



US00D476264S

(12) **United States Design Patent**
Yoneoka

(10) **Patent No.:** **US D476,264 S**

(45) **Date of Patent:** **** Jun. 24, 2003**

(54) **SLIDER FOR A SLIDE FASTENER**

D444,417 S * 7/2001 Yoneoka D11/221

(75) Inventor: **Morimasa Yoneoka**, Toyama-ken (JP)

FOREIGN PATENT DOCUMENTS

(73) Assignee: **YKK Corporation**, Tokyo (JP)

GB 2 047 289 9/1995

(**) Term: **14 Years**

* cited by examiner

(21) Appl. No.: **29/158,765**

Primary Examiner—Ralf Seifert

(22) Filed: **Apr. 9, 2002**

(74) *Attorney, Agent, or Firm*—Bell, Boyd & Lloyd LLC

(30) **Foreign Application Priority Data**

(57) **CLAIM**

Oct. 17, 2001 (JP) 2001-030461

The ornamental design for a slider for a slide fastener, as shown and described.

(51) **LOC (7) Cl.** **02-07**

DESCRIPTION

(52) **U.S. Cl.** **D11/221**

FIG. 1 is a front elevational view of a slider for a slide fastener of the claimed design;

(58) **Field of Search** D11/200, 221;
24/415–417, 419, 421, 427–431, 381

FIG. 2 is a back elevational view of the design of FIG. 1;

FIG. 3 is a top view of the design of FIG. 1;

FIG. 4 is a bottom view of the design of FIG. 1;

FIG. 5 is a right-side view of the design of FIG. 1 and the left-side view is symmetrical to the right-side view;

FIG. 6 is a cross-sectional view of the design of FIG. 1, taken on section lines 6–6 of FIG. 1; and,

FIG. 7 is a cross-sectional view of the design of FIG. 5, taken on section lines 7–7 of FIG. 5.

(56) **References Cited**

U.S. PATENT DOCUMENTS

- D254,761 S * 4/1980 Davis D11/221
- D291,546 S * 8/1987 Oda D11/221
- D378,072 S * 2/1997 Mizuno D11/221
- D386,720 S 11/1997 Yaguramaki
- D388,022 S 12/1997 Yaguramaki
- D441,319 S * 5/2001 Yoneoka D11/221

1 Claim, 3 Drawing Sheets

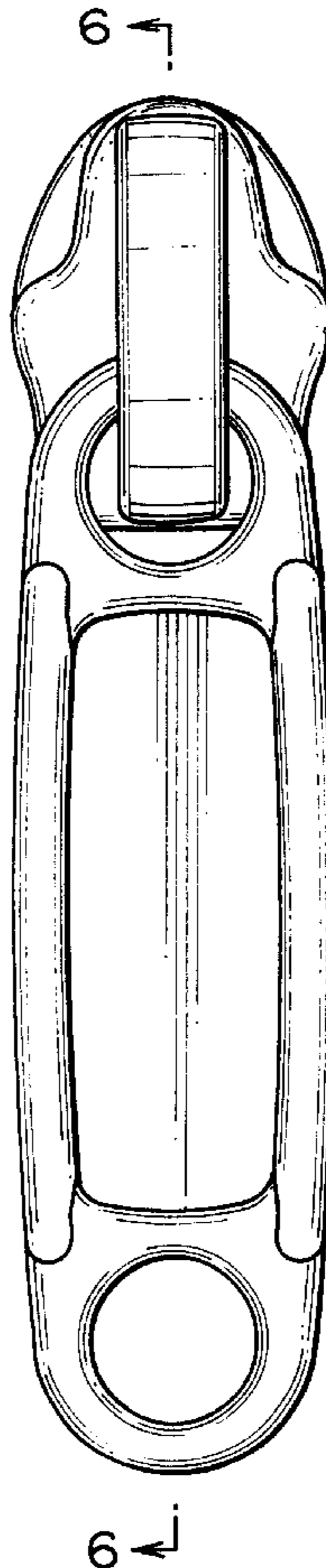


FIG. 1

FIG. 2

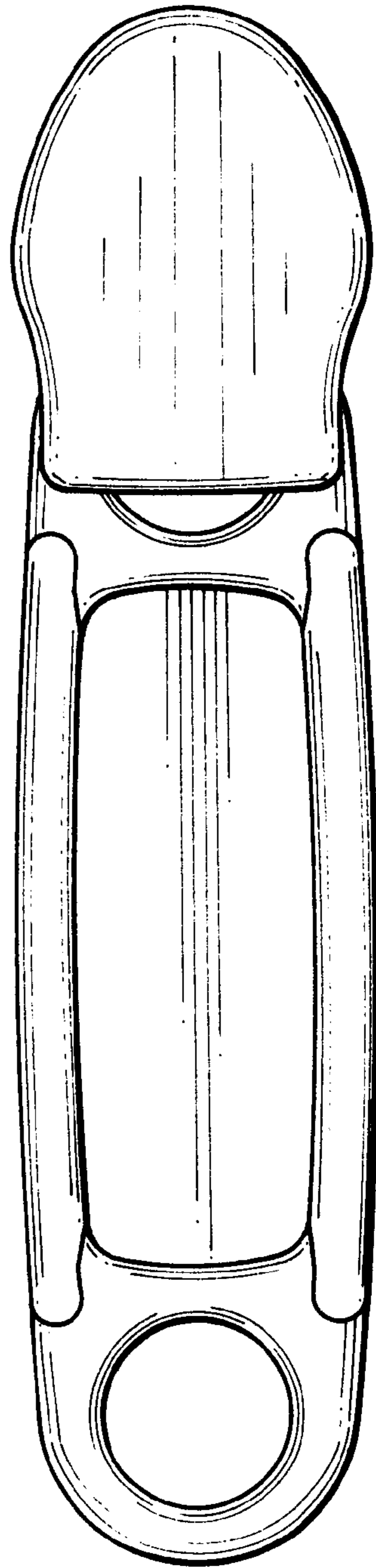
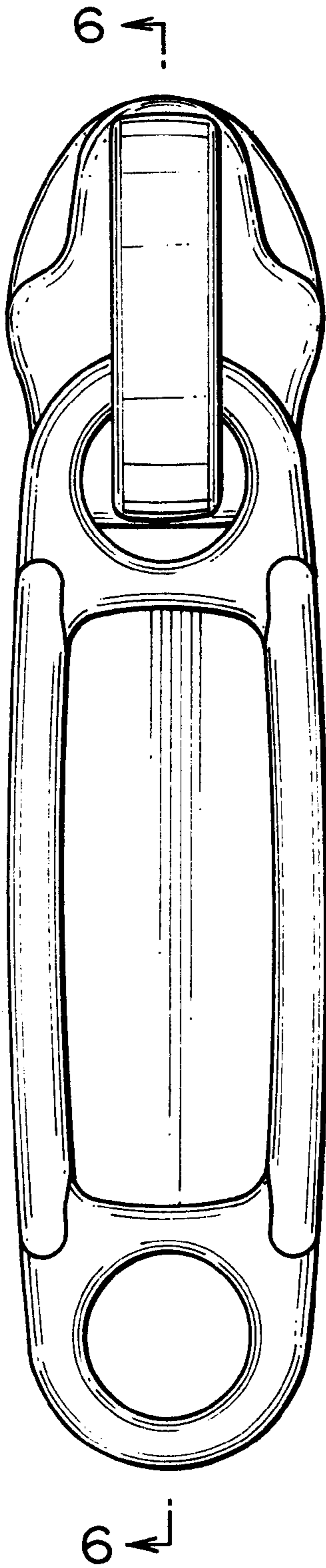


FIG. 3

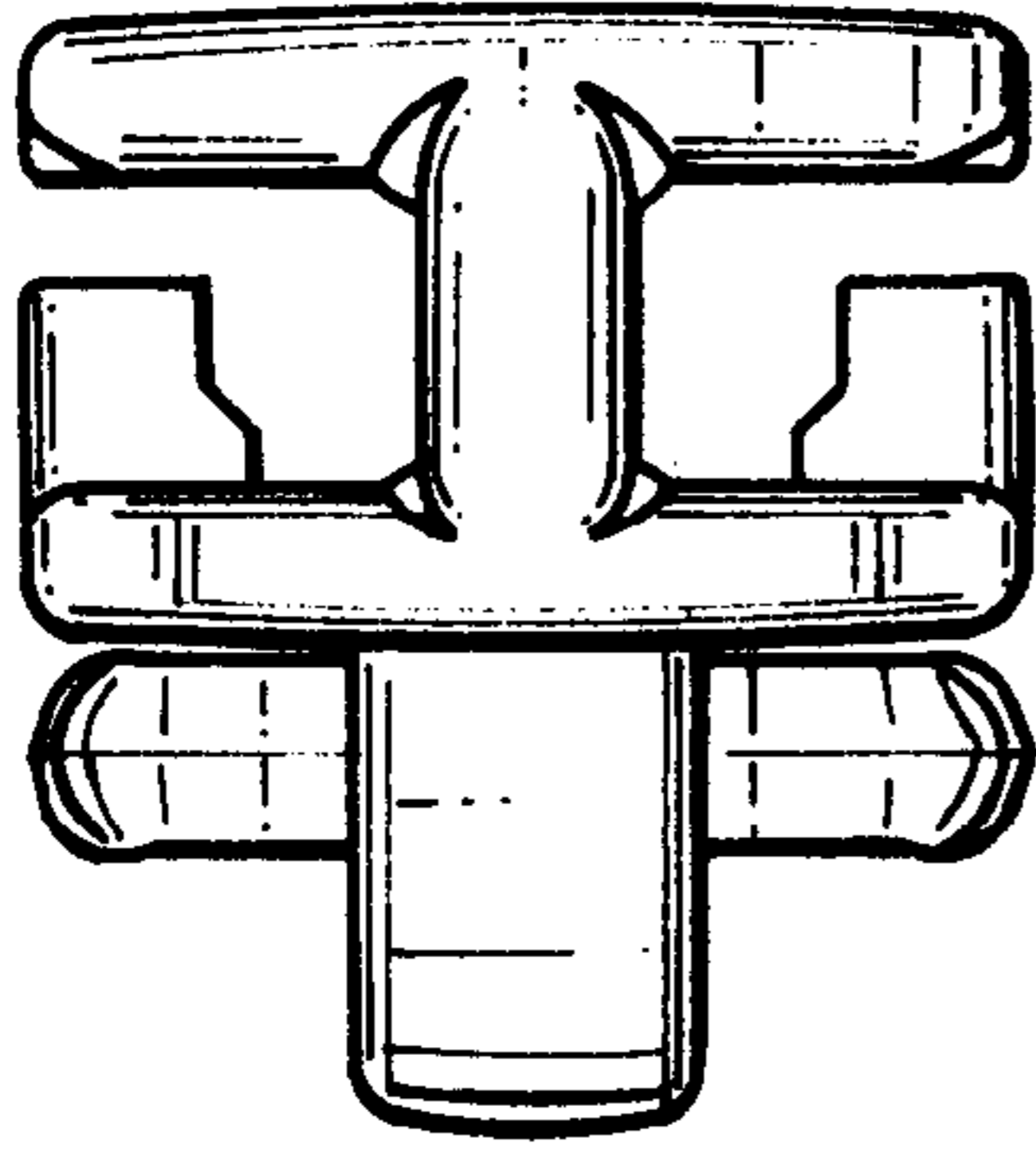


FIG. 5

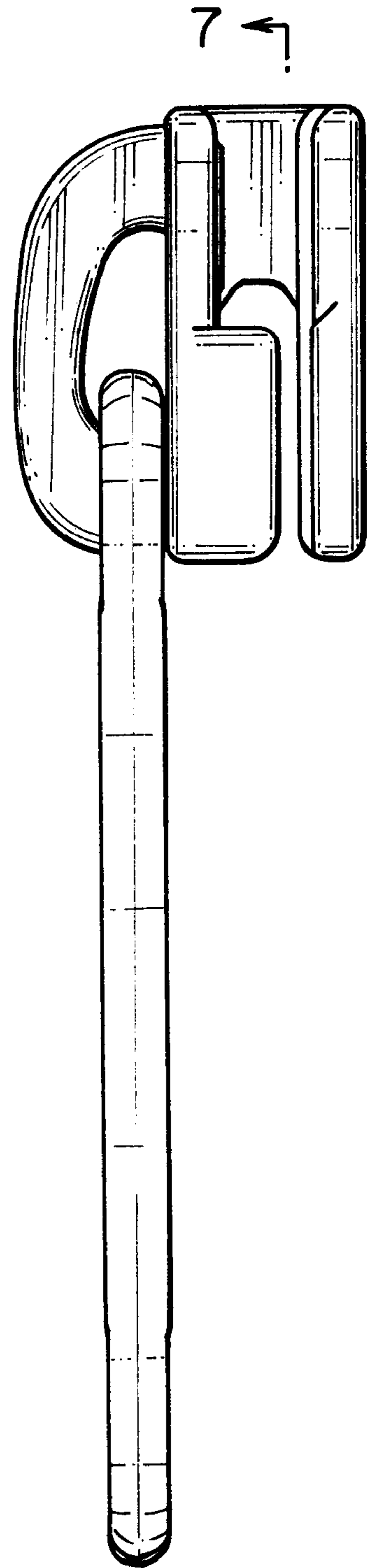


FIG. 4

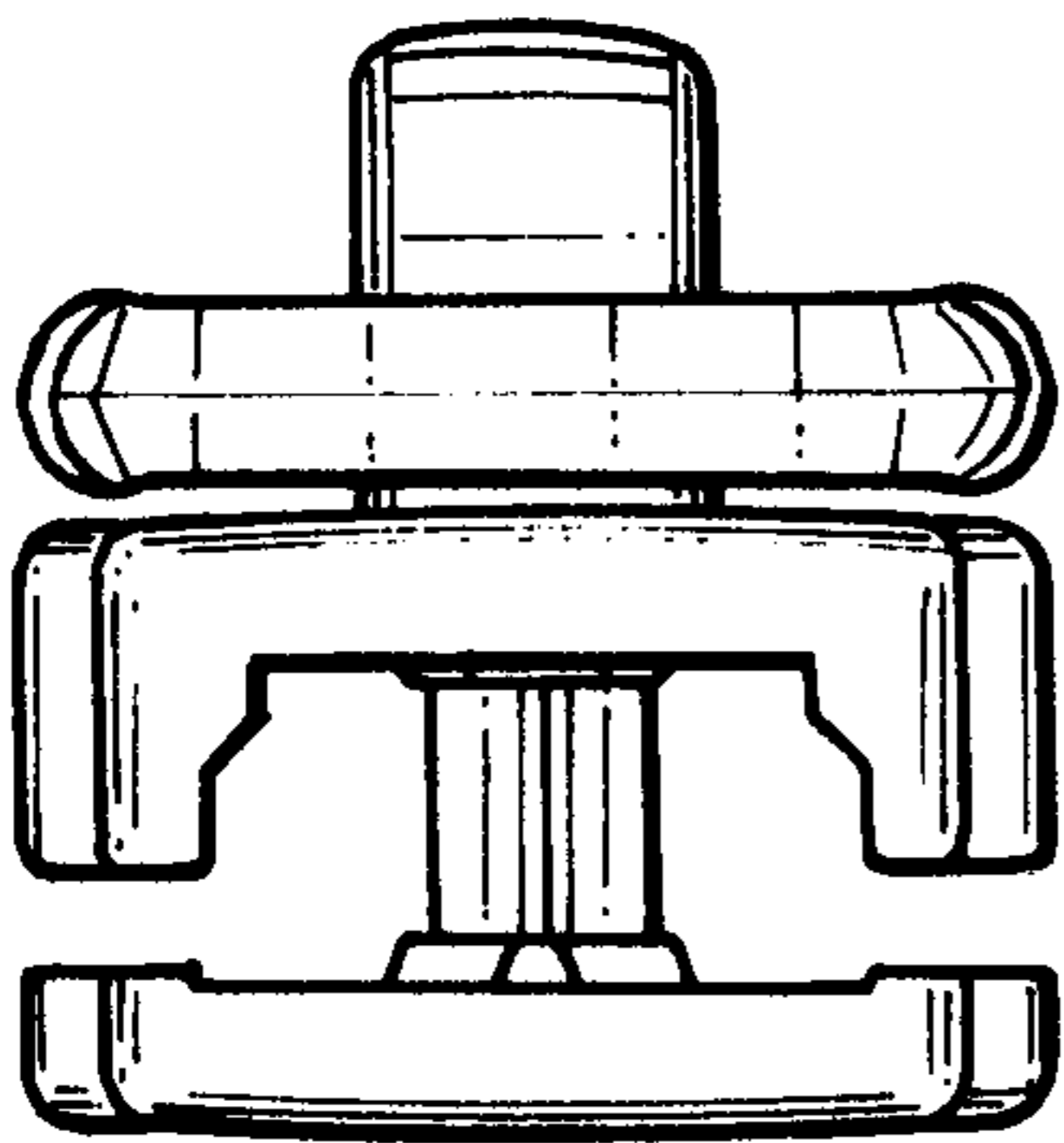


FIG. 6

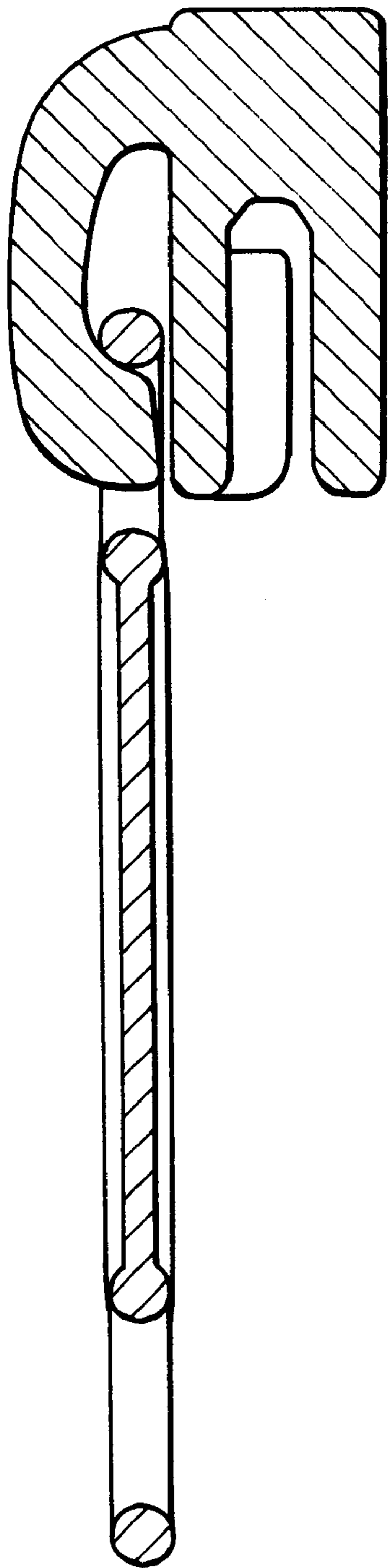


FIG. 7

