



US00D476263S

(12) **United States Design Patent**
Walters

(10) **Patent No.:** **US D476,263 S**
(45) **Date of Patent:** **** Jun. 24, 2003**

(54) **JEWELRY MOUNT**

(75) Inventor: **Jacquelyn Leigh Walters**, Kitchener (CA)

(73) Assignee: **Italix Inc.**, Kitchener (CA)

(**) Term: **14 Years**

(21) Appl. No.: **29/156,538**

(22) Filed: **Mar. 5, 2002**

(30) **Foreign Application Priority Data**

Mar. 4, 2002 (CA) 98831

(51) **LOC (7) Cl.** **02-07**

(52) **U.S. Cl.** **D11/200**

(58) **Field of Search** D11/200-204,
D11/215, 218, 78.1, 86, 87; 2/336, 338;
24/163 K, 198, 66.9, 68 J, 563, 545, 336,
302; 63/26, 21, 22; 450/86

(56) **References Cited**

U.S. PATENT DOCUMENTS

298,408 A	5/1884	Ropp	
D55,081 S *	5/1920	Rounseville	D11/218
1,422,658 A	7/1922	Brooks	
1,422,872 A	7/1922	Loman	
D64,148 S *	3/1924	Shields	D11/218
1,489,731 A	4/1924	Baldwin	
1,764,175 A *	6/1930	Kerkhoff	24/198
D249,878 S *	10/1978	Sokoloski	D11/86
D353,559 S *	12/1994	Fildan	D11/200
D376,994 S *	12/1996	Norris	D11/218
5,590,545 A	1/1997	Norris	
5,935,044 A *	8/1999	Brewster	24/545

OTHER PUBLICATIONS

Swiss Watch Journal Apr. 2000 p. 21 Pierre Balmain B. Crazy Watch.*

Service Merchandise 1991/92 p. 105 item #25 plain puffed heart and #26 heart set with stones.*

Best Catalog 1991/92 Best Catalog 1991/92 p. 32 #1 and 2 split heart with single stone.*

HK Enterprise vol. 10 1998 p. 1057 earring with puffed heart and center stone.*

* cited by examiner

Primary Examiner—Louis S. Zarfaz

Assistant Examiner—Deanne Levy

(57) **CLAIM**

The ornamental design for a jewelry mount, as shown and described.

DESCRIPTION

FIG. 1 is a perspective view from the front of the jewelry mount showing my new design;

FIG. 2 is a perspective view from the back thereof;

FIG. 3 is a first side view thereof;

FIG. 4 is a front view thereof;

FIG. 5 is a second side view thereof;

FIG. 6 is a back view thereof;

FIG. 7 is a top view thereof;

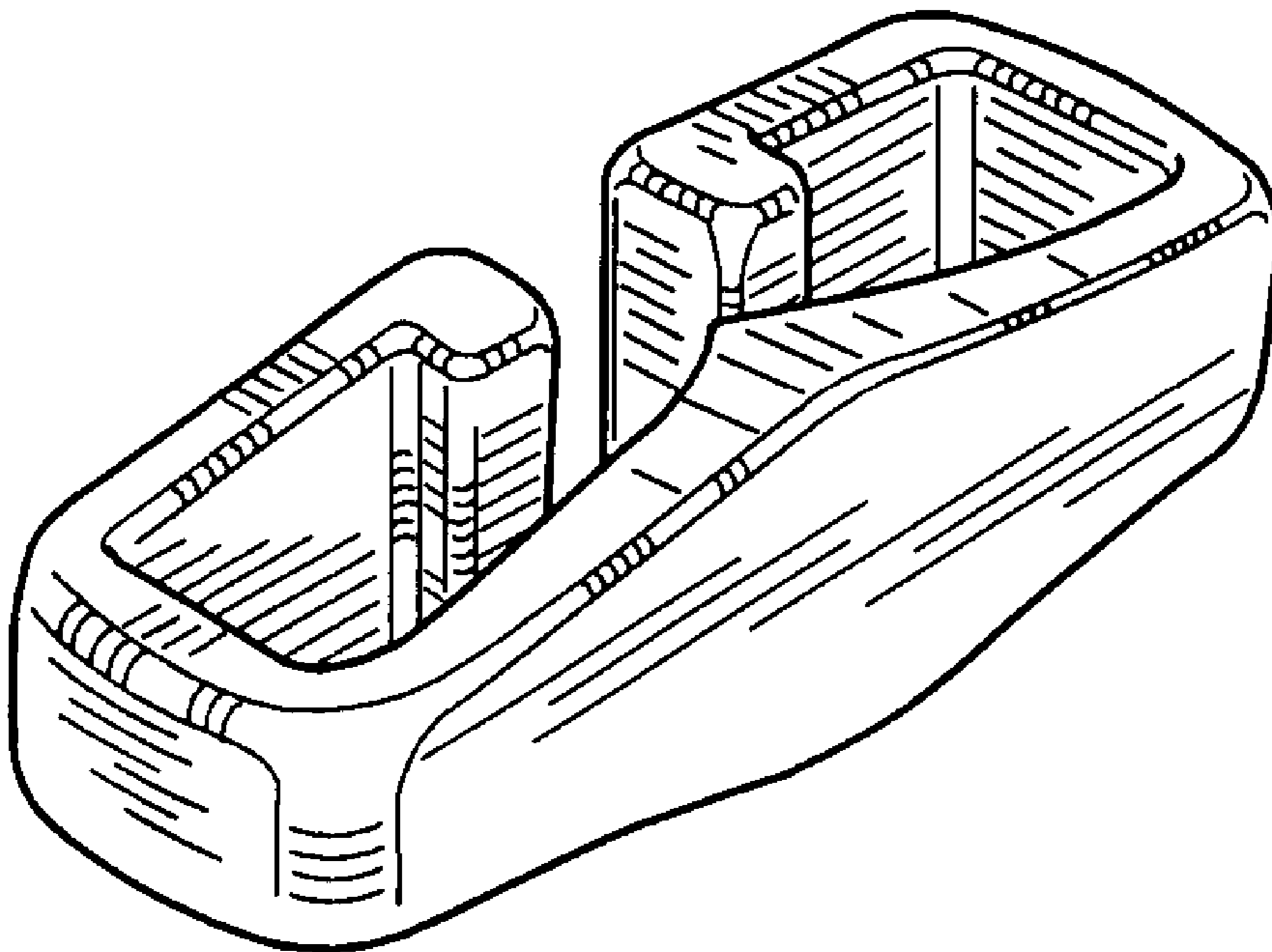
FIG. 8 is a bottom view thereof;

FIG. 9 is a front perspective view thereof, showing the jewelry mount in position on a strap; and,

FIG. 10 is a back perspective view thereof, showing the jewelry mount on the strap of FIG. 9.

The broken lines showing of environment are for illustrative purposes only and form no part of the claimed design.

1 Claim, 3 Drawing Sheets



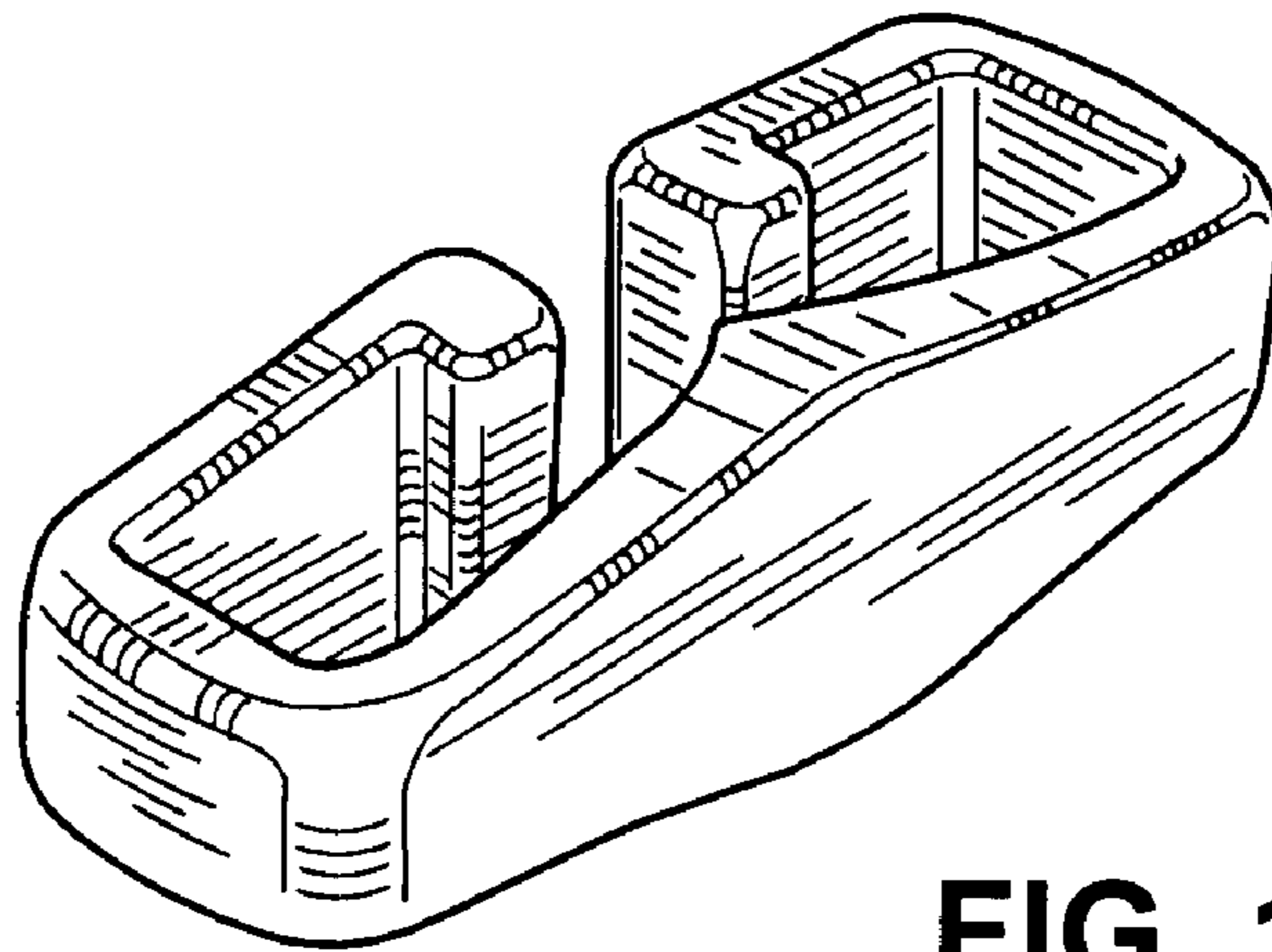


FIG. 1

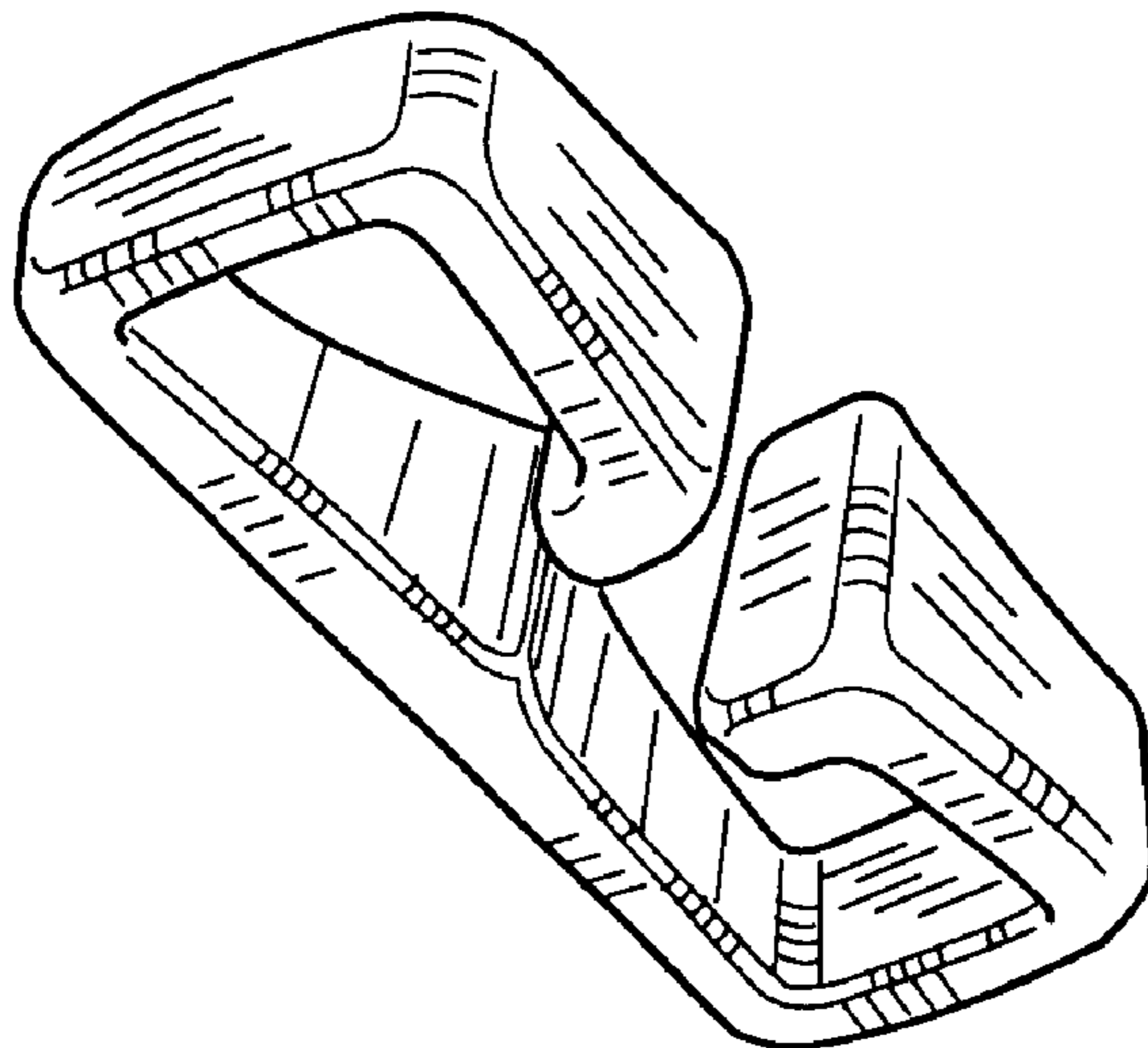


FIG. 2

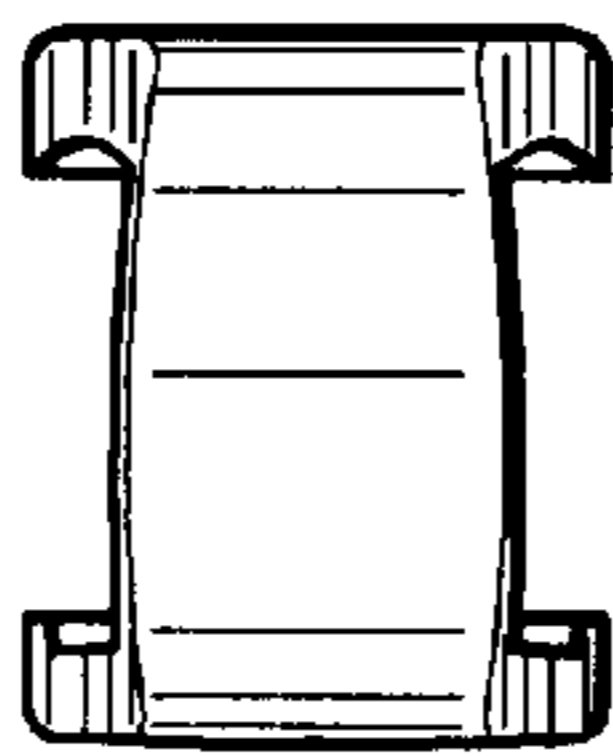


FIG. 3

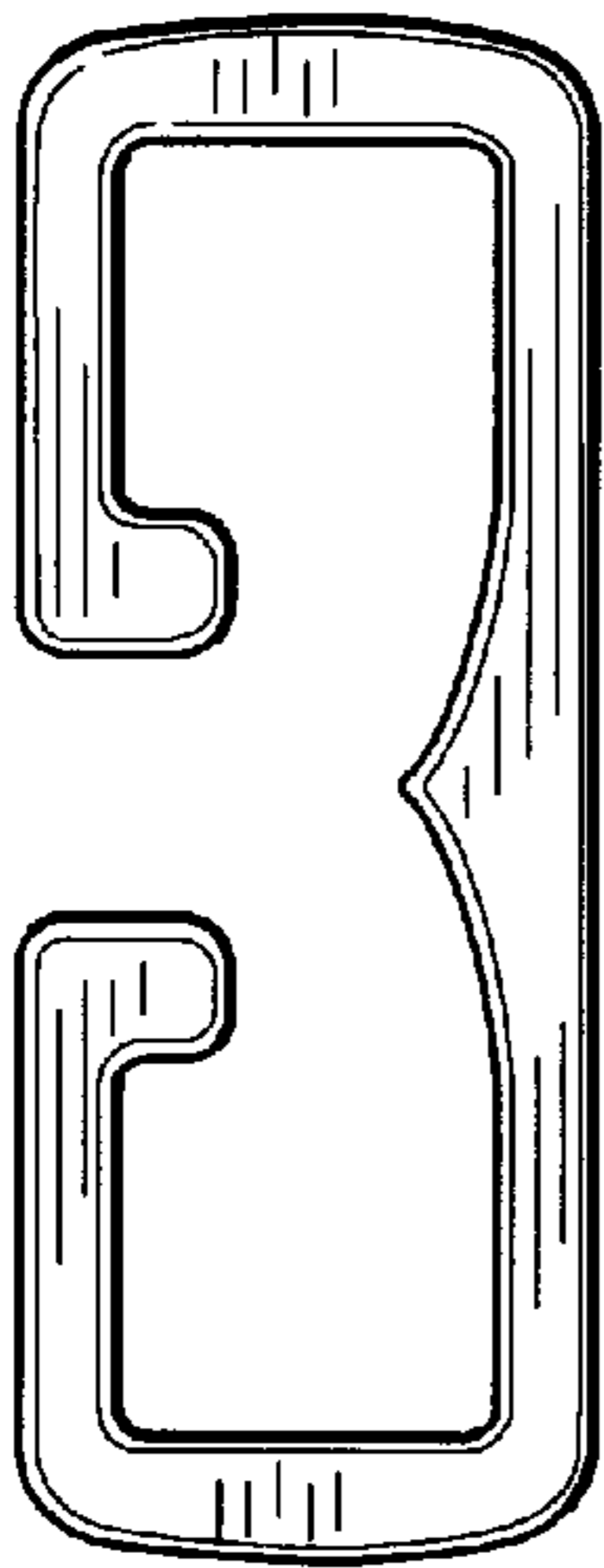


FIG. 7

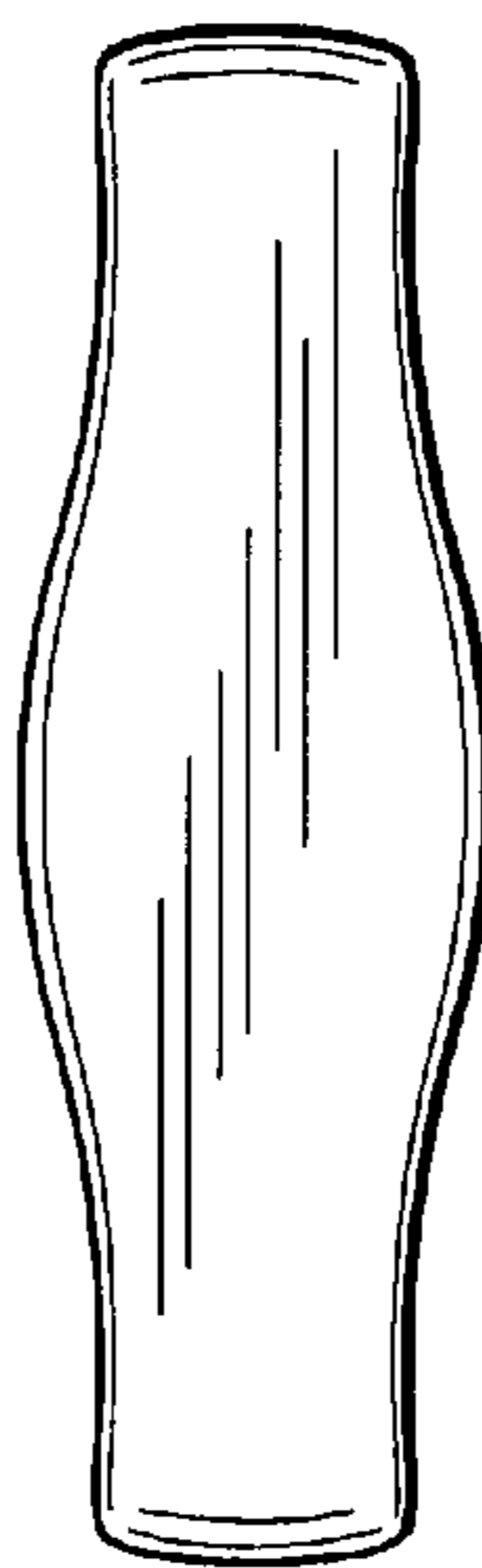


FIG. 4

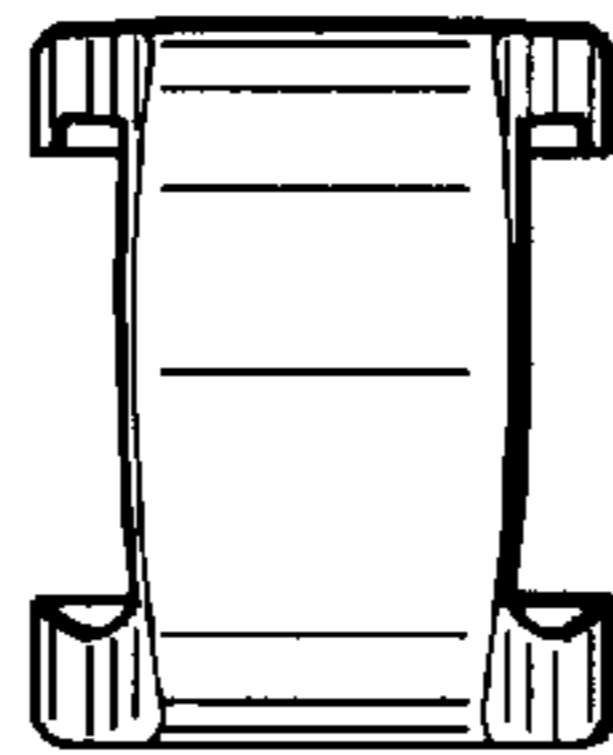


FIG. 5

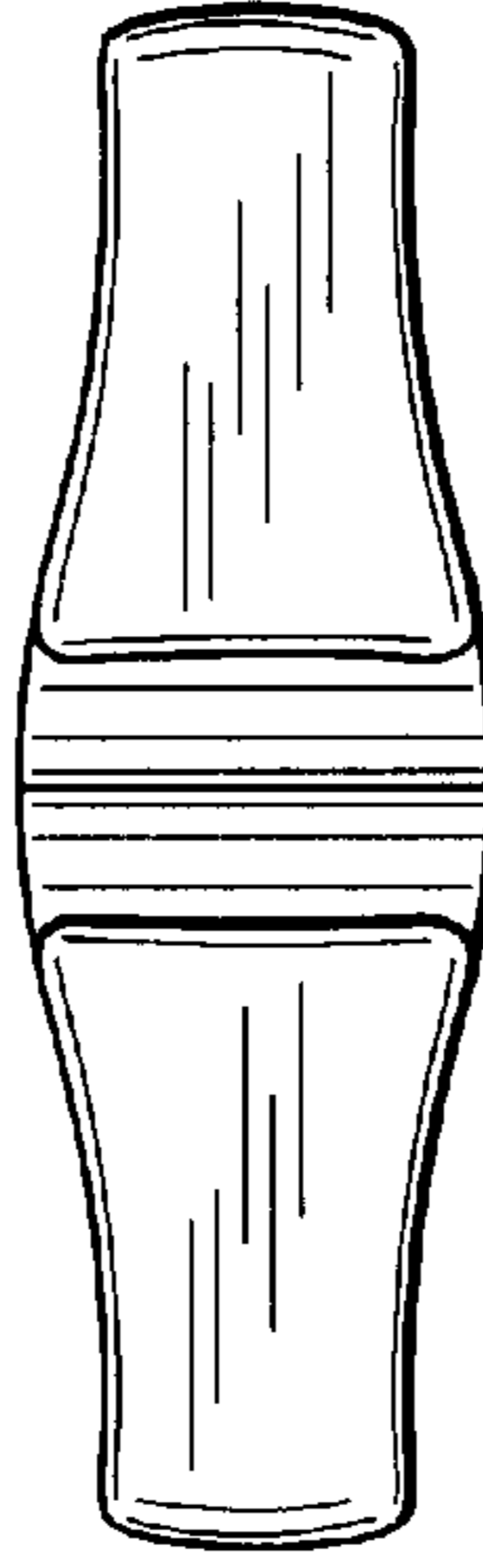


FIG. 6

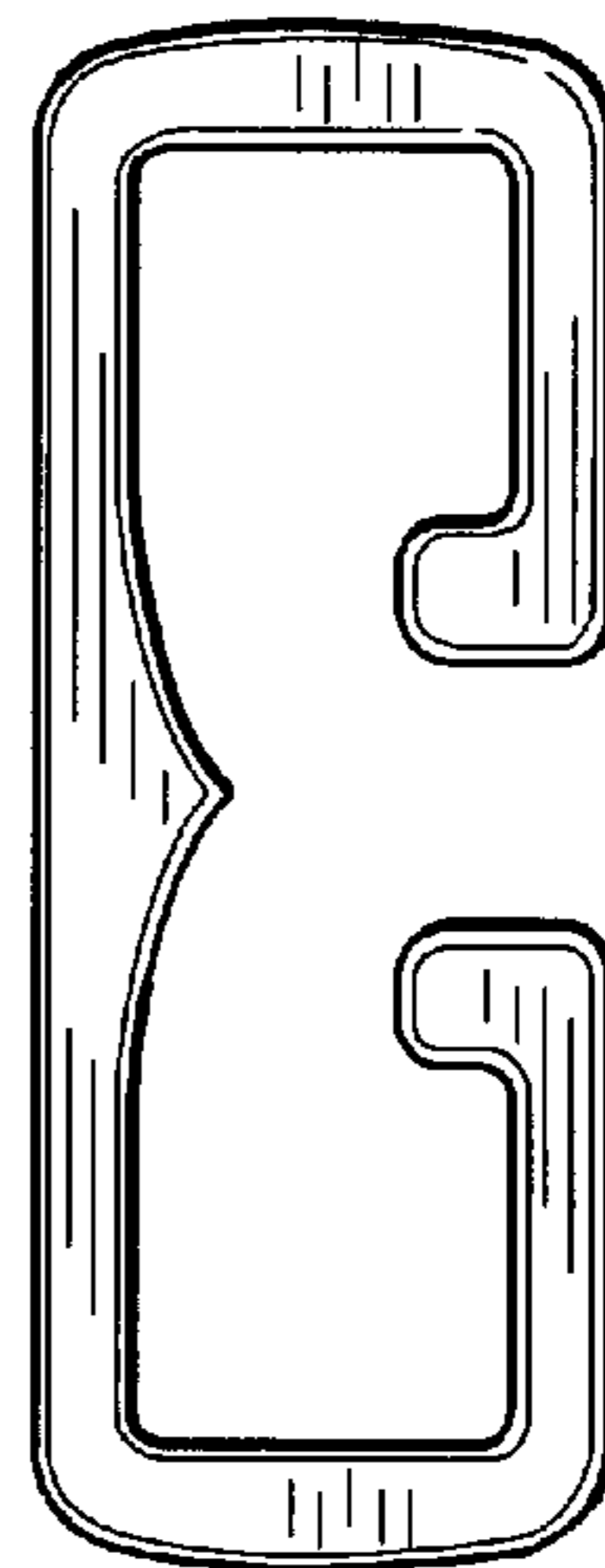


FIG. 8

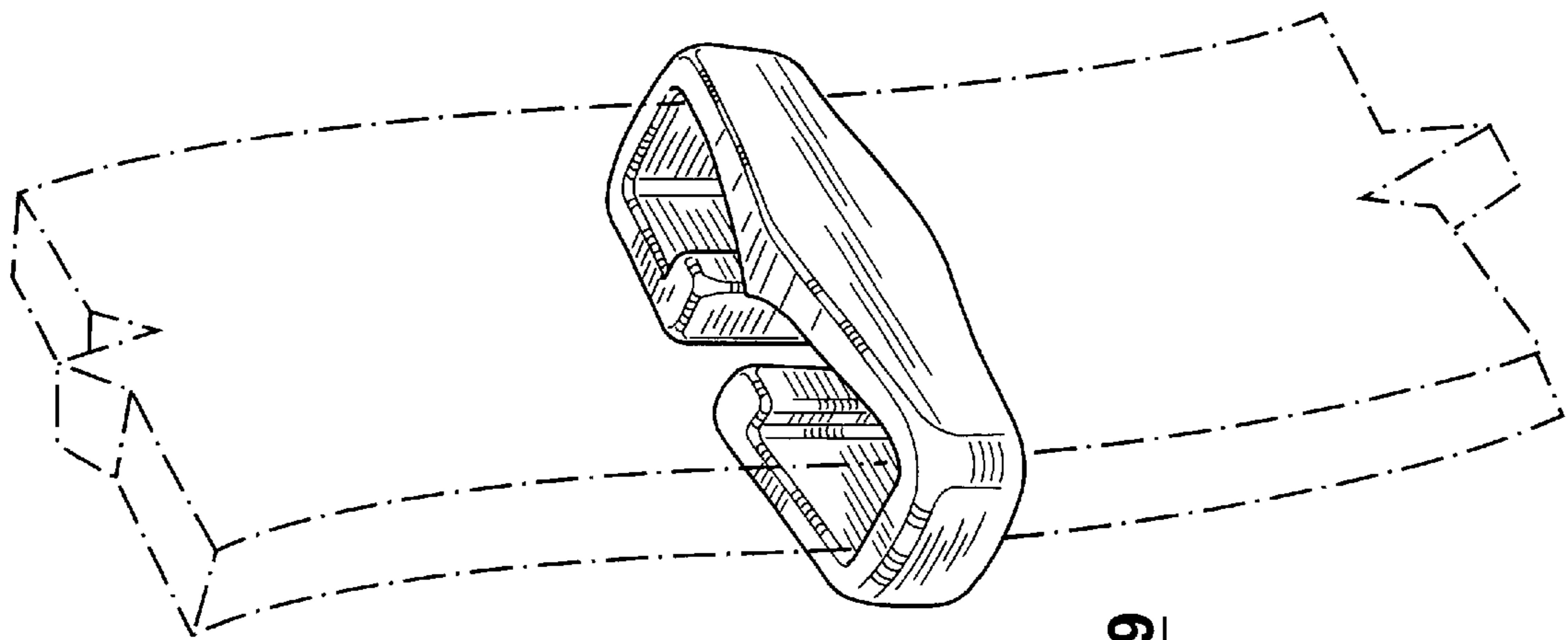


FIG. 9

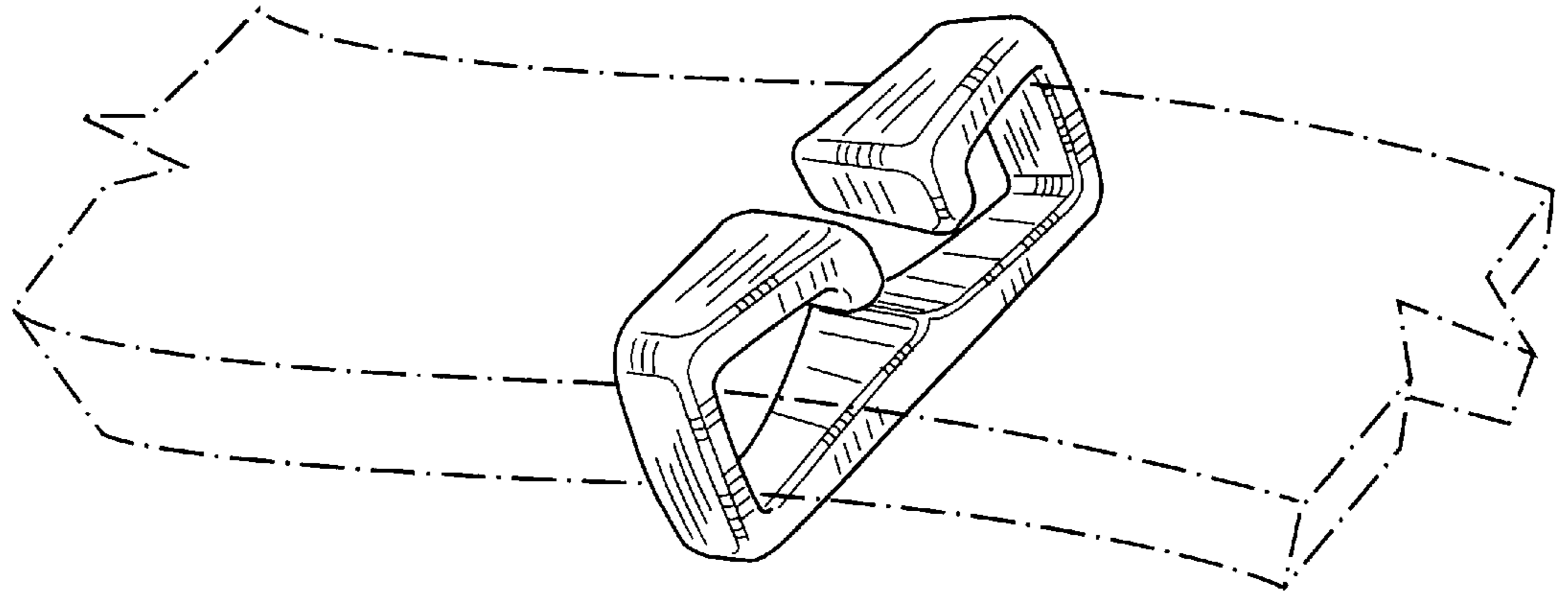


FIG. 10