



US00D476252S

(12) **United States Design Patent**
Runciman

(10) **Patent No.:** **US D476,252 S**

(45) **Date of Patent:** **** Jun. 24, 2003**

(54) **FIRE DETECTOR CASING**

(75) **Inventor:** **Dunstan Walter Runciman,**
Zeekoeivlei (ZA)

(73) **Assignee:** **GSBS Development Corporation,**
Charlotte, NC (US)

(**) **Term:** **14 Years**

(21) **Appl. No.:** **29/161,839**

(22) **Filed:** **Jun. 6, 2002**

(30) **Foreign Application Priority Data**

Dec. 6, 2001 (ZA) A2001/1300

(51) **LOC (7) Cl.** **10-05**

(52) **U.S. Cl.** **D10/106**

(58) **Field of Search** D10/106; 340/540,
340/545, 571-573, 577-578, 628-630

(56) **References Cited**

U.S. PATENT DOCUMENTS

D308,836 S * 6/1990 Fenne D10/106

D377,321 S * 1/1997 Tomizawa D10/106

6,166,648 A * 12/2000 Wiemeyer et al. 340/578 X

D446,741 S * 8/2001 Johnson et al. D10/106

* cited by examiner

Primary Examiner—Antoine Duval Davis

(74) *Attorney, Agent, or Firm*—Baker & Hostetler LLP

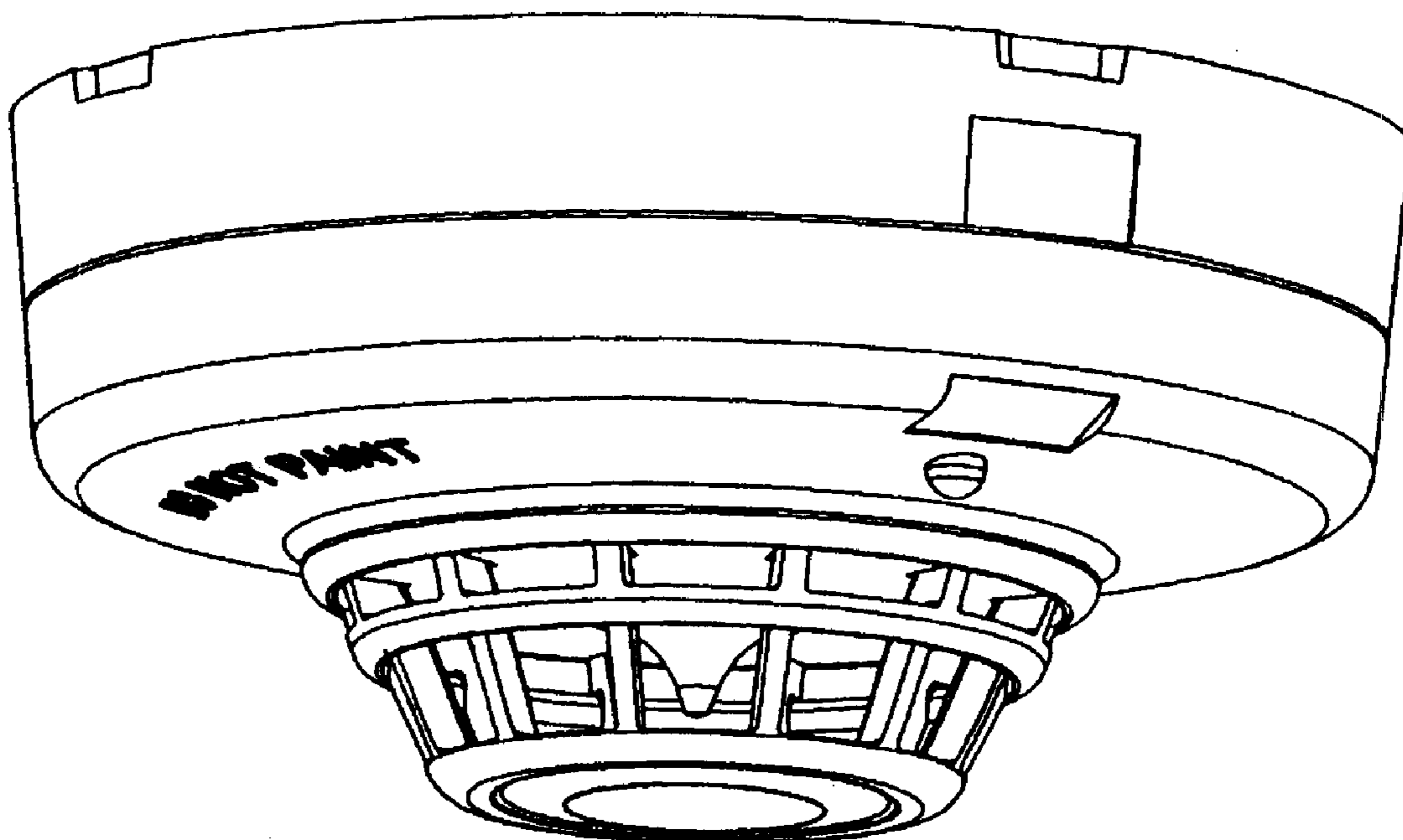
(57) **CLAIM**

The ornamental design for a fire detector casing, as shown and described.

DESCRIPTION

FIG. 1 is a perspective view of the side elevation of the casing, particularly showing the inventive design thereof; FIG. 2 is a bottom view thereof; FIG. 3 is a top view thereof; FIG. 4 is a front view thereof; FIG. 5 is a rear view thereof; FIG. 6 is a left view thereof; and, FIG. 7 is a right view thereof.

1 Claim, 7 Drawing Sheets



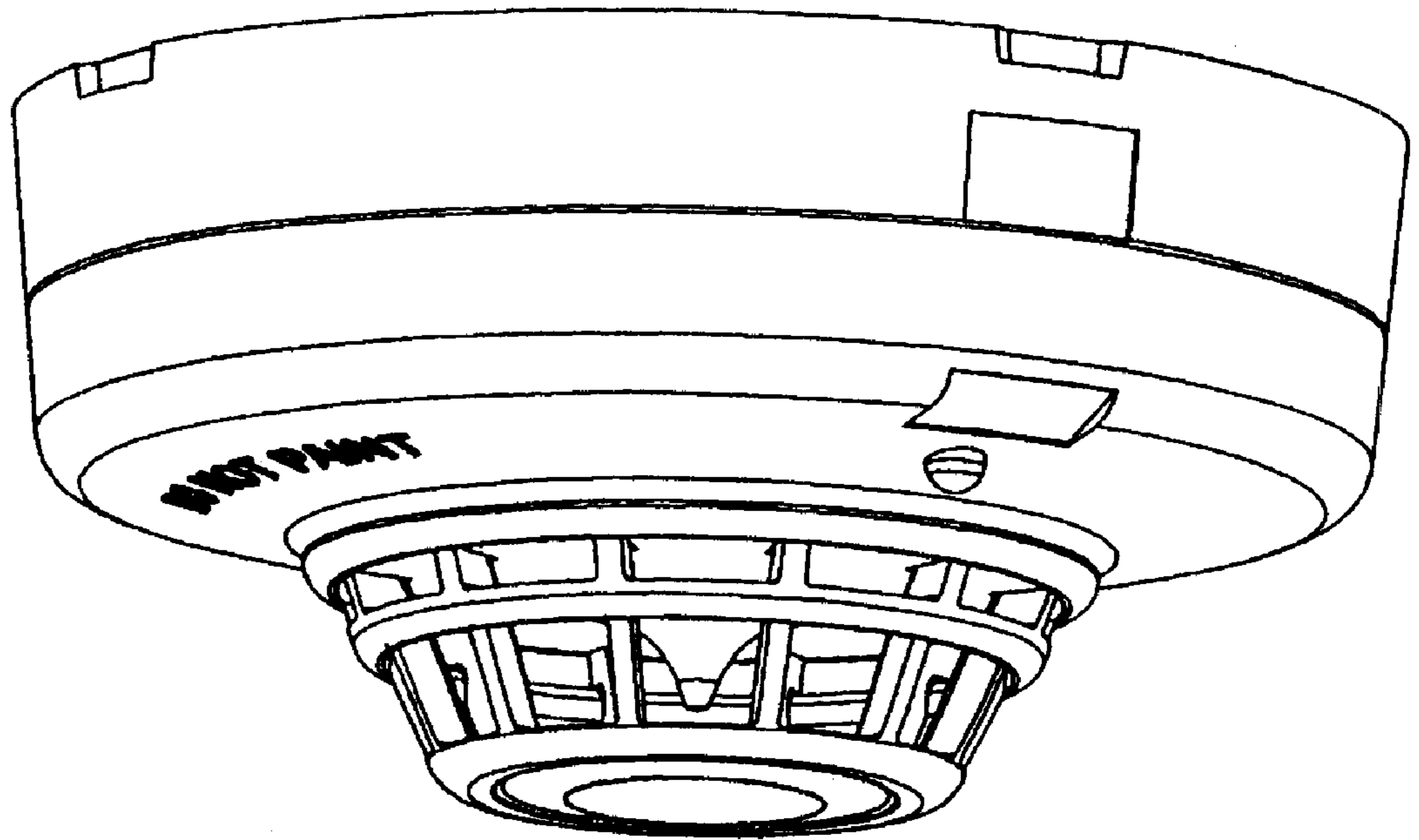


Fig. 1

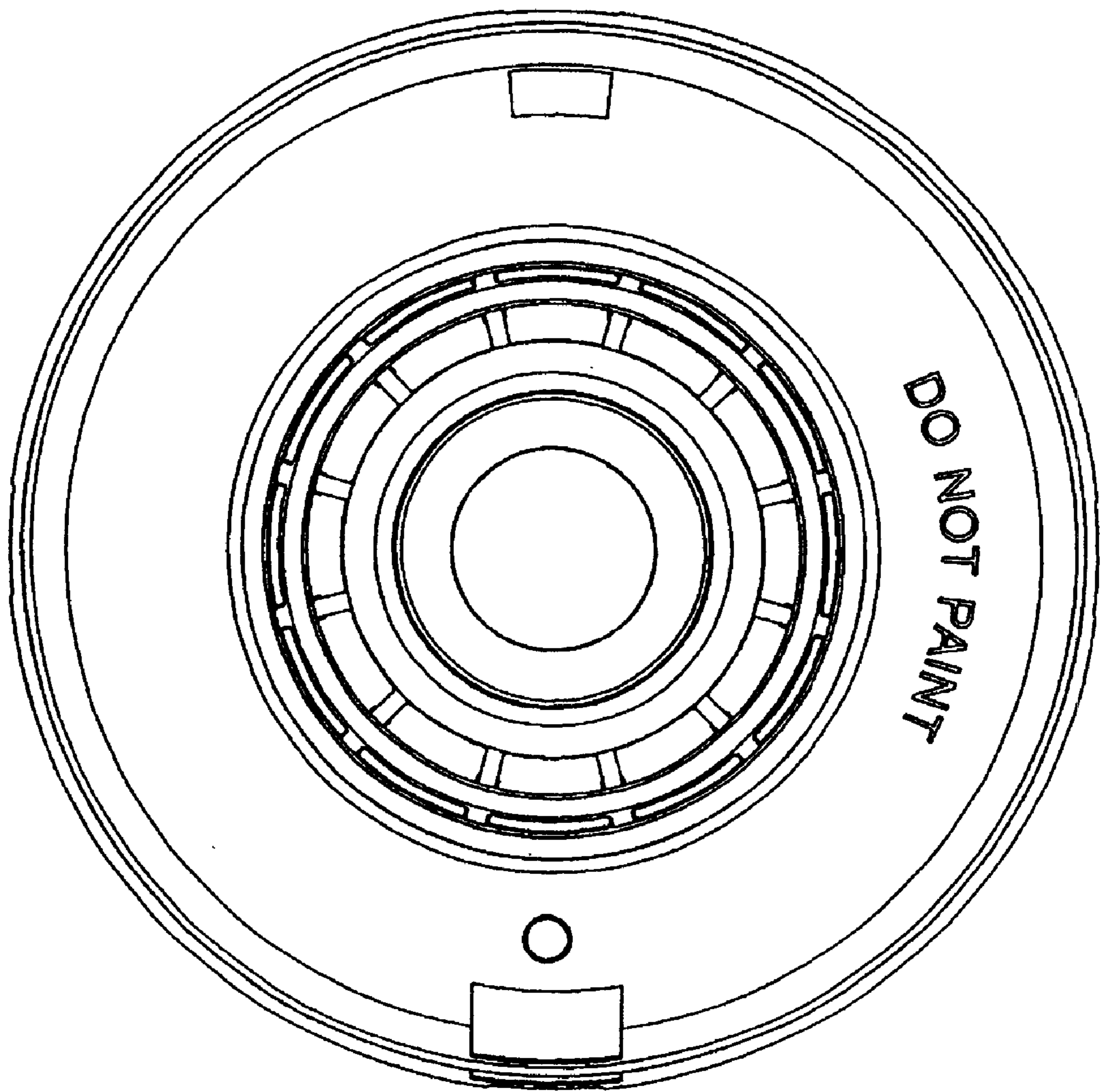


Fig. 2

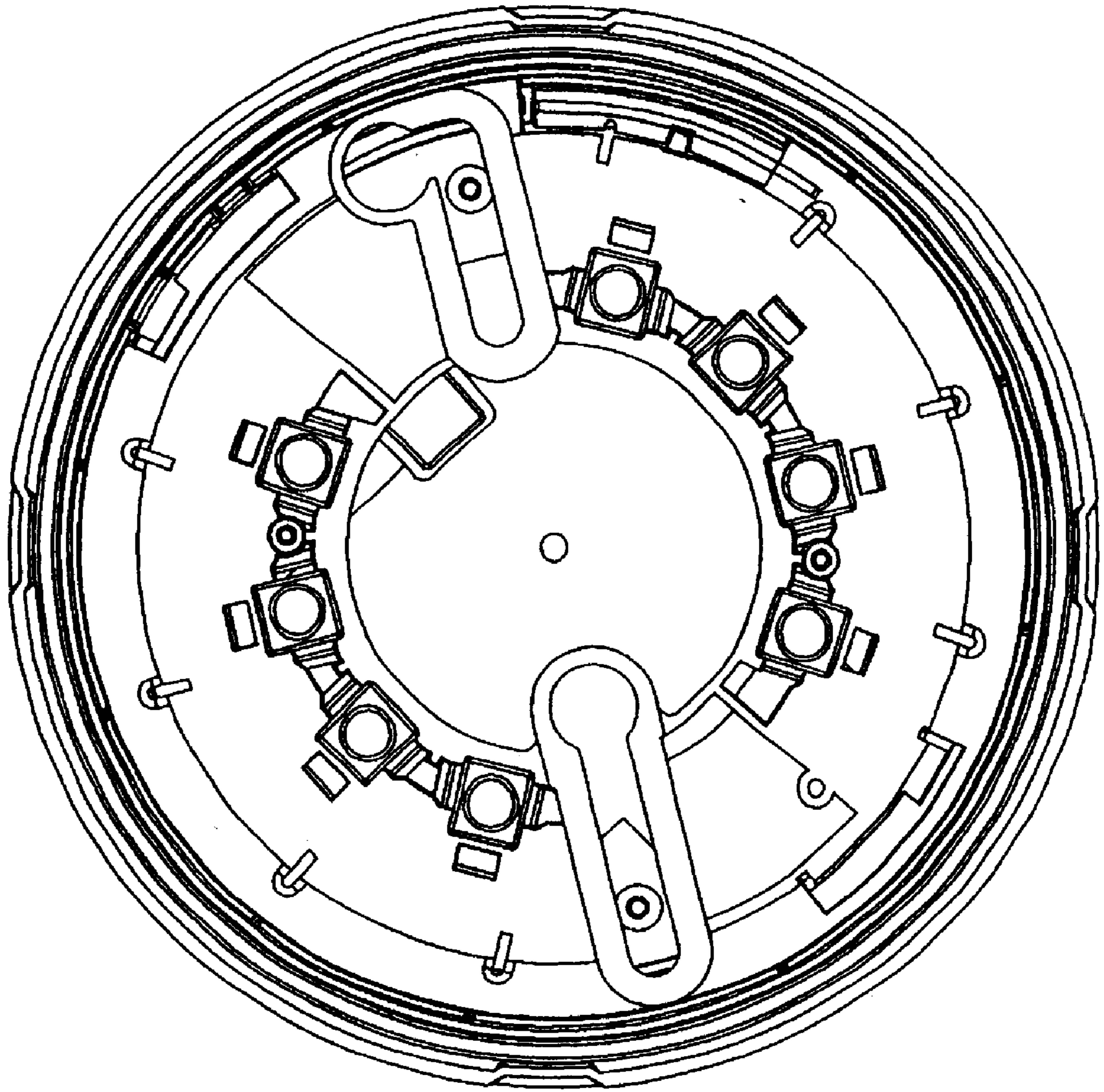


Fig. 3

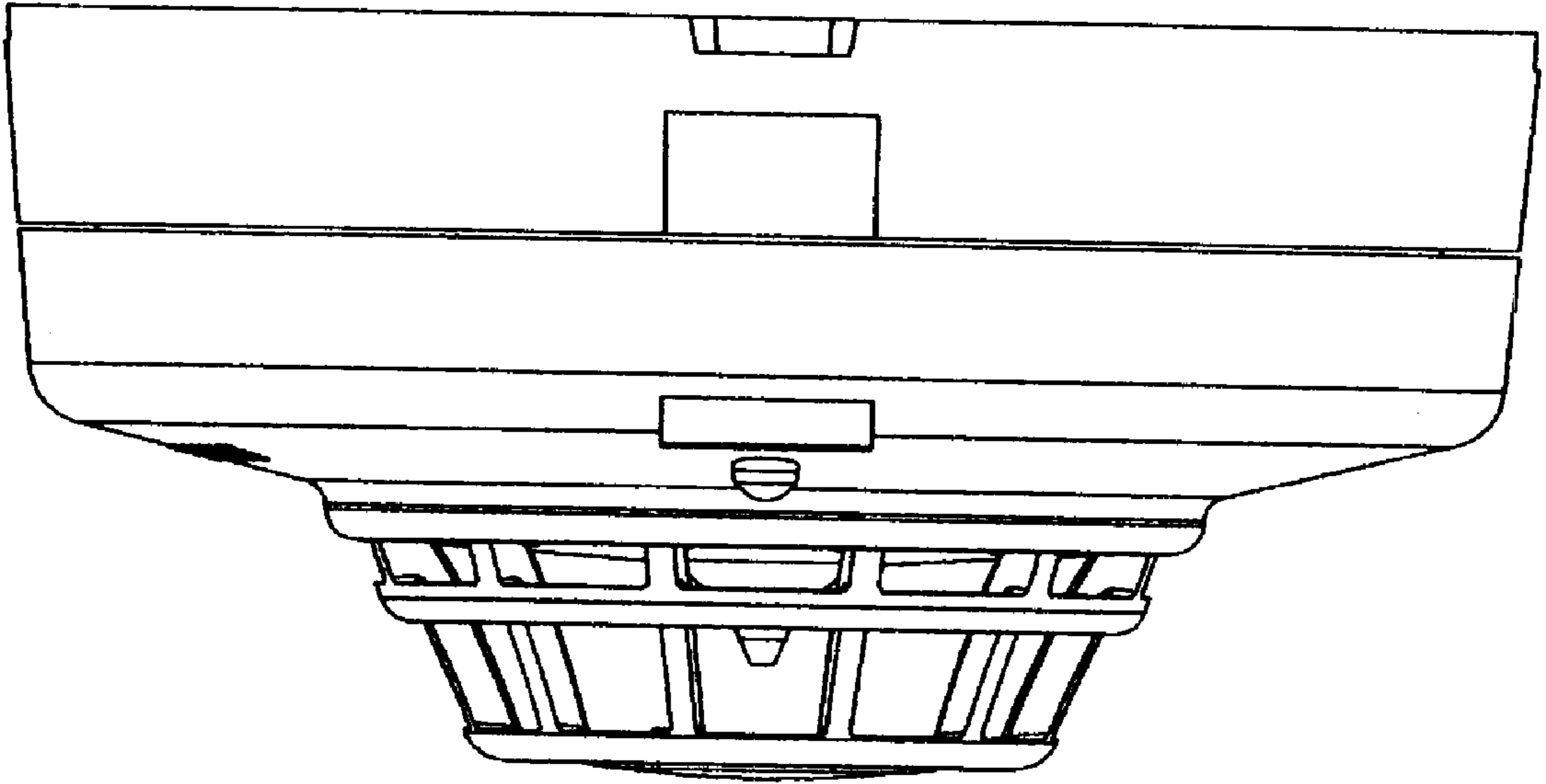


Fig. 4

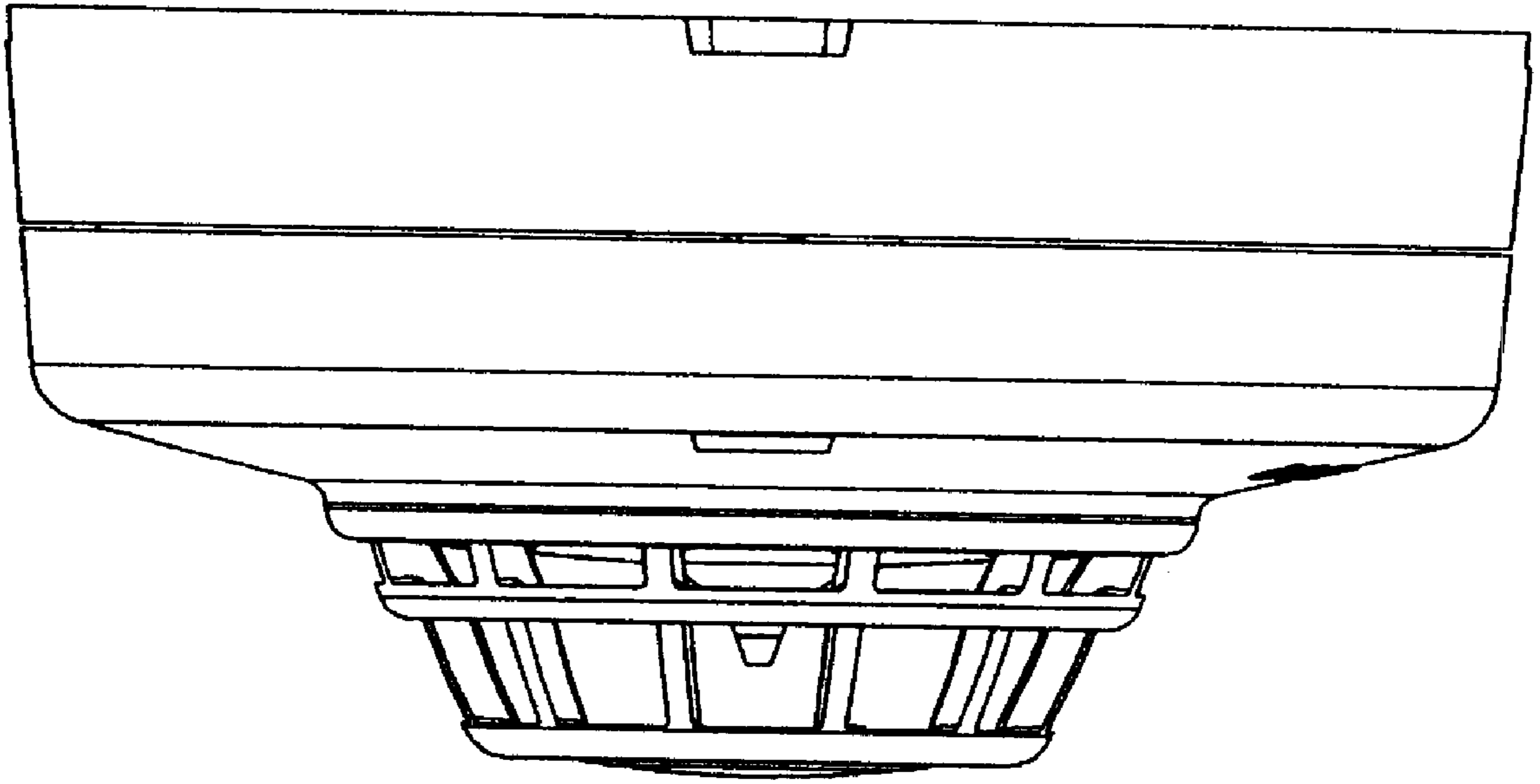


Fig. 5

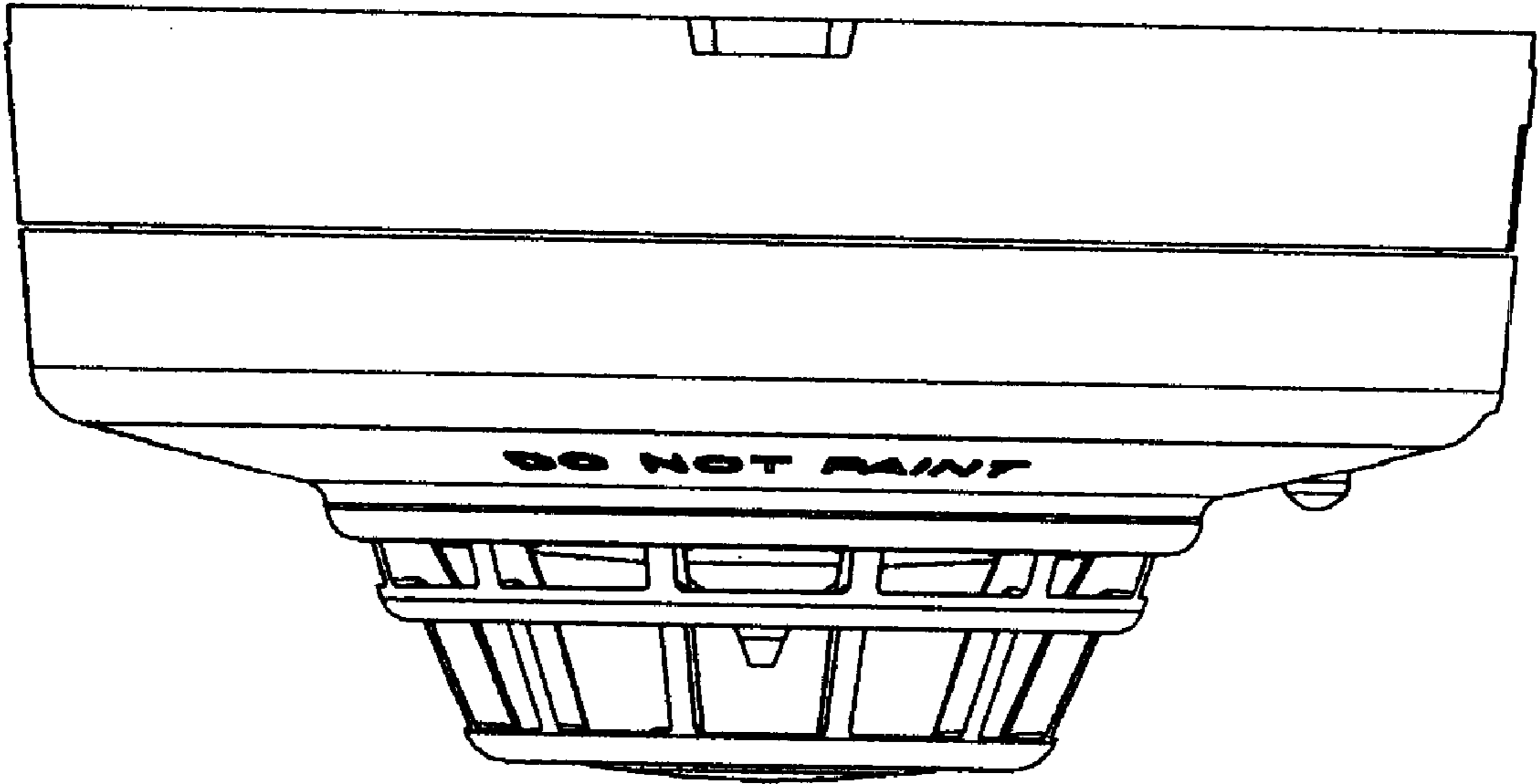


Fig. 6

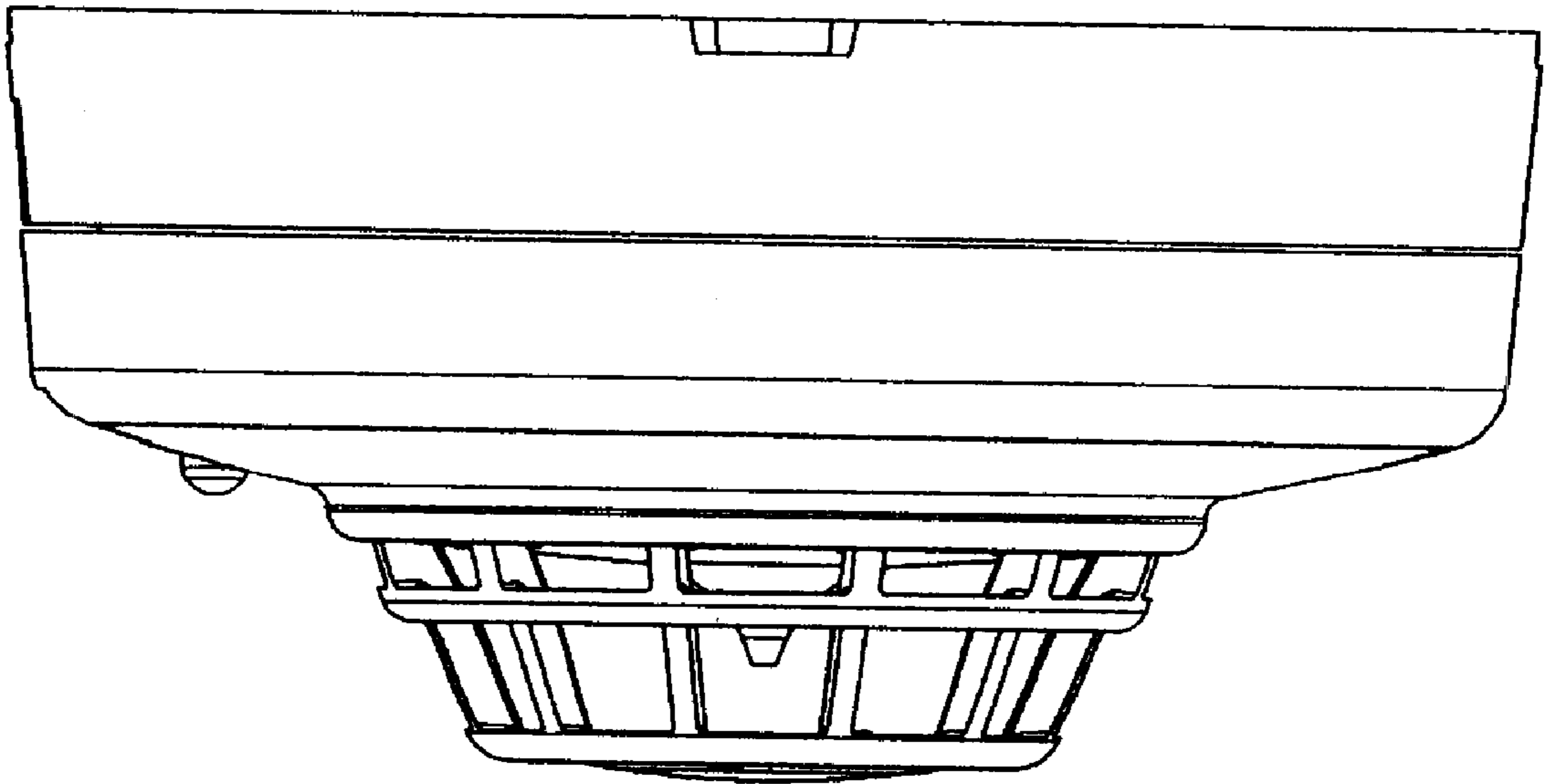


Fig. 7