



US00D476251S

(12) **United States Design Patent**
Ogawa et al.

(10) **Patent No.:** **US D476,251 S**
(45) **Date of Patent:** **** Jun. 24, 2003**

(54) **PEDOMETER**

FOREIGN PATENT DOCUMENTS

(75) Inventors: **Hiroshi Ogawa**, Kyoto (JP); **Nobuo Kubo**, Kyoto (JP)

JP 1110286 6/2001

* cited by examiner

(73) Assignee: **Omron Corporation**, Kyoto (JP)

Primary Examiner—Antoine Duval Davis

(**) Term: **14 Years**

(74) *Attorney, Agent, or Firm*—Dickstein, Shapiro, Morin & Oshinsky LLP

(21) Appl. No.: **29/163,542**

(57) **CLAIM**

(22) Filed: **Jul. 9, 2002**

The ornamental design for a pedometer, as shown and described.

(51) **LOC (7) Cl.** **10-04**

(52) **U.S. Cl.** **D10/98; D10/70**

(58) **Field of Search** D10/98, 70; 235/95 C, 235/105; 324/160–180; 377/5, 24.2, 26; 702/160, 144, 176

DESCRIPTION

FIG. 1 is a perspective view showing our new design for a pedometer;

FIG. 2 is a top side view of the pedometer of FIG. 1;

FIG. 3 is a bottom side view of the pedometer of FIG. 1;

FIG. 4 is a right side view of the pedometer of FIG. 1;

FIG. 5 is a front view of the pedometer of FIG. 1; and,

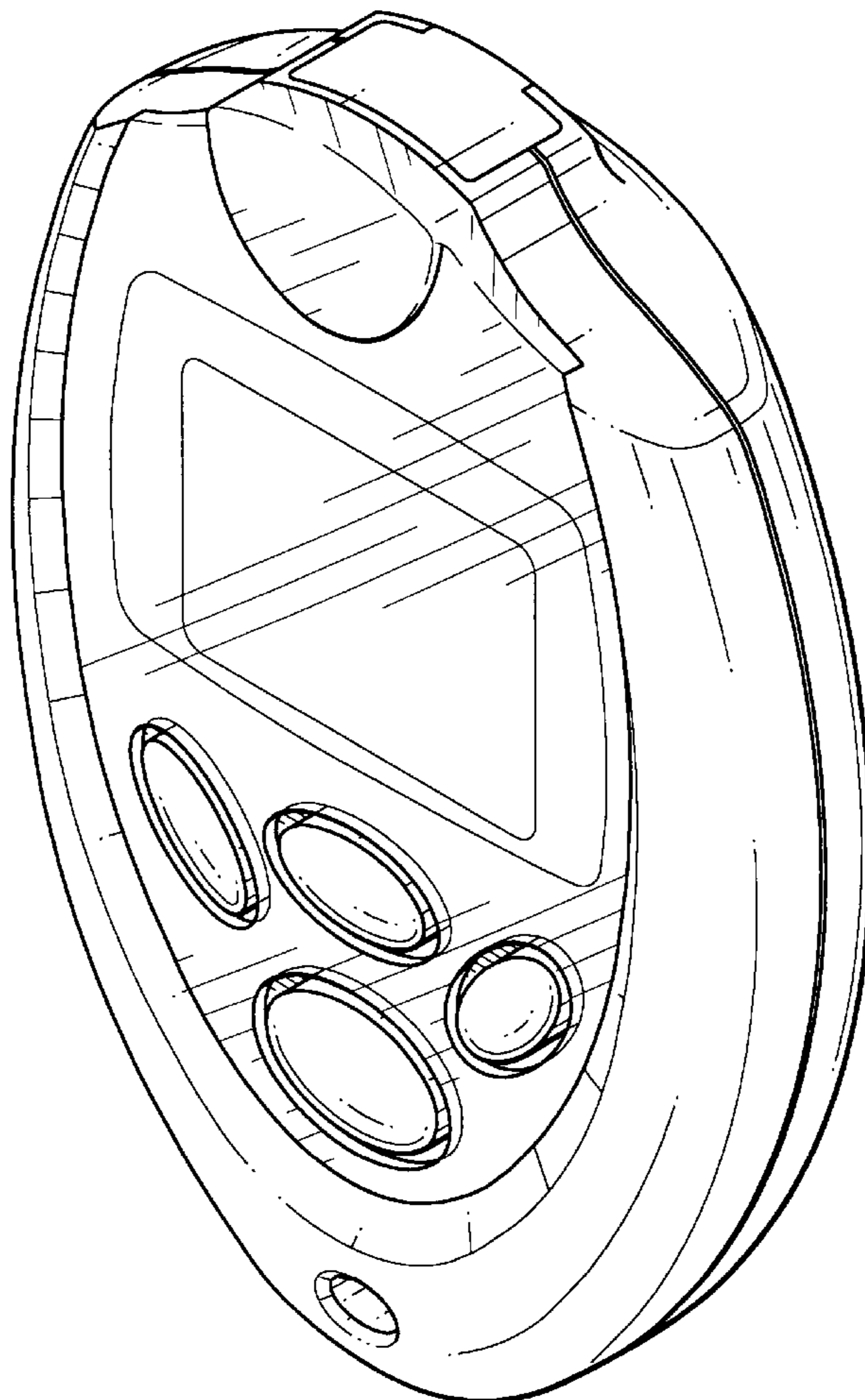
FIG. 6 is a back view of the pedometer of FIG. 1.

(56) **References Cited**

U.S. PATENT DOCUMENTS

D414,439 S *	9/1999	Sugino	D10/98
6,182,010 B1 *	1/2001	Berstis	701/211
6,349,126 B2 *	2/2002	Ogawa et al.	377/24.2
6,493,652 B1 *	12/2002	Ohlenbusch et al.	702/160

1 Claim, 5 Drawing Sheets



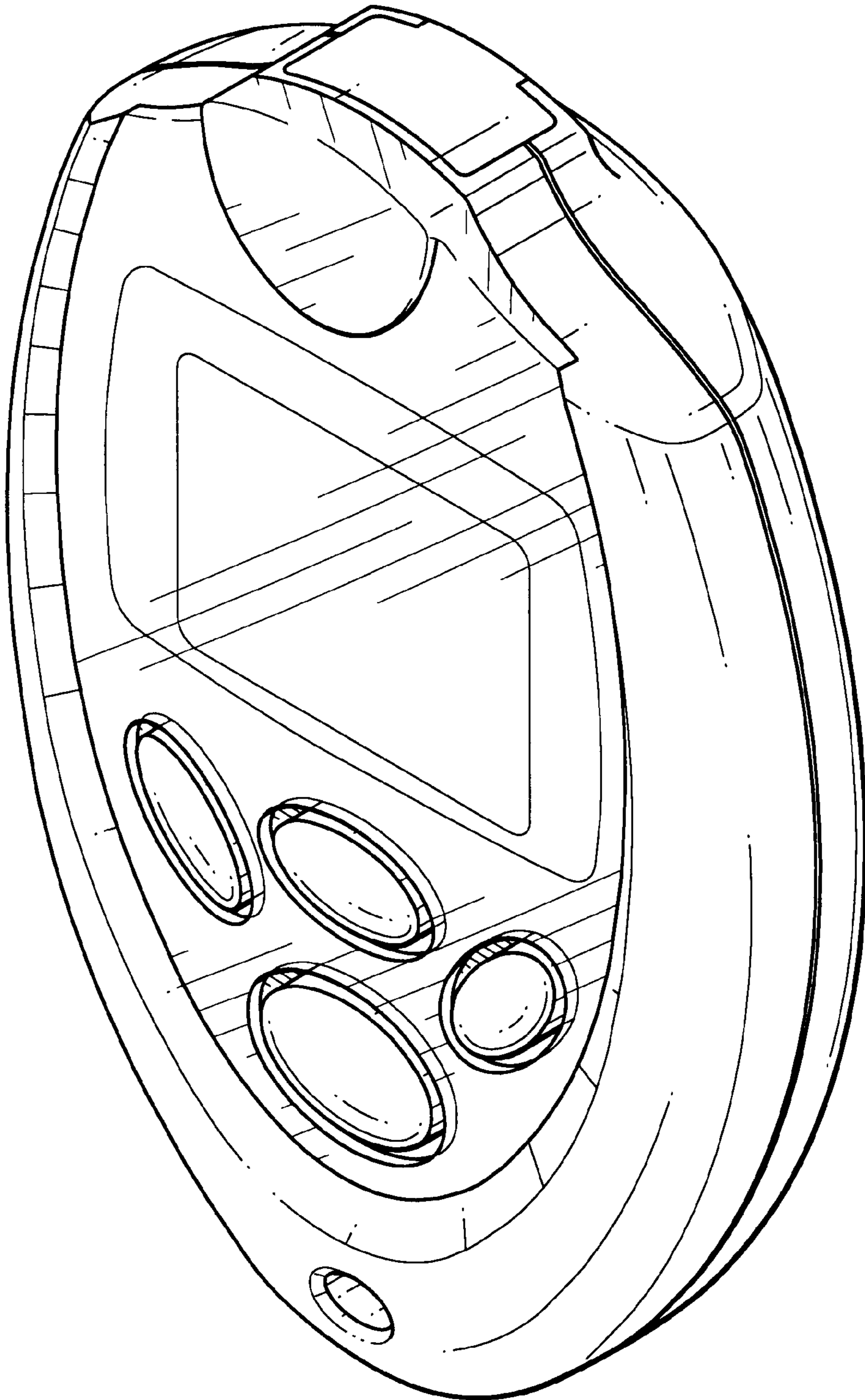


FIG. 1

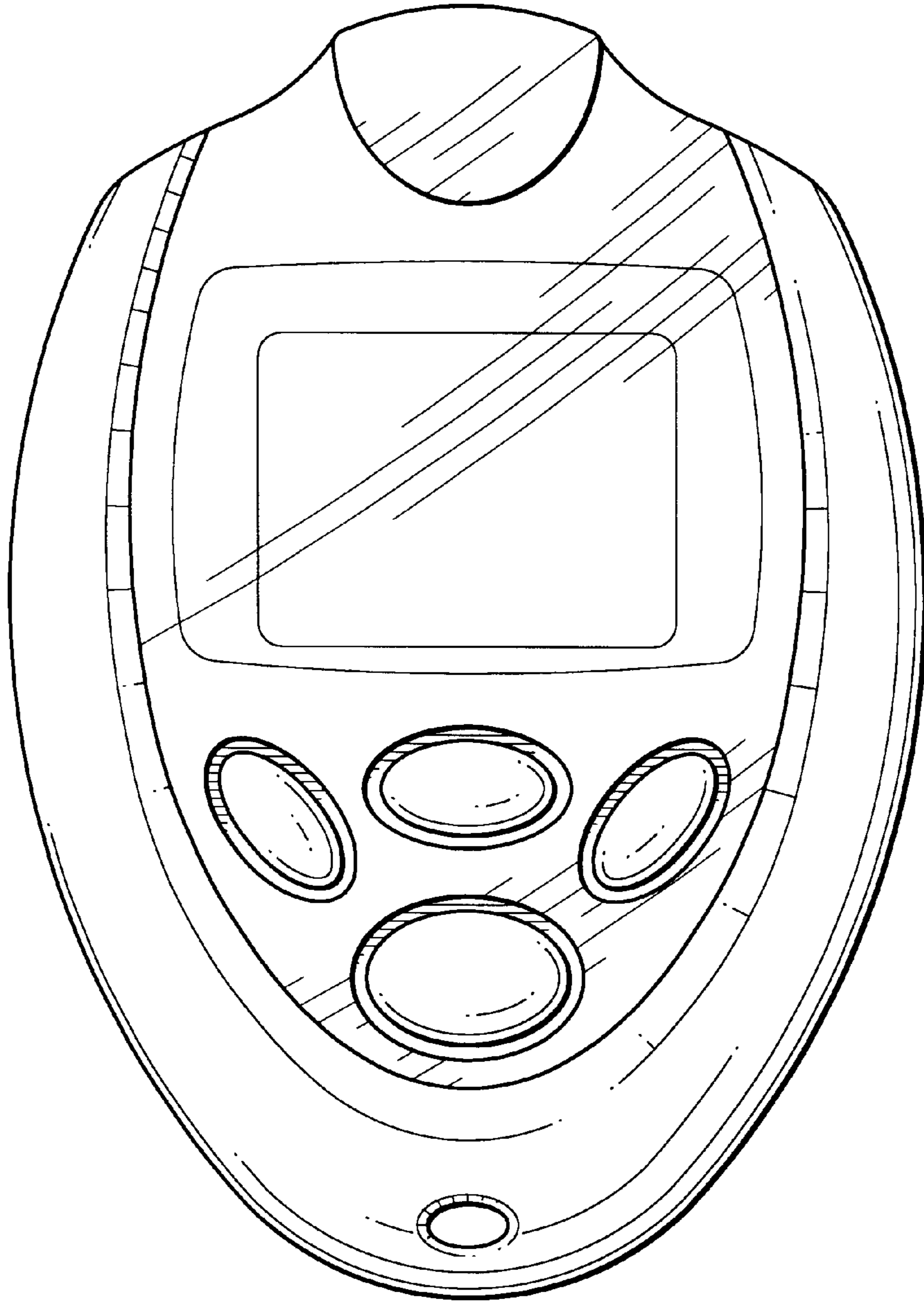


FIG. 2

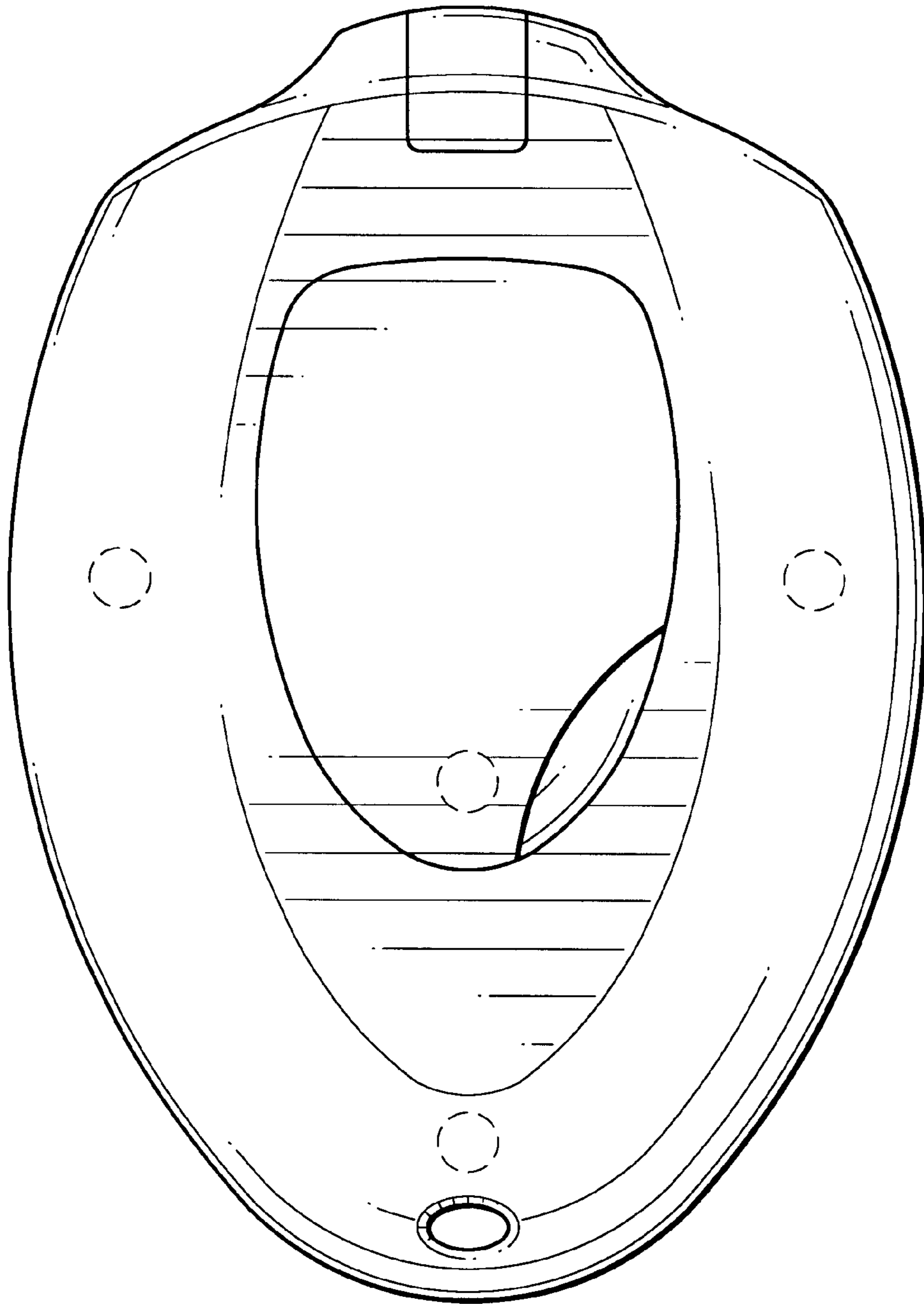


FIG. 3

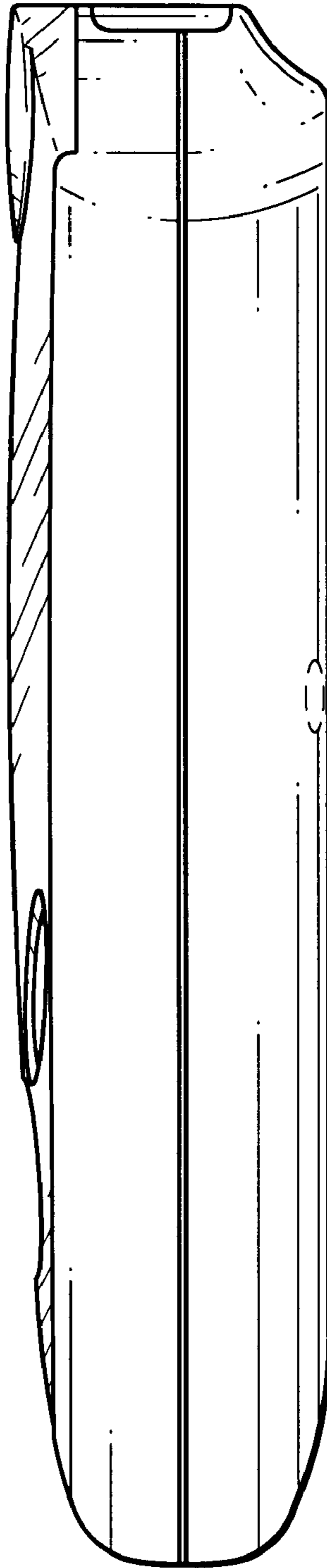


FIG. 4

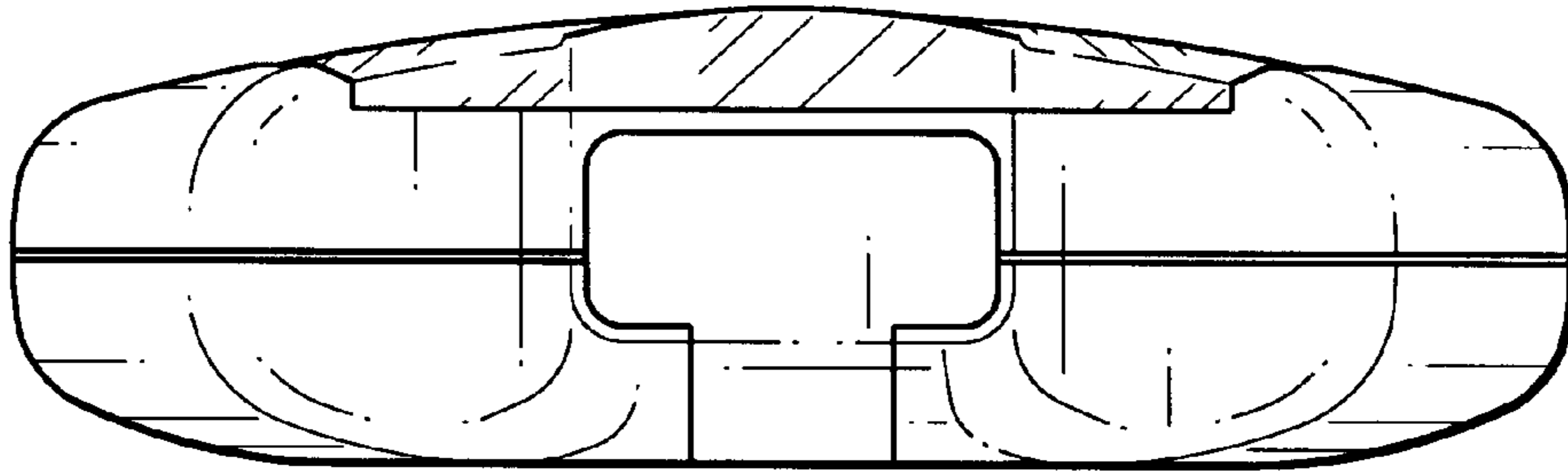


FIG. 5

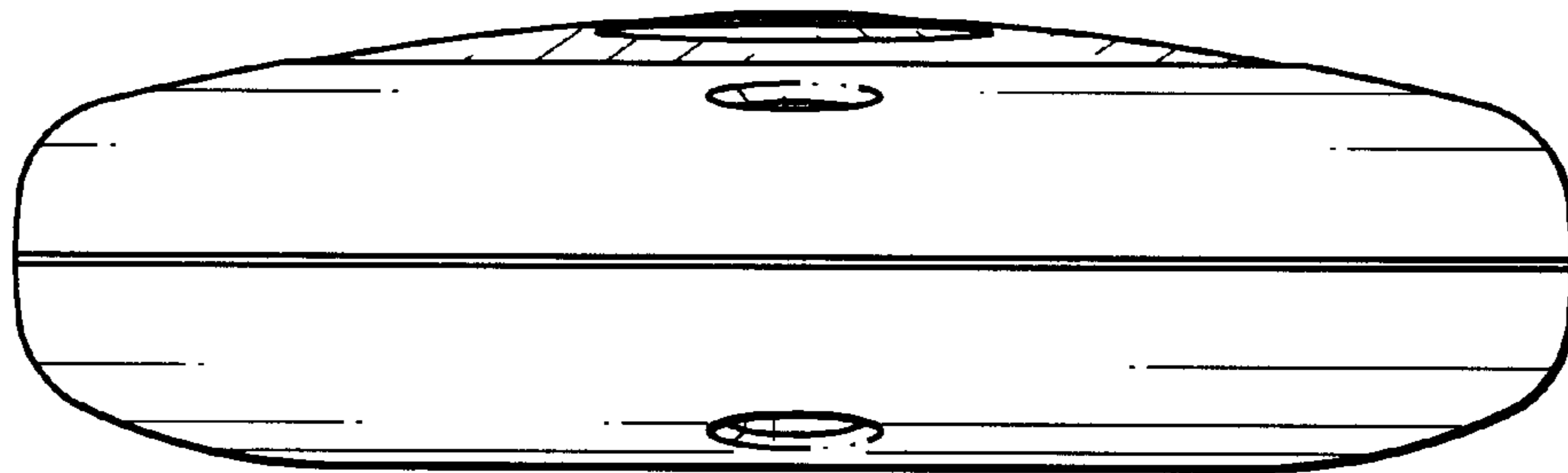


FIG. 6