



US00D476250S

(12) **United States Design Patent**  
**van de Wiel et al.**

(10) **Patent No.:** **US D476,250 S**

(45) **Date of Patent:** **\*\* Jun. 24, 2003**

(54) **BATH SCALE**

(75) Inventors: **Martijn van de Wiel**, Den Haag (NL);  
**Todd A. Zeilinger**, Chicago, IL (US);  
**James Montagnino**, St. Charles, IL  
(US); **Anson Wong**, Boca Raton, FL  
(US); **Jan Biang**, Evergreen Park, IL  
(US)

(73) Assignee: **Sunbeam Products, Inc.**, Boca Raton,  
FL (US)

(\*\*) Term: **14 Years**

(21) Appl. No.: **29/172,917**

(22) Filed: **Dec. 18, 2002**

(51) **LOC (7) Cl.** ..... **10-04**

(52) **U.S. Cl.** ..... **D10/92**

(58) **Field of Search** ..... D10/92; 177/238-245,  
177/25.13, 25.15

(56) **References Cited**

**U.S. PATENT DOCUMENTS**

D449,553 S \* 10/2001 Montagnino et al. .... D10/92

\* cited by examiner

*Primary Examiner*—Antoine Duval Davis

(74) *Attorney, Agent, or Firm*—Lawrence J. Shurupoff

(57) **CLAIM**

The ornamental design for a bath scale, as shown and described.

**DESCRIPTION**

FIG. 1 is a top right rear perspective view of the bath scale showing the new design;

FIG. 2 is a right side elevational view thereof and being the same as the right side elevational view thereof;

FIG. 3 is a front elevational view thereof;

FIG. 4 is a top plan view thereof;

FIG. 5 is a bottom plan view thereof; and,

FIG. 6 is a rear elevational view thereof.

**1 Claim, 3 Drawing Sheets**

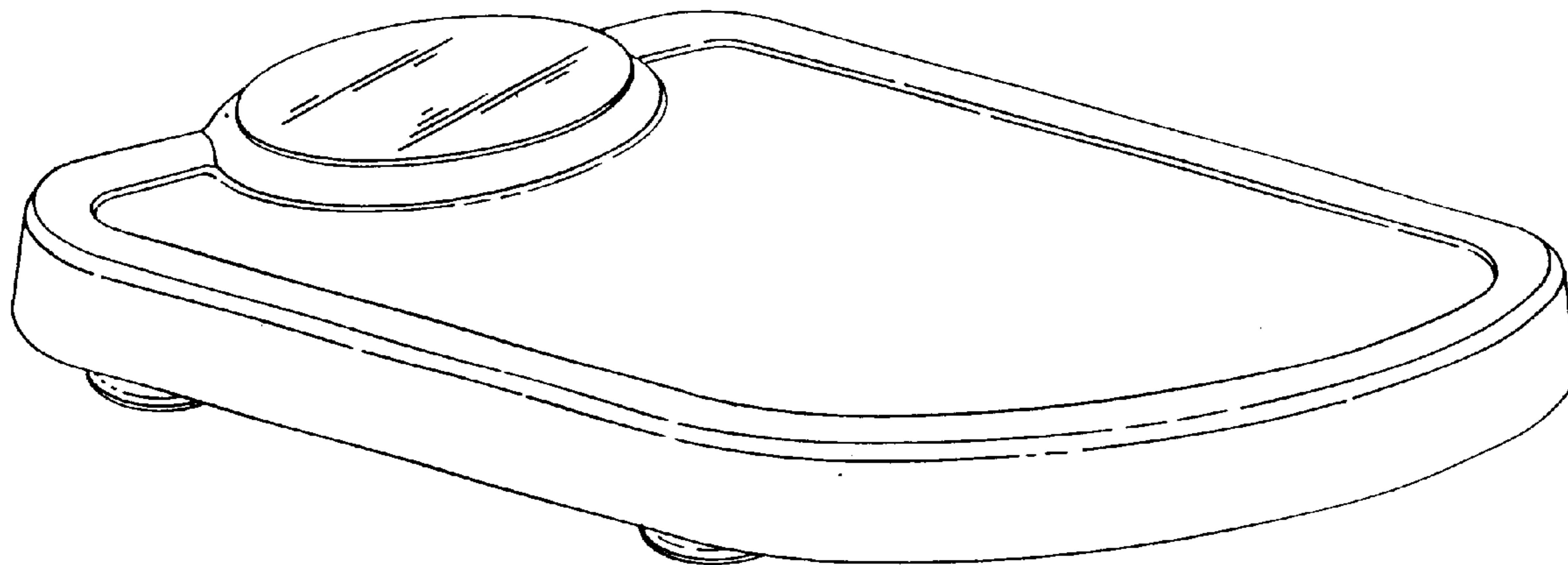


FIG 1

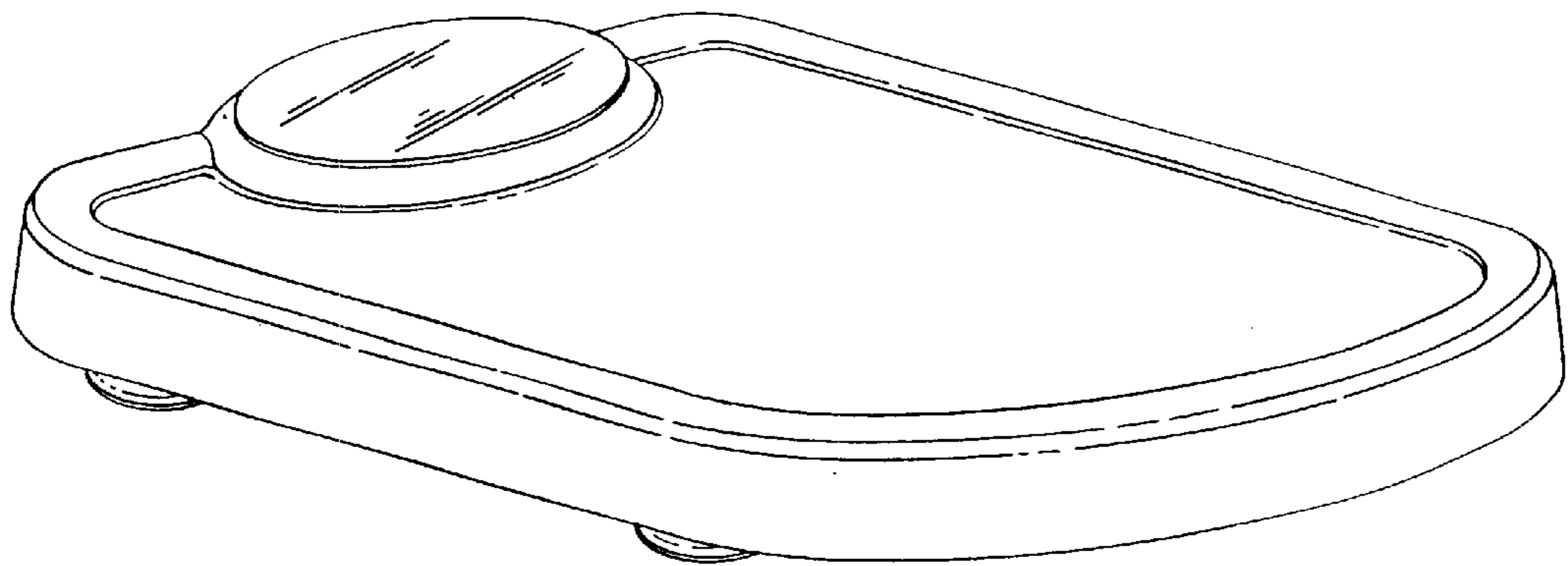


FIG 2

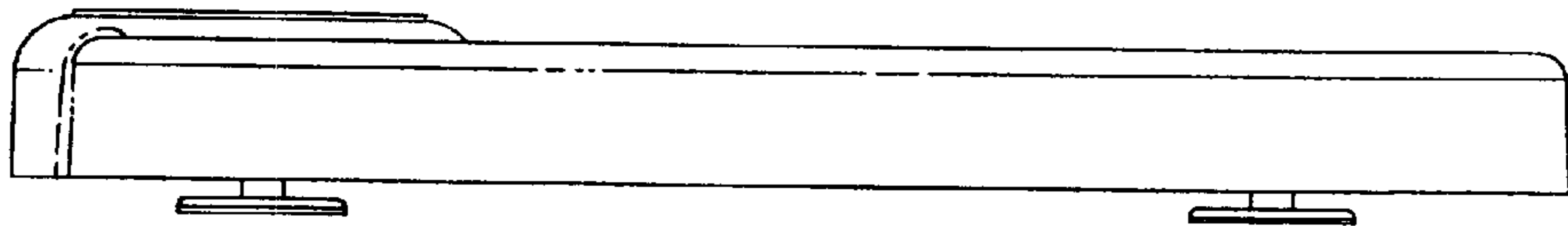


FIG 3

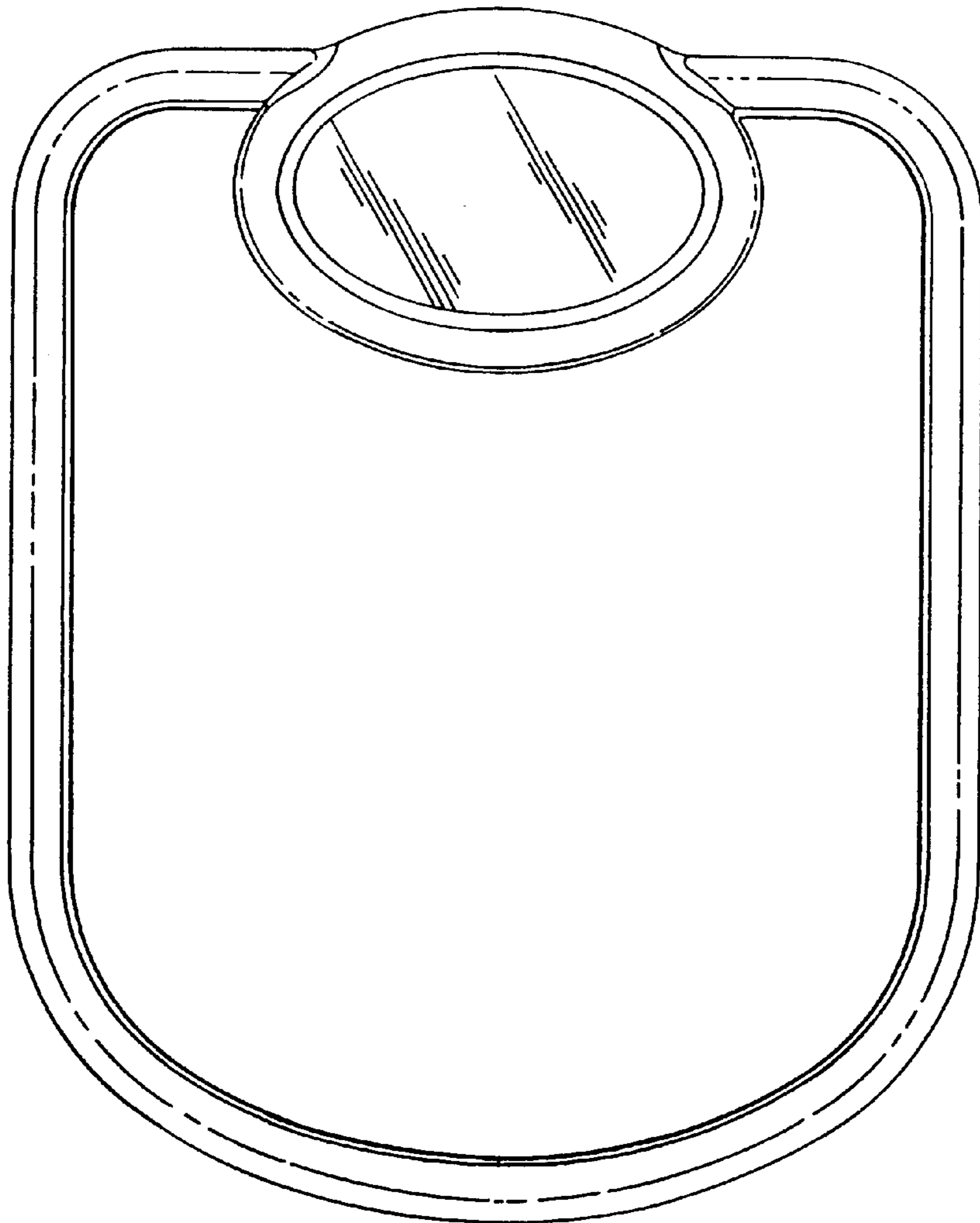
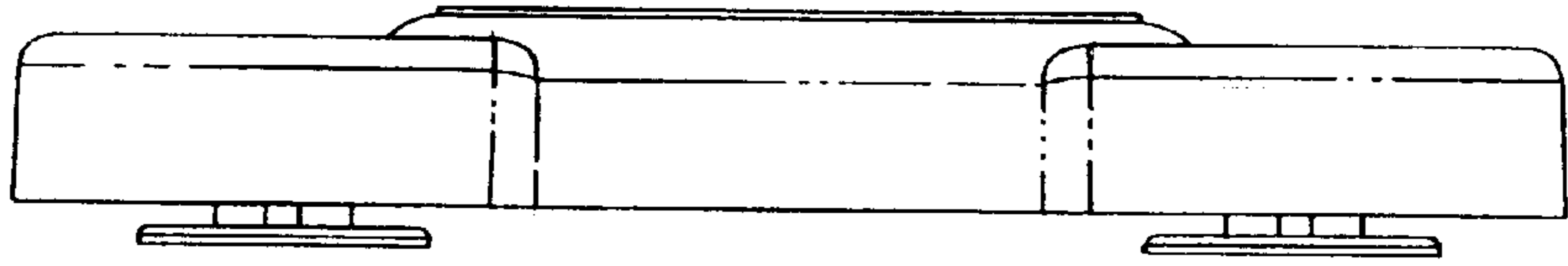


FIG 4

FIG 5

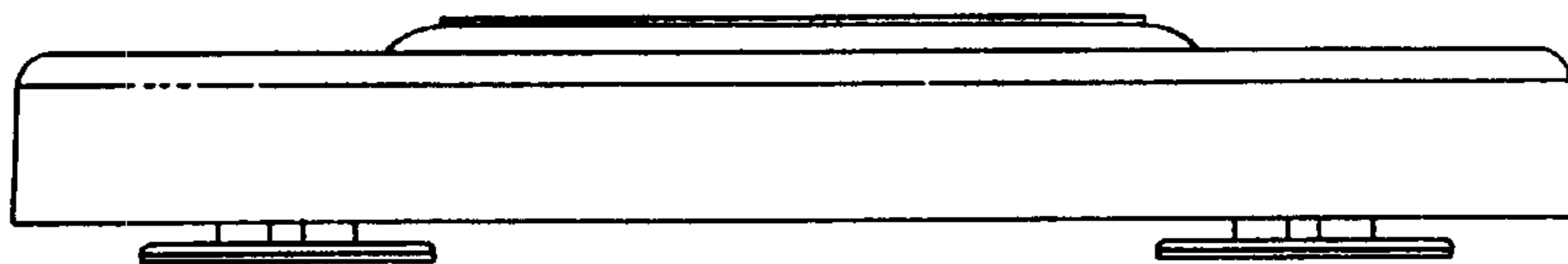
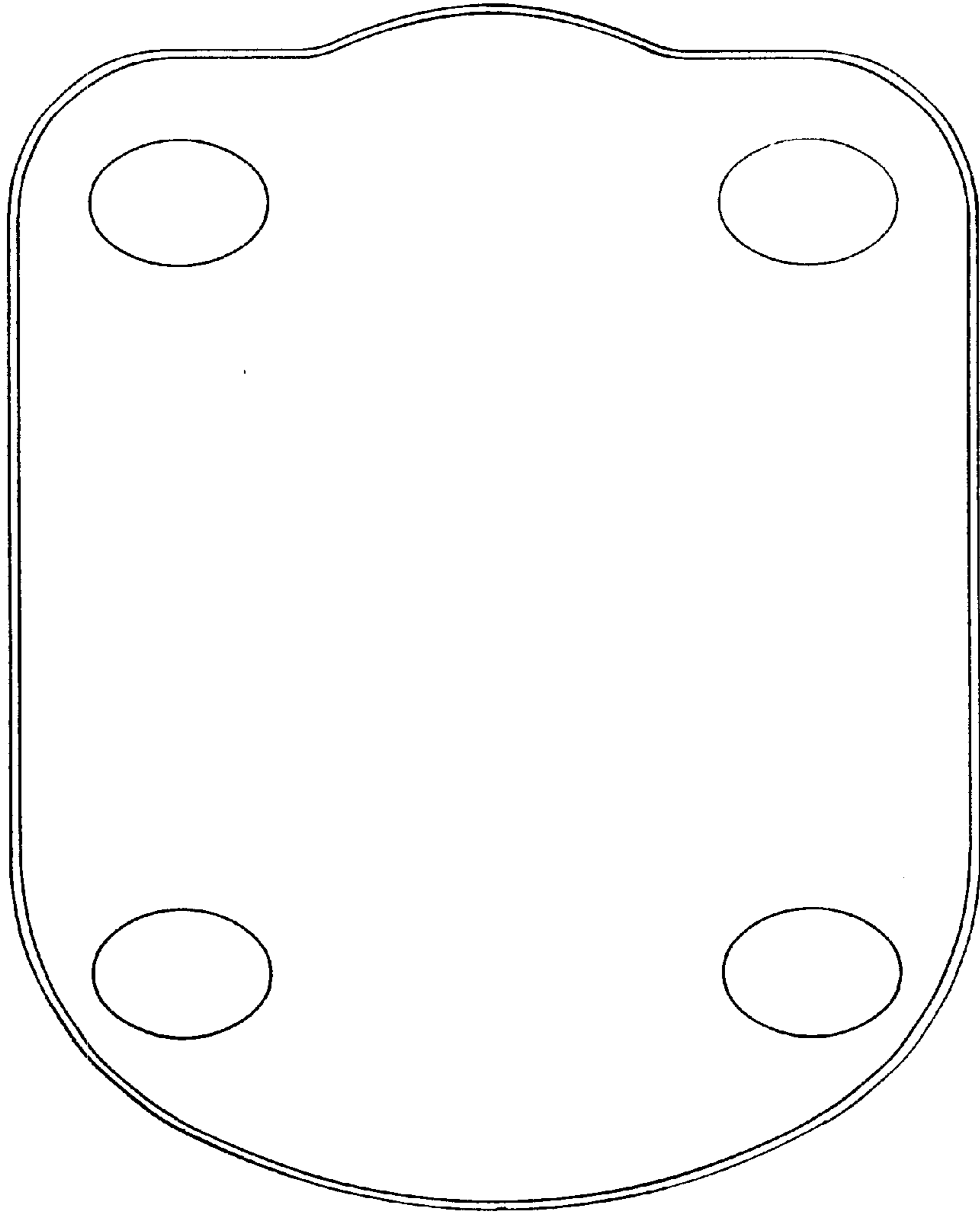


FIG 6