



US00D476239S

(12) **United States Design Patent**
Hsu

(10) **Patent No.:** **US D476,239 S**

(45) **Date of Patent:** **** Jun. 24, 2003**

(54) **TIME CLOCK**

(76) **Inventor:** **Hua Wen Hsu**, 5F-2, No. 42, Alley 32,
Lane 245, Sec. 4, Pa-Te Road, Taipei
(TW)

(**) **Term:** **14 Years**

(21) **Appl. No.:** **29/162,307**

(22) **Filed:** **Jun. 12, 2002**

(51) **LOC (7) Cl.** **10-01**

(52) **U.S. Cl.** **D10/18; D10/15**

(58) **Field of Search** D10/1-40, 122-132;
368/280-282, 276-277, 28-30, 285, 239-242,
243-249, 82-84, 41-44

(56) **References Cited**

U.S. PATENT DOCUMENTS

4,893,291	A	*	1/1990	Bick et al.	368/10
D337,950	S	*	8/1993	Davis	D10/15
D359,003	S	*	6/1995	Davis et al.	D10/40
D375,902	S	*	11/1996	Wong	D10/15
D387,286	S	*	12/1997	Wong	D10/15
D387,287	S	*	12/1997	Wong	D10/15

D390,787	S	*	2/1998	Chan	D10/18
D436,540	S	*	1/2001	Smith	D10/15
D436,868	S	*	1/2001	Chan	D10/15

* cited by examiner

Primary Examiner—Nelson C. Holtje
(74) *Attorney, Agent, or Firm*—Pro-Tecltor International
Services

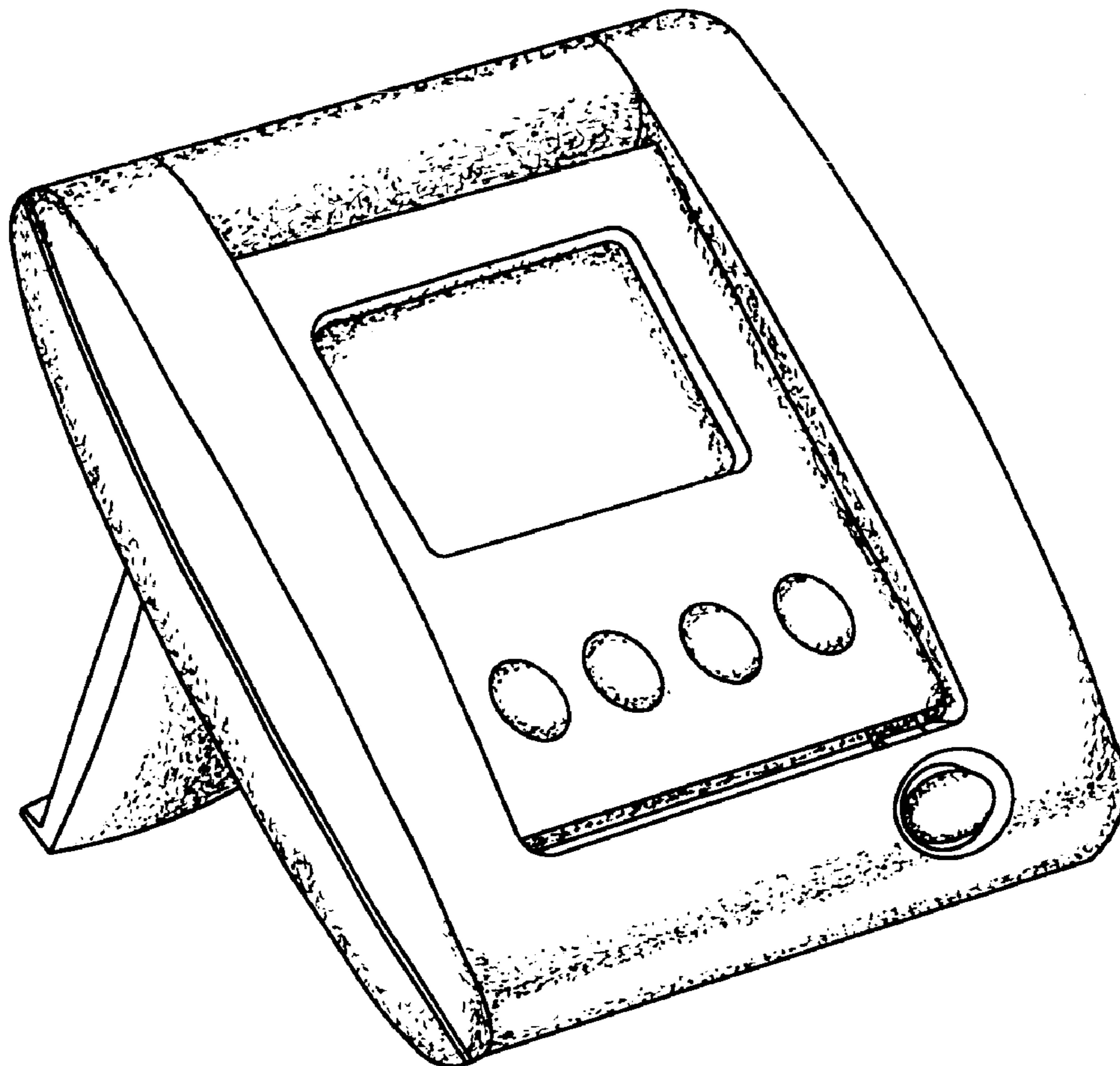
(57) **CLAIM**

The ornamental design for a time clock, as shown and described.

DESCRIPTION

FIG. 1 is a front elevational view showing my new design;
FIG. 2 is a rear elevational view thereof;
FIG. 3 is a left side elevational view thereof;
FIG. 4 is a right side elevational view thereof;
FIG. 5 is a top plan view thereof;
FIG. 6 is a bottom plan view thereof;
FIG. 7 is a front, left, bottom, perspective view thereof; and,
FIG. 8 is a perspective view thereof with the case in the
closed position.

1 Claim, 8 Drawing Sheets



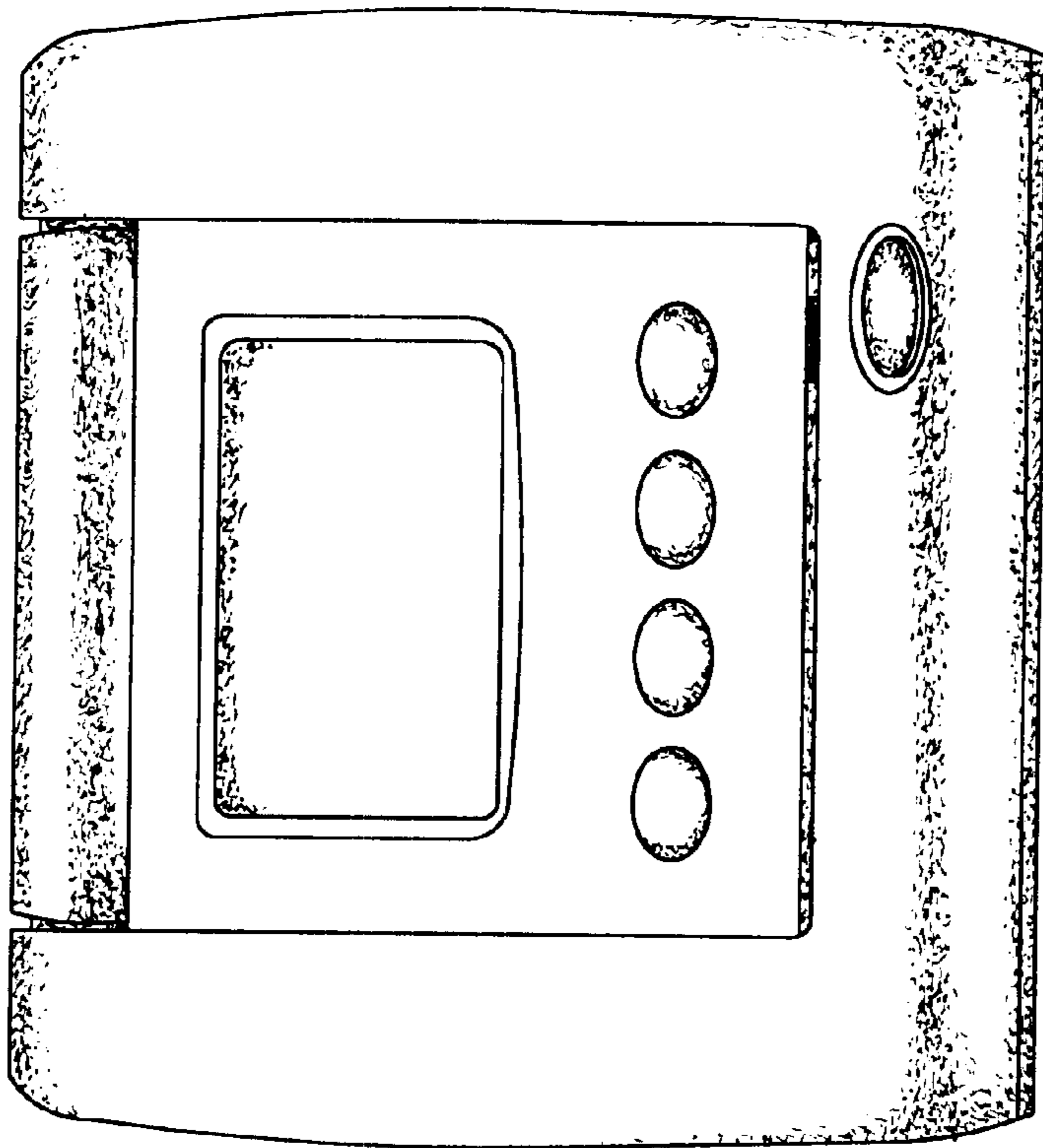


FIG. 1

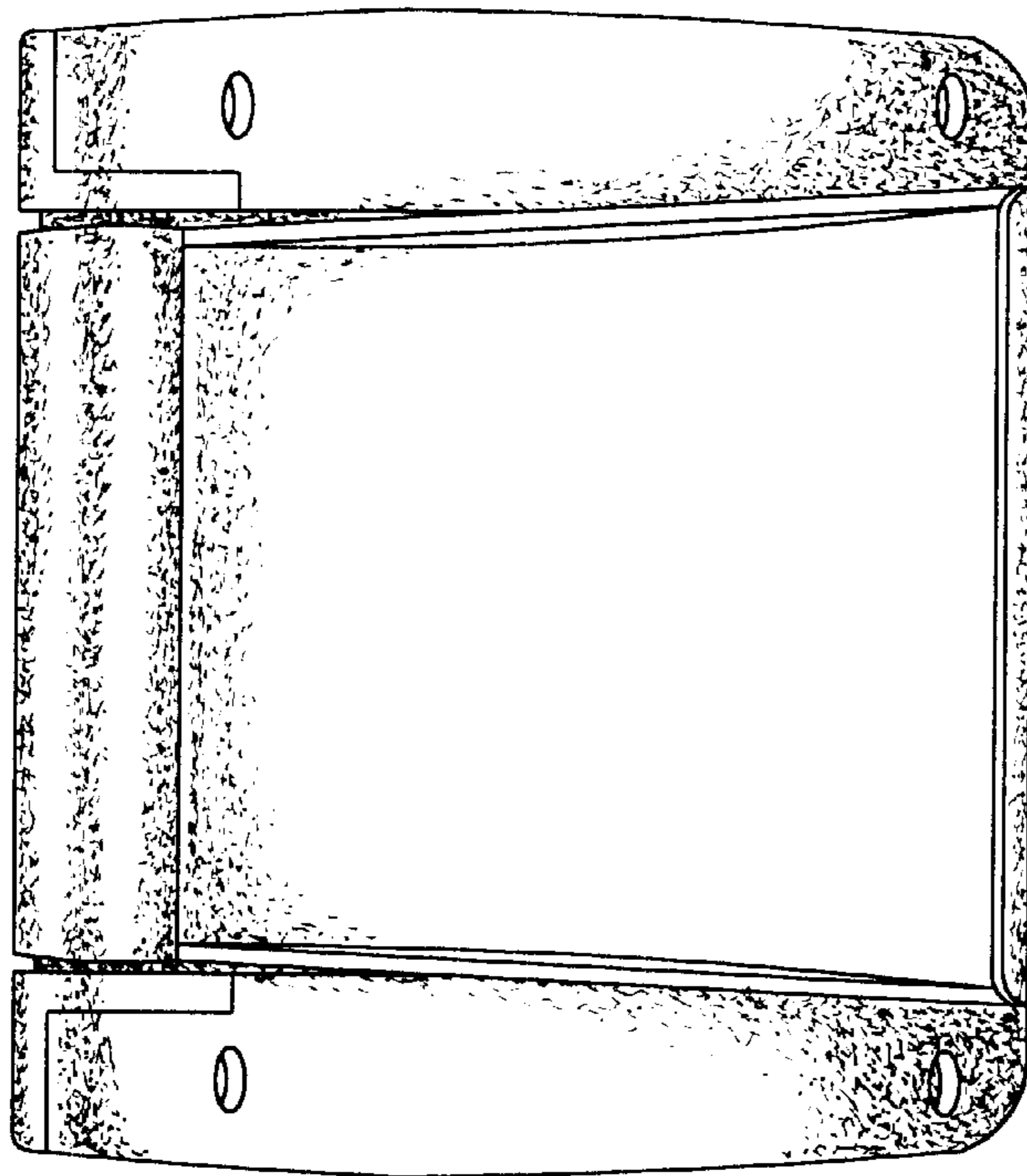
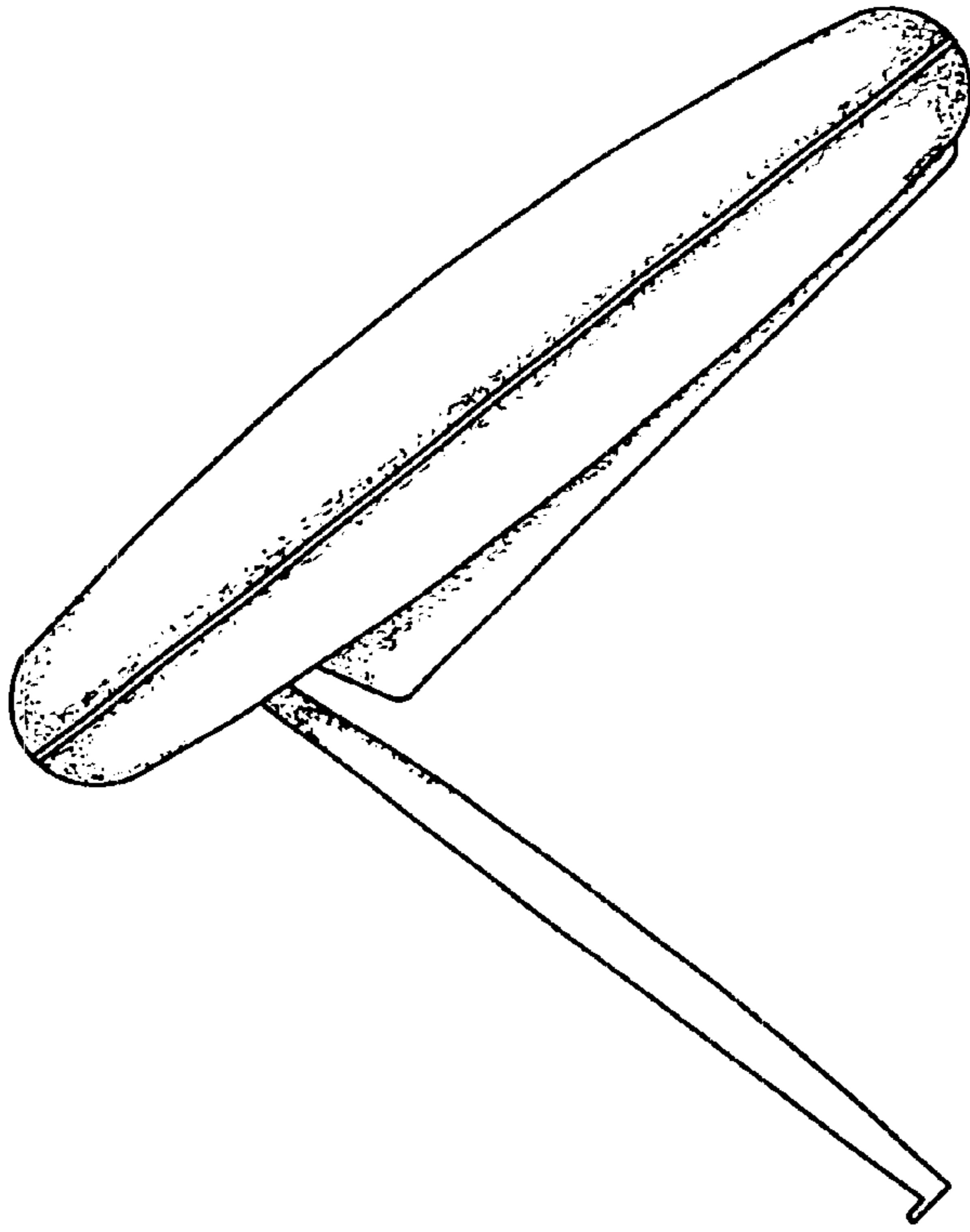


FIG. 2



3

.

30

1

4

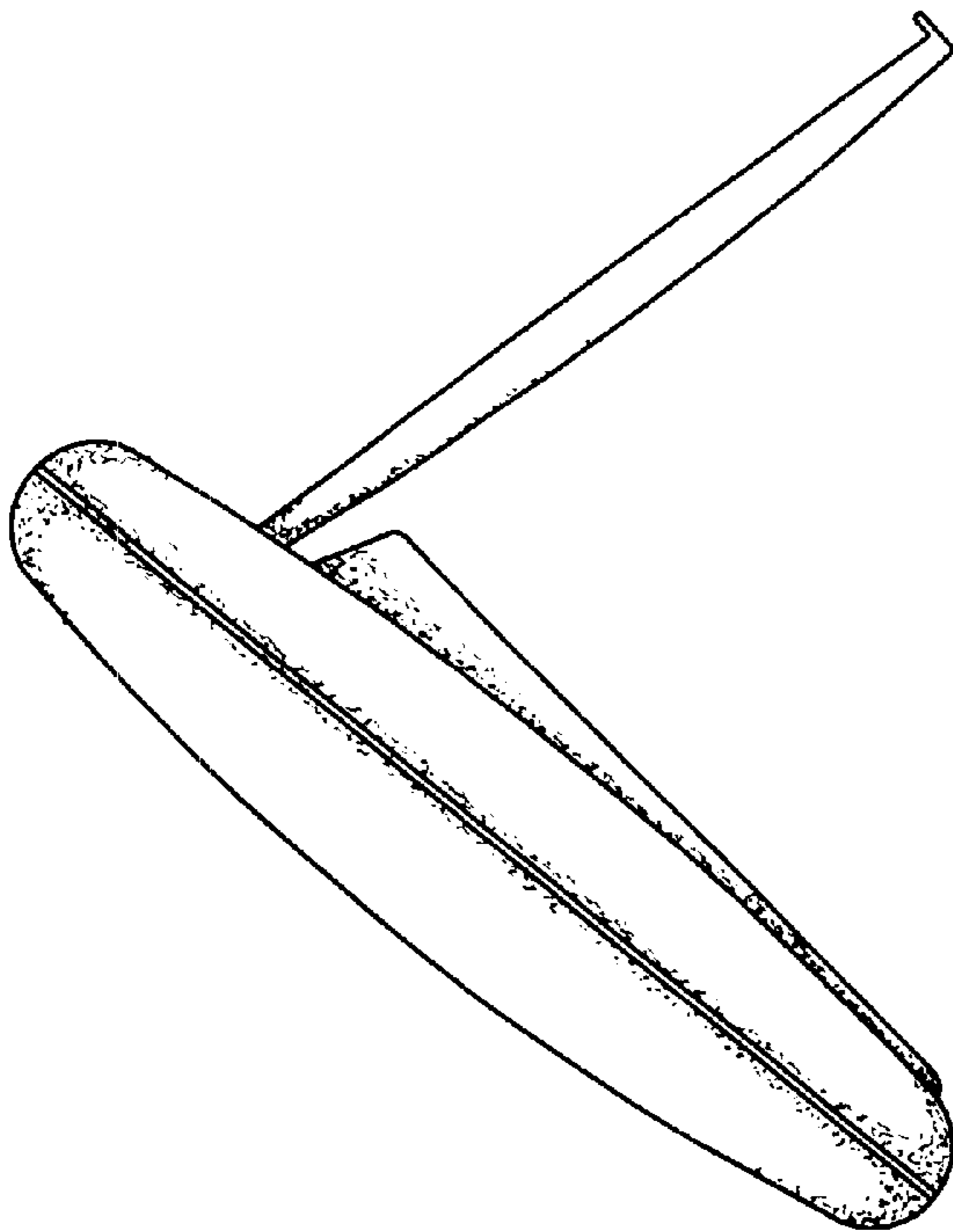
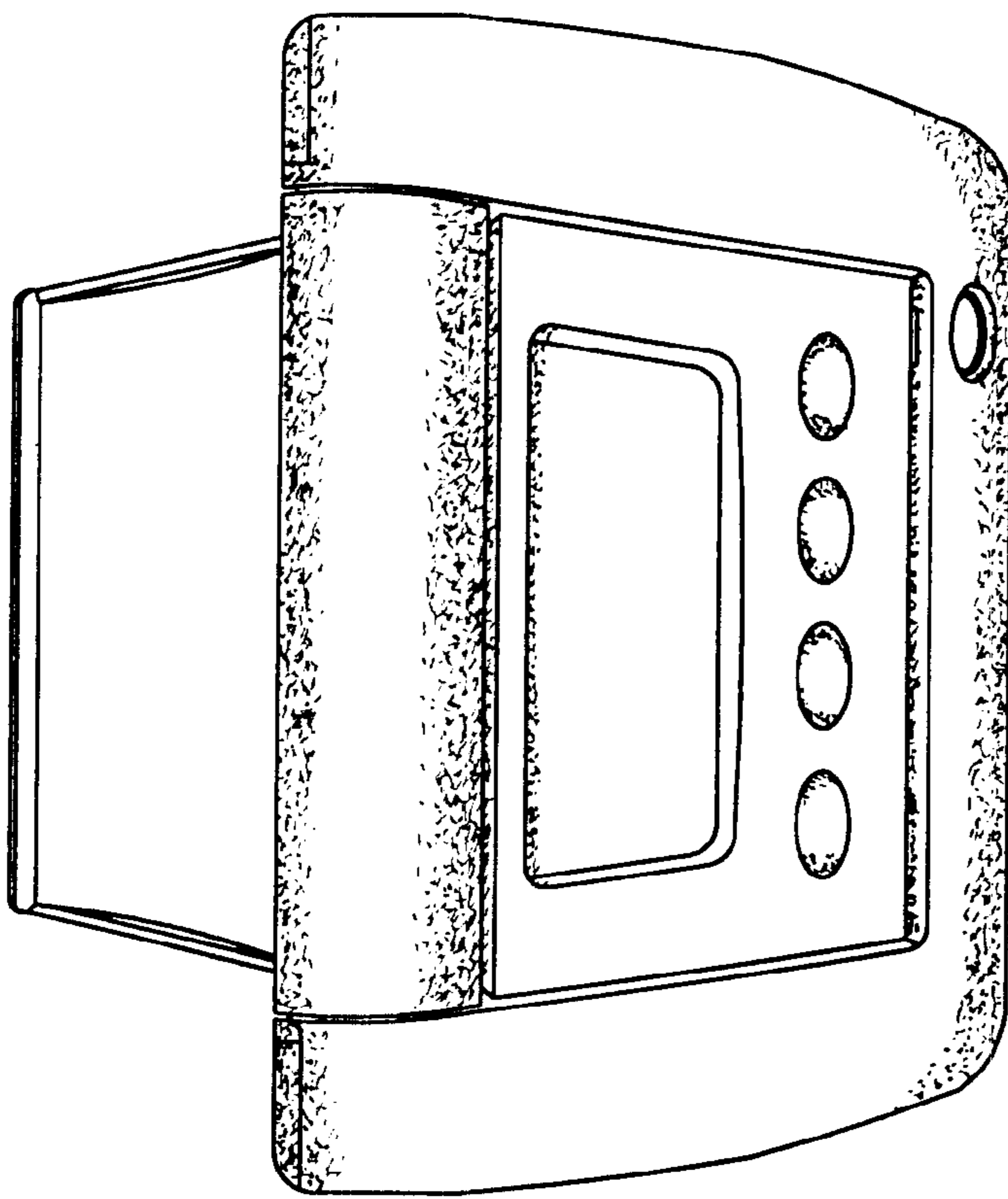
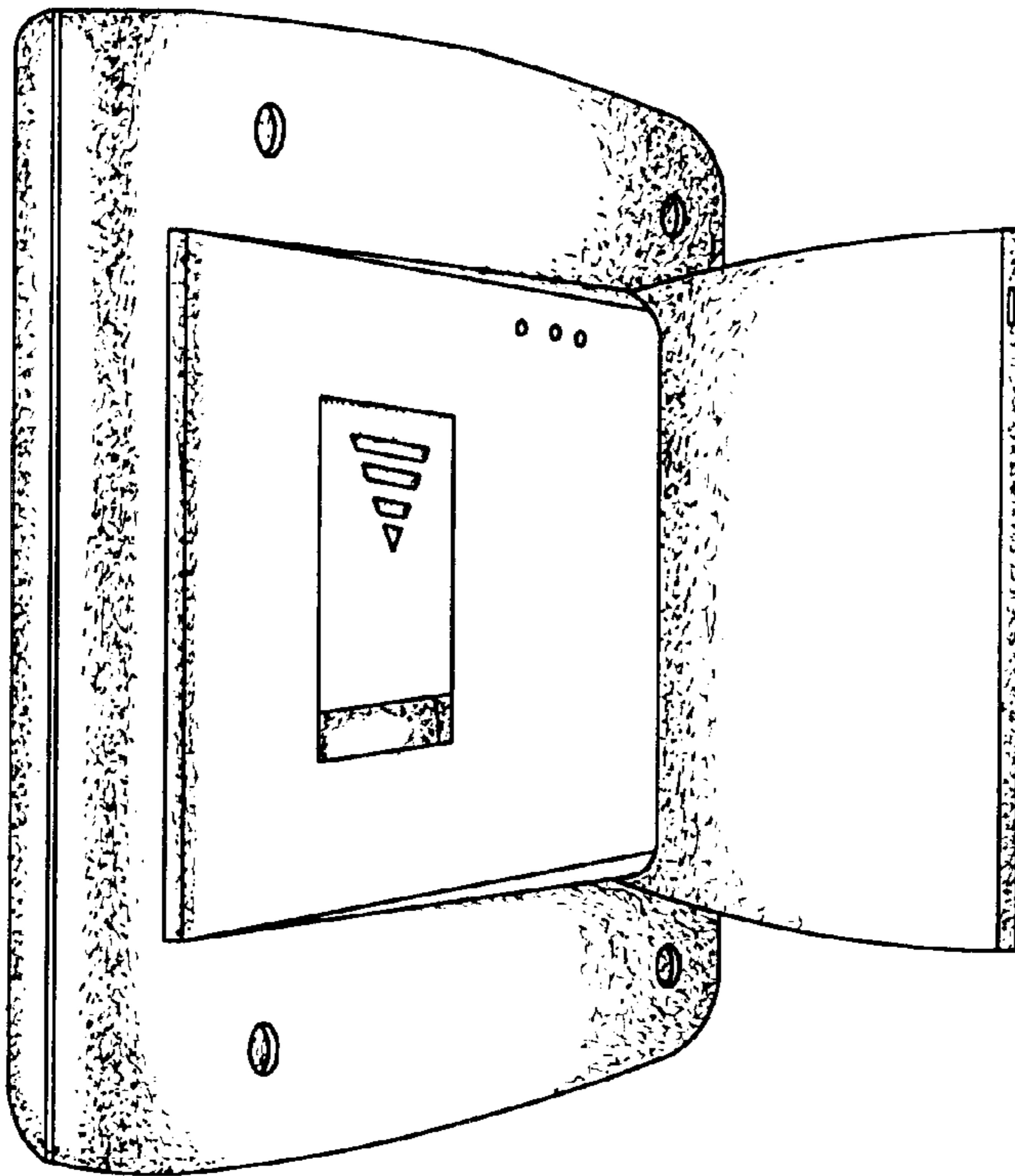


FIG. 4



5011



9
•
9
i
H

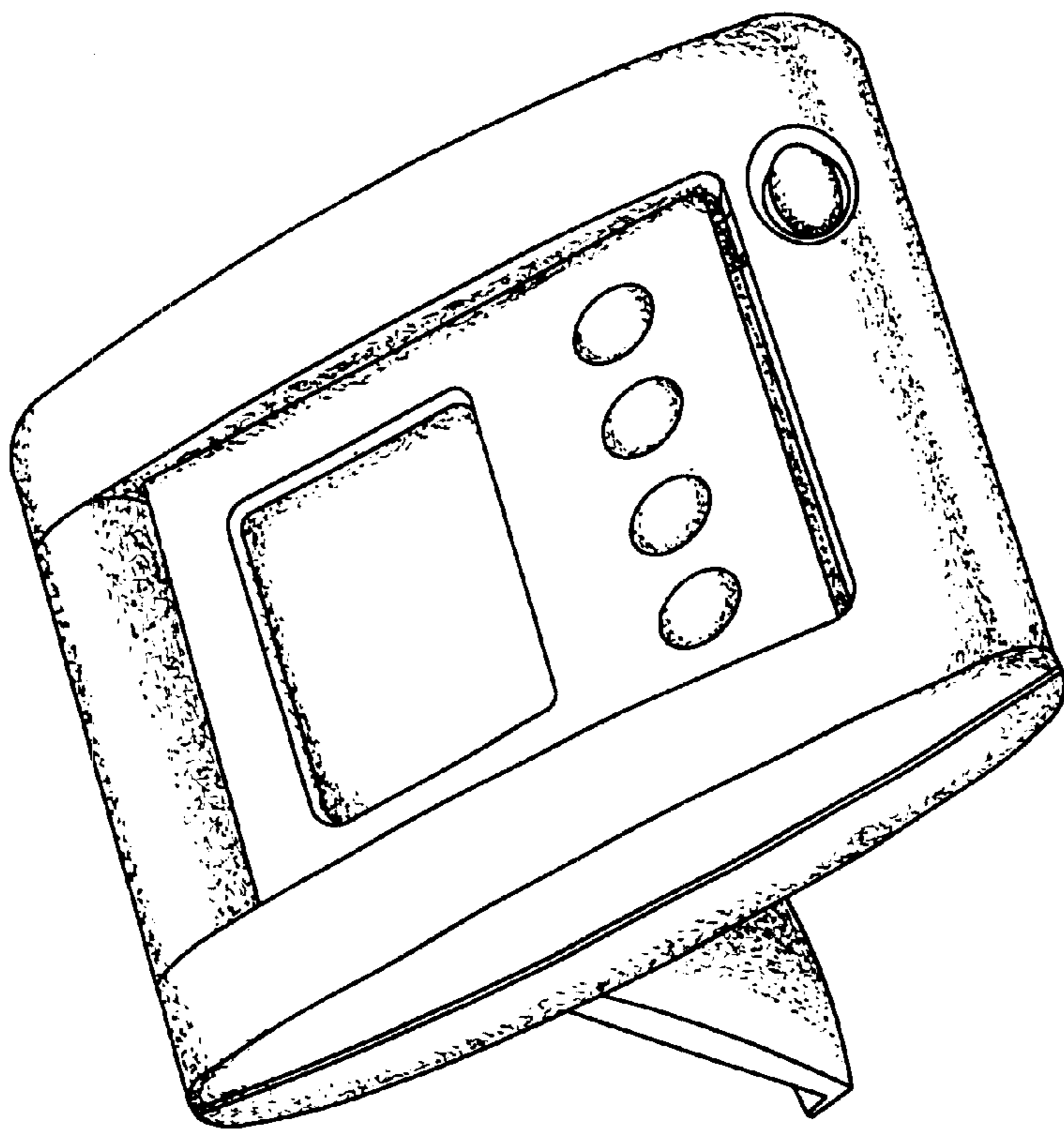


FIG. 7

