



US00D476236S

(12) **United States Design Patent**
Ungrady et al.

(10) **Patent No.:** **US D476,236 S**

(45) **Date of Patent:** **** Jun. 24, 2003**

(54) **CONTAINER**

(75) Inventors: **Eric B. Ungrady**, Maumee, OH (US);
Richard R. Johnston, Toledo, OH (US)

(73) Assignee: **Owens-Brockway Plastic Products Inc.**, Toledo, OH (US)

(**) Term: **14 Years**

(21) Appl. No.: **29/157,450**

(22) Filed: **Mar. 18, 2002**

(51) **LOC (7) Cl.** **09-01**

(52) **U.S. Cl.** **D9/538; D9/539**

(58) **Field of Search** D9/500, 502-505,
D9/516, 530, 537-543, 549, 551, 558-559,
574-575; 215/12.1-12.3, 12.5, 382-384,
396, 398, 400

(56) **References Cited**

U.S. PATENT DOCUMENTS

D313,750 S	*	1/1991	York et al.	D9/549
D315,869 S	*	4/1991	Collette	D9/551
D352,245 S	*	11/1994	Krishnakumar et al.	D9/538
5,704,503 A	*	1/1998	Krishnakumar et al.	215/381
D393,802 S	*	4/1998	Collette et al.	D9/502
5,908,128 A	*	6/1999	Krishnakumar et al.	215/381
6,016,932 A	*	1/2000	Gaydosh et al.	215/382
6,036,037 A	*	3/2000	Scheffer et al.	215/381
D434,330 S		11/2000	Rowe et al.	

D445,693 S	7/2001	Rashid	
D445,694 S	7/2001	Gans	
D446,458 S	8/2001	Gans	
D451,401 S	12/2001	Silvers et al.	
D452,445 S	12/2001	Silvers et al.	
6,460,714 B1	* 10/2002	Silvers et al.	215/381
D466,021 S	* 11/2002	Thierjung et al.	D9/538

* cited by examiner

Primary Examiner—Ted Shooman
Assistant Examiner—Carol Rademaker

(57) **CLAIM**

The ornamental design for a container, as shown and described.

DESCRIPTION

FIG. 1 is a top plan view of the container according to our new design; FIGS. 2 and 3 are side elevation views of the container FIG. 1 taken in the direction of the arrows 2 and 3, respectively, in FIG. 1; and, FIG. 4 is a bottom plan view of the container of FIGS. 1-3. The side opposite that shown in FIG. 2 is the same in appearance as the side shown, and the side opposite that shown in FIG. 3 is the same in appearance as the side shown. The broken line showing the threaded portion of the container in FIGS. 2 and 3 is for illustrative purposes only and does not form a part of the claimed design.

1 Claim, 2 Drawing Sheets

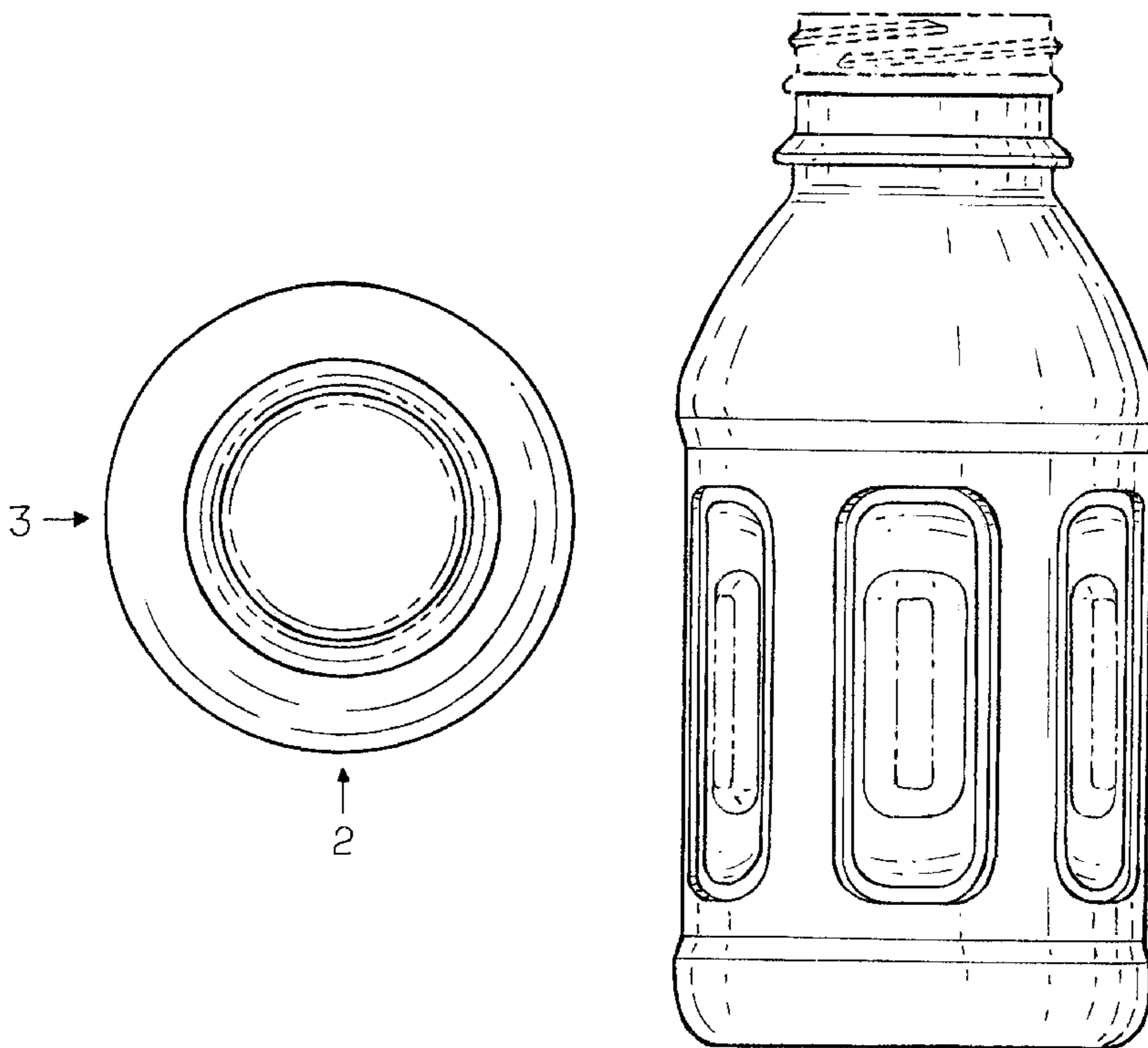


FIG. 1

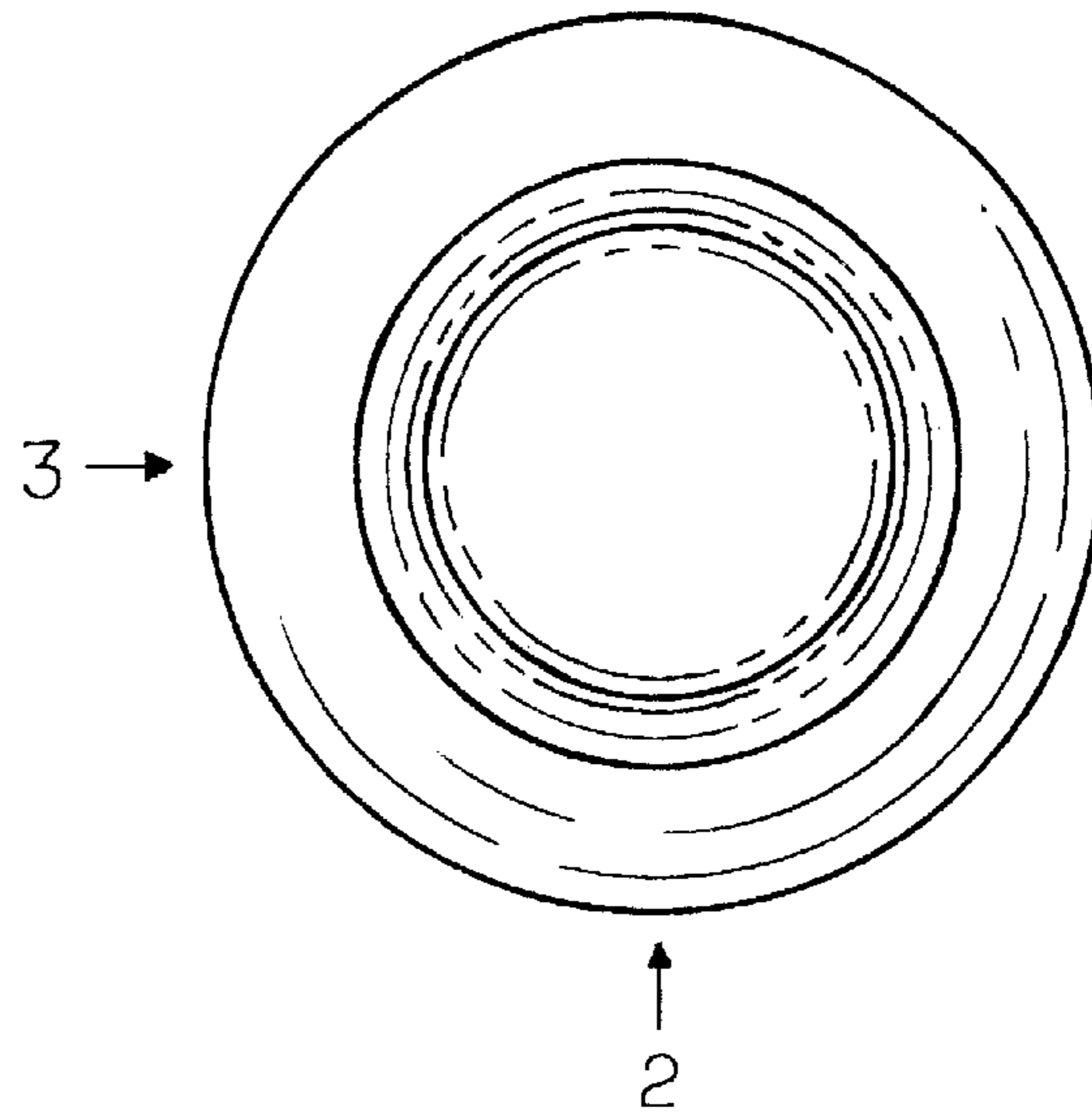


FIG. 2

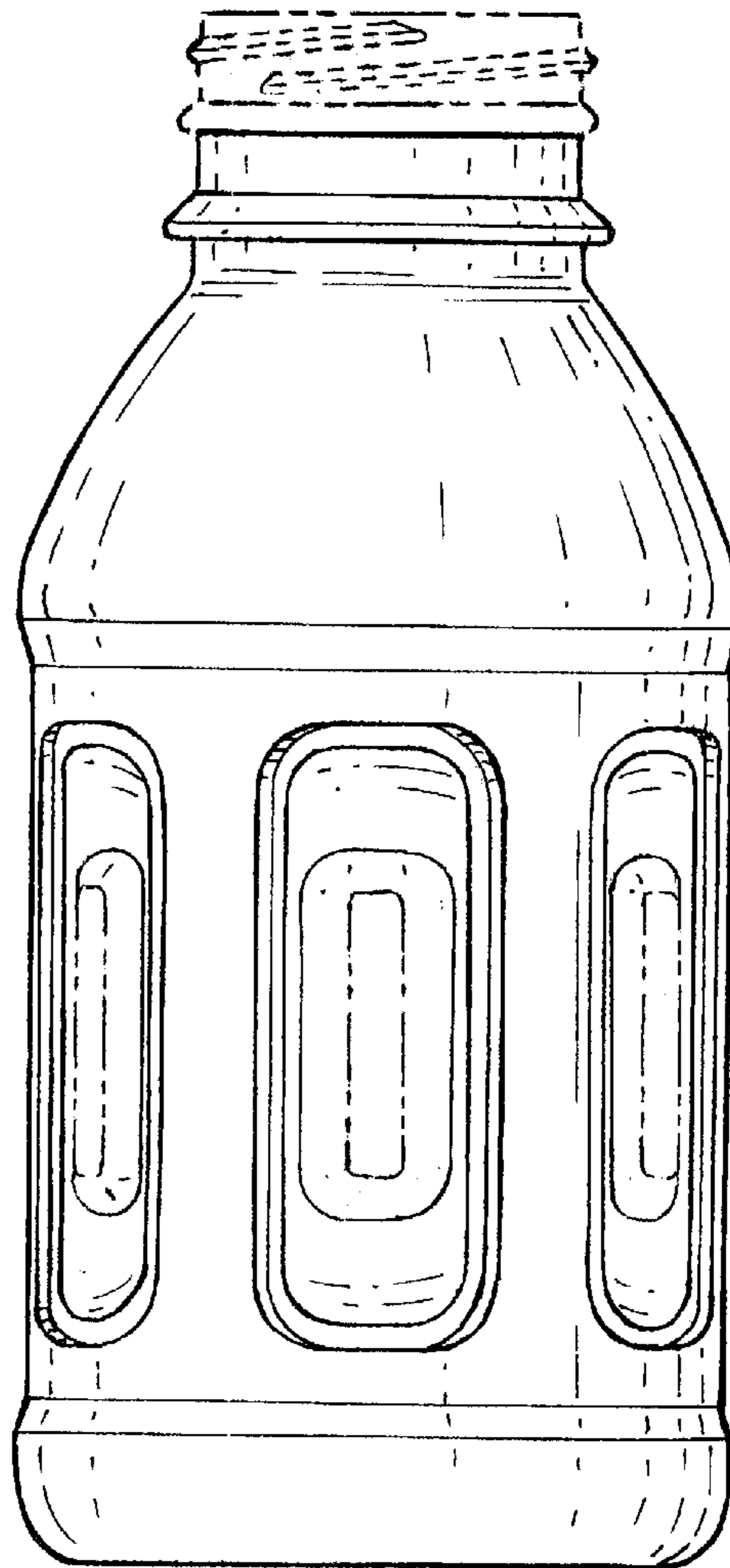


FIG. 3

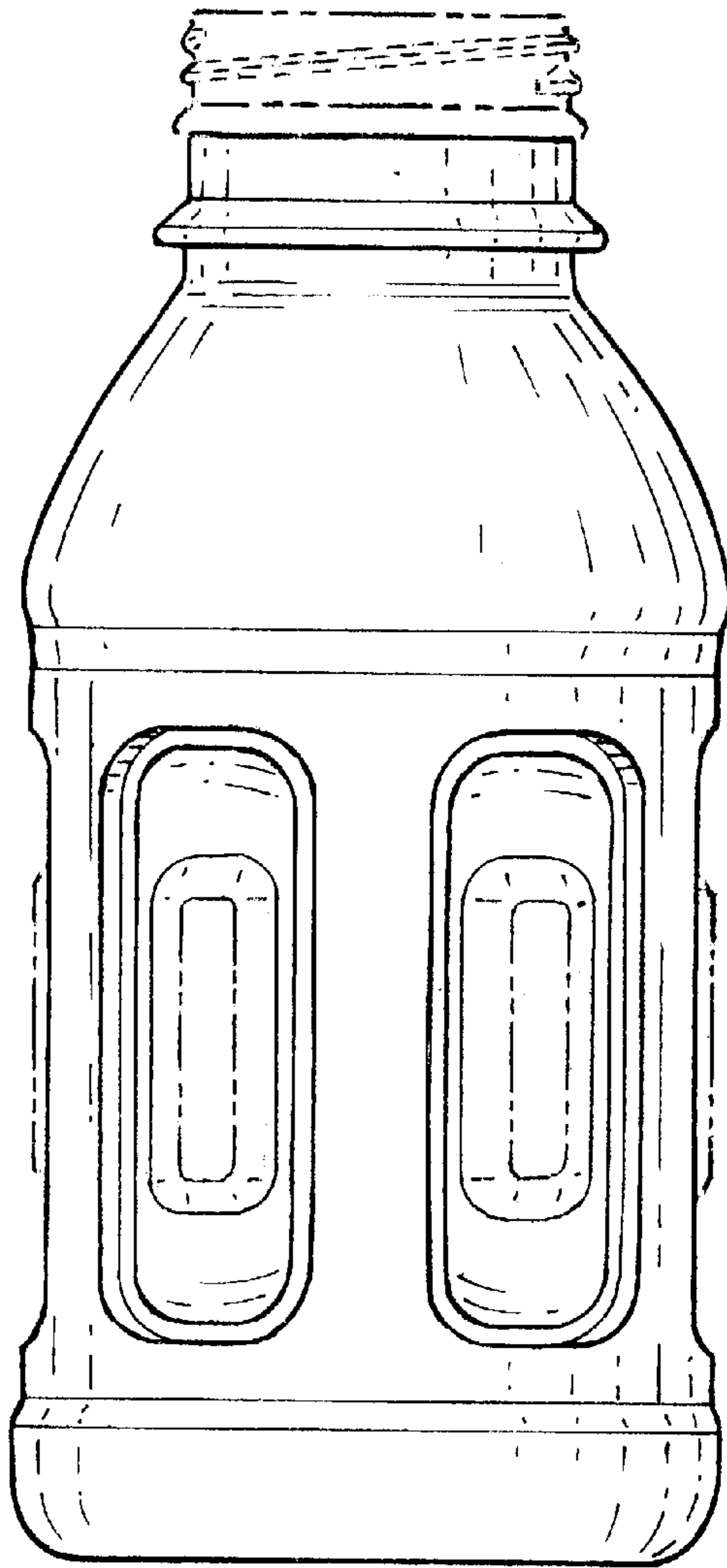


FIG. 4

