



US00D476232S

(12) **United States Design Patent**  
**Maus et al.**

(10) **Patent No.:** **US D476,232 S**

(45) **Date of Patent:** **\*\* Jun. 24, 2003**

(54) **BOTTLE CAP**

(75) Inventors: **David George Maus**, Wayne, NJ (US);  
**Robin Renna**, Wayne, NJ (US);  
**Elizabeth Lucey**, Wayne, NJ (US);  
**Eric Hintz**, Wayne, NJ (US)

(73) Assignee: **Reckitt Benckiser Inc.**, Wayne, NJ (US)

(\*\*) Term: **14 Years**

(21) Appl. No.: **29/158,296**

(22) Filed: **Apr. 1, 2002**

(30) **Foreign Application Priority Data**

Oct. 1, 2001 (GB) ..... 2105227

(51) **LOC (7) Cl.** ..... **09-07**

(52) **U.S. Cl.** ..... **D9/449; D9/447; D9/435; D9/454**

(58) **Field of Search** ..... D9/449, 447, 435, D9/454; 215/252, 256, 303; 222/151, 546, 563, 566-570

(56) **References Cited**

**U.S. PATENT DOCUMENTS**

3,133,310 A \* 5/1964 Yorker et al. .... 222/151

5,121,859 A \* 6/1992 Stull ..... 222/546  
D358,295 S \* 5/1995 Moeneh ..... D9/449  
D379,304 S \* 5/1997 Bova ..... D9/447  
D453,472 S \* 2/2002 Kwong ..... D9/447  
6,481,589 B2 \* 11/2002 Blomdahl et al. .... 215/303

\* cited by examiner

*Primary Examiner*—Louis S. Zarfes

*Assistant Examiner*—Gregory Andoll

(74) *Attorney, Agent, or Firm*—Akin, Gump, Strauss, Hauer & Feld, L.L.P.

(57) **CLAIM**

The ornamental design for a bottle cap, as shown and described.

**DESCRIPTION**

FIG. 1 is a front perspective view of a bottle cap in accordance with our new design;

FIG. 2 is a rear elevational view thereof;

FIG. 3 is a front elevational view thereof;

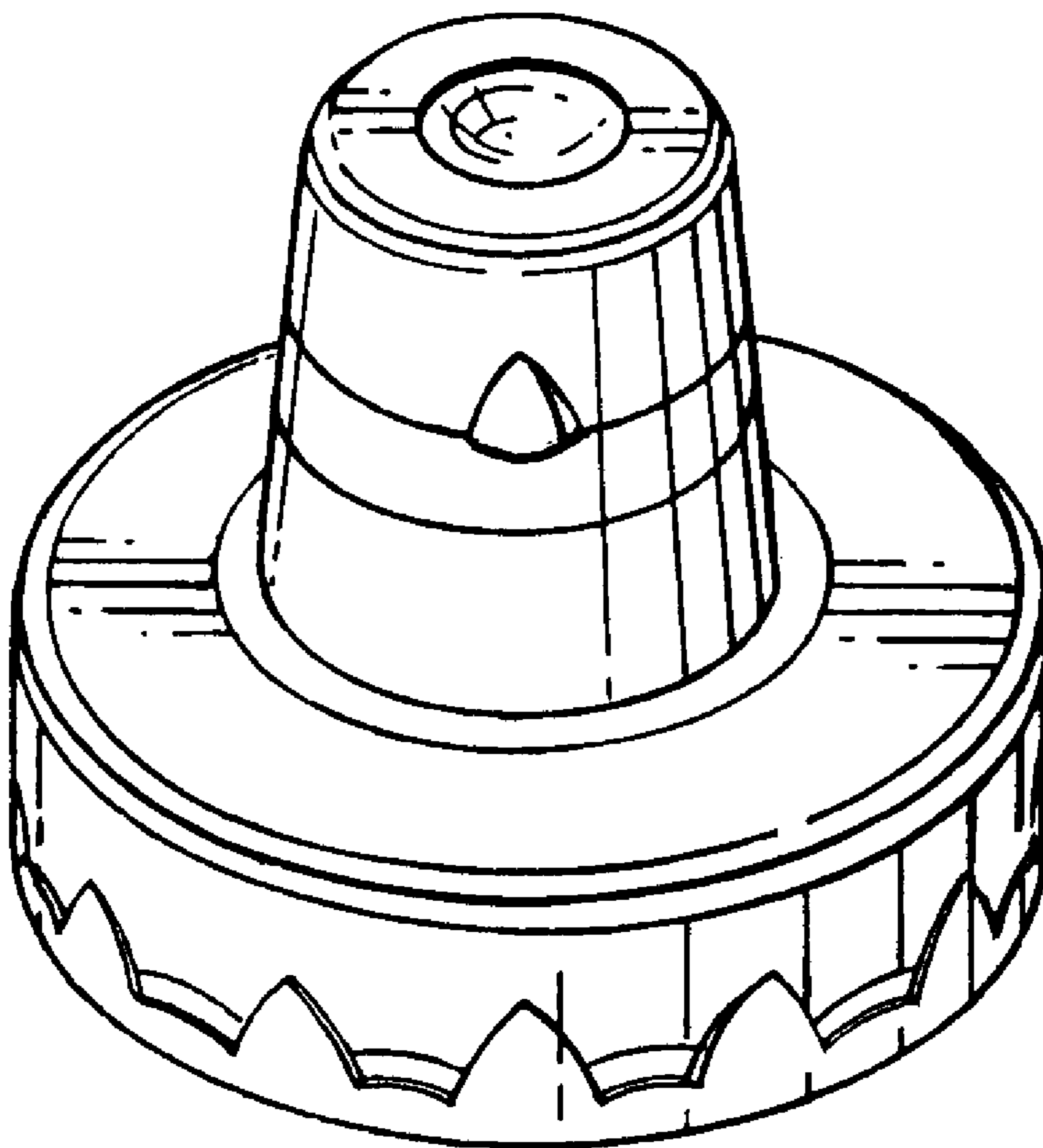
FIG. 4 is a right side elevational view thereof;

FIG. 5 is a left side elevational view thereof;

FIG. 6 is a top plan view thereof; and,

FIG. 7 is a bottom plan view thereof.

**1 Claim, 1 Drawing Sheet**



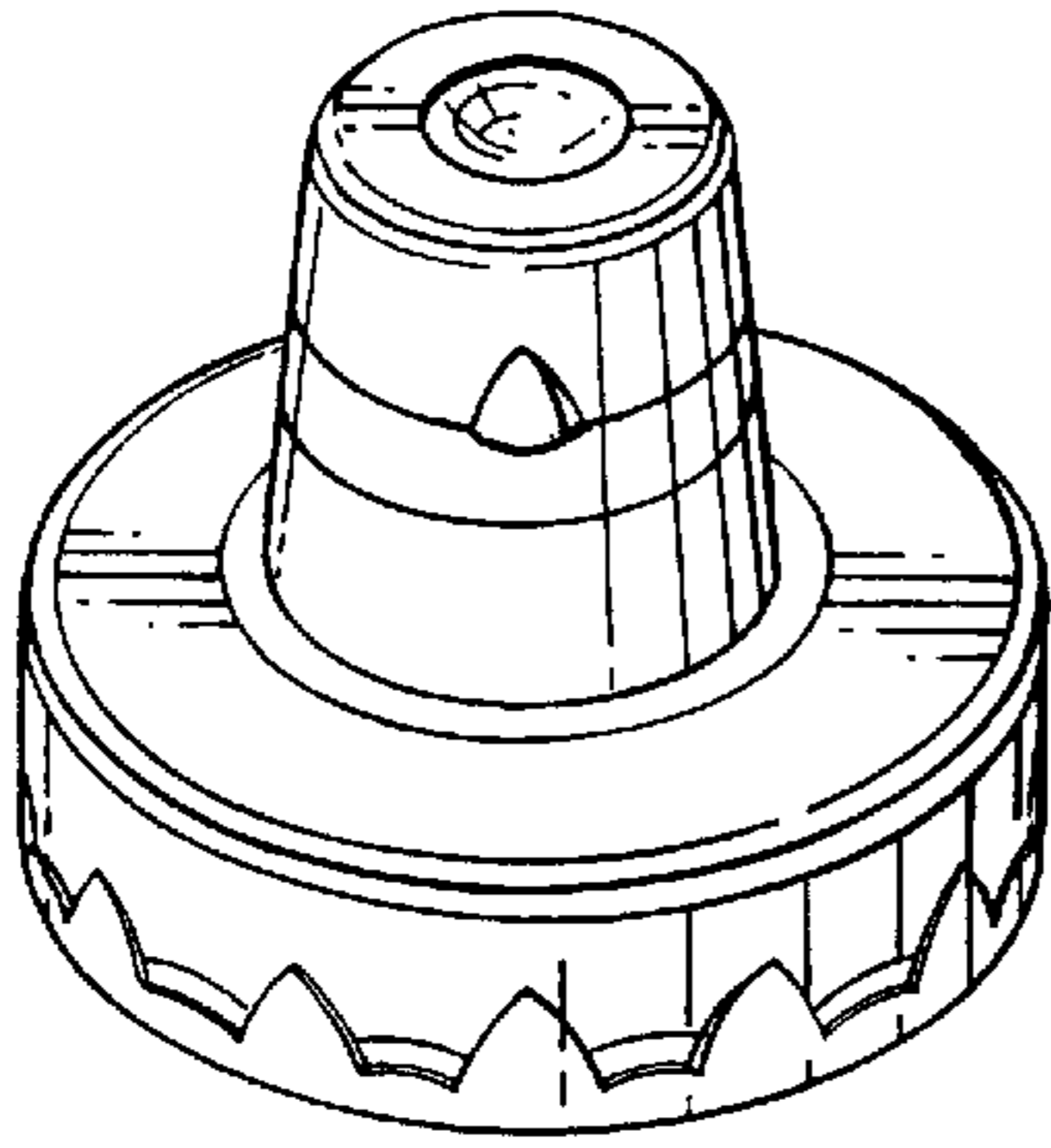


Fig. 1.

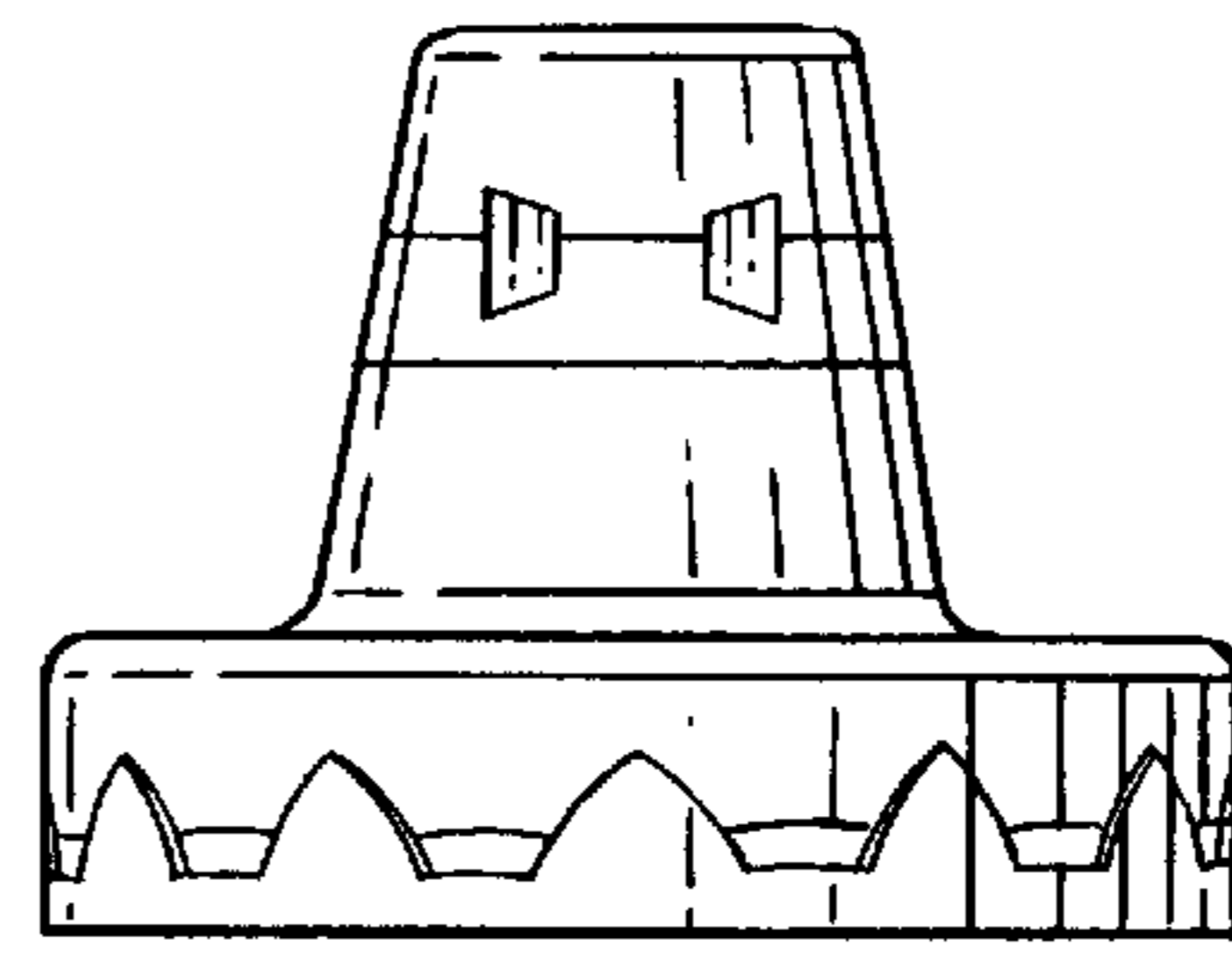


Fig. 2.

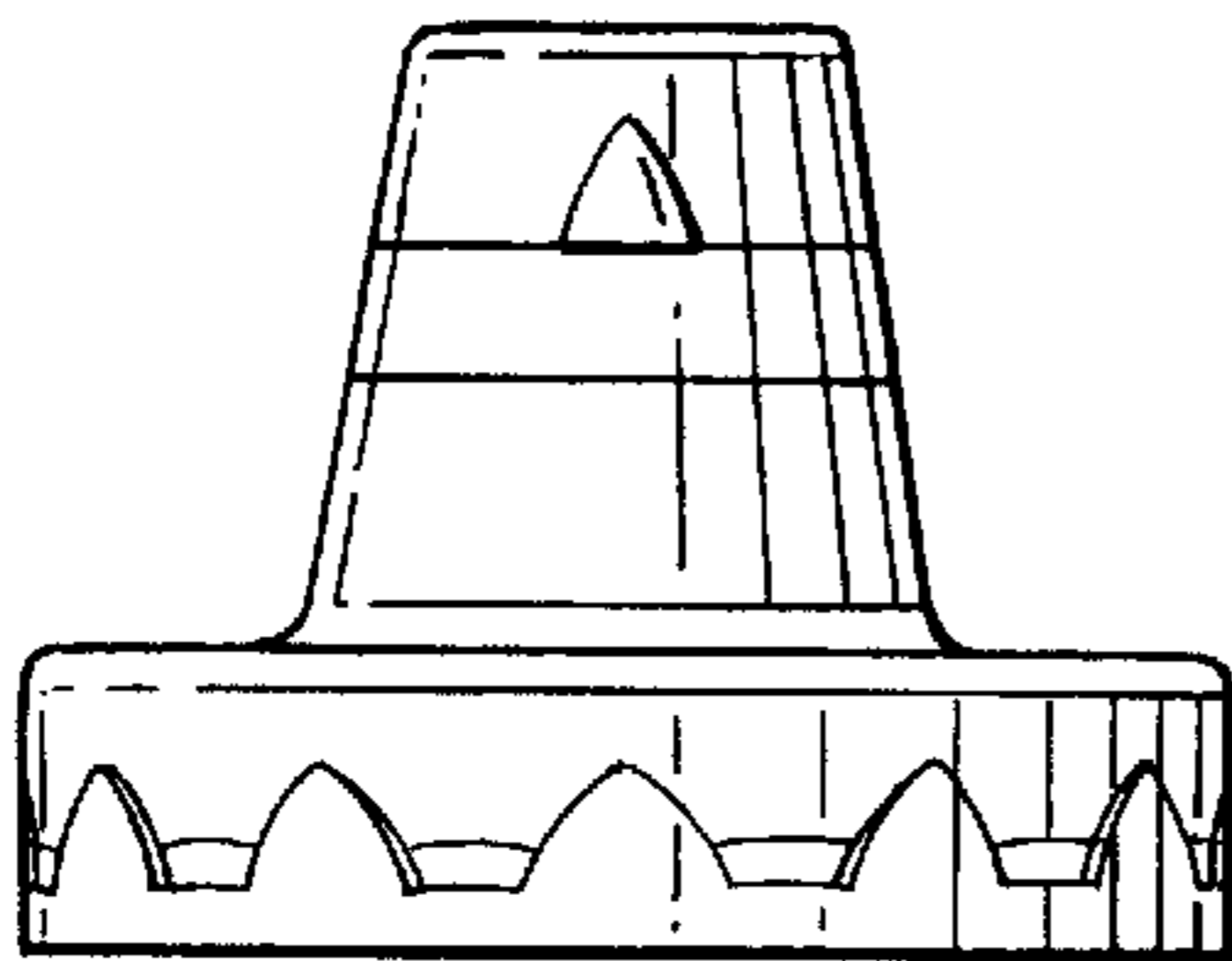


Fig. 3.

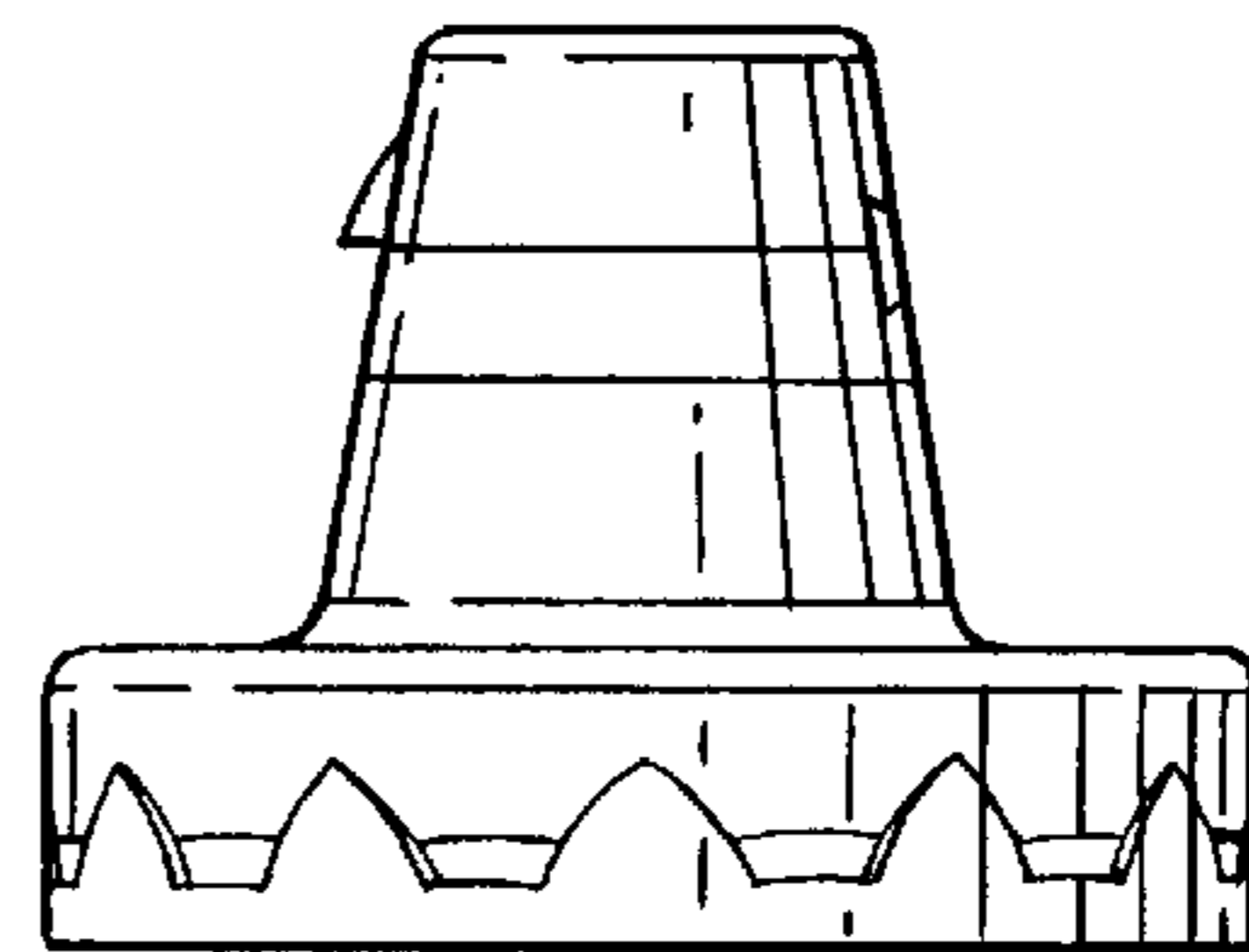


Fig. 4.

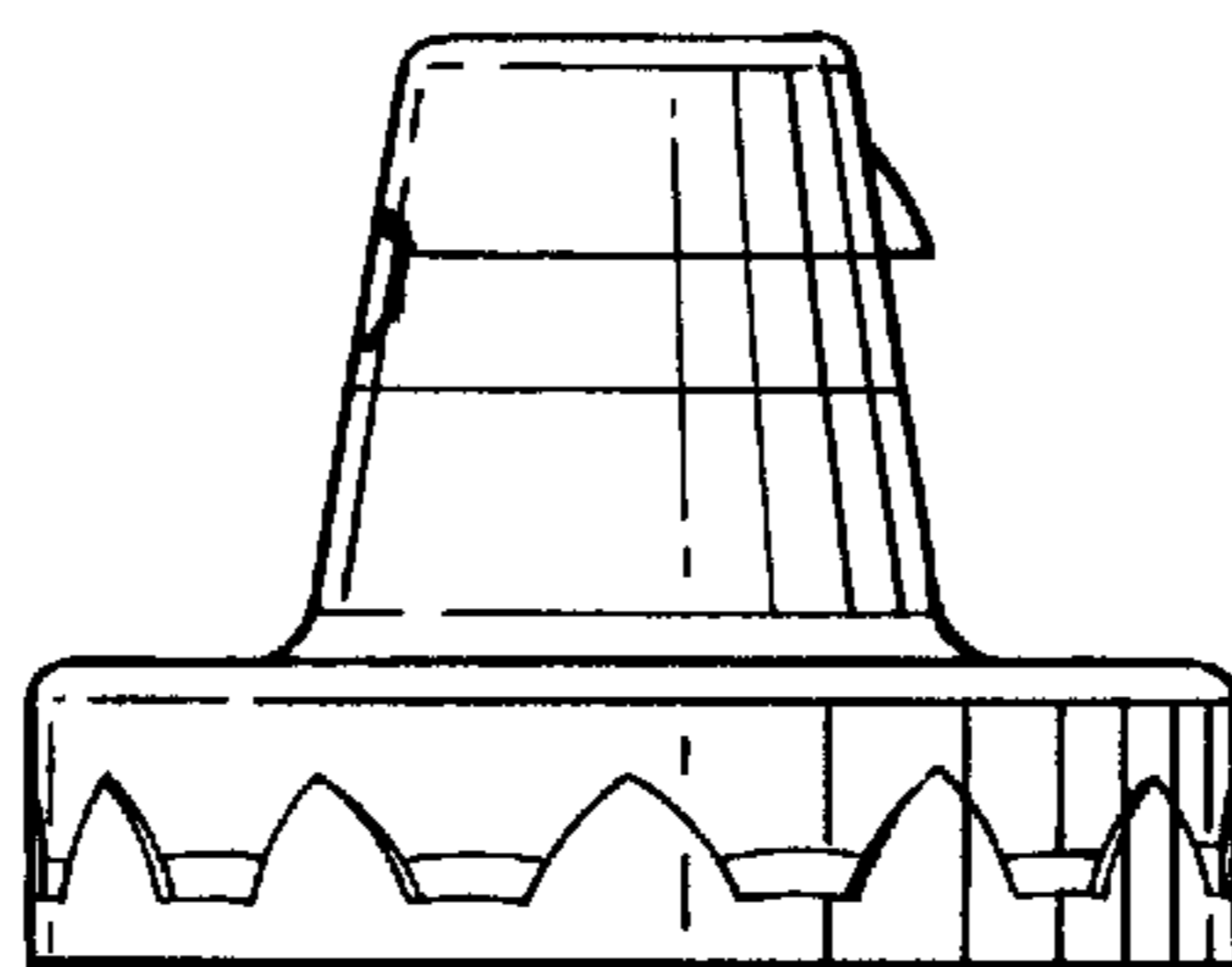


Fig. 5.

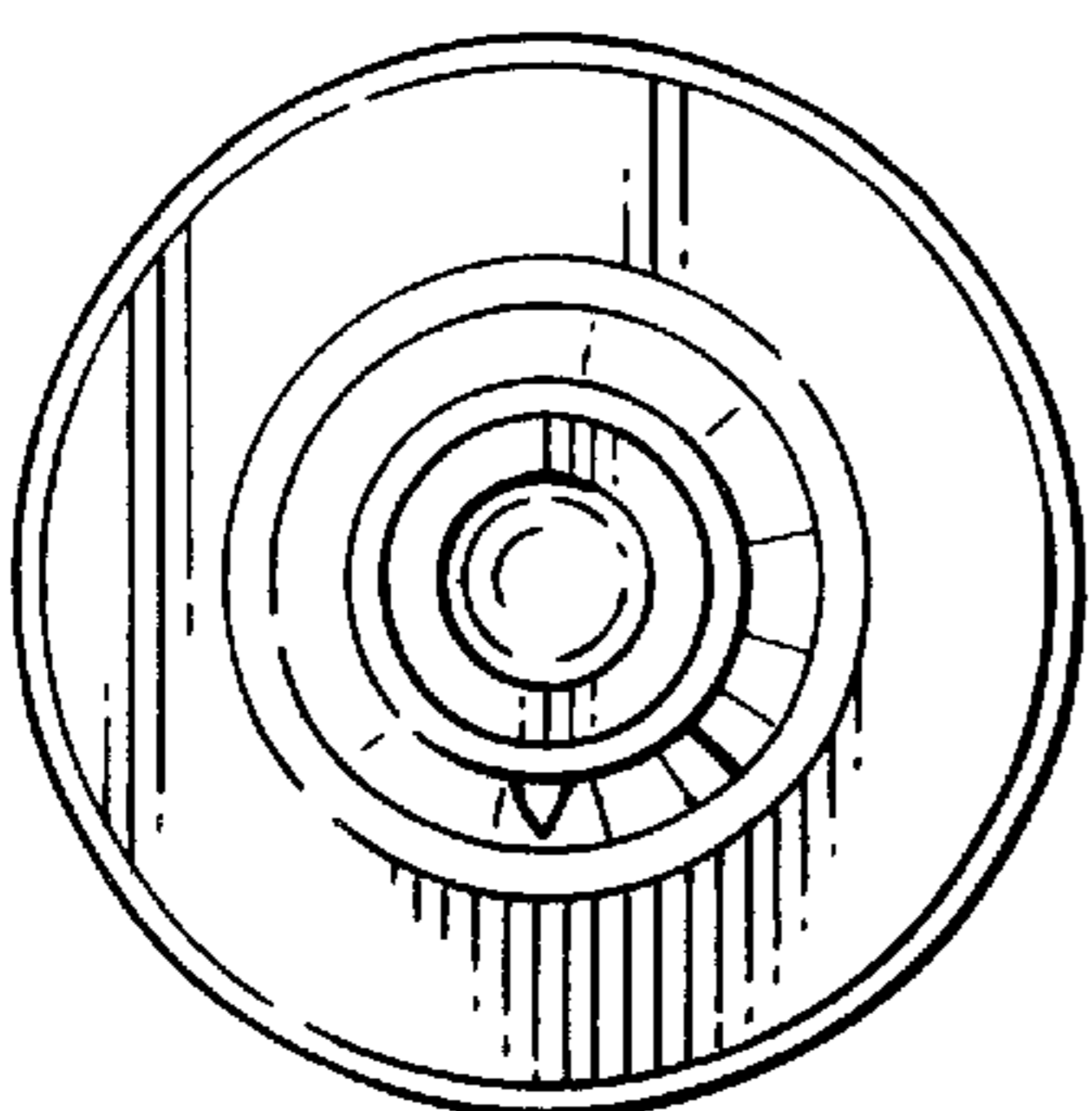


Fig. 6.

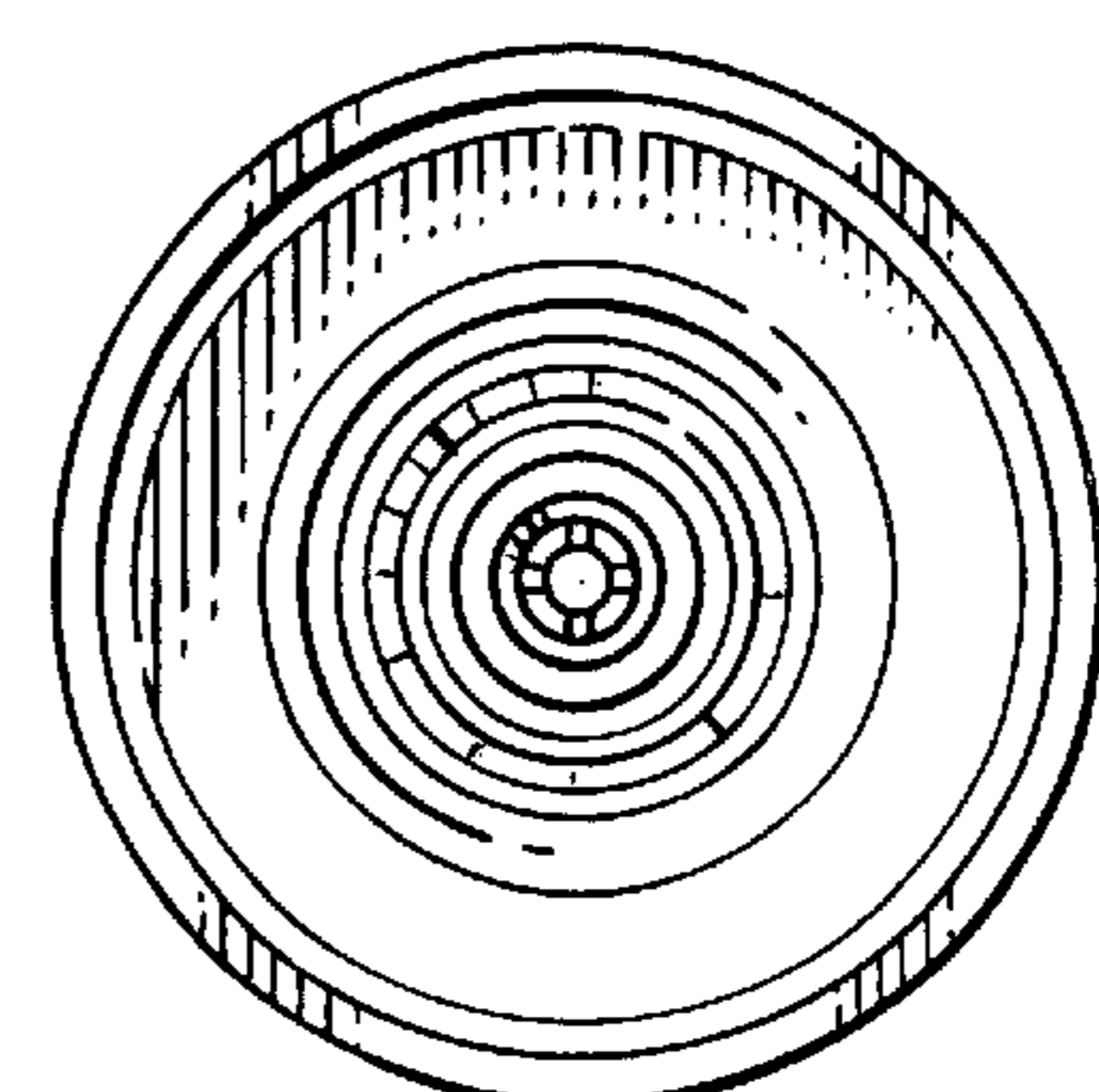


Fig. 7.