



US00D476229S

(12) **United States Design Patent**  
**Skillings**

(10) **Patent No.:** **US D476,229 S**

(45) **Date of Patent:** **\*\* Jun. 24, 2003**

(54) **CONTAINER**

(75) **Inventor:** **Simon James Skillings**, Staffordshire  
(GB)

(73) **Assignee:** **Turner Intellectual Property Limited**  
(GB)

(\*\*) **Term:** **14 Years**

(21) **Appl. No.:** **29/155,645**

(22) **Filed:** **Feb. 12, 2002**

(51) **LOC (7) Cl.** ..... **09-03**

(52) **U.S. Cl.** ..... **D9/432; D9/518; D9/416**

(58) **Field of Search** ..... **D3/294; D9/414,**  
**D9/415, 416, 424, 430, 432, 499; 206/37,**  
**527, 800, 815, 822; 220/200, 256, 260,**  
**284; 422/300; 299/426.5**

(56) **References Cited**

**U.S. PATENT DOCUMENTS**

2,027,624	A	*	1/1936	Bastow	.....	40/7
D274,603	S	*	7/1984	Lien et al.	.....	D9/518
D407,972	S	*	4/1999	Hilton	.....	D9/422
5,950,296	A	*	9/1999	Tatsumi et al.	.....	29/426.5
D422,787	S	*	4/2000	Feng	.....	D3/273
D437,685	S	*	2/2001	Liu	.....	D3/294
2002/0071799	A1	*	6/2002	Wood	.....	422/300

\* cited by examiner

*Primary Examiner*—Ted Shooman

*Assistant Examiner*—Daniel Bui

(74) *Attorney, Agent, or Firm*—Thomas J. Nikolai; Nikolai & Mersereau, P.A.

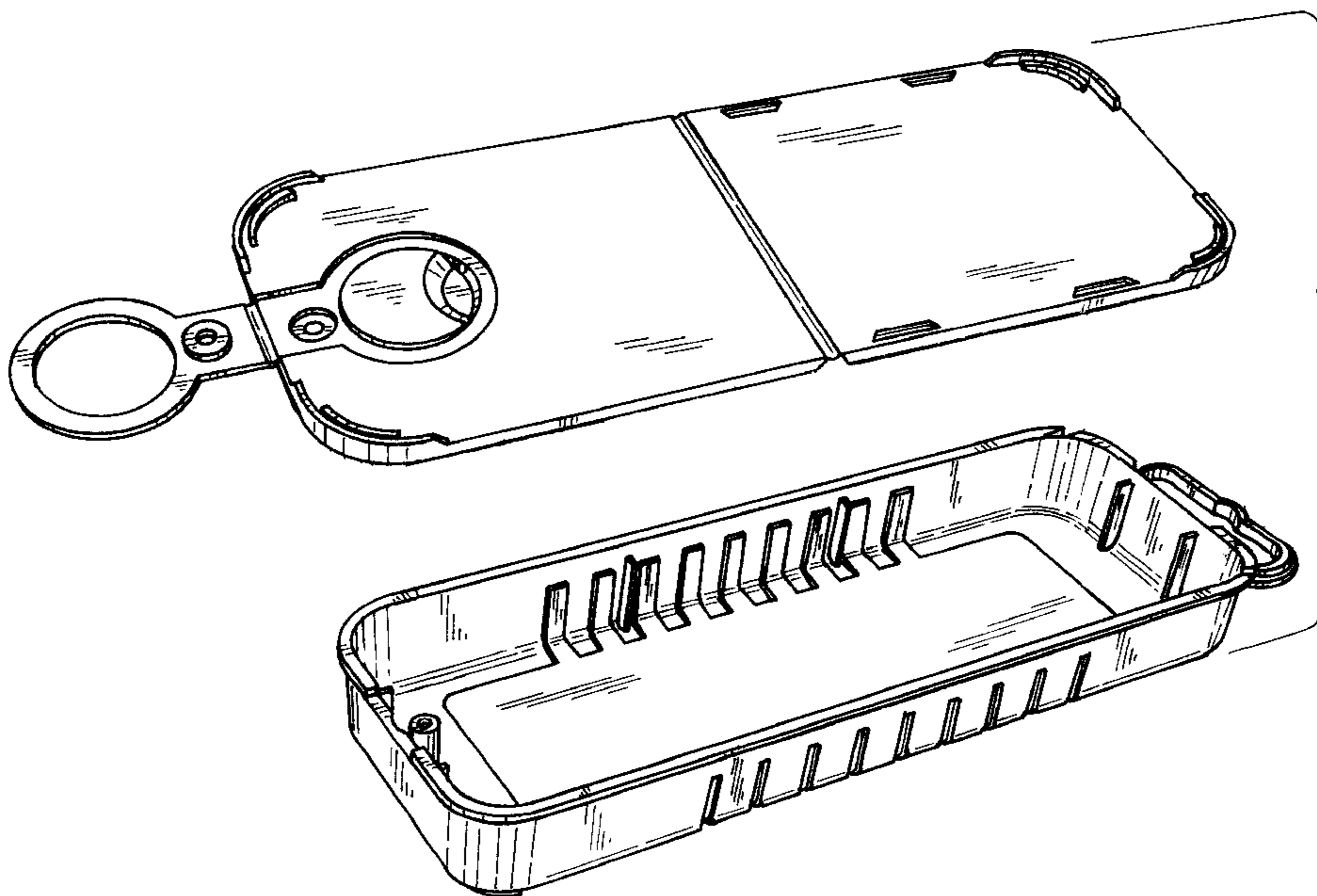
(57) **CLAIM**

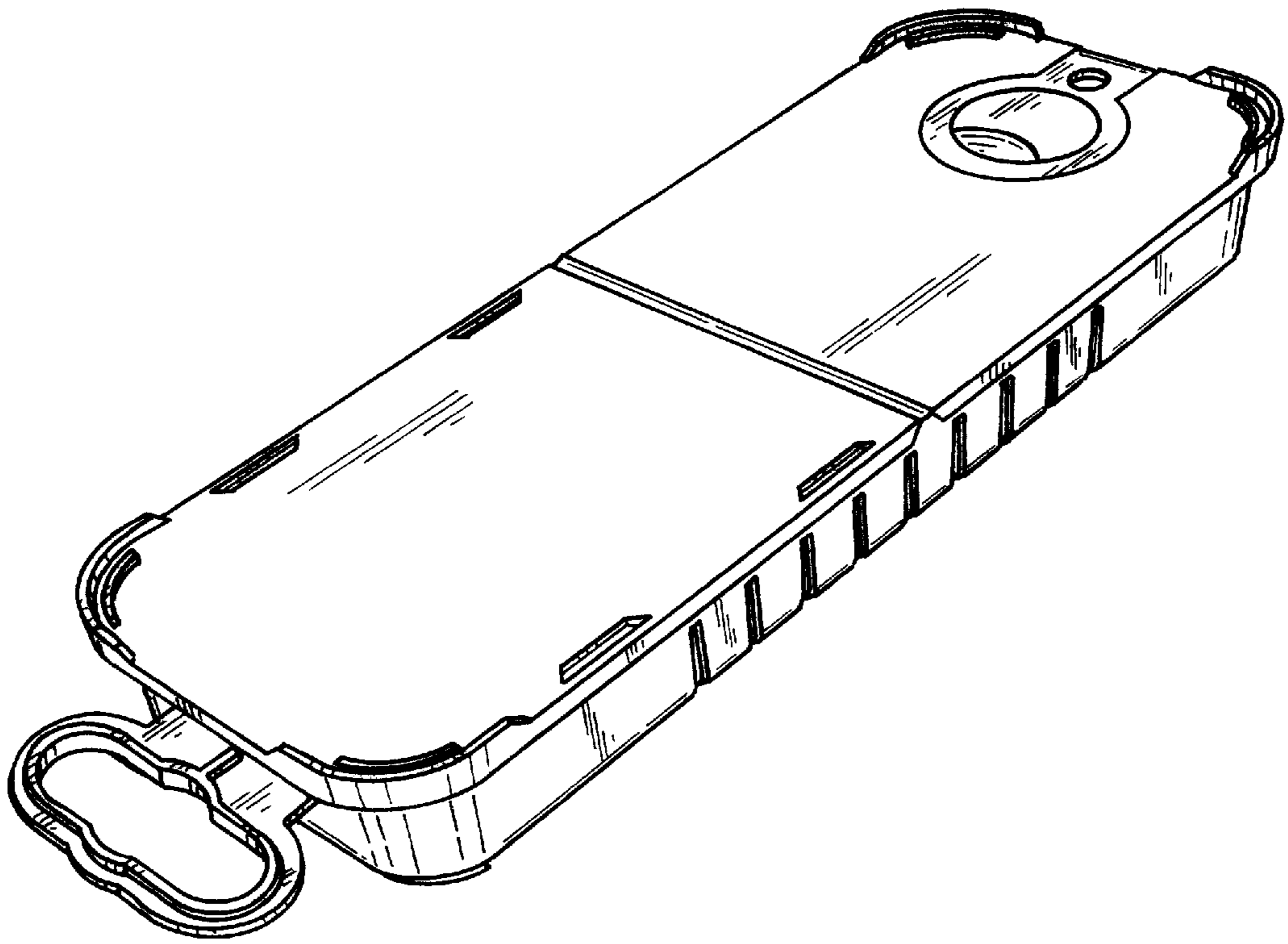
The ornamental design for the “container”, as shown and described.

**DESCRIPTION**

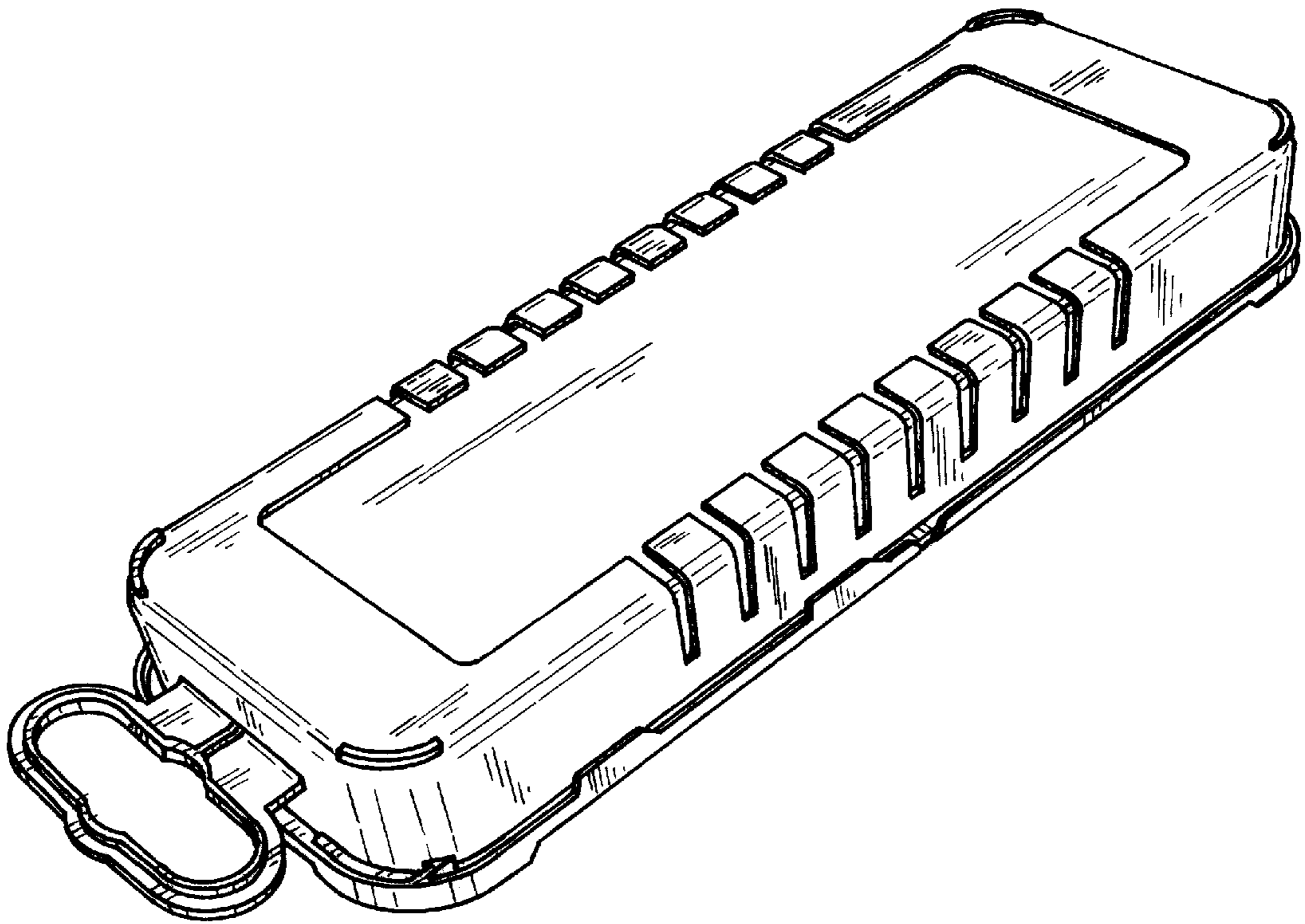
FIG. 1 is a top perspective view of a container showing the new design and having a handle in a first position;  
 FIG. 2 is a bottom perspective view of the container showing the new design;  
 FIG. 3 is an enlarged top plan view of the container with the handle in a first position;  
 FIG. 4 is an enlarged right side elevation view thereof, the left side being a mirror image of the right side;  
 FIG. 5 is an enlarged right side elevation view thereof, the left side being a mirror image of the right side;  
 FIG. 6 is an enlarged rear elevational view thereof;  
 FIG. 7 is an enlarged front elevational view thereof showing the handle in a first position;  
 FIG. 8 is a top perspective view thereof with a handle in a second position;  
 FIG. 9 is an exploded top perspective view showing the handle in a second position and the container’s lid detached from its body portion;  
 FIG. 10 is an exploded bottom perspective view of the container showing the handle in a second position and the lid portion detached from the body portion of the container; and,  
 FIG. 11 is a top perspective view of the container showing the handle in the first position and a securing screw detached therefrom, it being understood that the securing screw has been omitted from FIGS. 1, 3, 8, 9 and 10 for convenience of illustration.

**1 Claim, 8 Drawing Sheets**





*FIG. 1*



*FIG. 2*

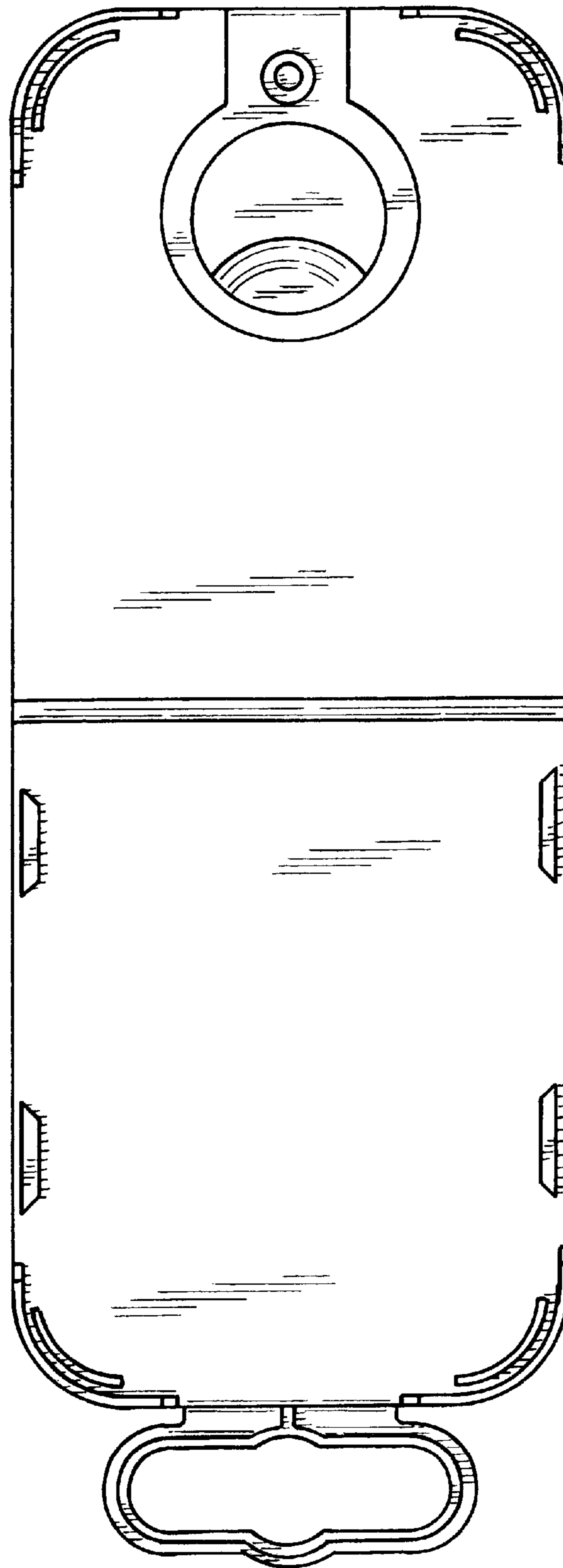
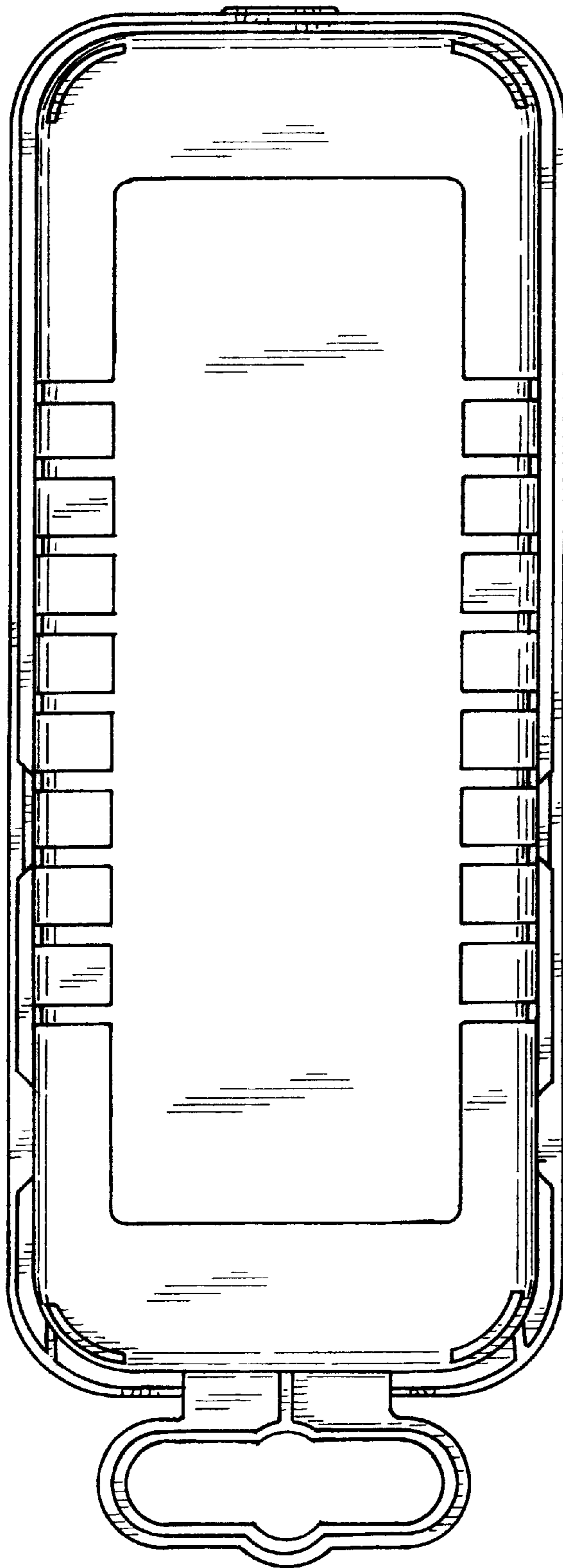


FIG. 3



*FIG. 4*

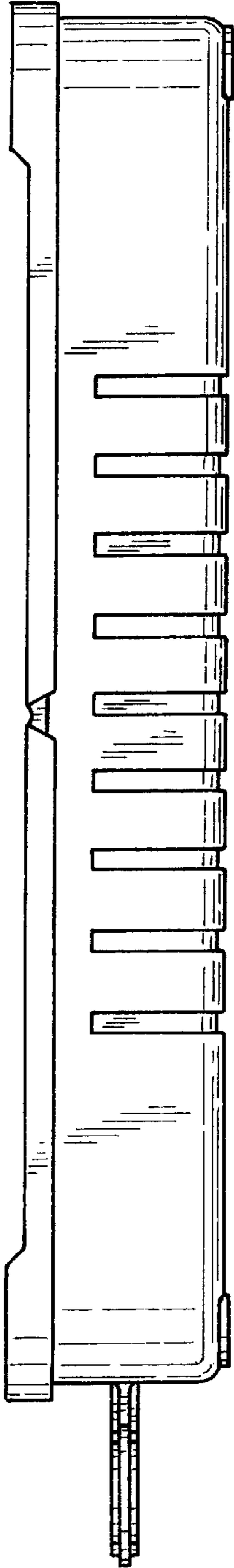


FIG. 5

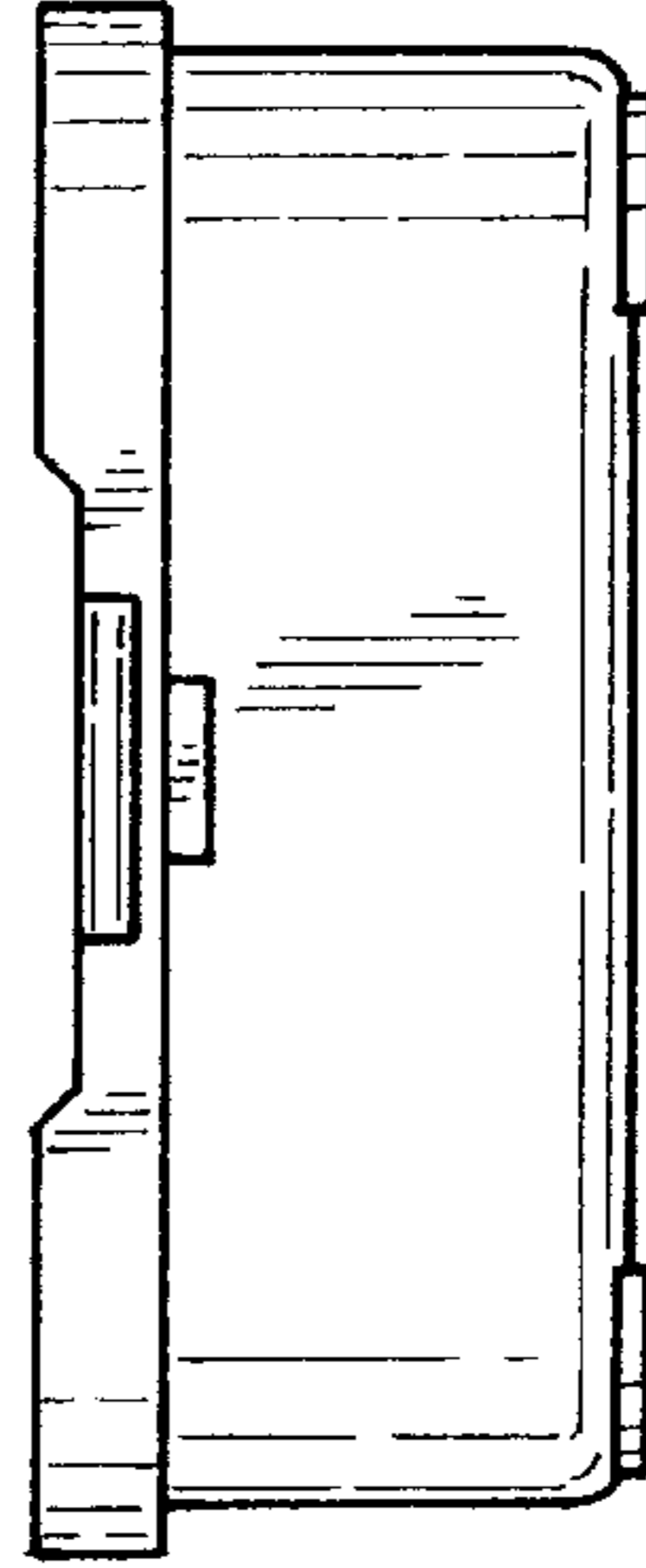


FIG. 7

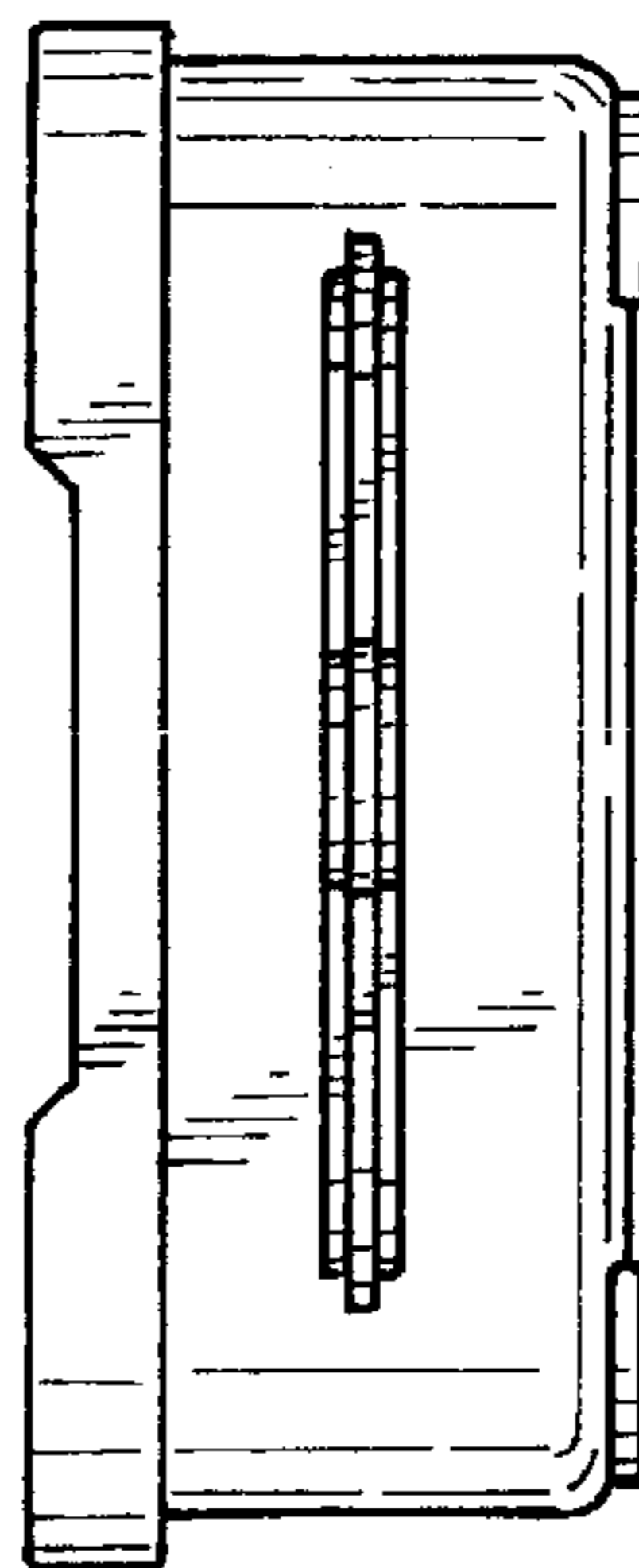


FIG. 6

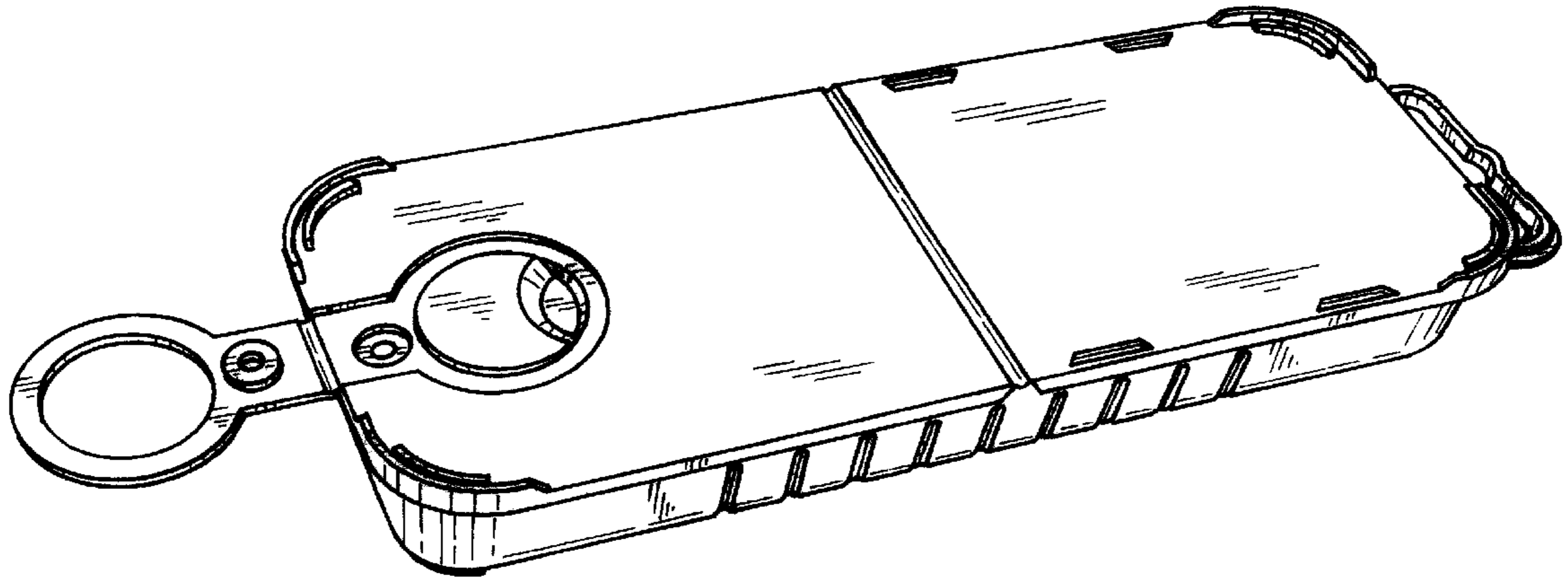


FIG. 8

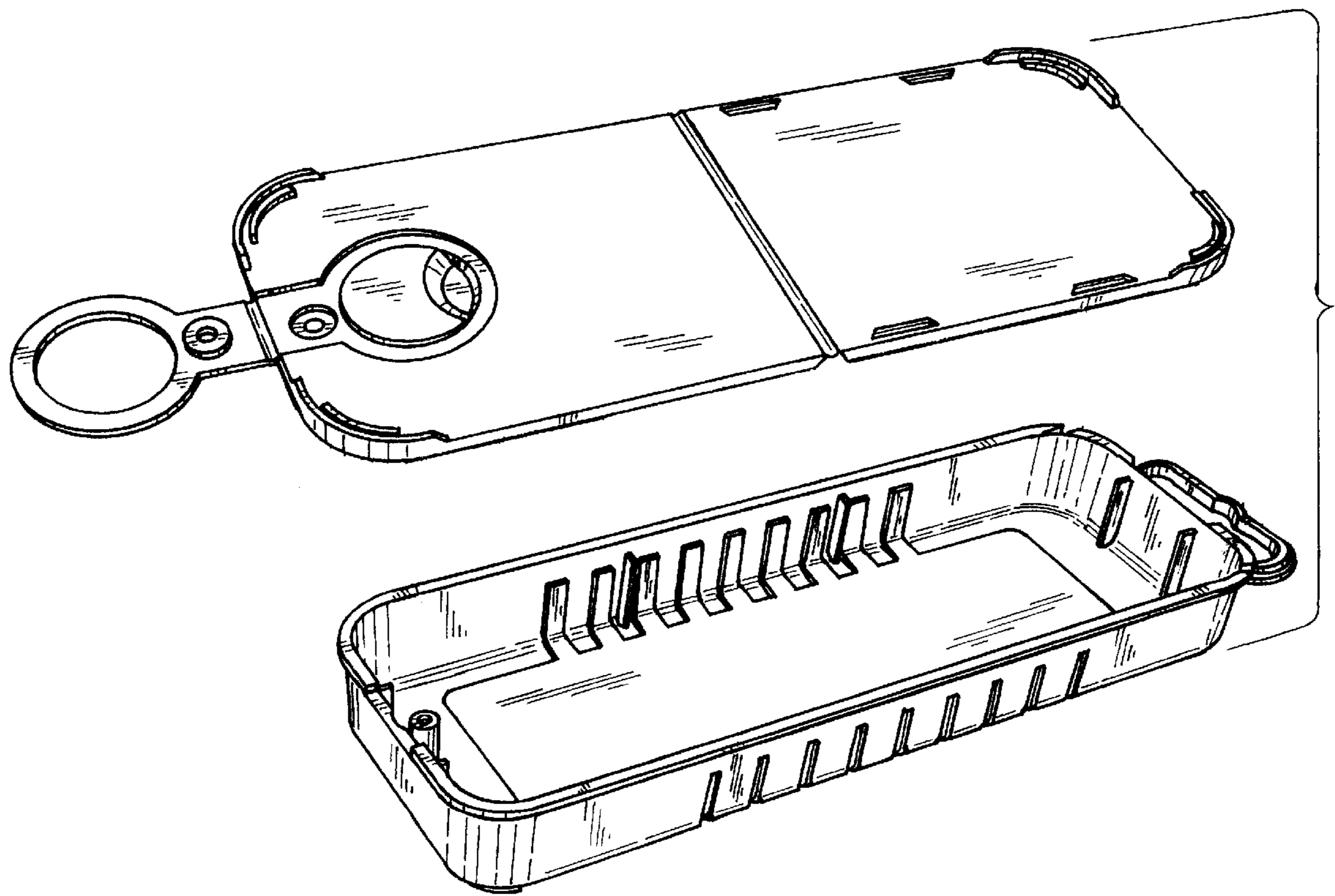


FIG. 9

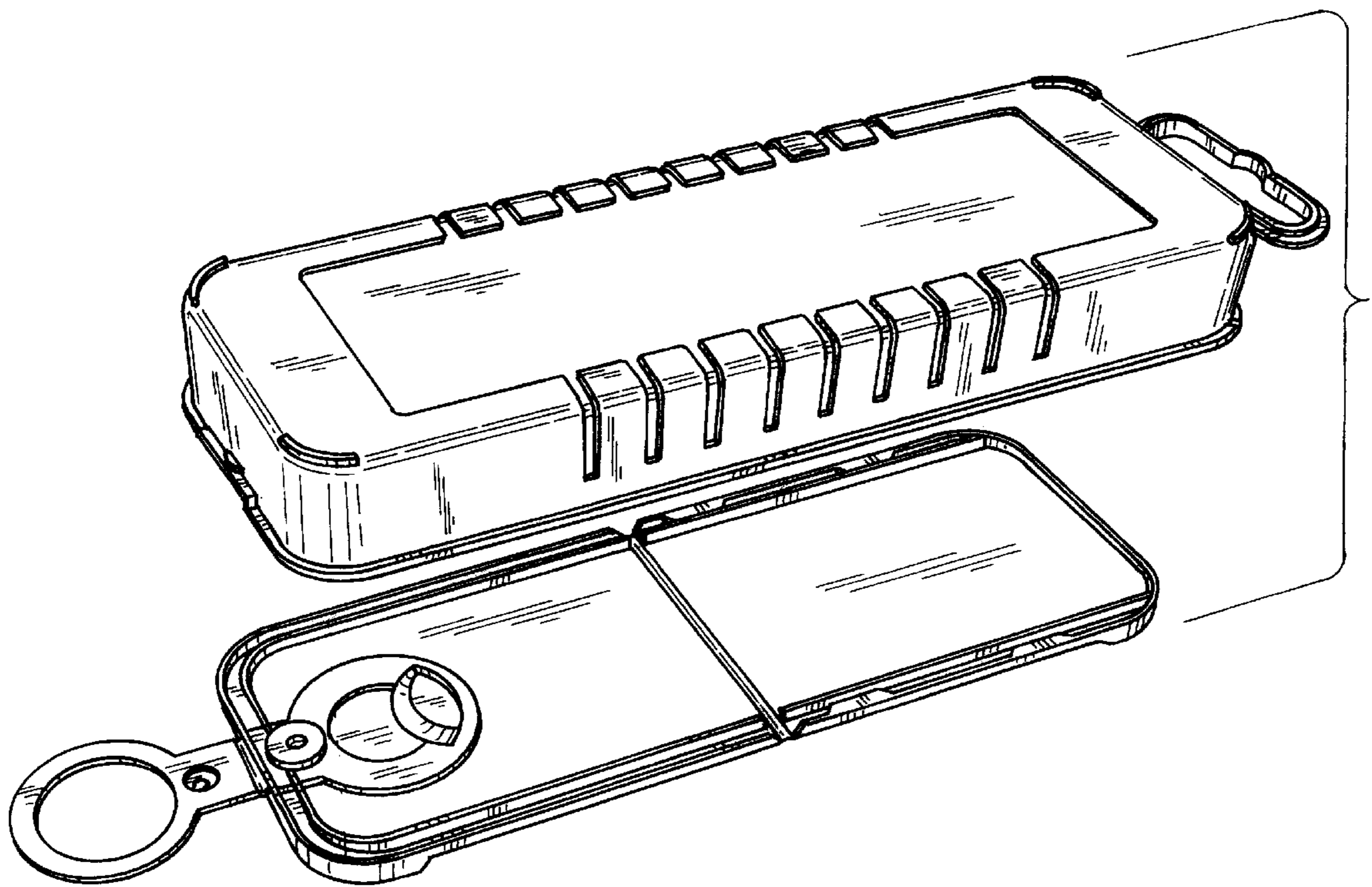
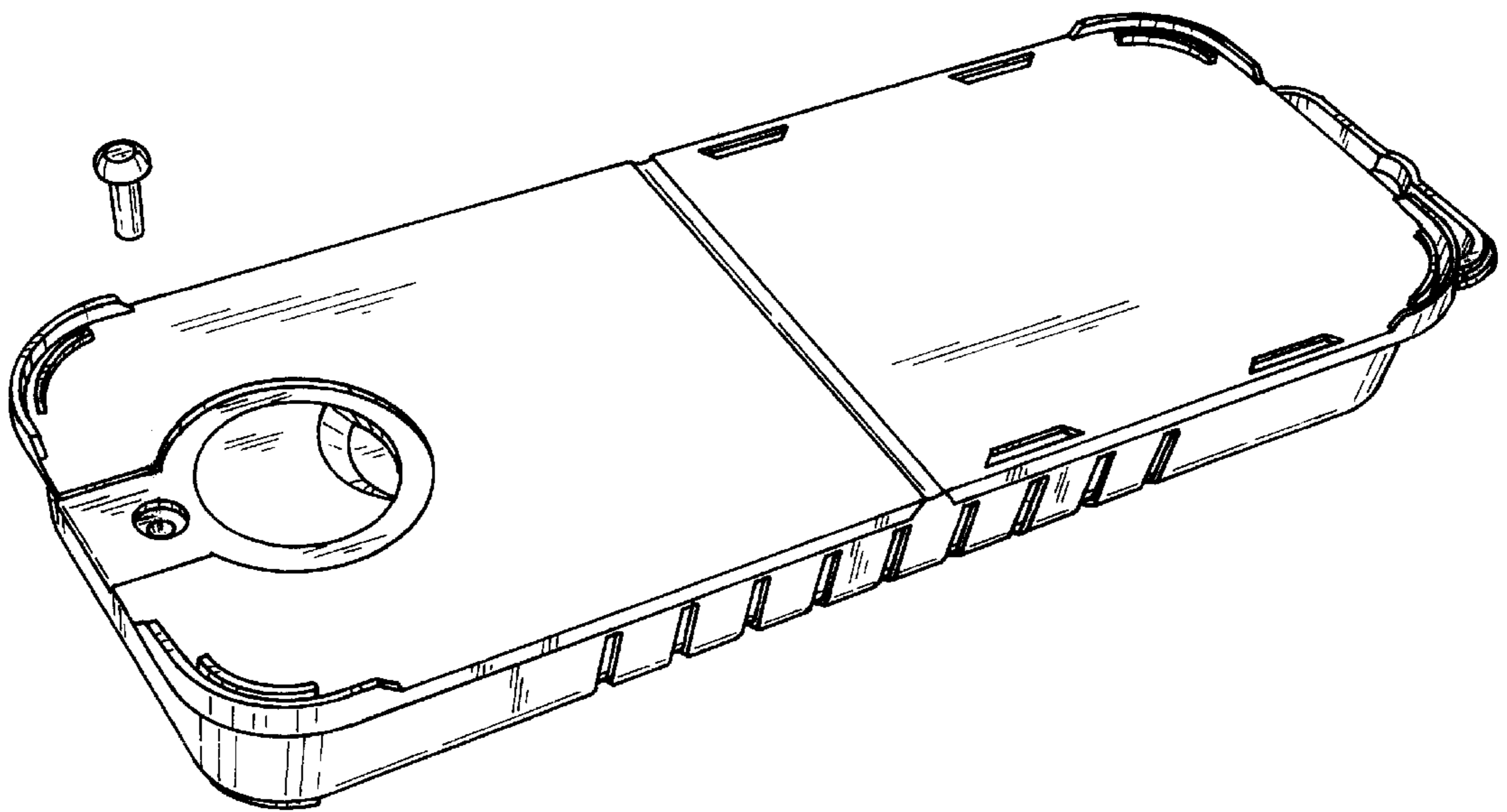


FIG. 10





*FIG. 11*

UNITED STATES PATENT AND TRADEMARK OFFICE  
**CERTIFICATE OF CORRECTION**

PATENT NO. : Des. 476,229 S  
DATED : June 24, 2003  
INVENTOR(S) : Simon James Skillings

Page 1 of 1

It is certified that error appears in the above-identified patent and that said Letters Patent is hereby corrected as shown below:

Title page,

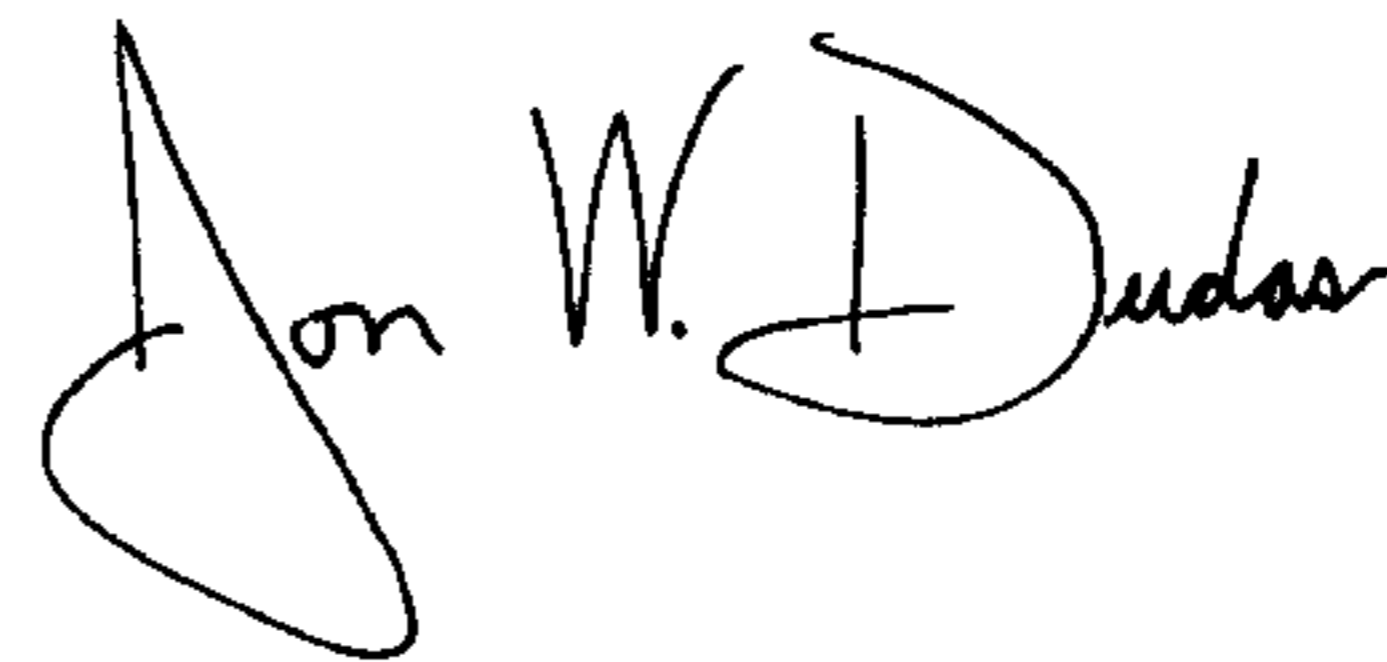
After item “[22] Filed: **Feb. 12, 2002**”, insert

-- [30] **Foreign Application Priority Data**

August 13, 2001 (GB) ..... 2103997 --

Signed and Sealed this

Tenth Day of February, 2004



JON W. DUDAS

*Acting Director of the United States Patent and Trademark Office*