



US00D476228S

(12) **United States Design Patent**  
**Weber**

(10) **Patent No.:** **US D476,228 S**

(45) **Date of Patent:** **\*\* Jun. 24, 2003**

(54) **COMBINED CONTAINER AND CAP**

D402,550 S \* 12/1998 Poisson ..... D9/338  
D424,944 S \* 5/2000 Mohary et al. .... D9/520

(76) Inventor: **Heinz Weber**, 64 Gables Court,  
Beaconsfield, Quebec (CA), H9W 5H4

\* cited by examiner

(\*\*) Term: **14 Years**

*Primary Examiner*—Ted Shooman  
*Assistant Examiner*—Daniel Bui  
(74) *Attorney, Agent, or Firm*—Eric Fincham

(21) Appl. No.: **29/157,889**

(22) Filed: **Mar. 27, 2002**

(57) **CLAIM**

(51) **LOC (7) Cl.** ..... **09-03**

An ornamental design for a combined container and cap, as shown and described.

(52) **U.S. Cl.** ..... **D9/430**

(58) **Field of Search** ..... D9/337-339, 529-530,  
D9/537, 539-540, 542-543, 548-549, 573-575,  
499; 206/204, 37-38, 438, 527; 215/200,  
231, 260, 270-271, 316, 329, 400; 220/200,  
213, 288-289, 290; 221/208, 312 R; 222/173,  
175, 465.1, 544, 548, 555, 575

**DESCRIPTION**

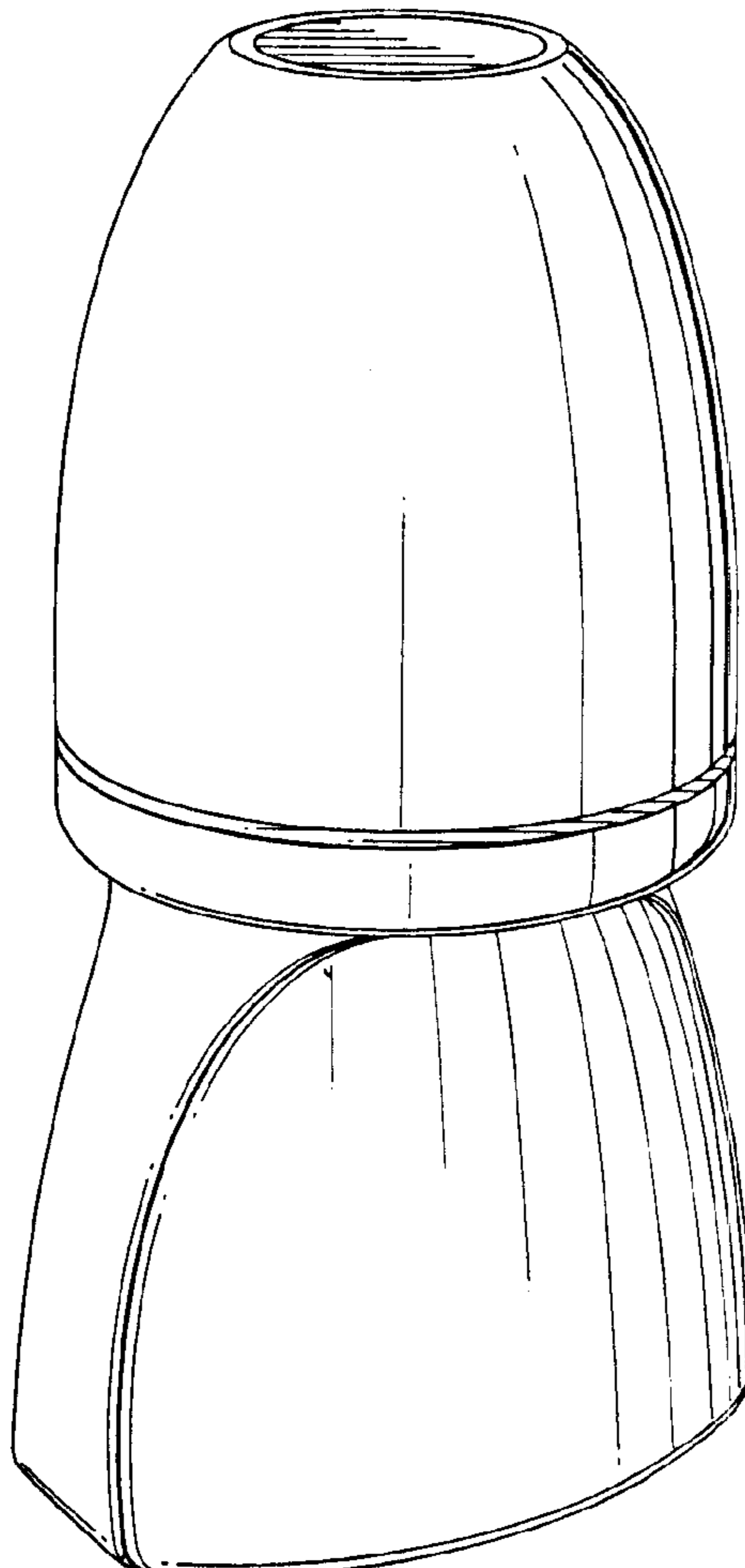
(56) **References Cited**

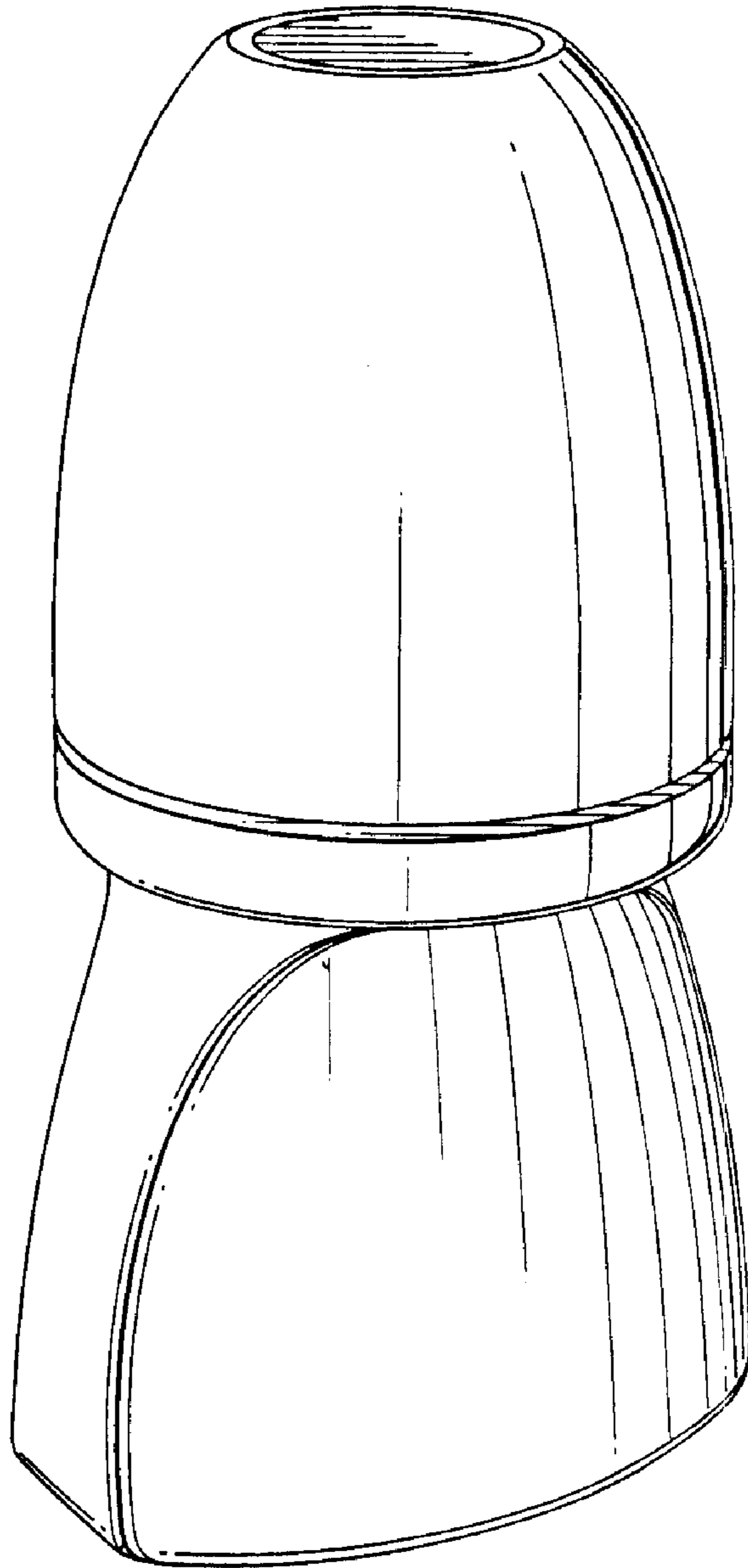
**U.S. PATENT DOCUMENTS**

D250,248 S \* 11/1978 Grip ..... D9/338  
D252,014 S \* 6/1979 Furlong et al. .... D9/529  
D272,723 S \* 2/1984 Baker ..... D9/529

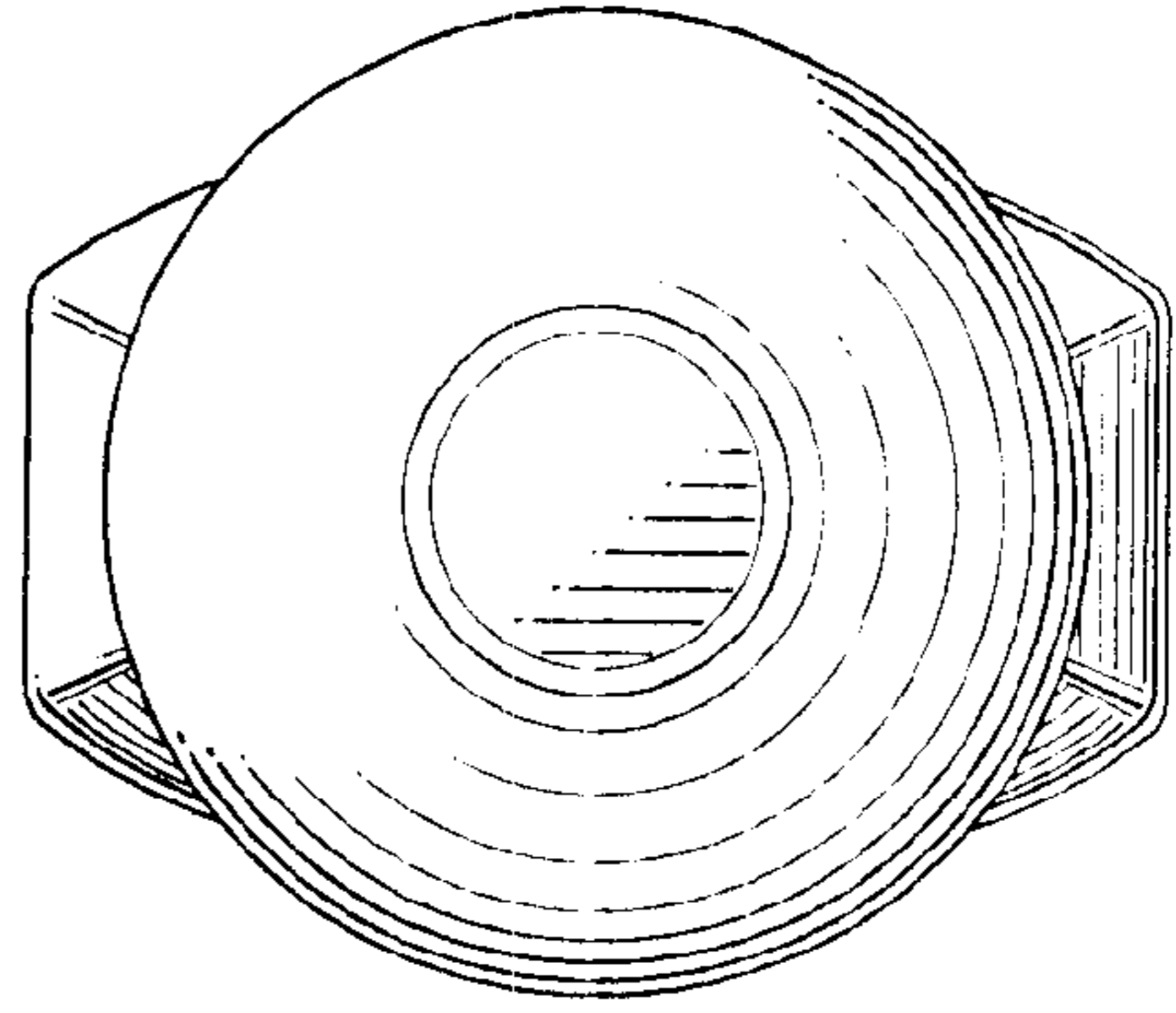
FIG. 1 is a perspective view of the combined container and cap of the instant design;  
FIG. 2 is a front elevational view thereof;  
FIG. 3 is a first end elevational view thereof;  
FIG. 4 is an top plan view thereof;  
FIG. 5 is a rear elevational view thereof;  
FIG. 6 is a second end elevational view thereof; and,  
FIG. 7 is a bottom plan view thereof.  
The broken line showing of environment is for illustrative purposes only and forms no part of the claimed design.

**1 Claim, 3 Drawing Sheets**

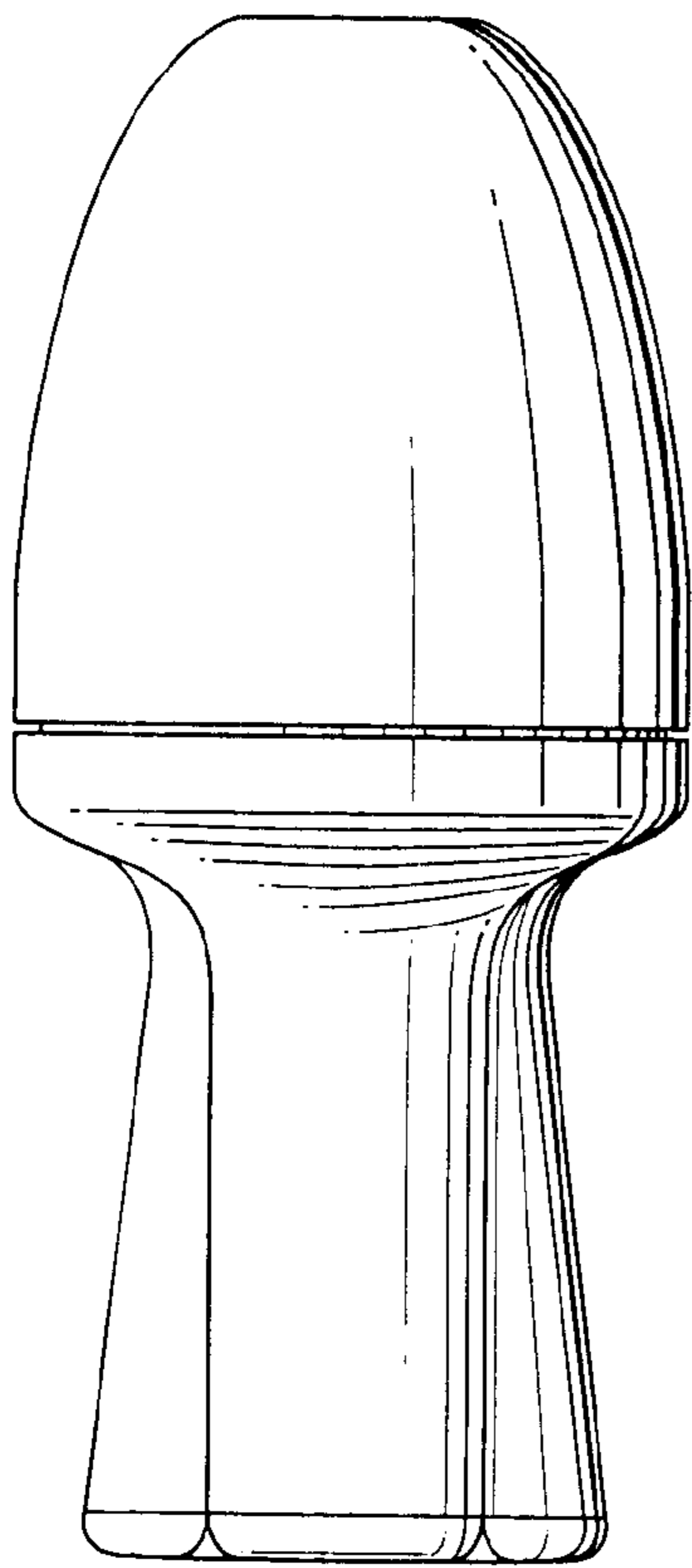




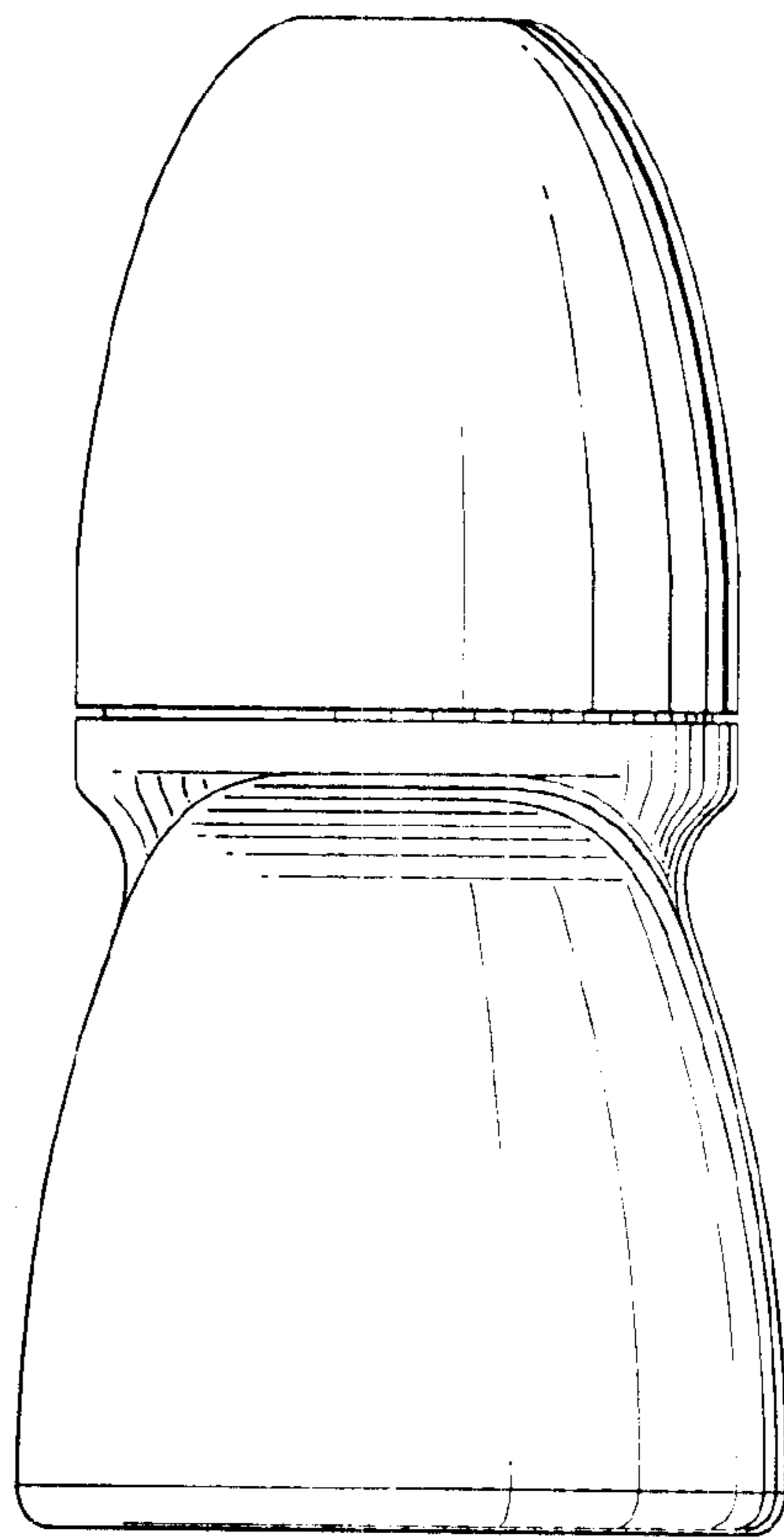
**Fig-1**



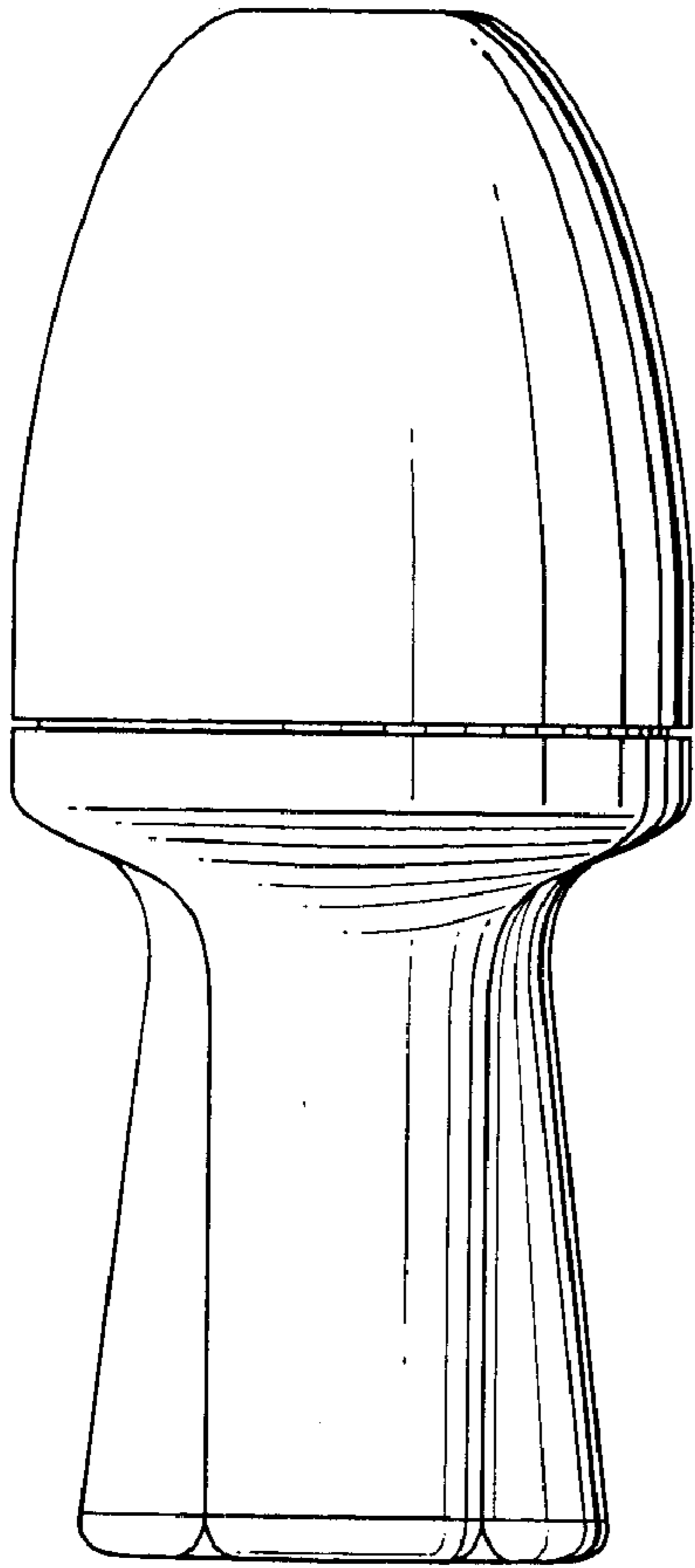
**Fig-4**



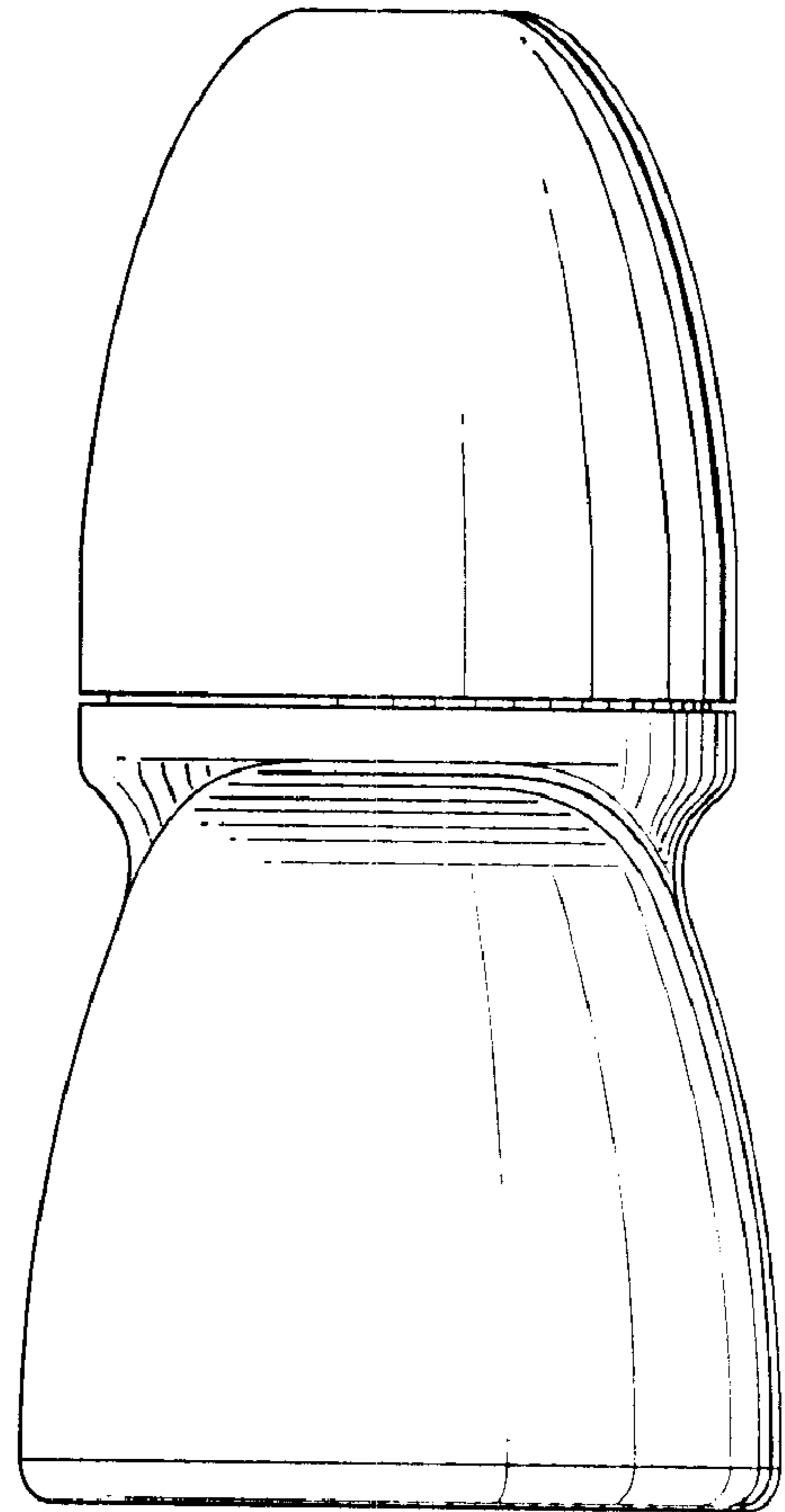
**Fig-3**



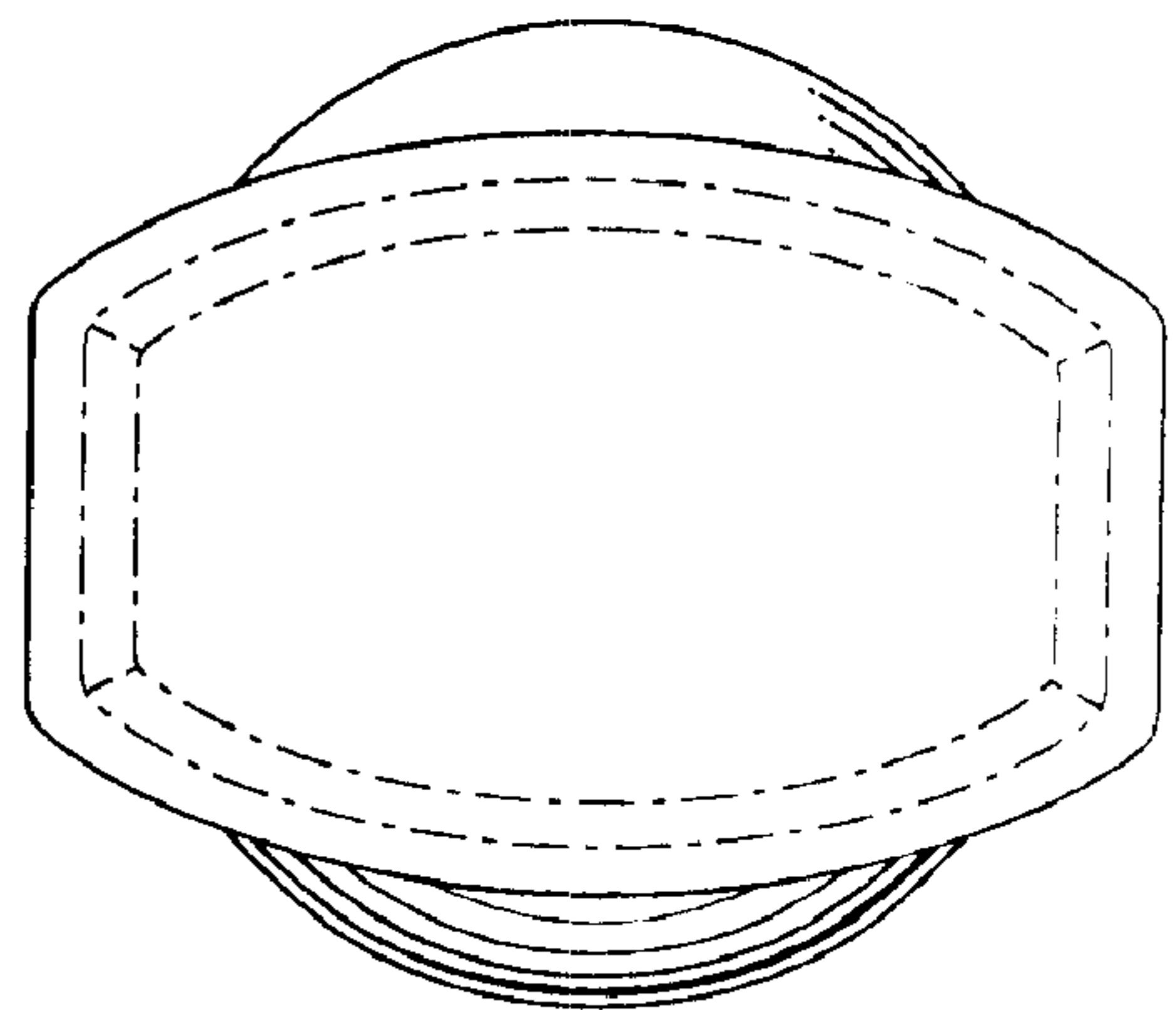
**Fig-2**



**Fig-6**



**Fig-5**



**Fig-7**