



US00D476224S

(12) **United States Design Patent**
de Baschmakoff et al.

(10) **Patent No.:** **US D476,224 S**

(45) **Date of Patent:** **** *Jun. 24, 2003**

(54) **SPRAY FOR LIQUID MEDIA**

(75) Inventors: **Thierry de Baschmakoff**, Paris (FR);
Esther Amann, Radolfzell (DE)

(73) Assignee: **Ing. Erich Pfeiffer GmbH** (DE)

(*) Notice: This patent is subject to a terminal disclaimer.

(**) Term: **14 Years**

(21) Appl. No.: **29/157,581**

(22) Filed: **Mar. 21, 2002**

(30) **Foreign Application Priority Data**

Sep. 22, 2001 (DE) 4 01 08 607

(51) **LOC (7) Cl.** **09-01**

(52) **U.S. Cl.** **D9/300**

(58) **Field of Search** D9/300, 436, 448,
D9/449, 450, 503, 544, 545; 222/153.01,
153.11, 153.12, 153.13, 153.14, 321.7,
321.8, 321.9, 402.21, 402.1, 402.24, 402.11;
D28/91.1

(56) **References Cited**

U.S. PATENT DOCUMENTS

- 3,474,939 A * 10/1969 O'Donnell et al. 222/402.11
- D218,552 S * 9/1970 Nigro D9/300
- D218,553 S * 9/1970 Nigro D9/300
- D242,120 S * 11/1976 Berenstein D9/300
- D310,022 S * 8/1990 Anderson D9/300
- D347,165 S * 5/1994 Schneider D9/300
- D351,337 S * 10/1994 Bonnema et al. D9/300
- D427,899 S * 7/2000 Bougamont et al. D9/300

OTHER PUBLICATIONS

2 pages from a catalog published by Pfeiffer Vaporisateurs S.A.R.L., France 2000.

* cited by examiner

Primary Examiner—Paula A. Mortimer

(74) *Attorney, Agent, or Firm*—Akerman Senterfitt

(57) **CLAIM**

The ornamental design for a spray for liquid media, as shown and described.

DESCRIPTION

FIG. 1: is a side perspective view of a spray for liquid media showing our new design;

FIG. 2: is another side perspective view of the spray shown in FIG. 1, whereas the actuation button is in the pressed position;

FIG. 3: is a side elevation view of the spray in FIG. 1 (the opposite side being a mirror image);

FIG. 4: is a top plan view of the spray in FIG. 1;

FIG. 5: is a front elevation view of the spray in FIG. 1;

FIG. 6: is a bottom plan view of the spray in FIG. 1;

FIG. 7: is a side perspective view of a second embodiment of a pump for liquid media as in FIG. 1, the difference being that some parts are shown in broken lines.

FIG. 8: is a another side perspective view of the spray in FIG. 7, whereas the actuation button is in the pressed position;

FIG. 9: is a side elevation view of the spray in FIG. 7 (the opposite side being a mirror image);

FIG. 10: is a top plan view of the spray in FIG. 7;

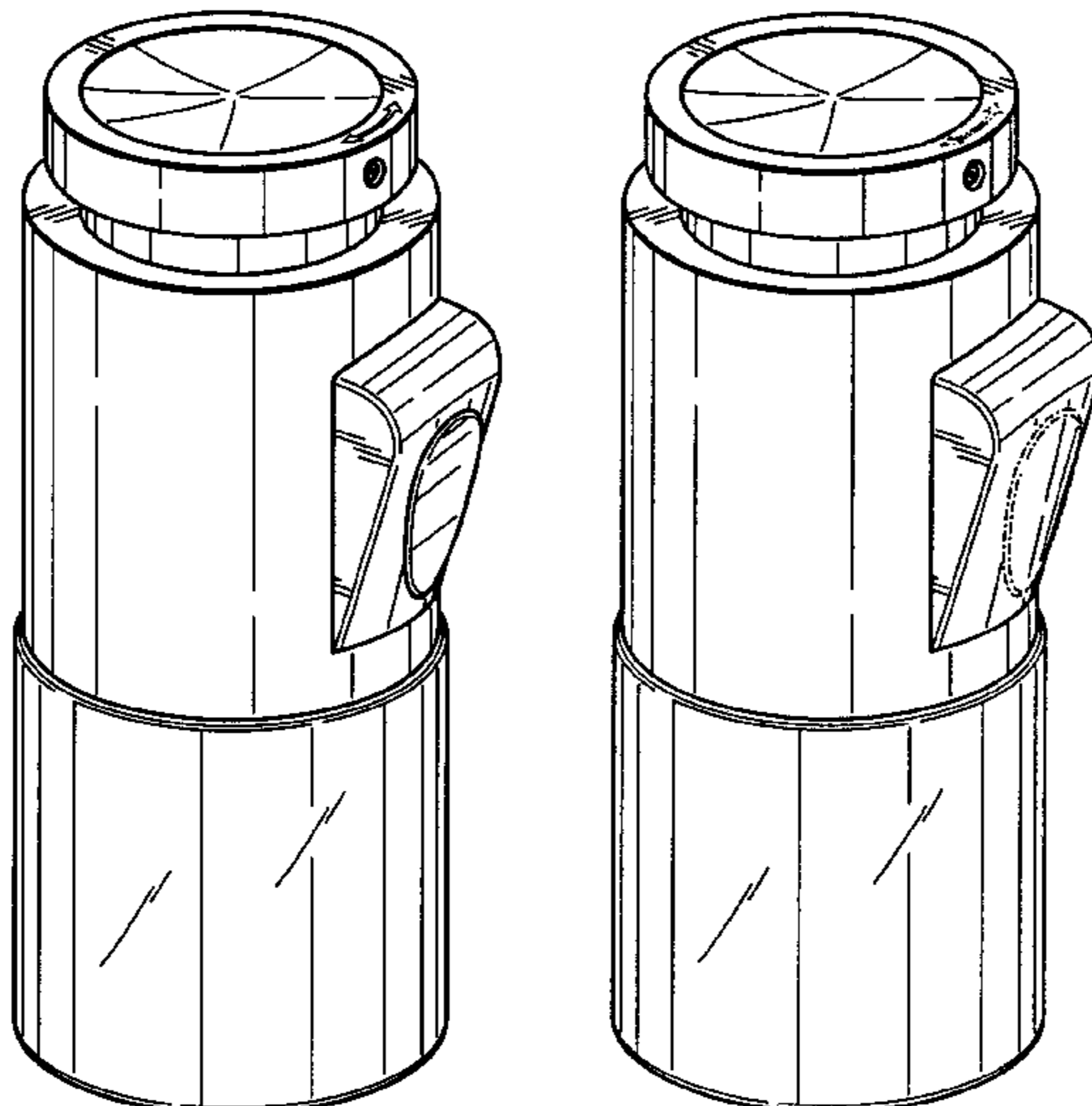
FIG. 11: is a front elevation view of the spray in FIG. 7;

FIG. 12: is a bottom plan view of the spray in FIG. 7; and,

FIG. 13: is a back elevation view of the spray for liquid media.

The broken lines shown in these figures are for illustrative purposes only and form no part of the claimed design.

1 Claim, 4 Drawing Sheets



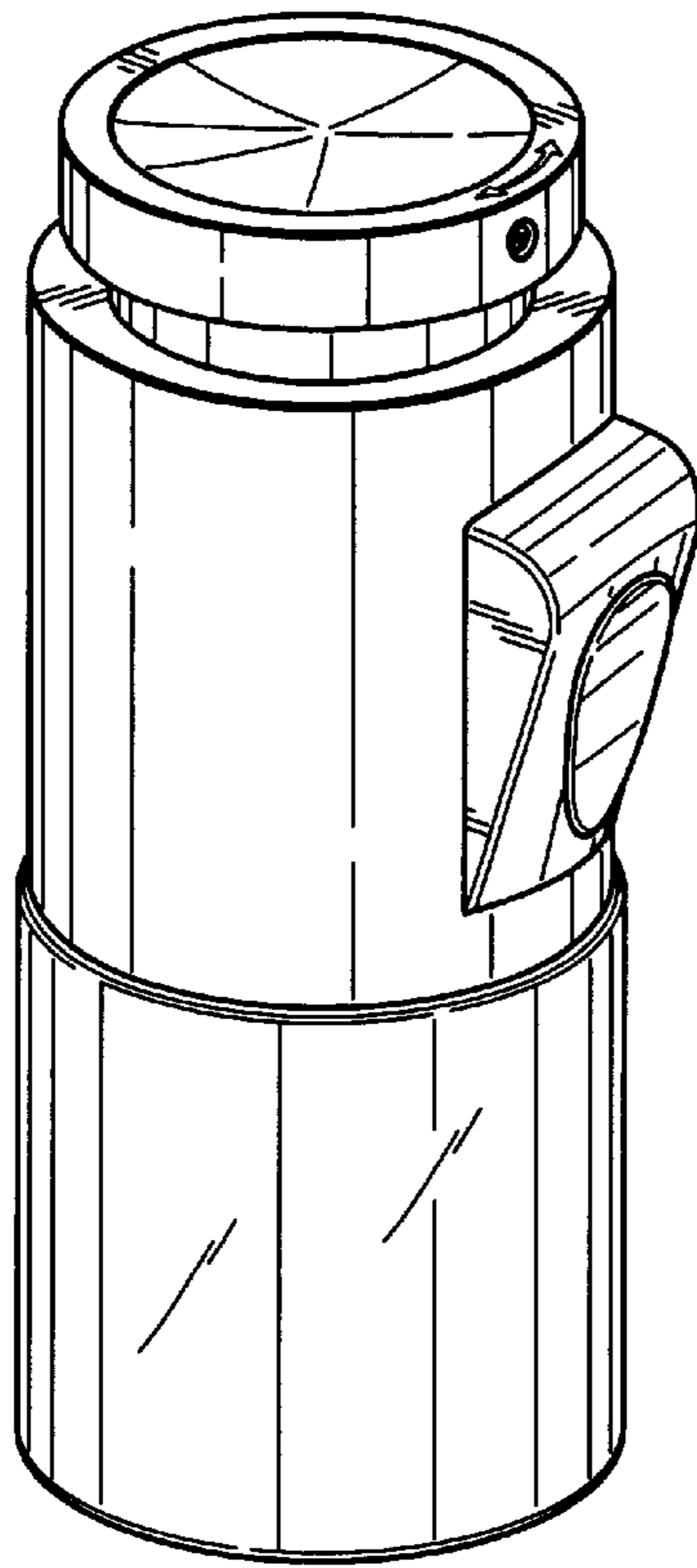


FIG. 1

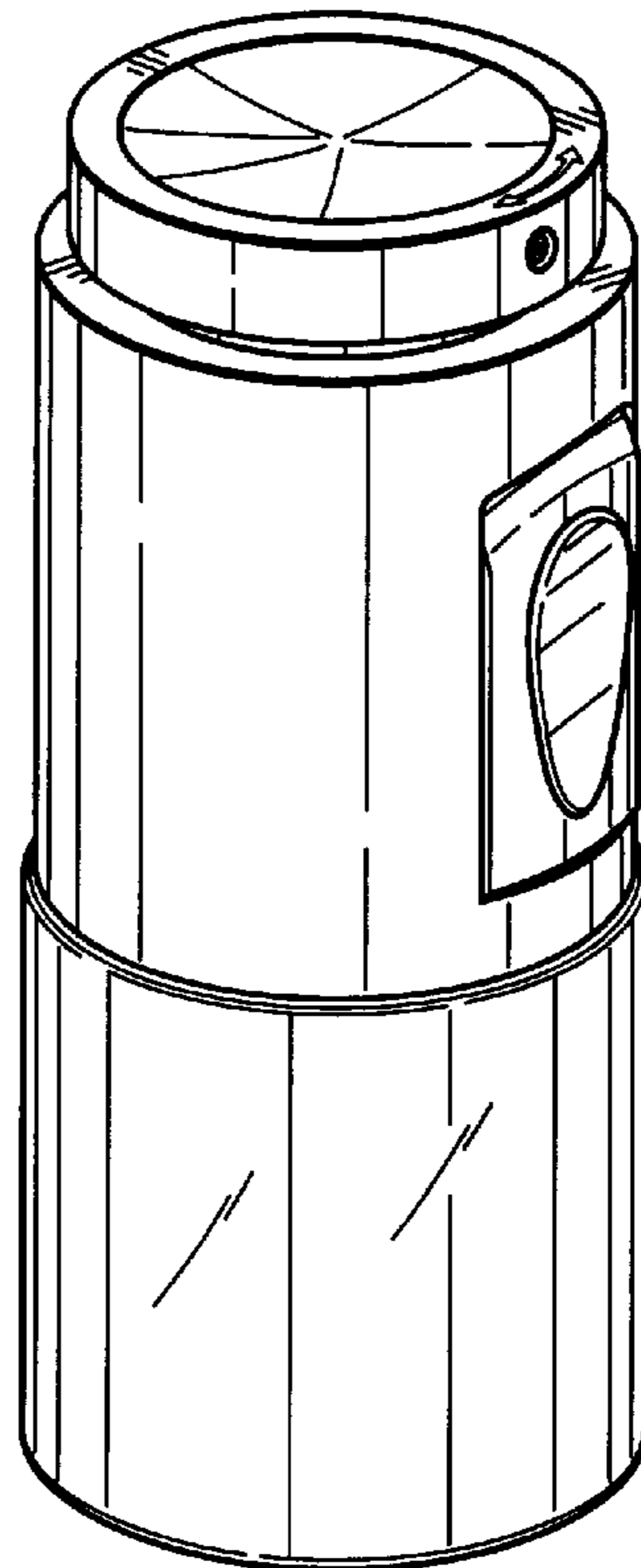


FIG. 2

FIG. 4

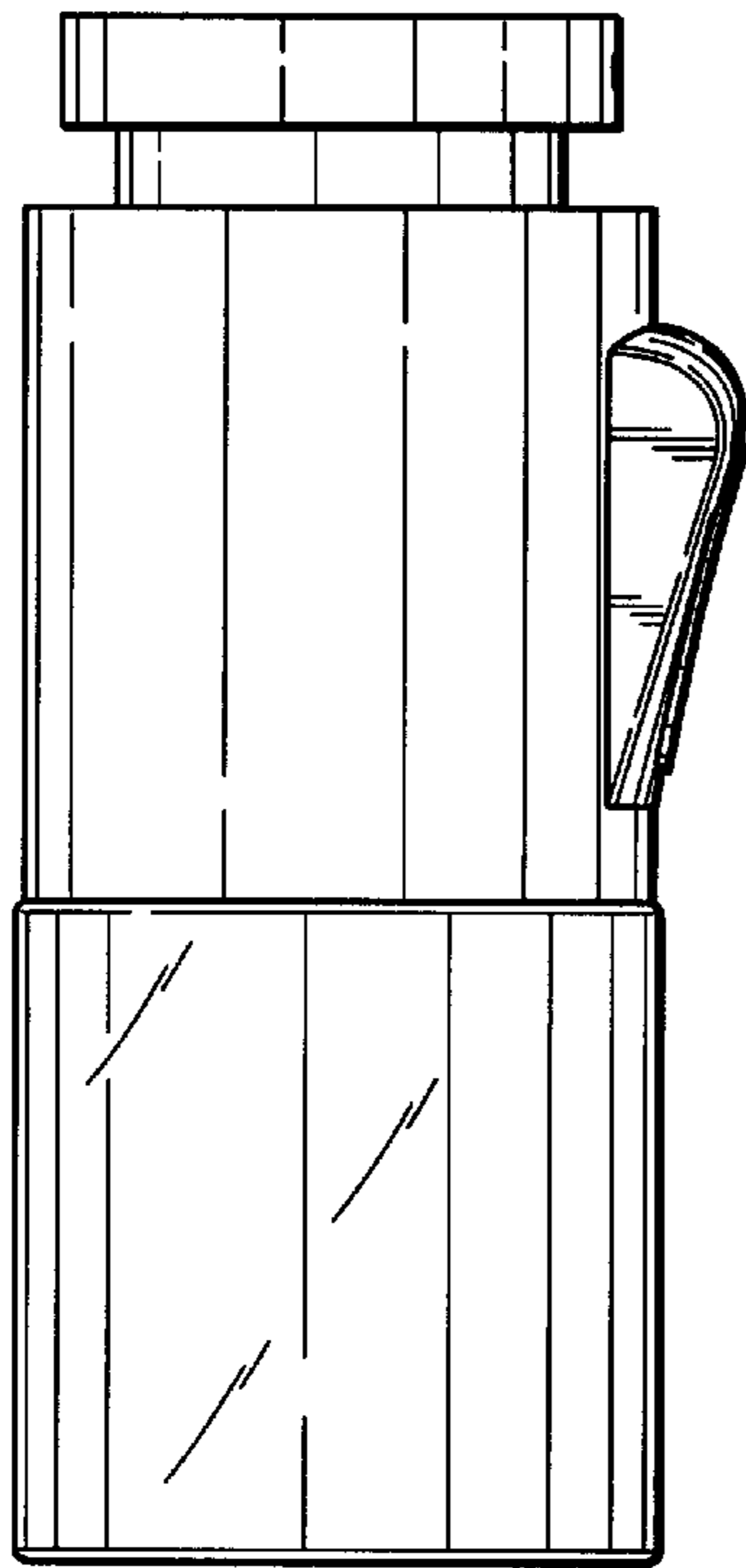
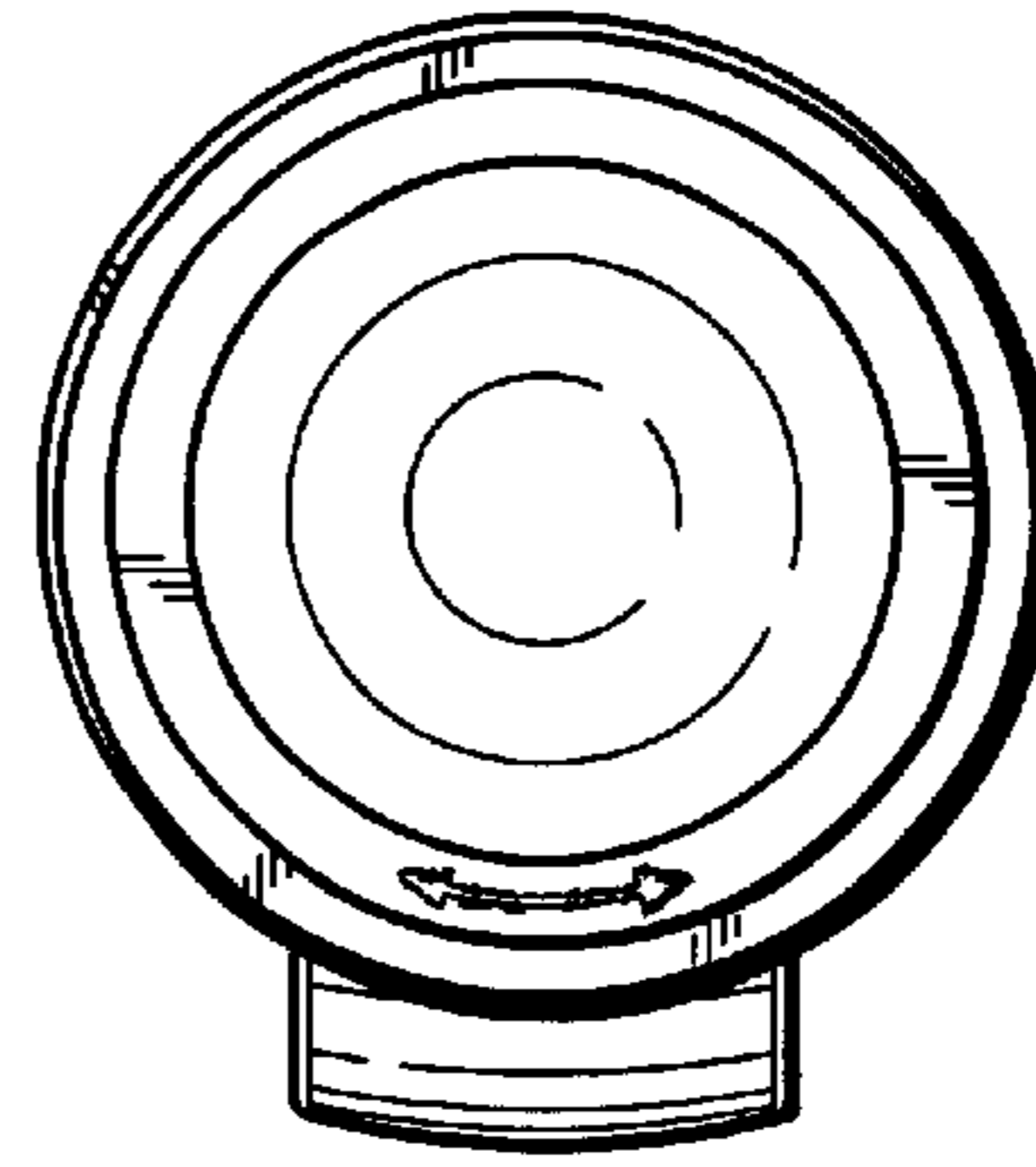


FIG. 3

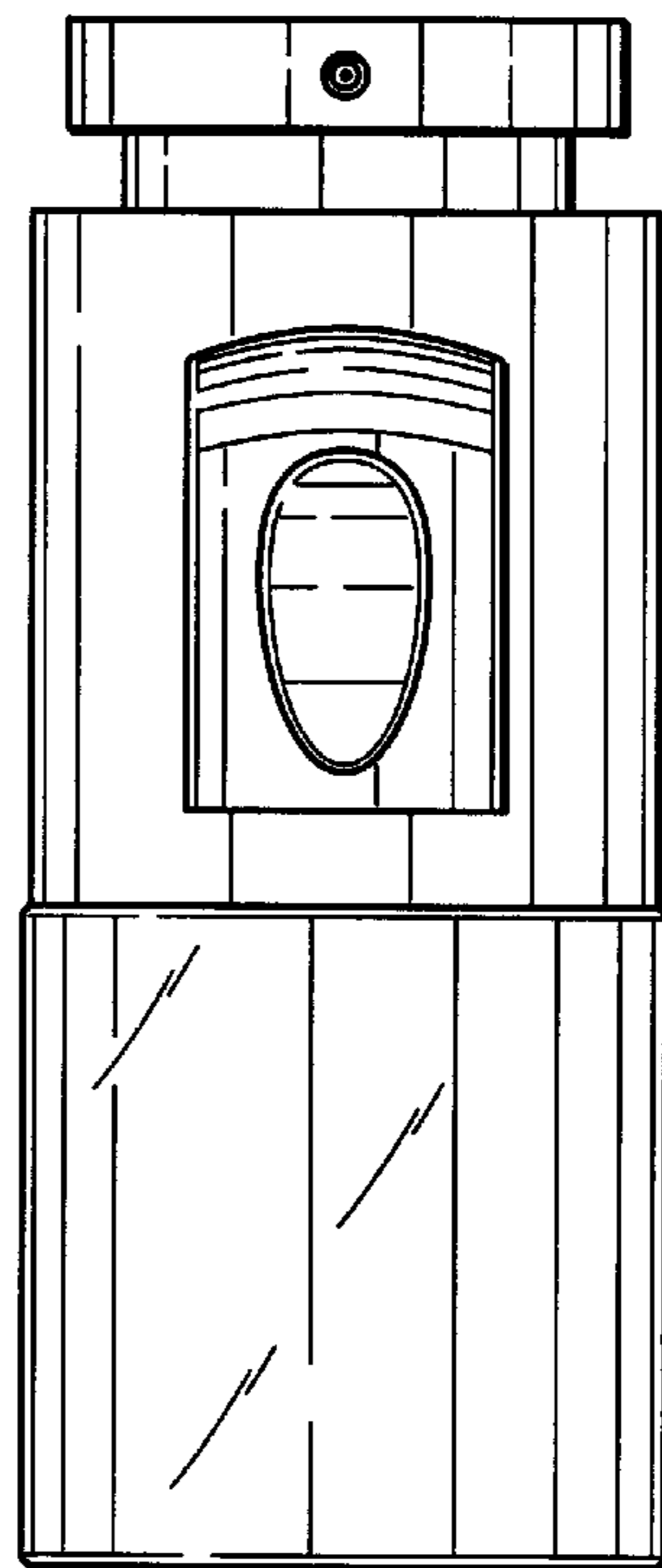


FIG. 5

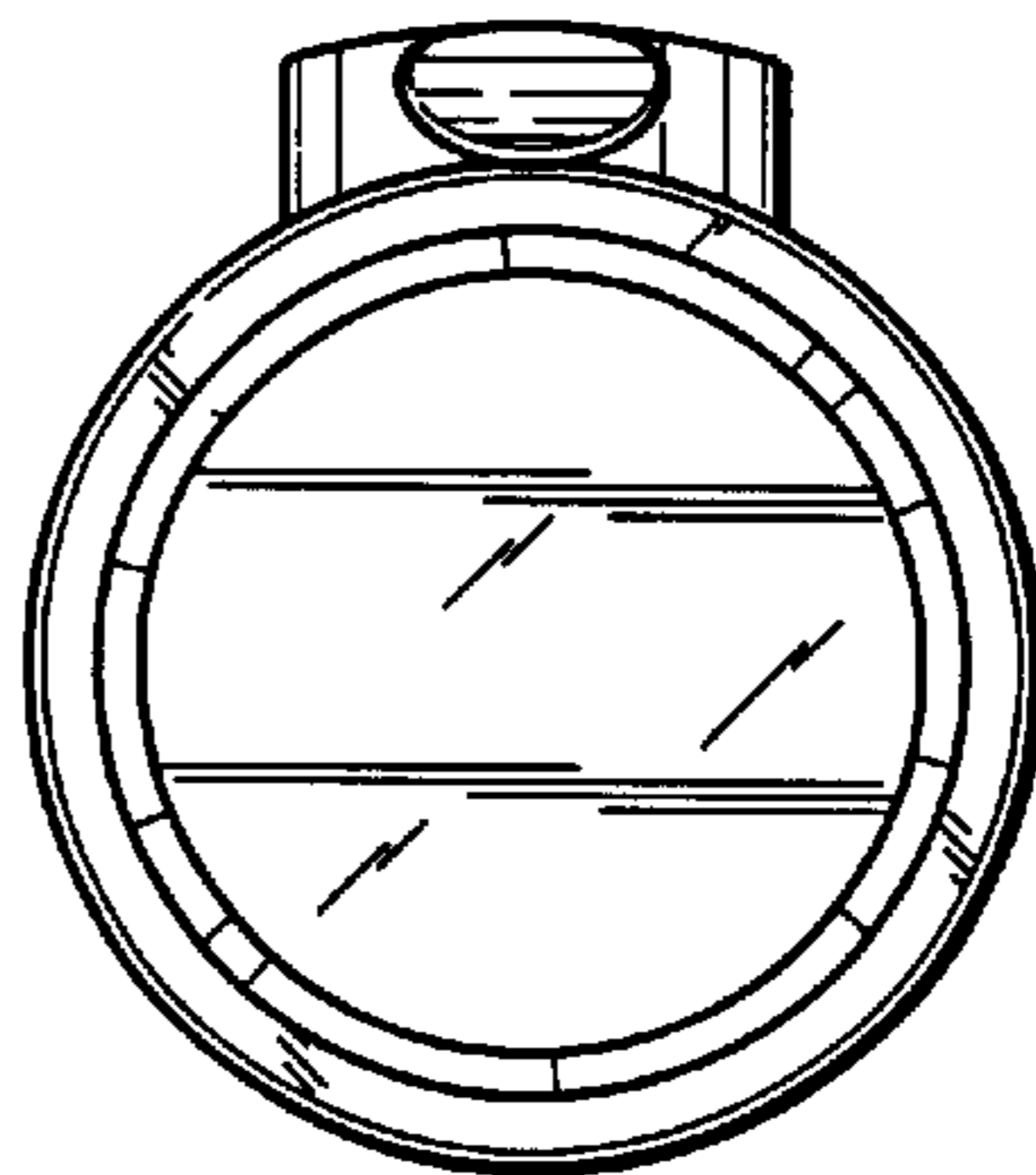


FIG. 6

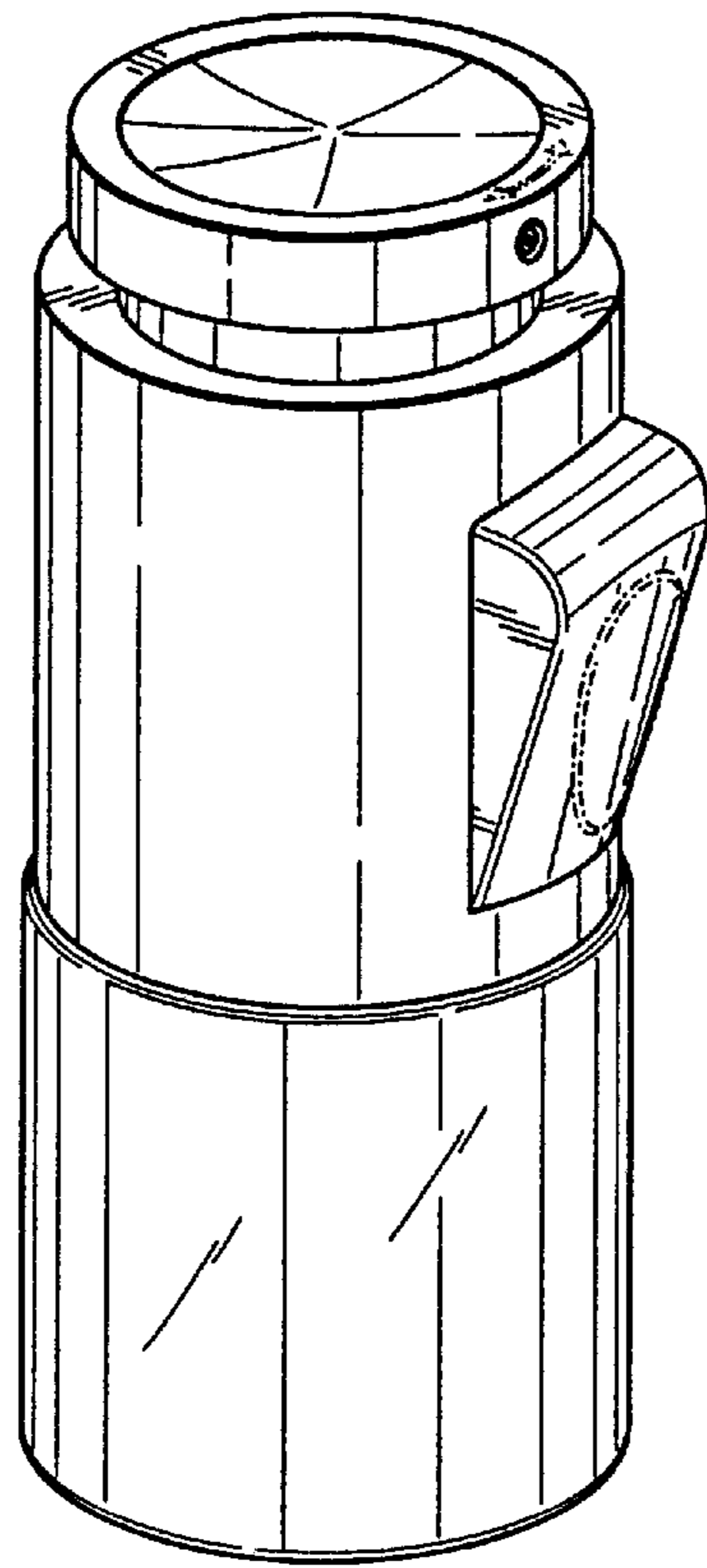


FIG. 7

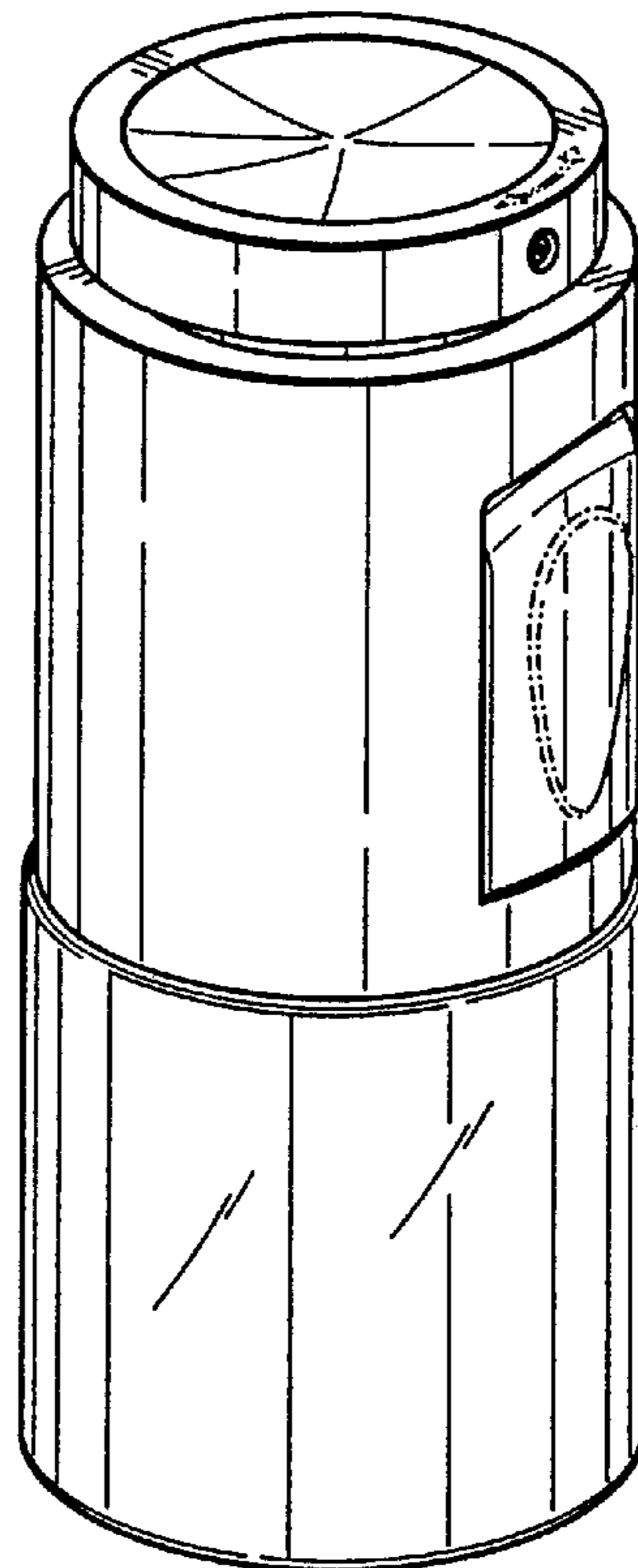


FIG. 8

FIG. 10

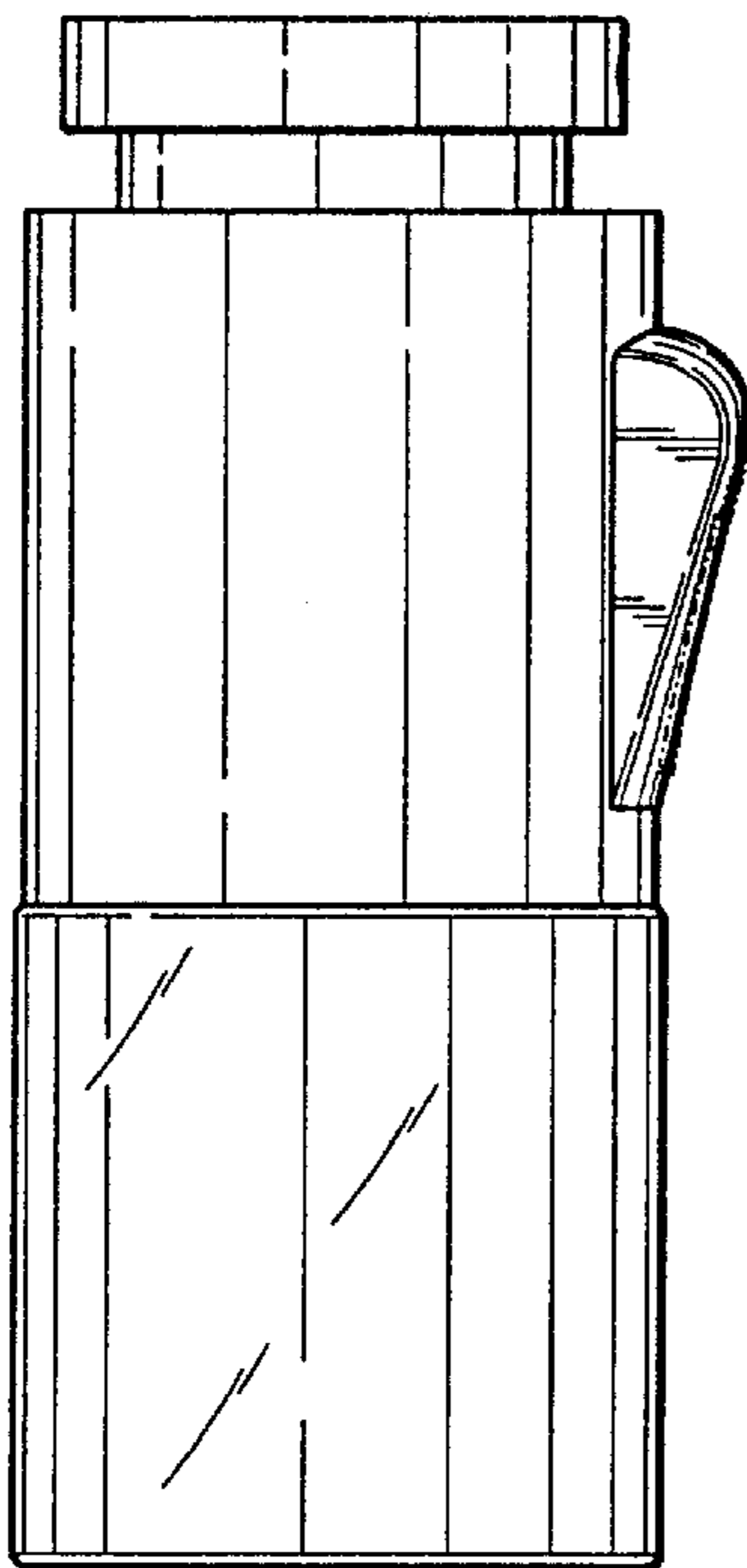
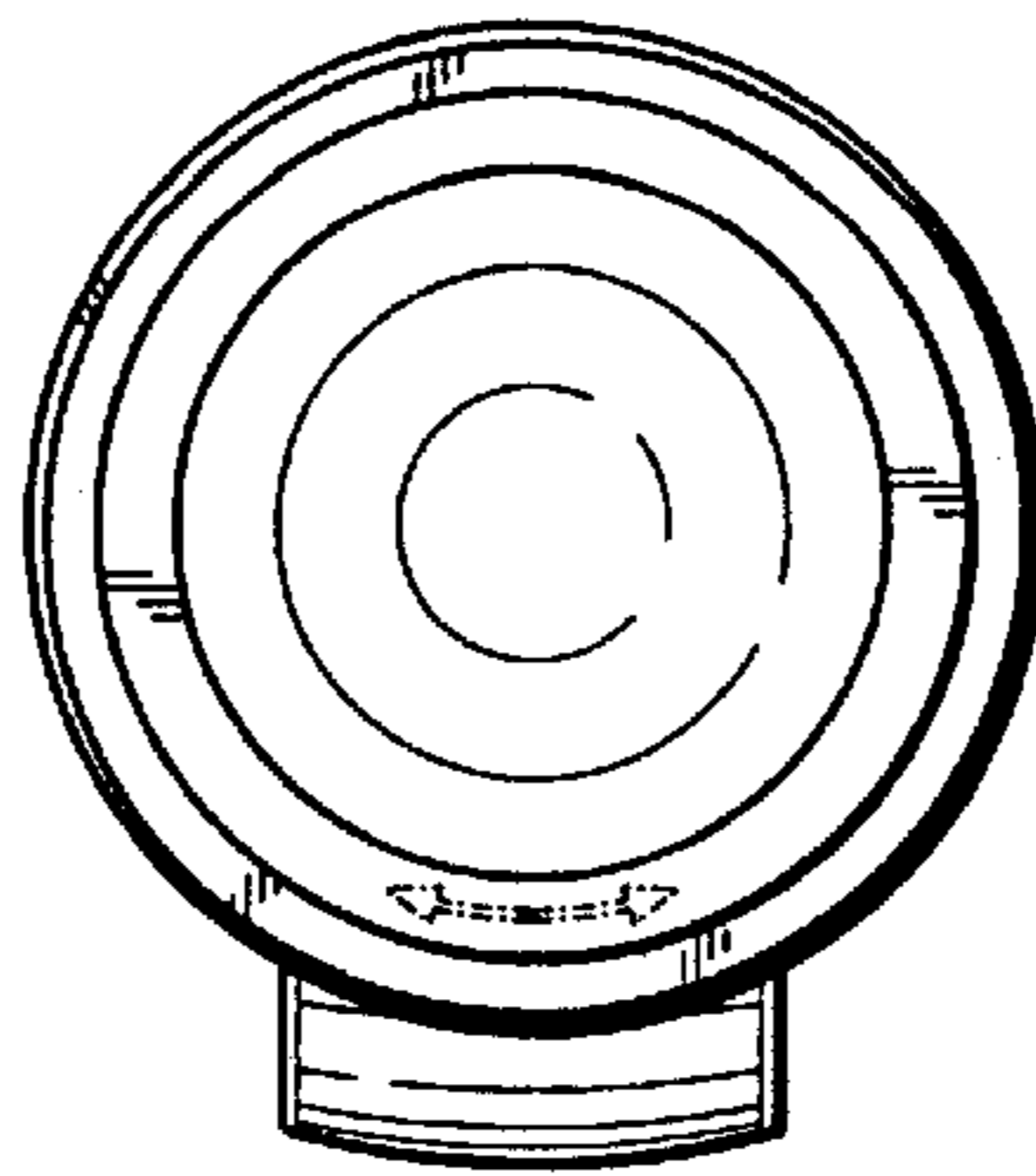


FIG. 9

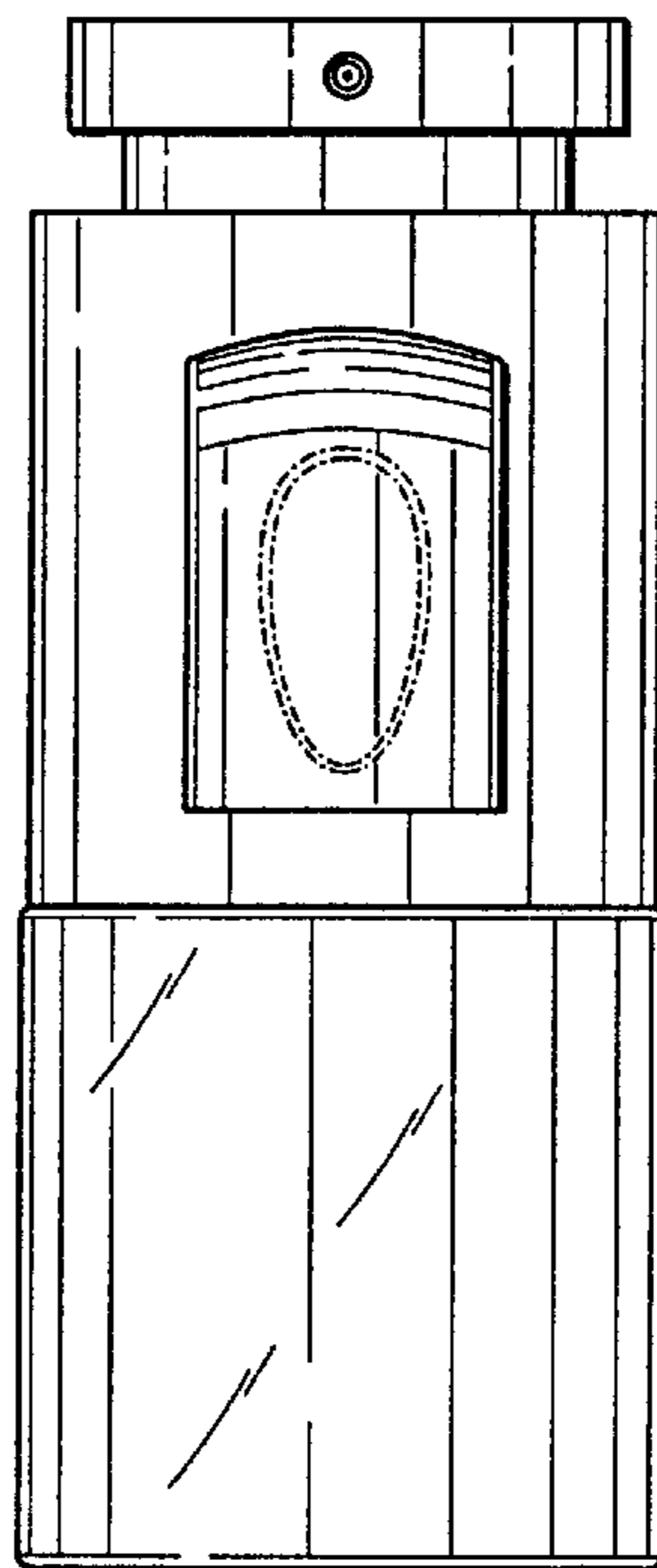


FIG. 11

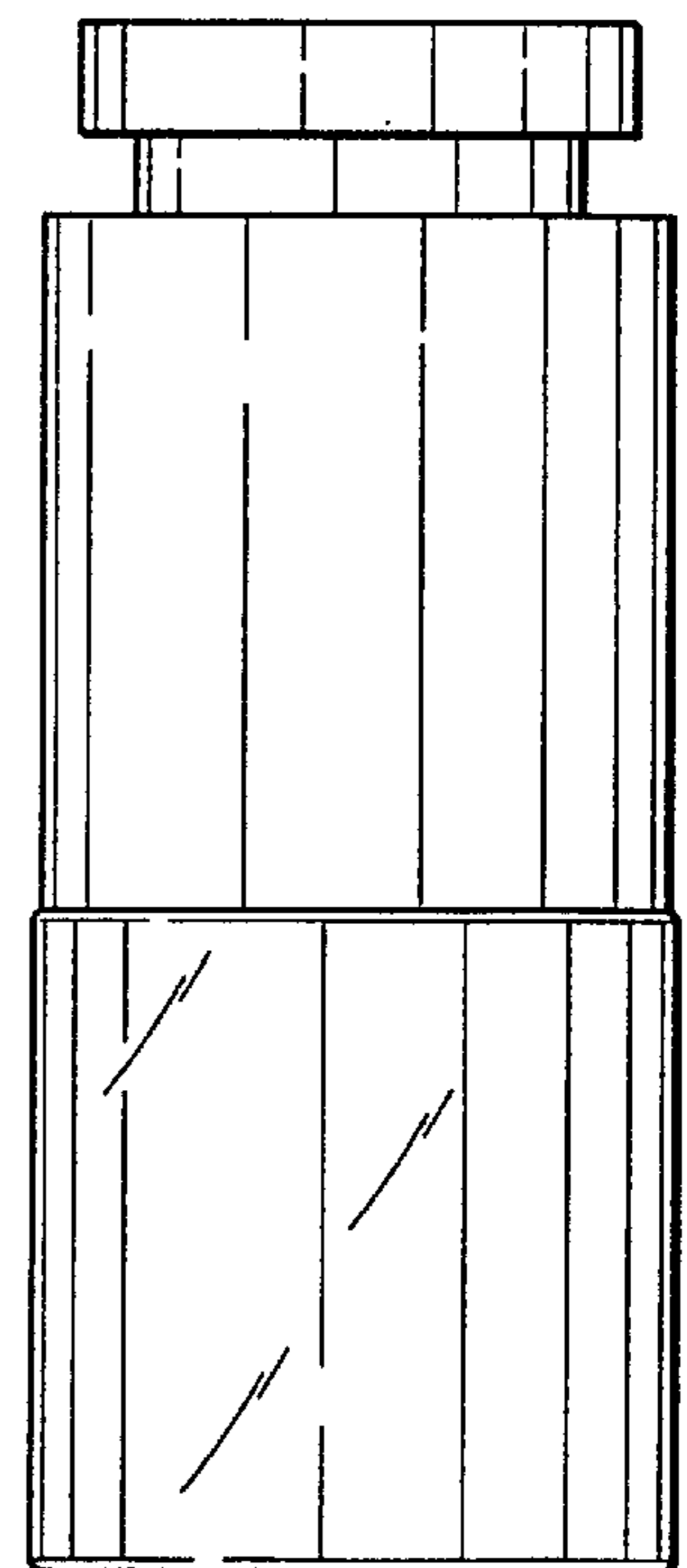


FIG. 13

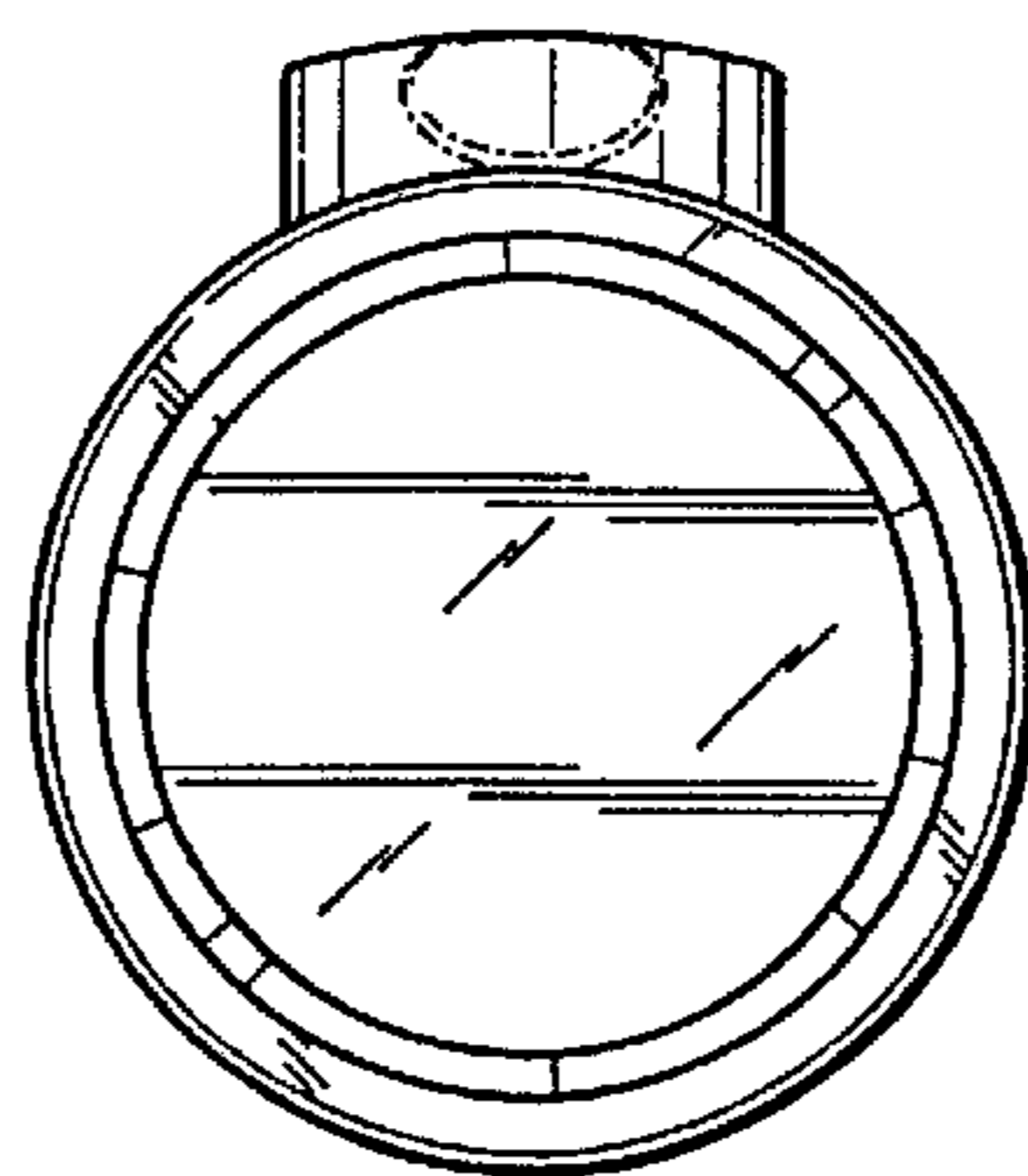


FIG. 12