



US00D476221S

(12) **United States Design Patent**  
**Vito**

(10) **Patent No.:** **US D476,221 S**

(45) **Date of Patent:** **\*\* Jun. 24, 2003**

(54) **LINK FOR A SECURITY CHAIN**

(76) Inventor: **Robert A. Vito**, 1434 Sugartown Rd.,  
Berwyn, PA (US) 19312

(\*\*) Term: **14 Years**

(21) Appl. No.: **29/170,618**

(22) Filed: **Nov. 8, 2002**

**Related U.S. Application Data**

(62) Division of application No. 10/288,078, filed on Nov. 5,  
2002.

(51) **LOC (7) Cl.** ..... **08-99**

(52) **U.S. Cl.** ..... **D8/499**

(58) **Field of Search** ..... D8/499, 17; D11/13,  
D11/79-80, 93; 70/14, 18, 58; 59/78, 80,  
83-85, 90, 93; 280/457, 480, 507; 474/209,  
218-220, 226-228, 230-236

(56) **References Cited**

**U.S. PATENT DOCUMENTS**

105,004 A 7/1870 Short  
D5,544 S 2/1872 Draper

(List continued on next page.)

*Primary Examiner*—Brian N. Vinson

(74) *Attorney, Agent, or Firm*—Volpe and Koenig, P.C.

(57) **CLAIM**

I claim the ornamental design for a link for a security chain,  
as shown and described.

**DESCRIPTION**

FIG. 1 is a perspective view of a link for a security chain  
according to a first preferred embodiment of my new design;  
FIG. 2 is a front elevational view of the link for a security  
chain of FIG. 1, the rear elevational view being a mirror  
image thereof;

FIG. 3 is a top plan view of the link for a security chain of  
FIG. 1, the bottom plan view being a mirror image thereof;  
FIG. 4 is a left side elevational view of the link for a security  
chain of FIG. 1, the right side elevational view being a  
mirror image thereof;

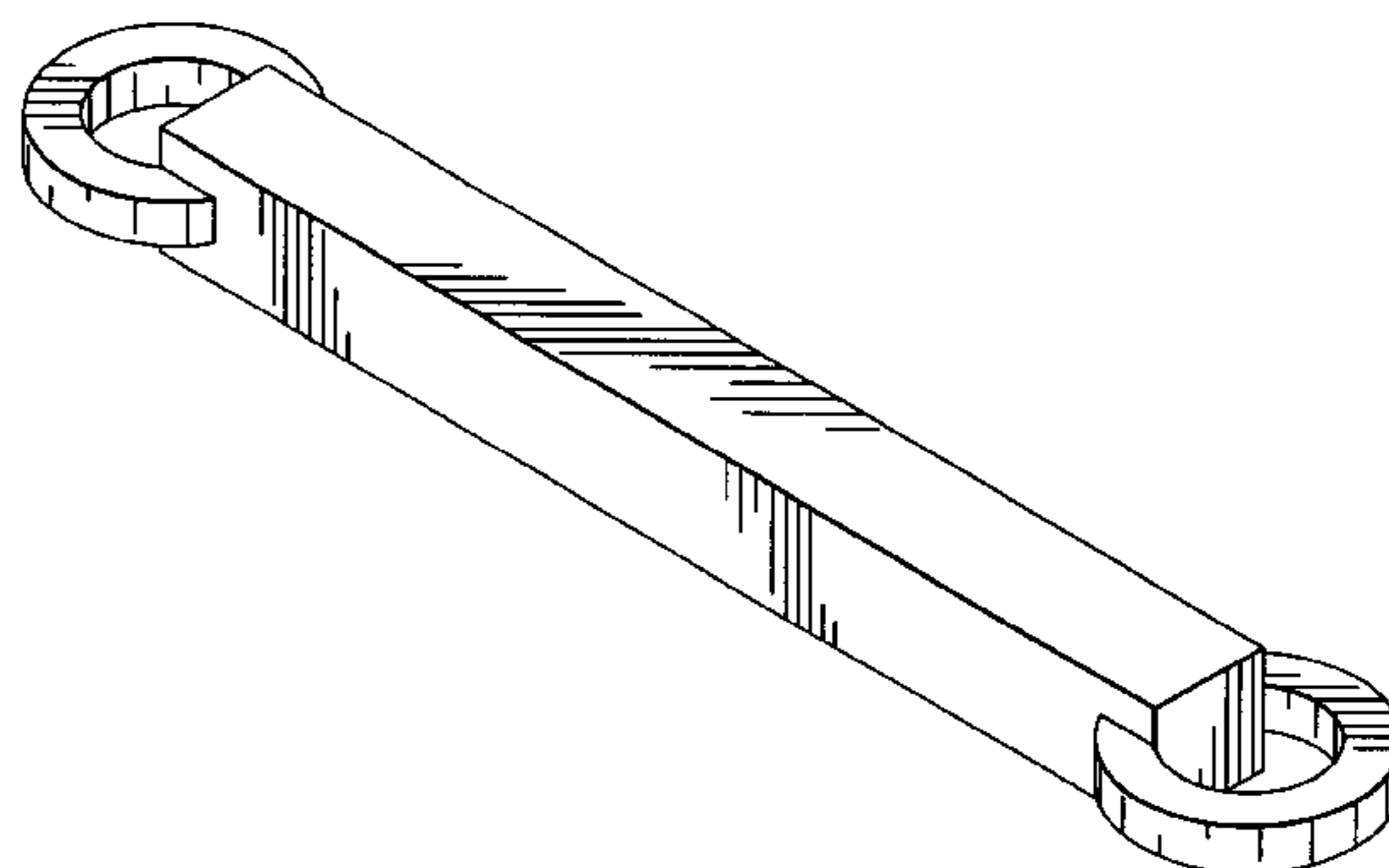
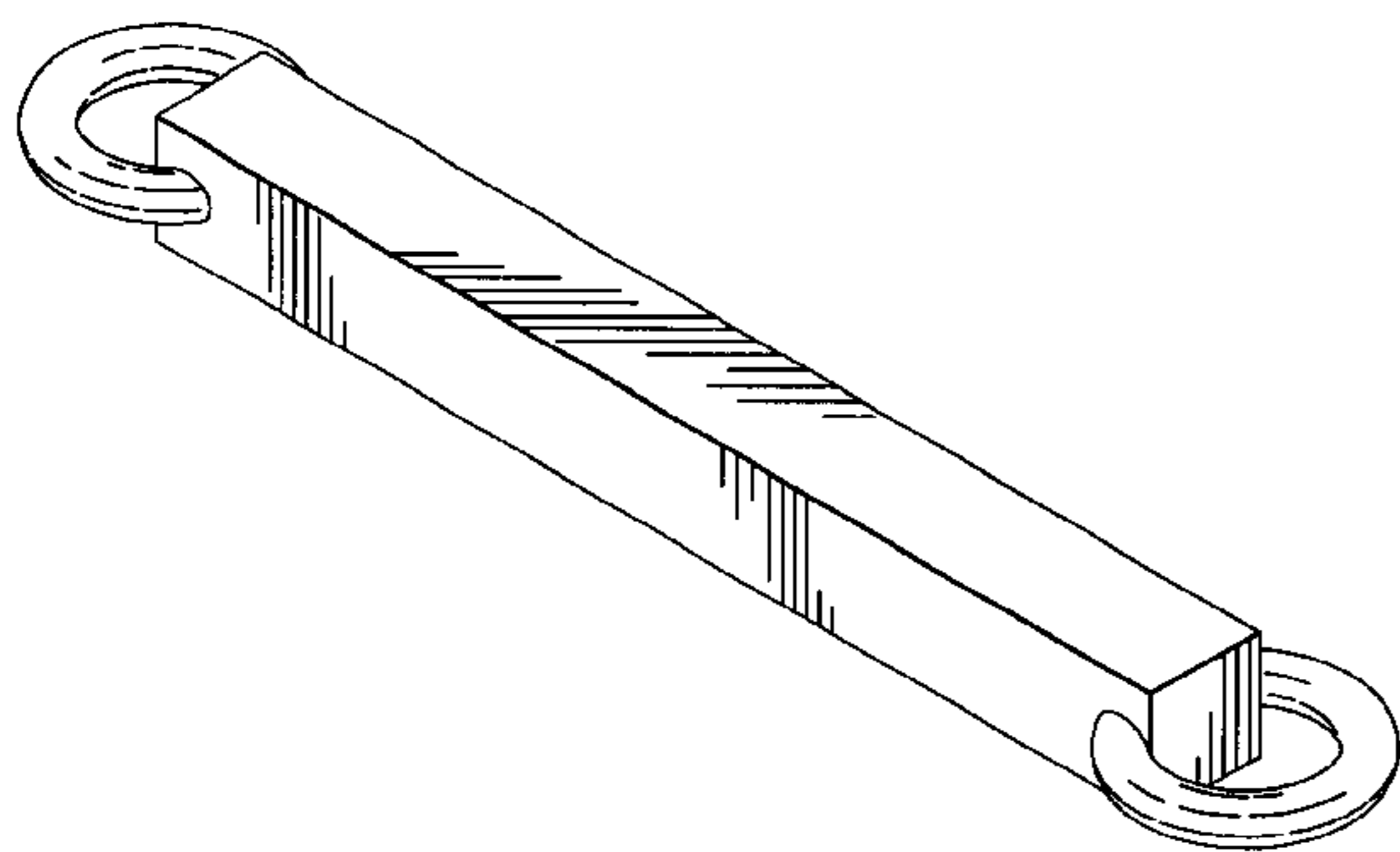
FIG. 5 is a perspective view of a link for a security chain  
according to a second preferred embodiment of my new  
design;

FIG. 6 is a front elevational view of the link for a security  
chain of FIG. 5, the rear elevational view being a mirror  
image thereof;

FIG. 7 is a top plan view of the link for a security chain of  
FIG. 5, the bottom plan view being a mirror image thereof;  
and,

FIG. 8 is a left side elevational view of the link for a security  
chain of FIG. 5, the right side elevational view being a  
mirror image thereof.

**1 Claim, 2 Drawing Sheets**



# US D476,221 S

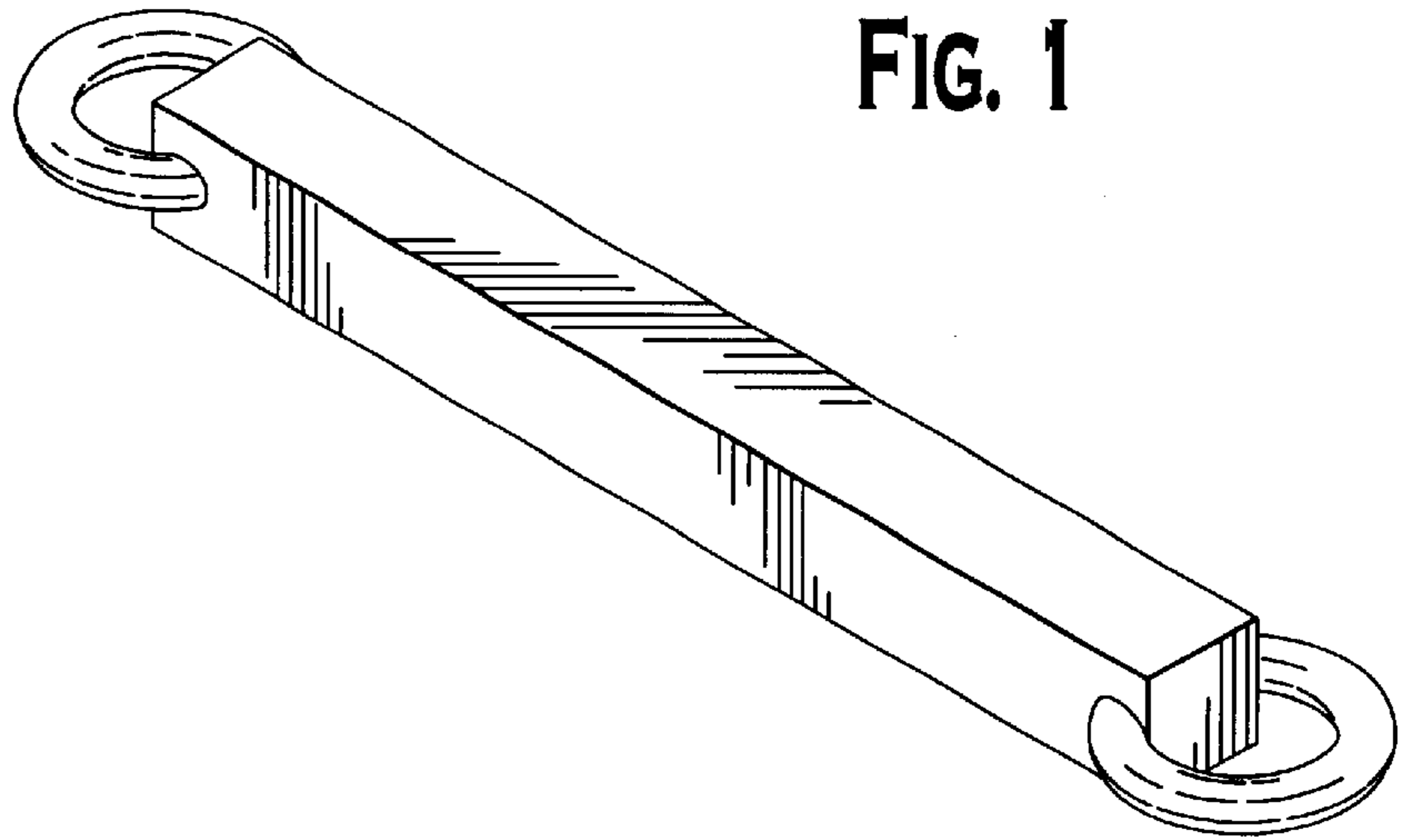
Page 2

## U.S. PATENT DOCUMENTS

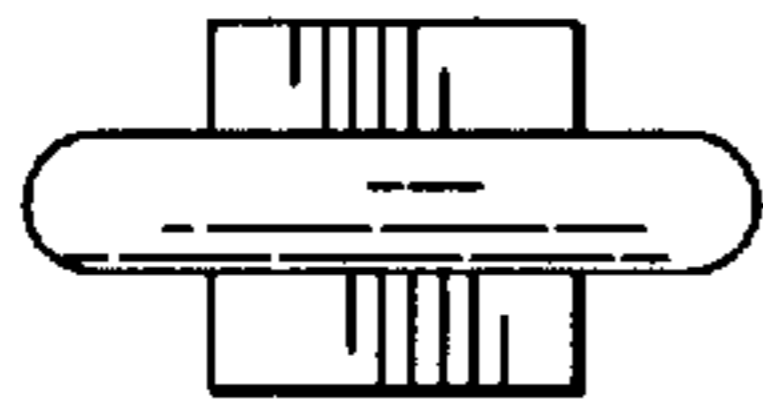
145,642 A	12/1873	Frontier et al.	RE28,746 E	*	3/1976	Bruce	59/78
189,797 A	4/1877	Seery	3,996,737 A		12/1976	Burstall	
193,543 A	7/1877	Nortemann	4,068,467 A		1/1978	Schreyer et al.	
D11,004 S	1/1879	Lederer	D254,126 S		2/1980	Beniya	
214,869 A	4/1879	Barrows	4,497,169 A		2/1985	Millington	
D11,790 S	5/1880	Seery	D282,055 S		1/1986	Brinkers	
230,531 A	7/1880	Davidson	D308,937 S	*	7/1990	Rybak	D8/499
324,281 A	8/1885	Veit	D315,936 S	*	4/1991	Wilson et al.	D8/499 X
904,846 A	* 11/1908	Costello	D343,349 S	*	1/1994	Byrd, Jr.	D8/399 X
1,114,289 A	10/1914	Rittenhouse	5,308,292 A	*	5/1994	Mistry	59/84 X
D61,359 S	8/1922	Benjamin	5,331,802 A	*	7/1994	Varley	59/85
1,810,978 A	6/1931	Moore	D361,261 S	*	8/1995	Amburgey et al.	D8/499
D98,621 S	2/1936	Ritter	5,709,075 A	*	1/1998	Wu	59/78 X
2,192,946 A	3/1940	Towner	5,732,967 A		3/1998	Behling	
2,242,783 A	5/1941	Grau	6,170,248 B1		1/2001	Ianello et al.	
3,028,725 A	4/1962	Stevens	6,243,929 B1	*	6/2001	Curwood	59/85 X
3,461,666 A	8/1969	Burstall	6,256,974 B1	*	7/2001	Shanks, Sr.	59/85
3,545,200 A	12/1970	Fagan	6,263,658 B1	*	7/2001	Rosenwasser et al.	59/80

\* cited by examiner

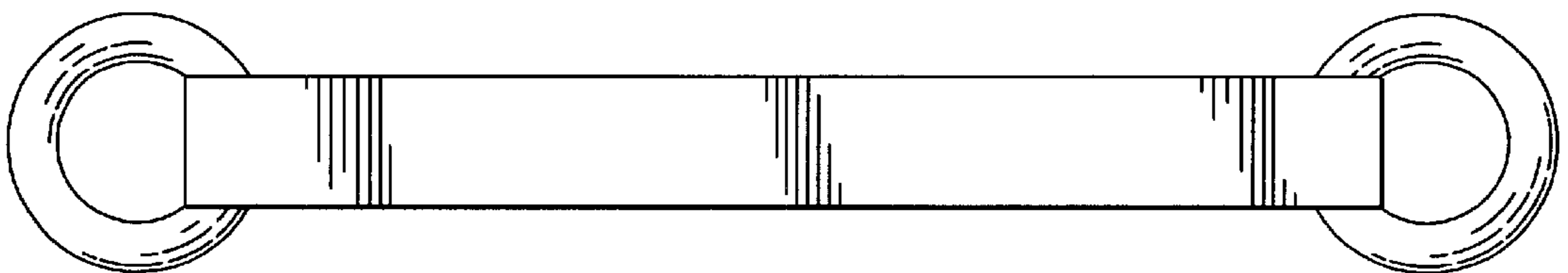
**FIG. 1**



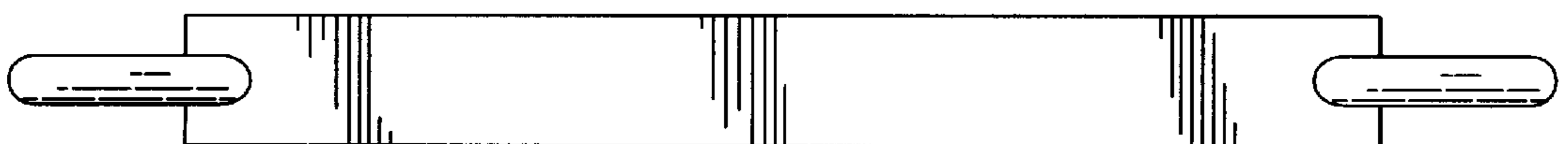
**FIG. 2**



**FIG. 3**



**FIG. 4**



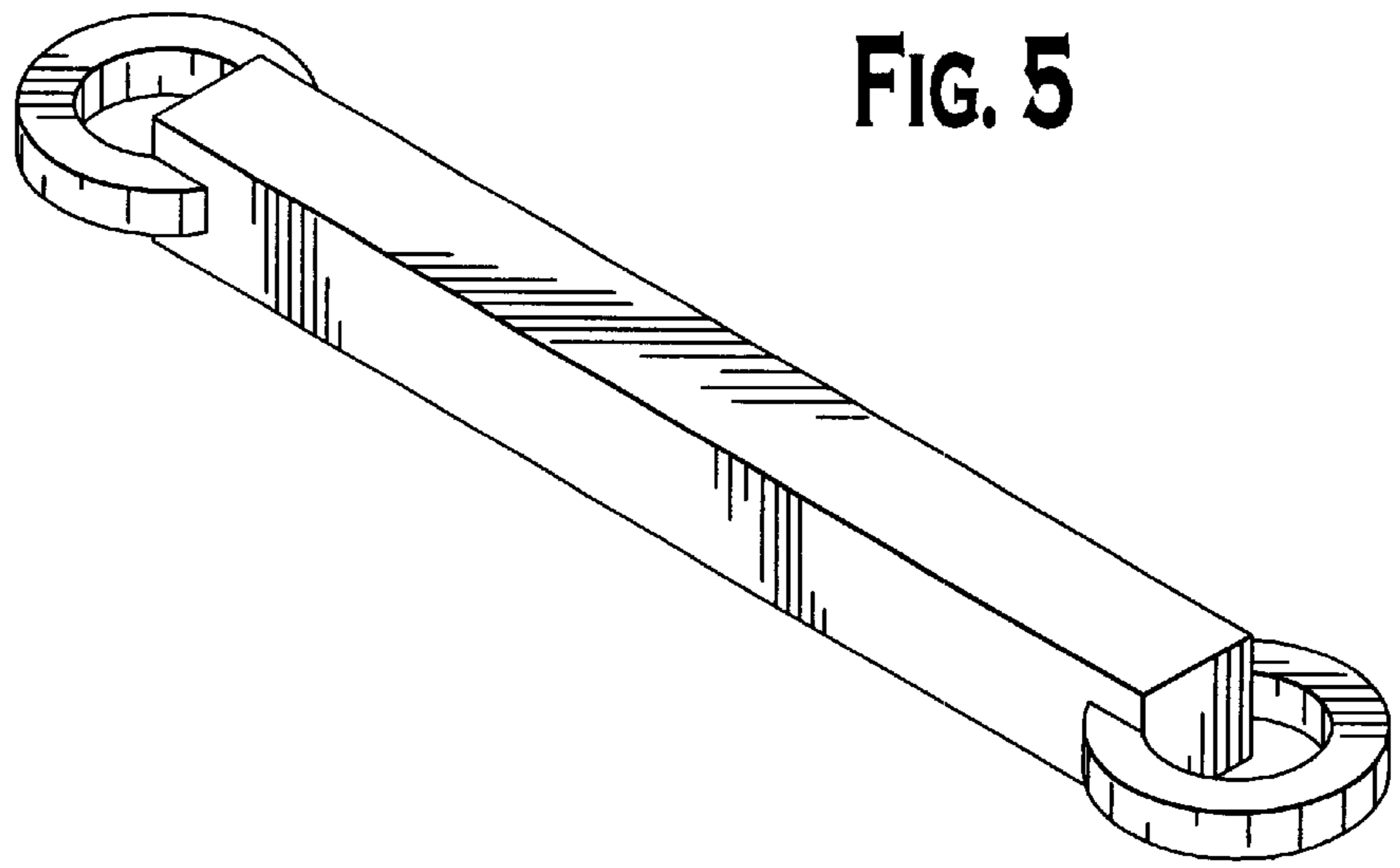


FIG. 6

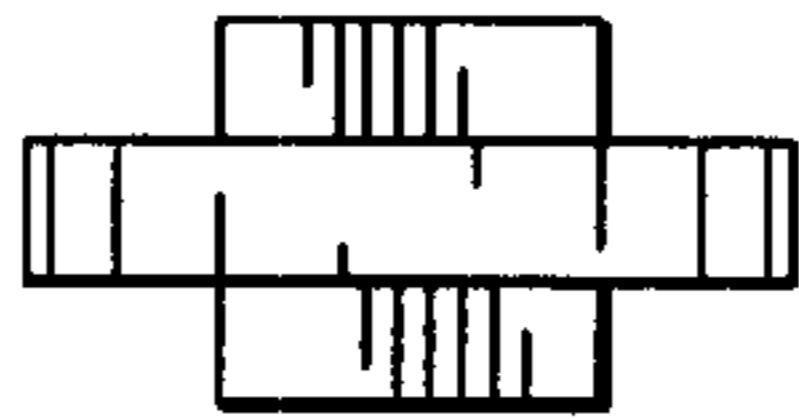


FIG. 7

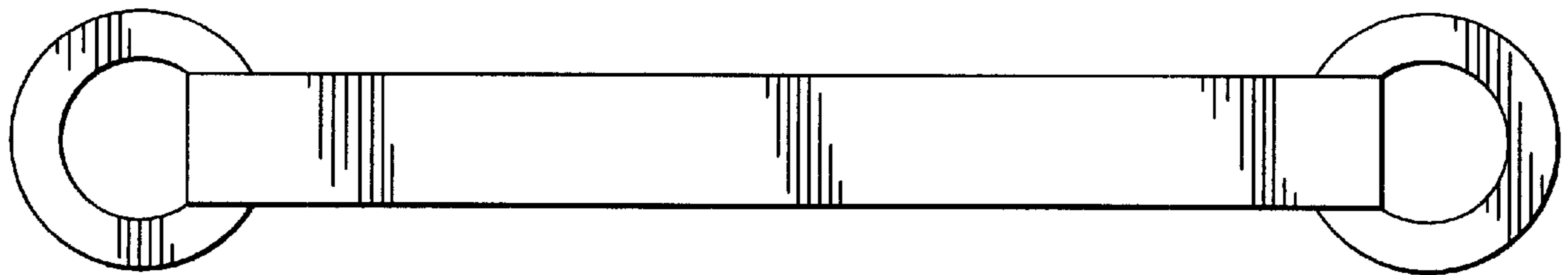


FIG. 8

