



US00D476217S

(12) **United States Design Patent**
Shea

(10) **Patent No.:** **US D476,217 S**

(45) **Date of Patent:** **** Jun. 24, 2003**

(54) **OFF SHELF BRACKET**

(76) Inventor: **Thomas M. Shea**, 984 Livernois, Troy, MI (US) 48083

(**) Term: **14 Years**

(21) Appl. No.: **29/158,377**

(22) Filed: **Apr. 3, 2002**

(51) **LOC (7) Cl.** **08-05**

(52) **U.S. Cl.** **D8/354**

(58) **Field of Search** D8/349, 354, 355, D8/363, 366, 367, 373, 380, 381; 40/617, 661.08; 211/86.01, 90.01, 193; 248/200, 202.1, 205.1, 207, 215, 216.4, 220.21, 220.22, 220.41, 222.13, 223.31, 225.11, 225.21, 227.1, 235, 247, 248, 250, 300, 301, 339

(56) **References Cited**

U.S. PATENT DOCUMENTS

- 3,126,190 A * 3/1964 Miller 248/215
- 3,907,118 A * 9/1975 Pelavin 211/86.01
- D313,743 S * 1/1991 Mastrodicasa D8/381
- 5,722,625 A * 3/1998 Kenney 248/220.41
- D422,483 S 4/2000 Shea D8/354

- D422,886 S 4/2000 Shea D8/354
- 6,341,755 B1 * 1/2002 Kump 248/220.41
- 6,402,113 B1 * 6/2002 Chang 248/215
- D463,251 S * 9/2002 Shea D8/354

* cited by examiner

Primary Examiner—Doris V. Coles

Assistant Examiner—Elizabeth A. Albert

(74) *Attorney, Agent, or Firm*—Gifford, Krass, Groh, Sprinkle, Anderson & Citkowski, P.C.

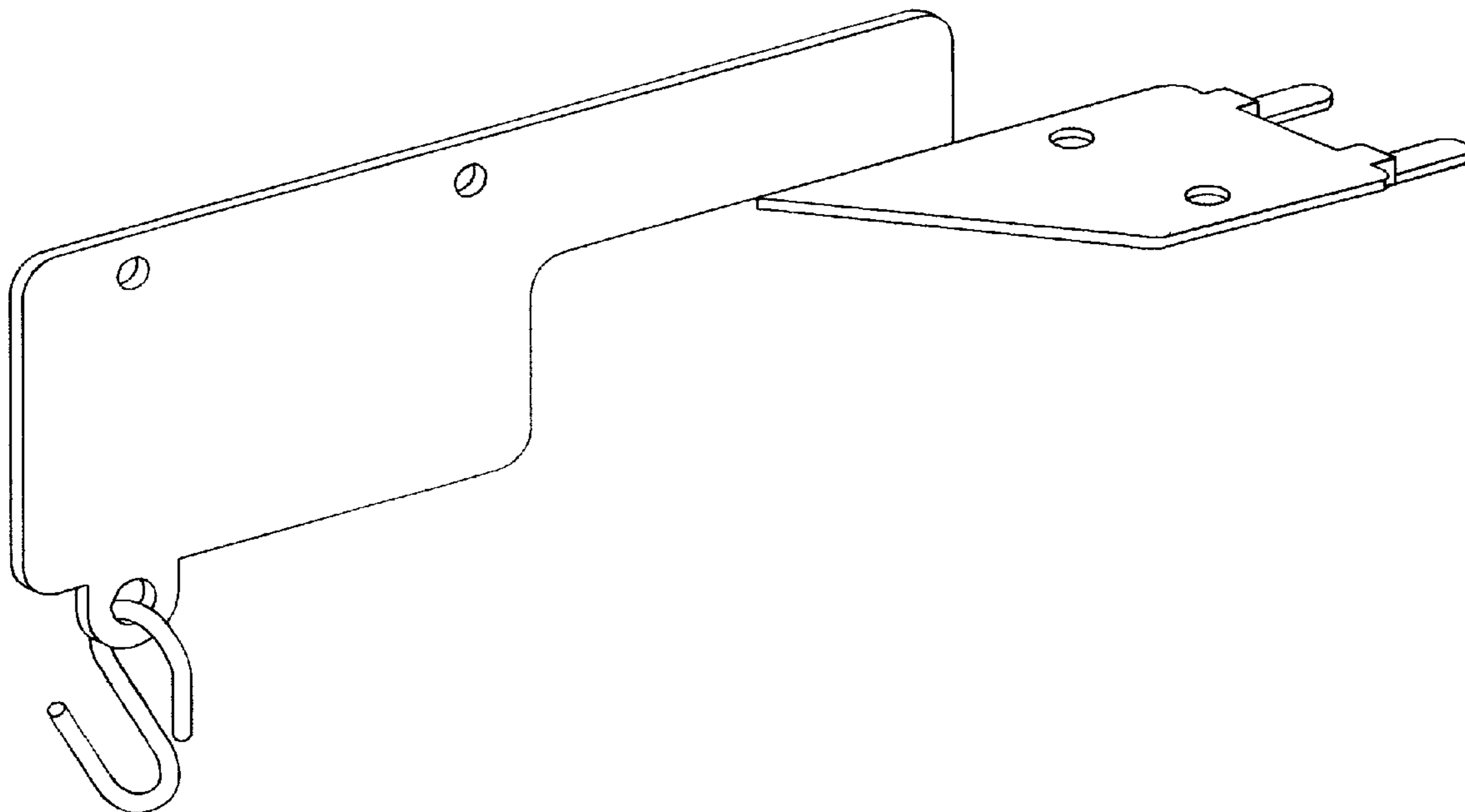
(57) **CLAIM**

I claim the ornamental design for an off shelf bracket, as shown and described.

DESCRIPTION

FIG. 1 is a perspective view of the off shelf bracket showing my new design;
 FIG. 2 is right side view of the present design;
 FIG. 3 is a left side view of the present design;
 FIG. 4 is a front view of the present design;
 FIG. 5 is a rear view of the present design;
 FIG. 6 is a top view of the present design; and,
 FIG. 7 is a bottom view of the present design.

1 Claim, 3 Drawing Sheets



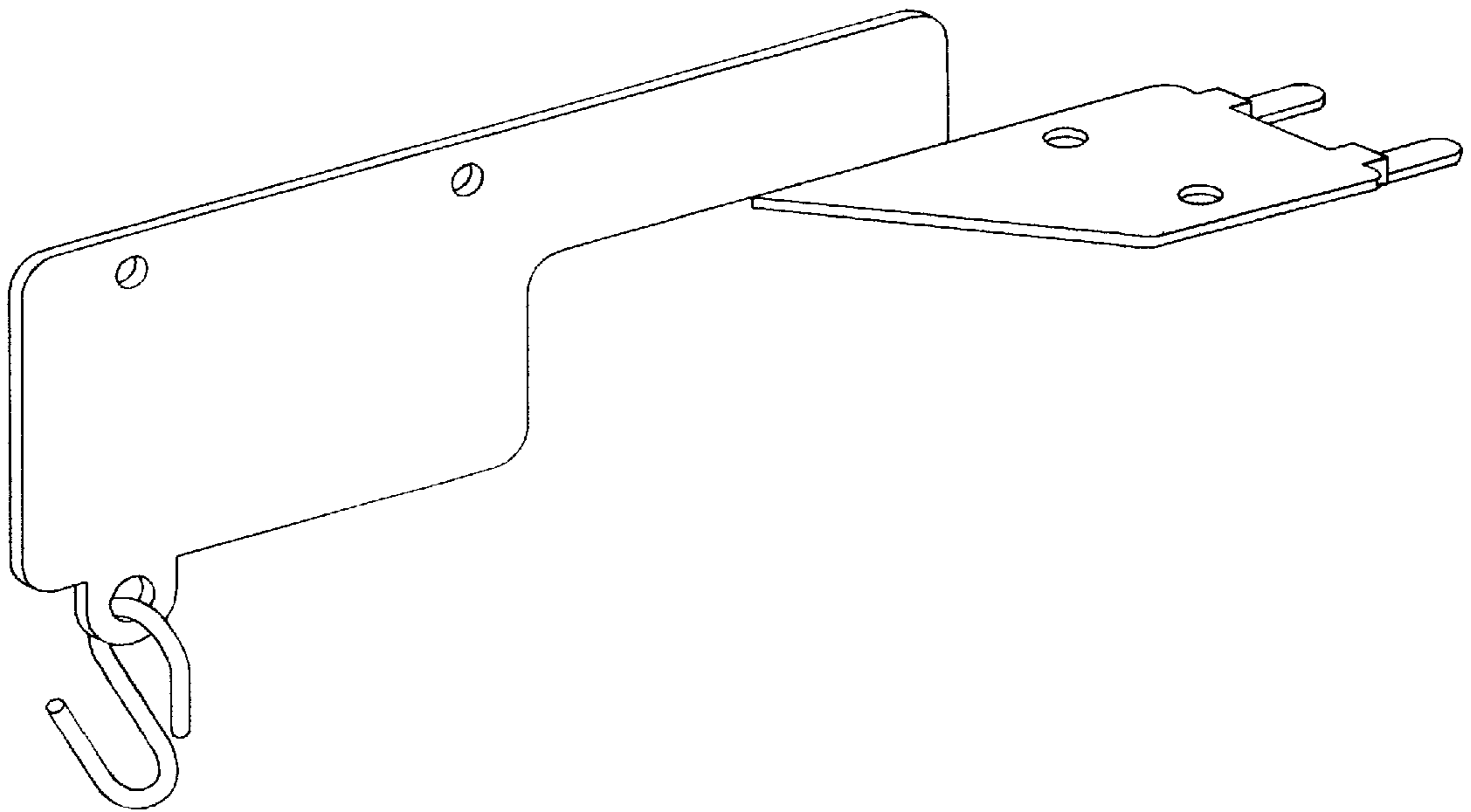


FIG. 1

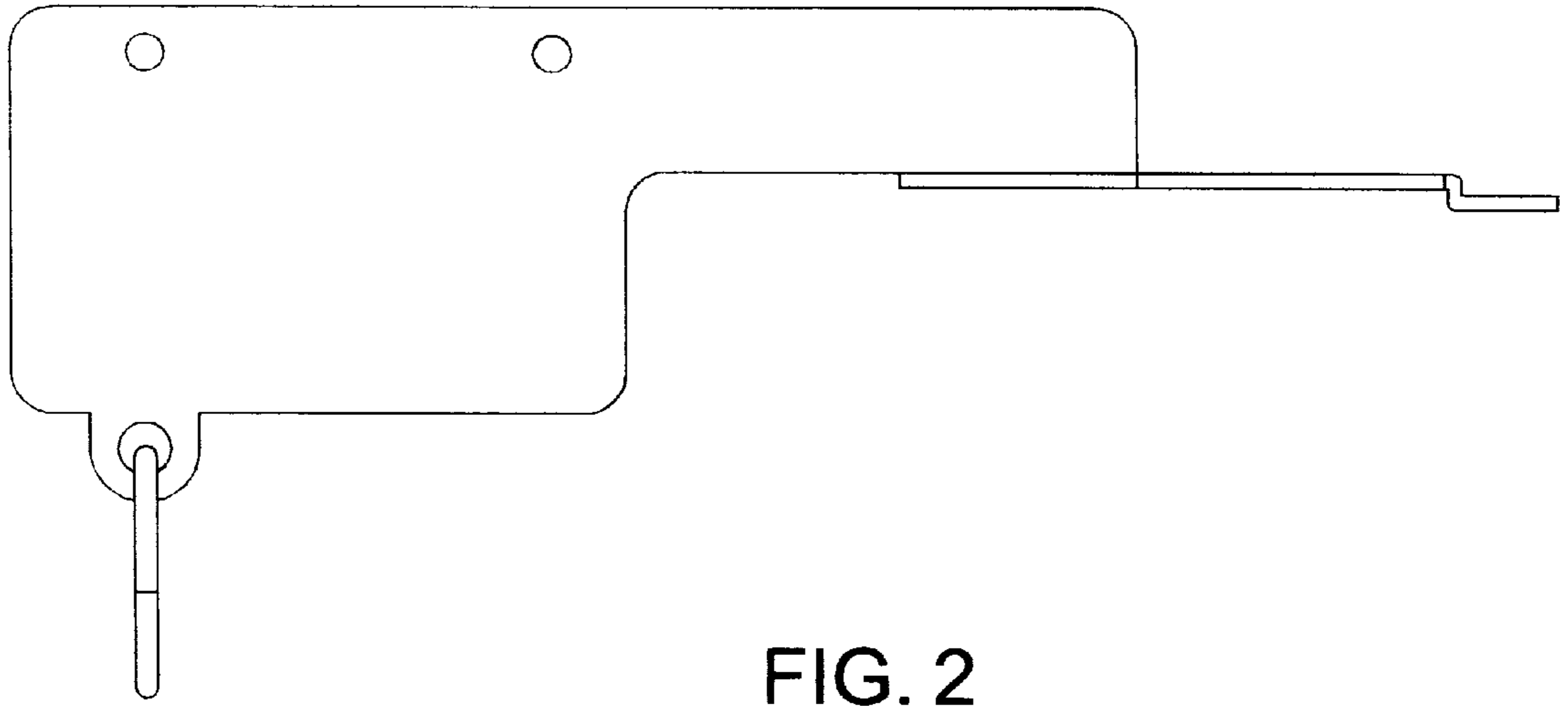


FIG. 2

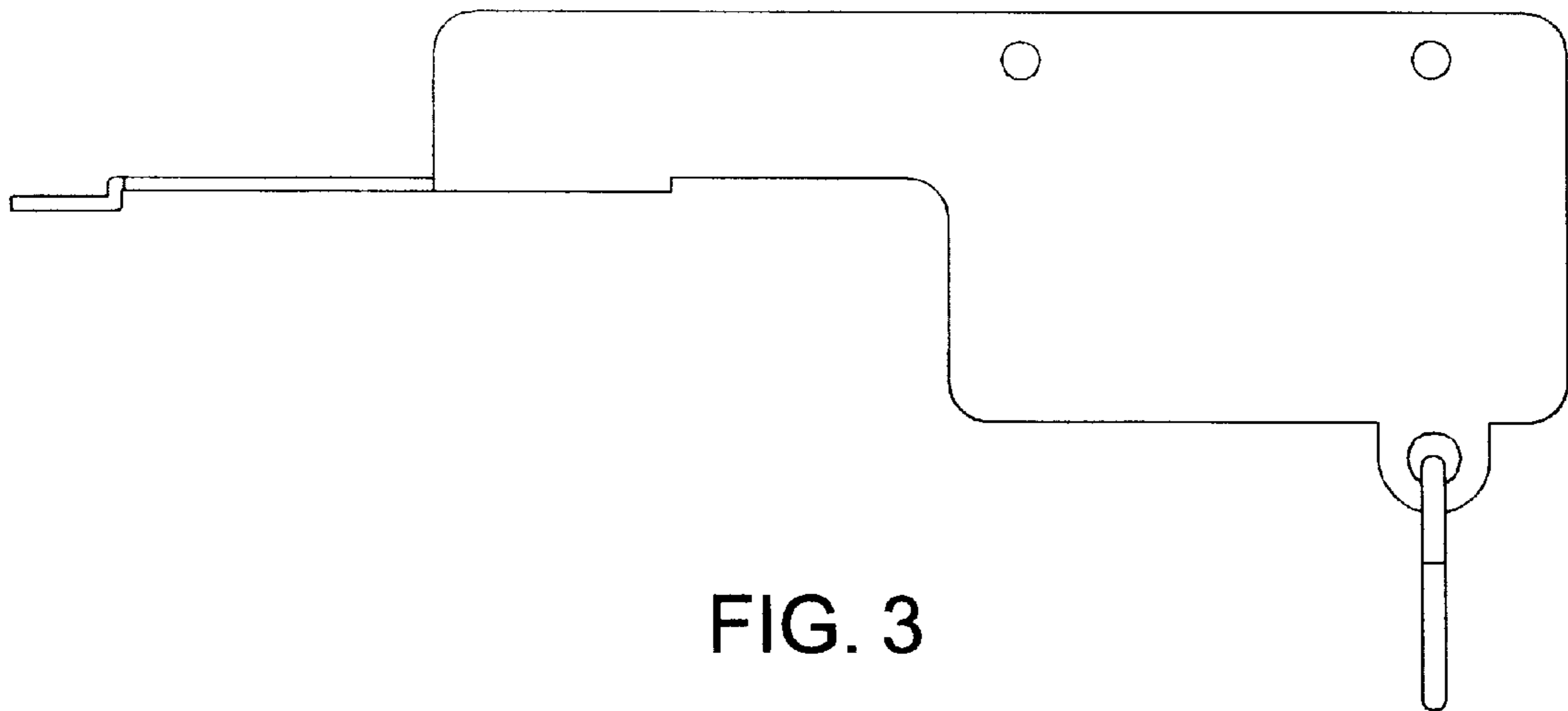


FIG. 3

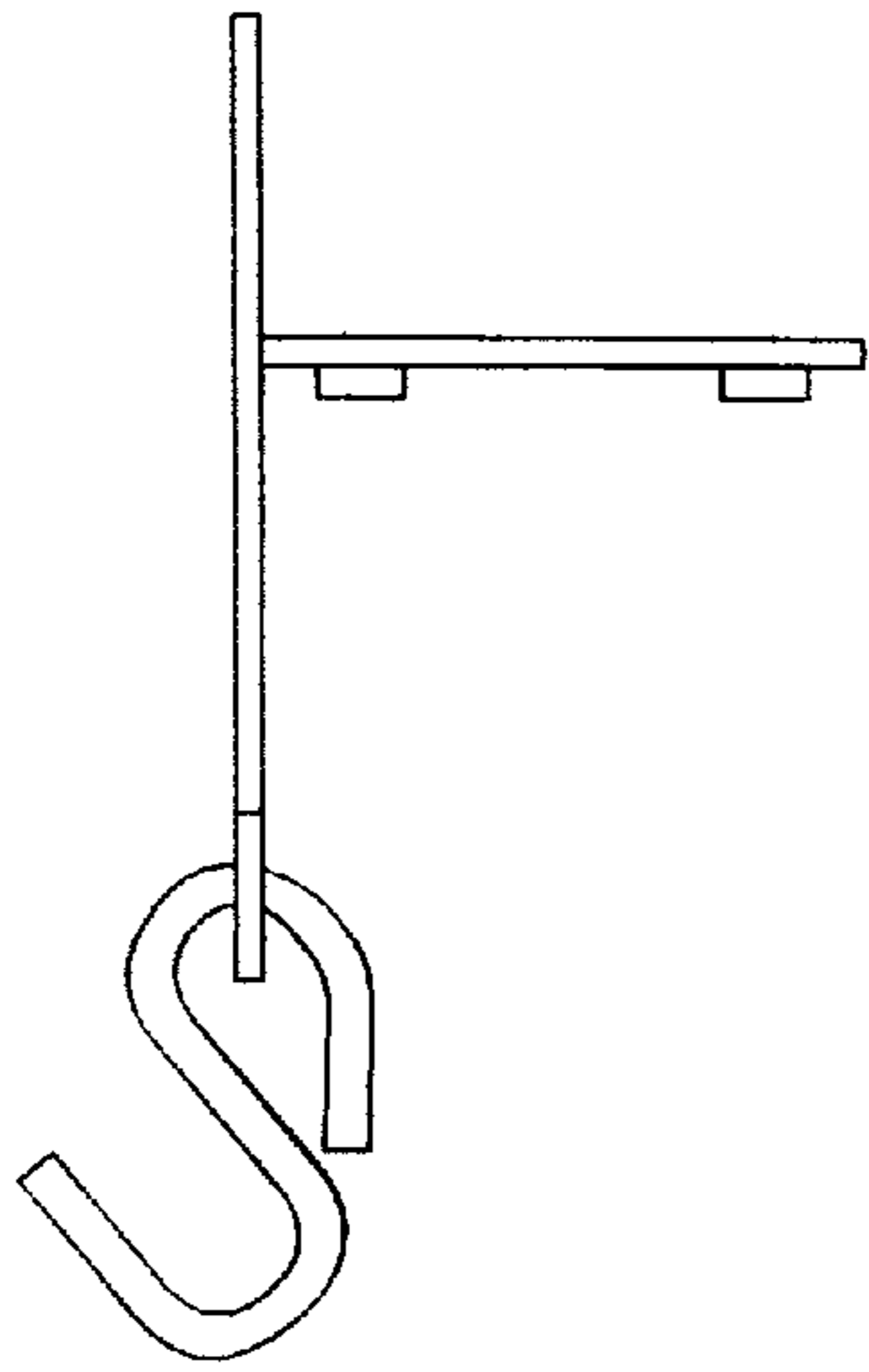


FIG. 4

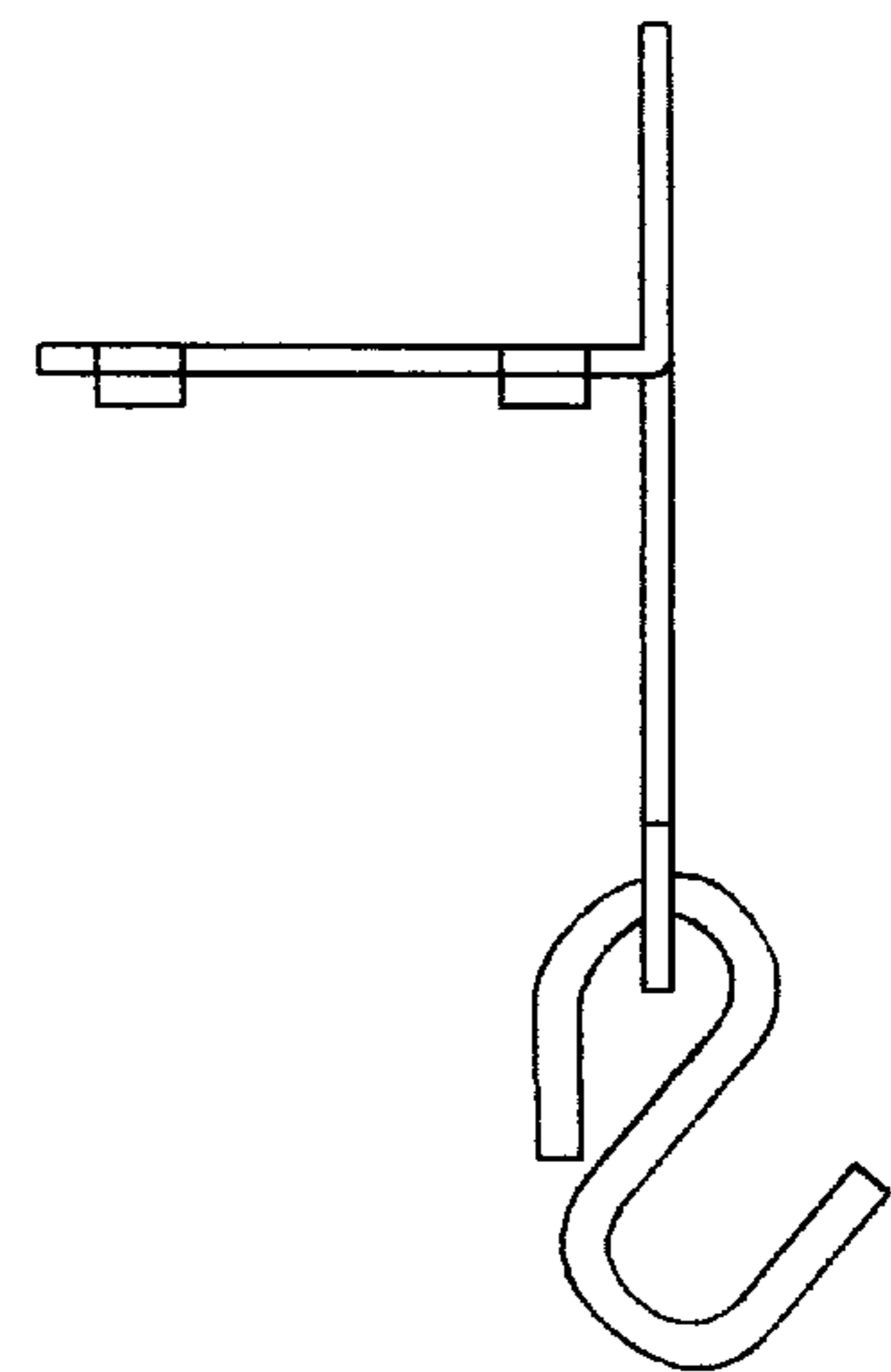


FIG. 5

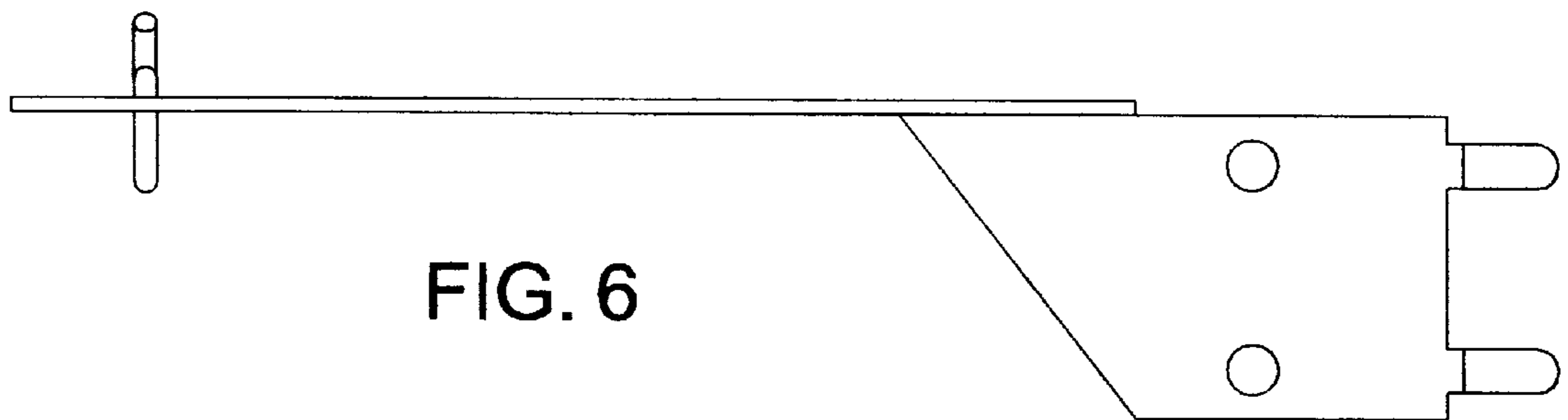


FIG. 6

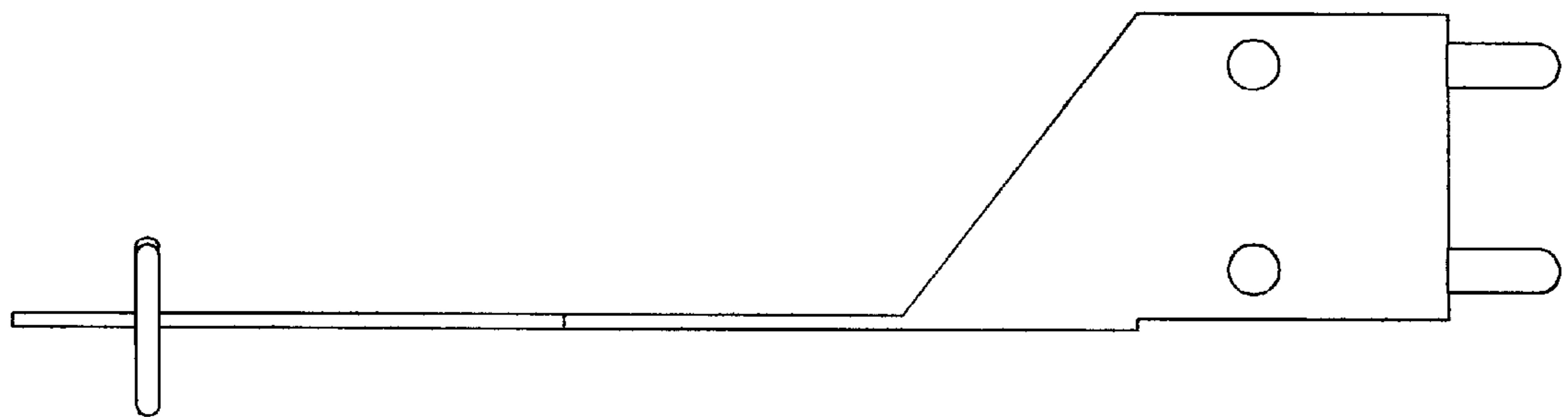


FIG. 7