



US00D476216S

(12) **United States Design Patent**
Vito

(10) **Patent No.:** **US D476,216 S**

(45) **Date of Patent:** **** Jun. 24, 2003**

(54) **LOCK**

D370,618 S * 6/1996 Taylor D8/334
D407,962 S * 4/1999 Conder D8/334

(76) Inventor: **Robert A. Vito**, 1434 Sugartown Rd.,
Berwyn, PA (US) 19312

* cited by examiner

(**) Term: **14 Years**

Primary Examiner—Brian N. Vinson
(74) *Attorney, Agent, or Firm*—Volpe and Koenig, PC

(21) Appl. No.: **29/171,774**

(57) **CLAIM**

(22) Filed: **Nov. 27, 2002**

I claim the ornamental design for a lock, as shown and described.

Related U.S. Application Data

DESCRIPTION

(63) Continuation of application No. 29/171,066, filed on Nov. 15, 2002.

(51) **LOC (7) Cl.** **08-07**

(52) **U.S. Cl.** **D8/334**

(58) **Field of Search** D8/333, 334, 343;
70/14, 20, 22, 24–29, 31, 35–48, 52, 53,
54

FIG. 1 is a perspective view of a lock according to a first preferred embodiment of my new design; FIG. 2 is a front elevational view of the lock of FIG. 1, the rear elevational view being the same; FIG. 3 is a left side elevational view of the lock of FIG. 1, the right side elevational view being the same; FIG. 4 is a top plan view of the lock of FIG. 1; FIG. 5 is a bottom plan view of the lock of FIG. 1; FIG. 6 is a perspective view of a lock according to a second preferred embodiment of my new design; FIG. 7 is front elevational view of the lock of FIG. 6, the rear elevational view being the same; FIG. 8 is a left side elevational view of the lock of FIG. 6, the right side elevational view being the same; FIG. 9 is a top plan view of the lock of FIG. 6; and, FIG. 10 is a bottom plan view of the lock of FIG. 6.

(56) **References Cited**

U.S. PATENT DOCUMENTS

| | | | |
|---------------|---------|-----------------|--------|
| 228,656 A | 6/1880 | Loch | |
| 1,522,851 A | 1/1925 | Wright | |
| 1,690,041 A | 10/1928 | Sundquist | |
| 1,942,454 A * | 1/1934 | Samburg | 70/25 |
| 2,375,488 A | 5/1945 | Olson | |
| 2,904,985 A * | 9/1959 | Murphy | 70/51 |
| D241,306 S * | 9/1976 | Foote | D8/334 |
| 4,224,813 A | 9/1980 | Hampton | |
| D292,869 S | 11/1987 | Lebrecht | |
| 4,829,795 A | 5/1989 | Taylor | |
| D342,010 S * | 12/1993 | Lebrecht et al. | D8/334 |

The dashed lines in FIGS. 5 and 10 represent environment and are for illustrative purposes only and do not constitute part of the claimed design.

1 Claim, 2 Drawing Sheets

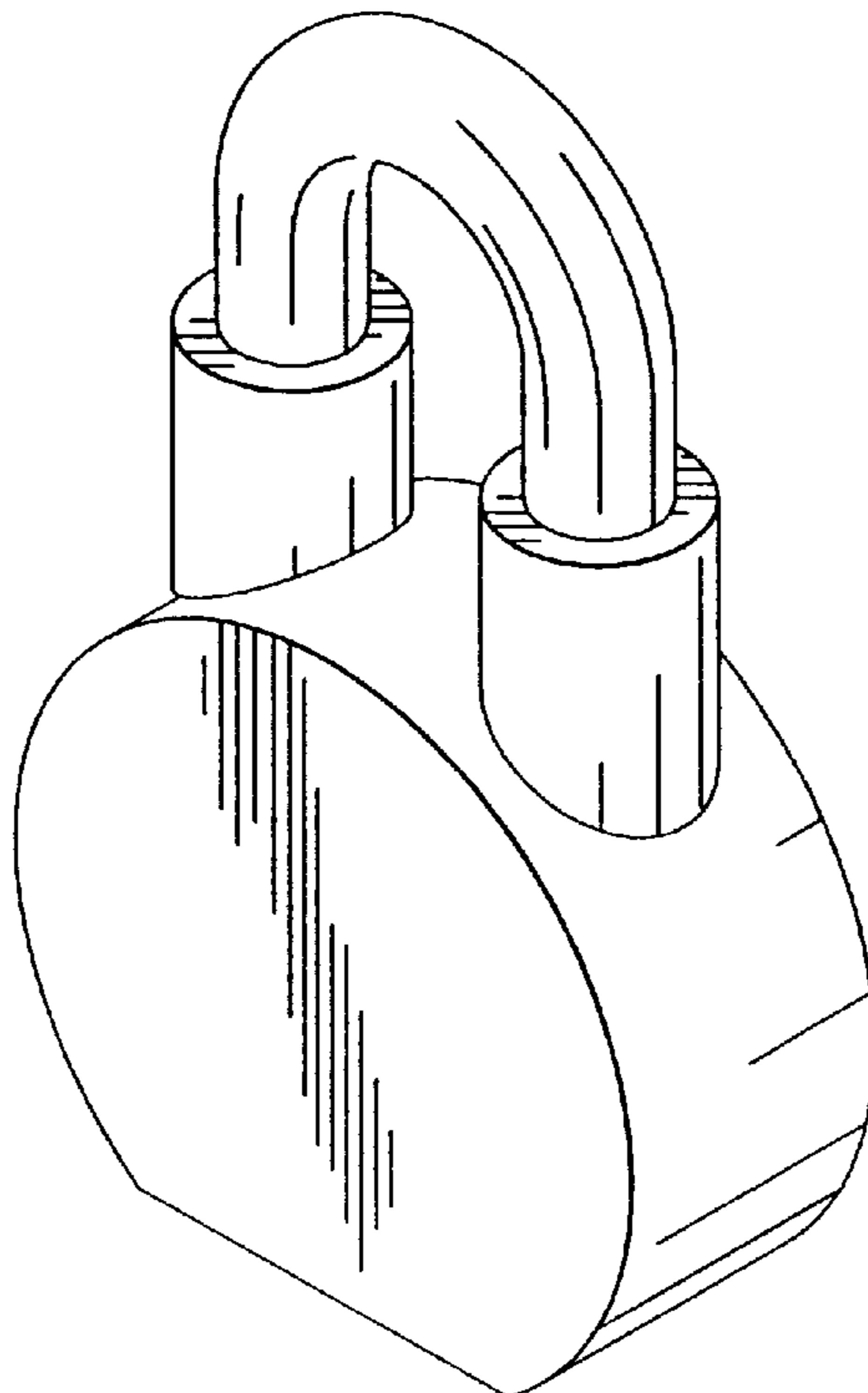


FIG. 1

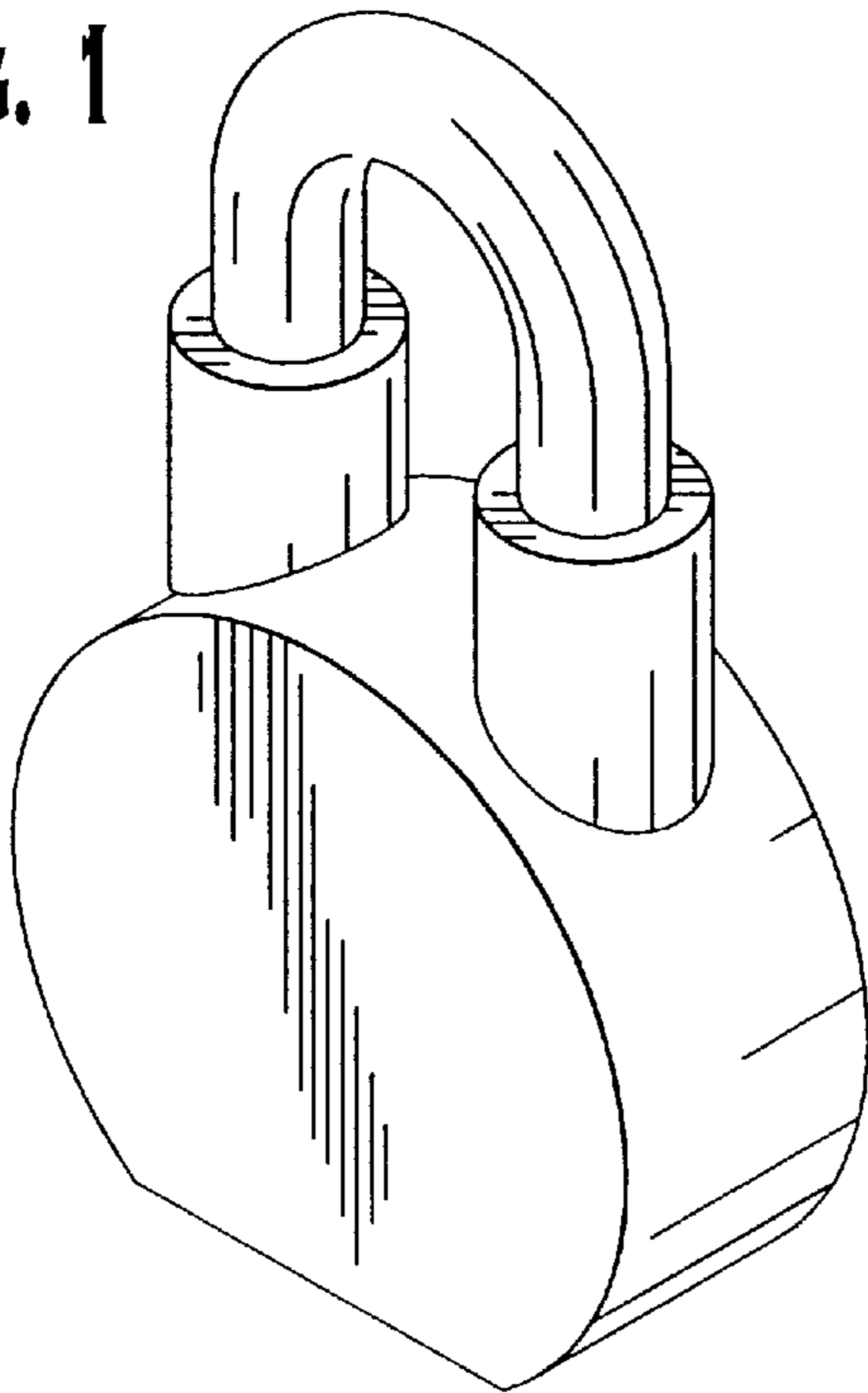


FIG. 2

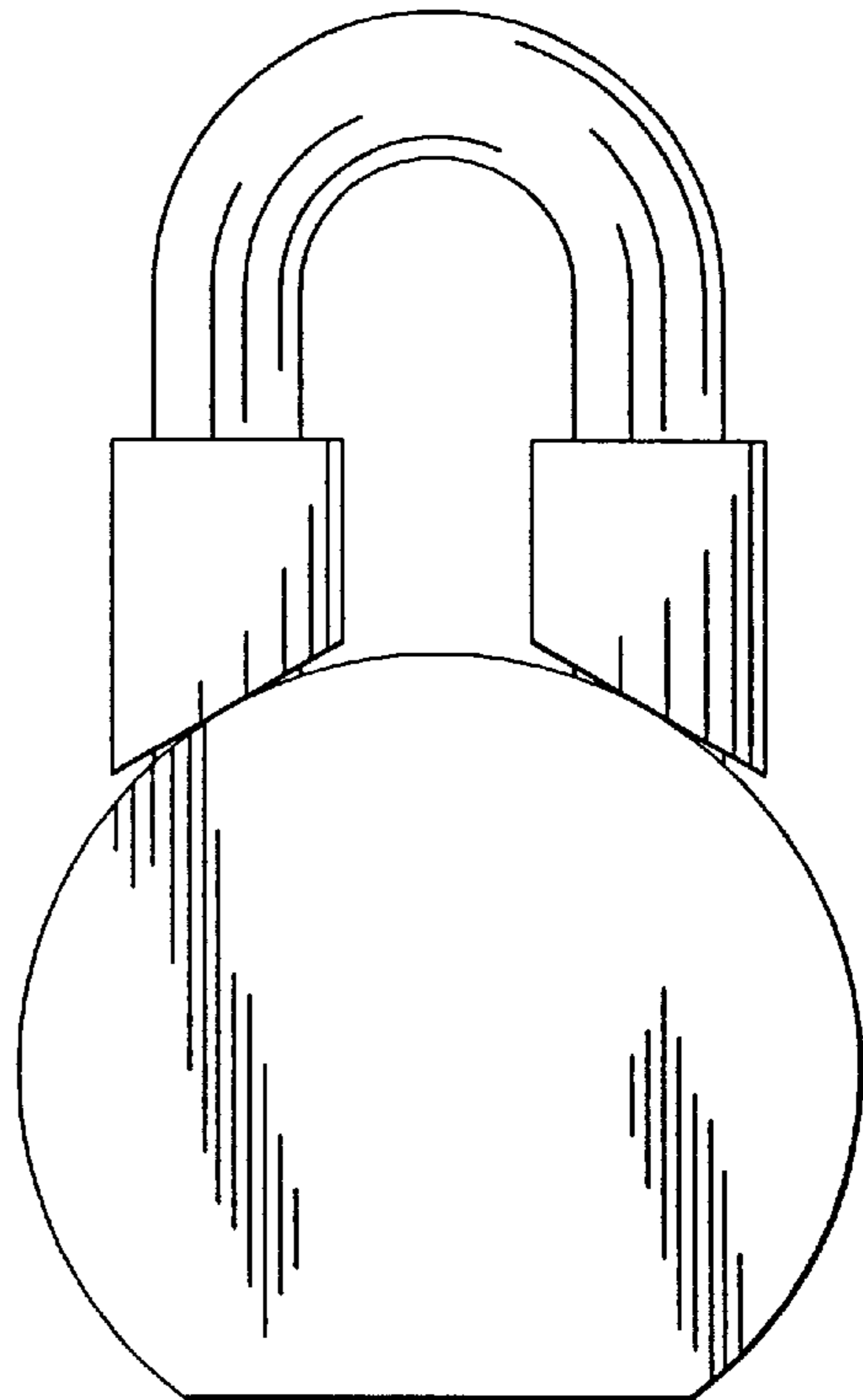


FIG. 3

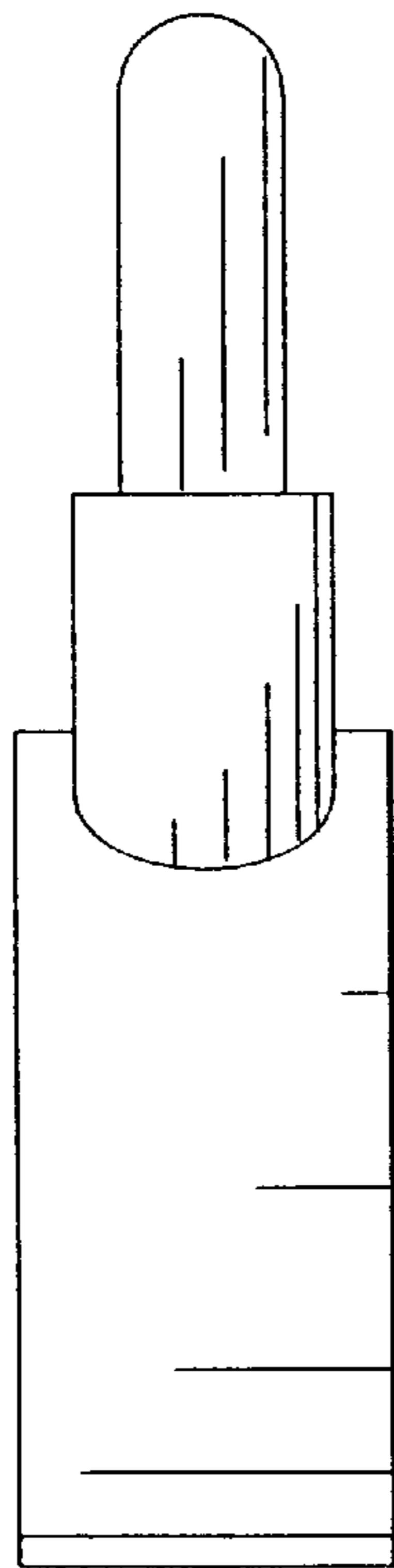


FIG. 4

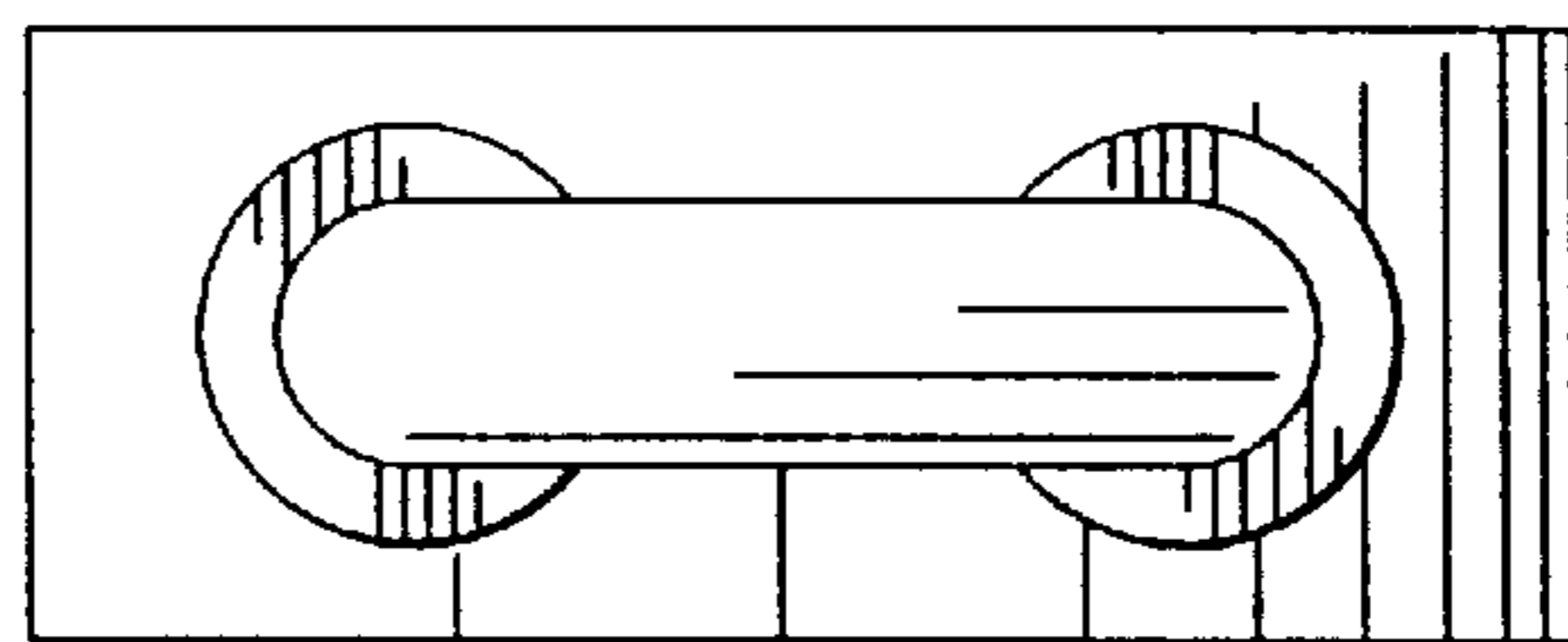


FIG. 5

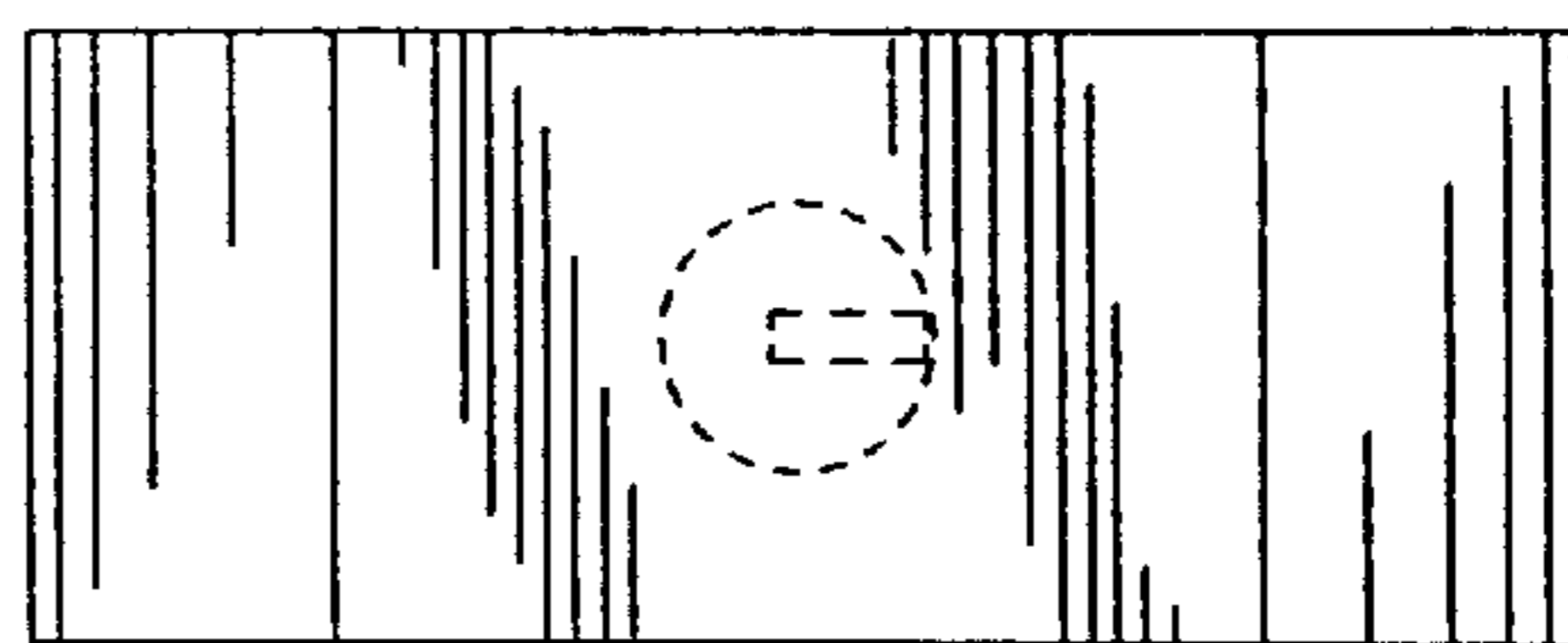


FIG. 6

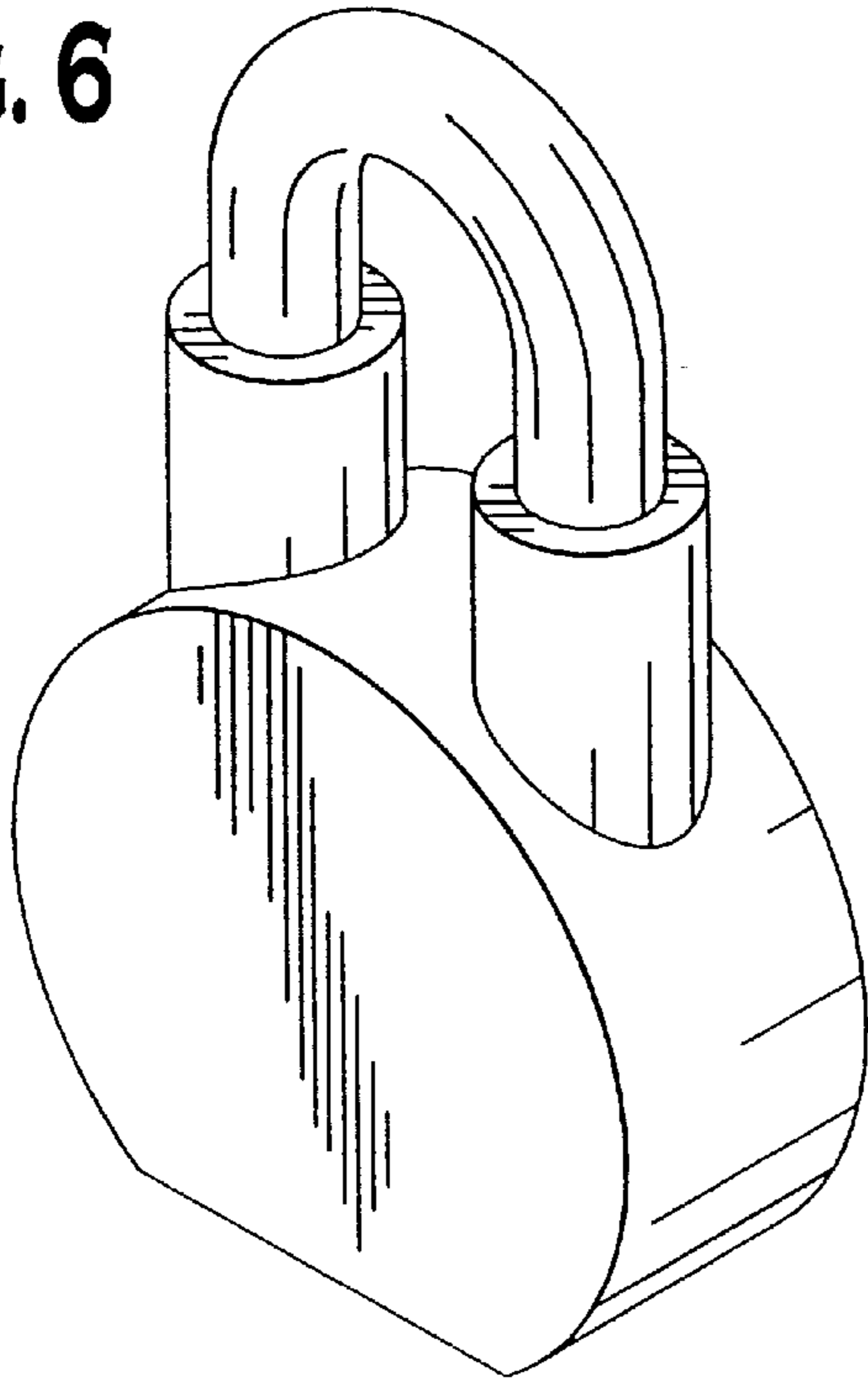


FIG. 7

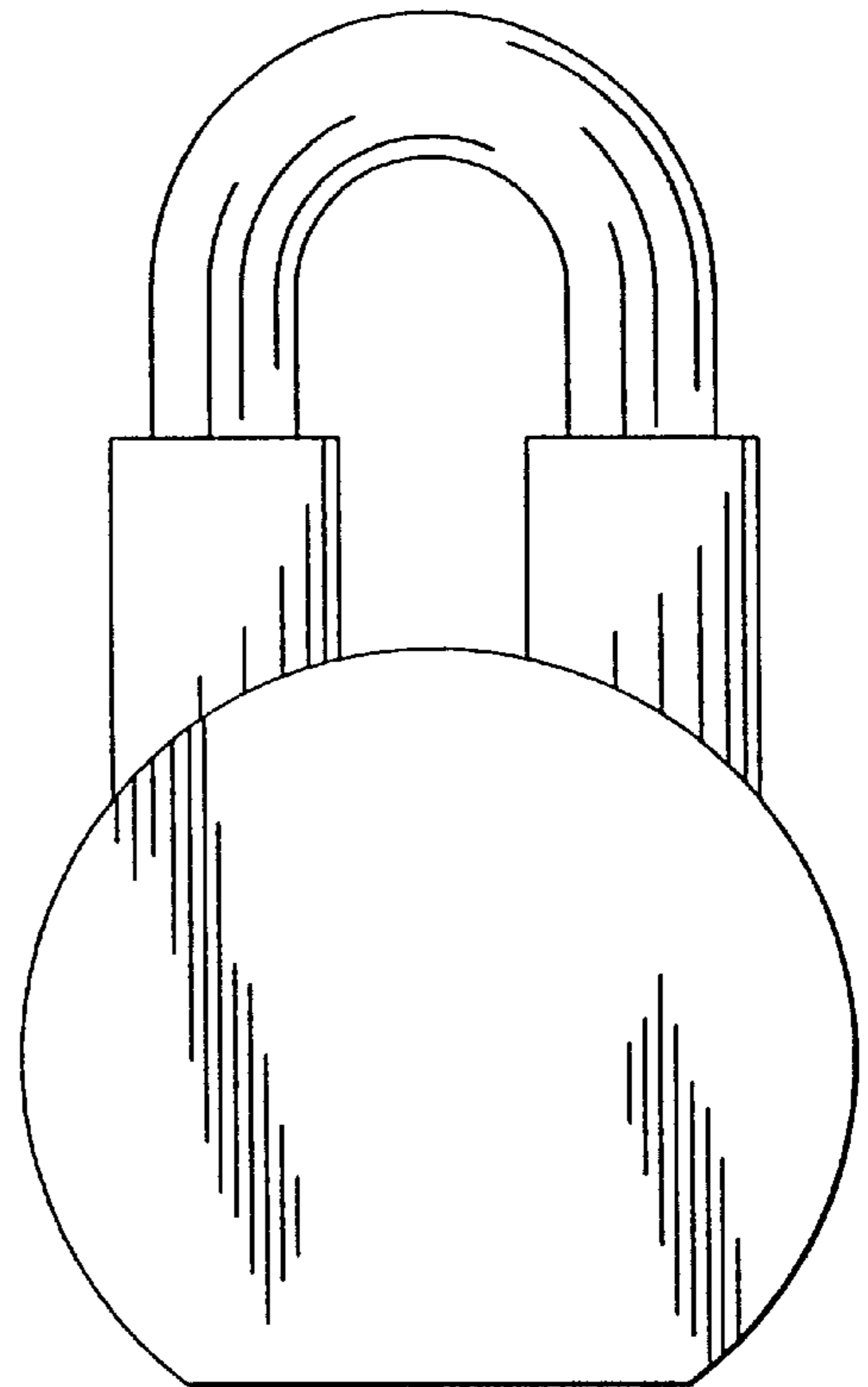


FIG. 8

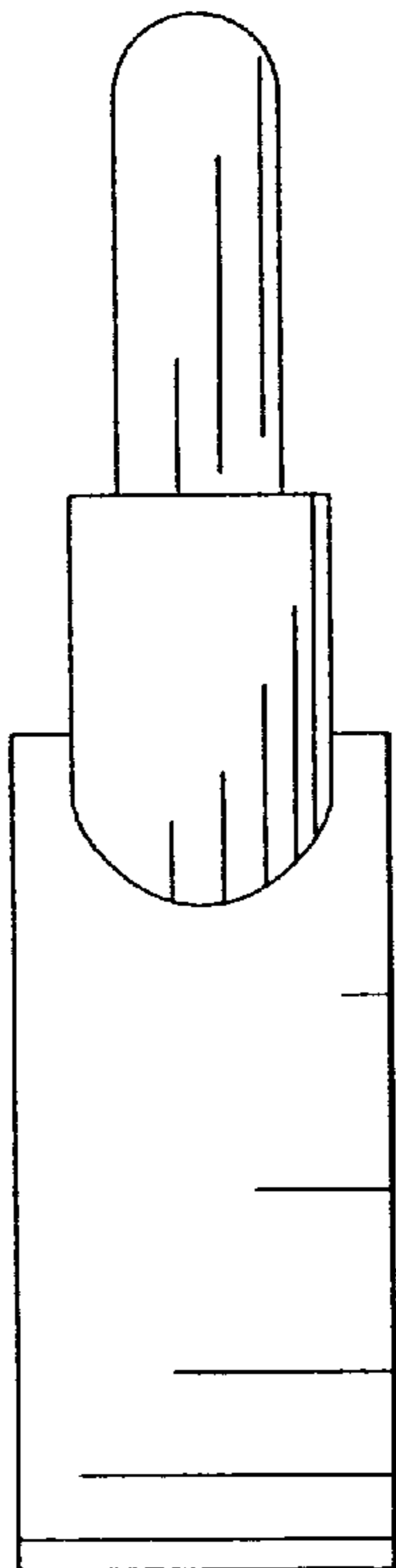


FIG. 9

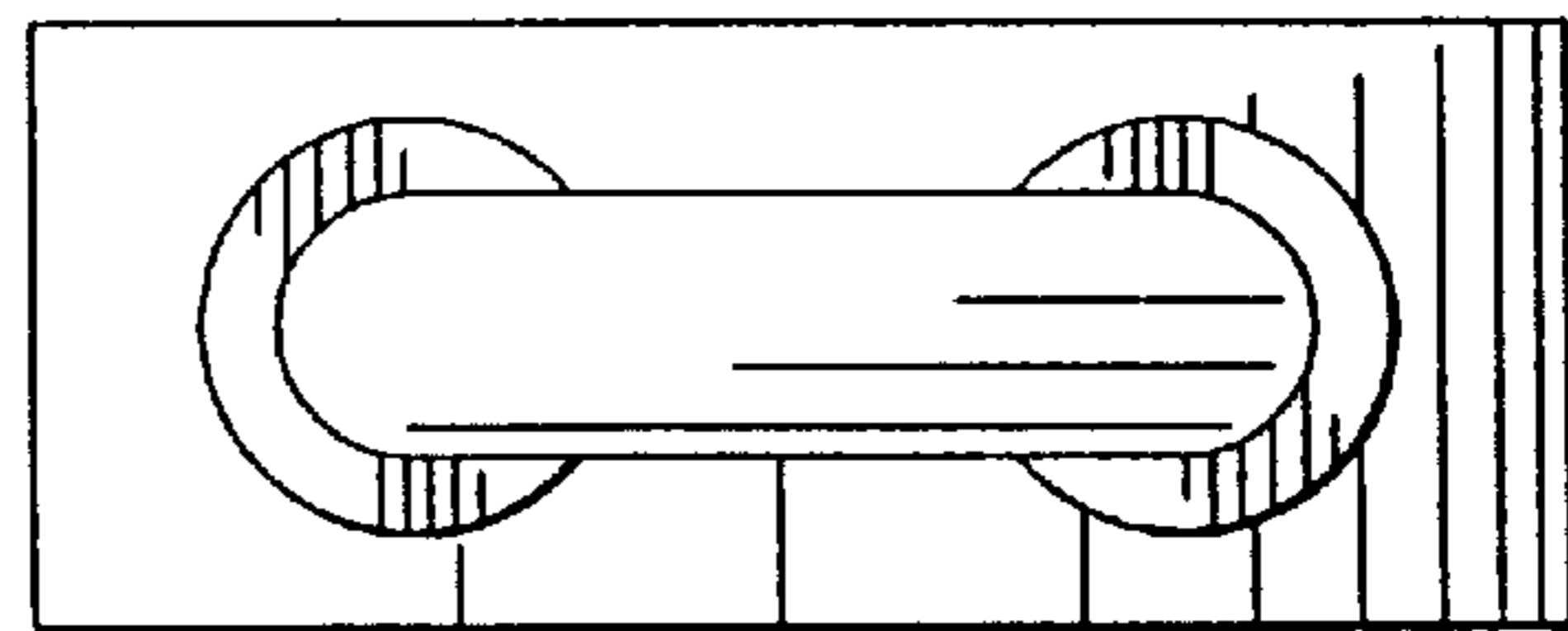


FIG. 10

