



US00D476215S

(12) **United States Design Patent**
Chuang

(10) **Patent No.:** **US D476,215 S**

(45) **Date of Patent:** **** Jun. 24, 2003**

(54) **TOOL KIT FOR BICYCLES**

6,286,168 B1 * 9/2001 Woodruff et al. 7/138
6,286,397 B1 * 9/2001 Taggart et al. 81/63.1

(76) Inventor: **Louis Chuang**, 7F-8, No. 20, Ta Lon Road, Taichung (TW)

* cited by examiner

(**) Term: **14 Years**

Primary Examiner—Philip S. Hyder
(74) *Attorney, Agent, or Firm*—Alan D. Kamrath; Rider Bennett, LLP

(21) Appl. No.: **29/166,546**

(22) Filed: **Aug. 29, 2002**

(57) **CLAIM**

(51) **LOC (7) Cl.** **08-05**

The ornamental design for a tool kit for bicycles, as shown and described.

(52) **U.S. Cl.** **D8/105; D8/26**

(58) **Field of Search** D8/14, 21, 105, D8/107, 26; 7/138, 118, 168, 170; 81/177.1, 177.2, 177.6, 440

DESCRIPTION

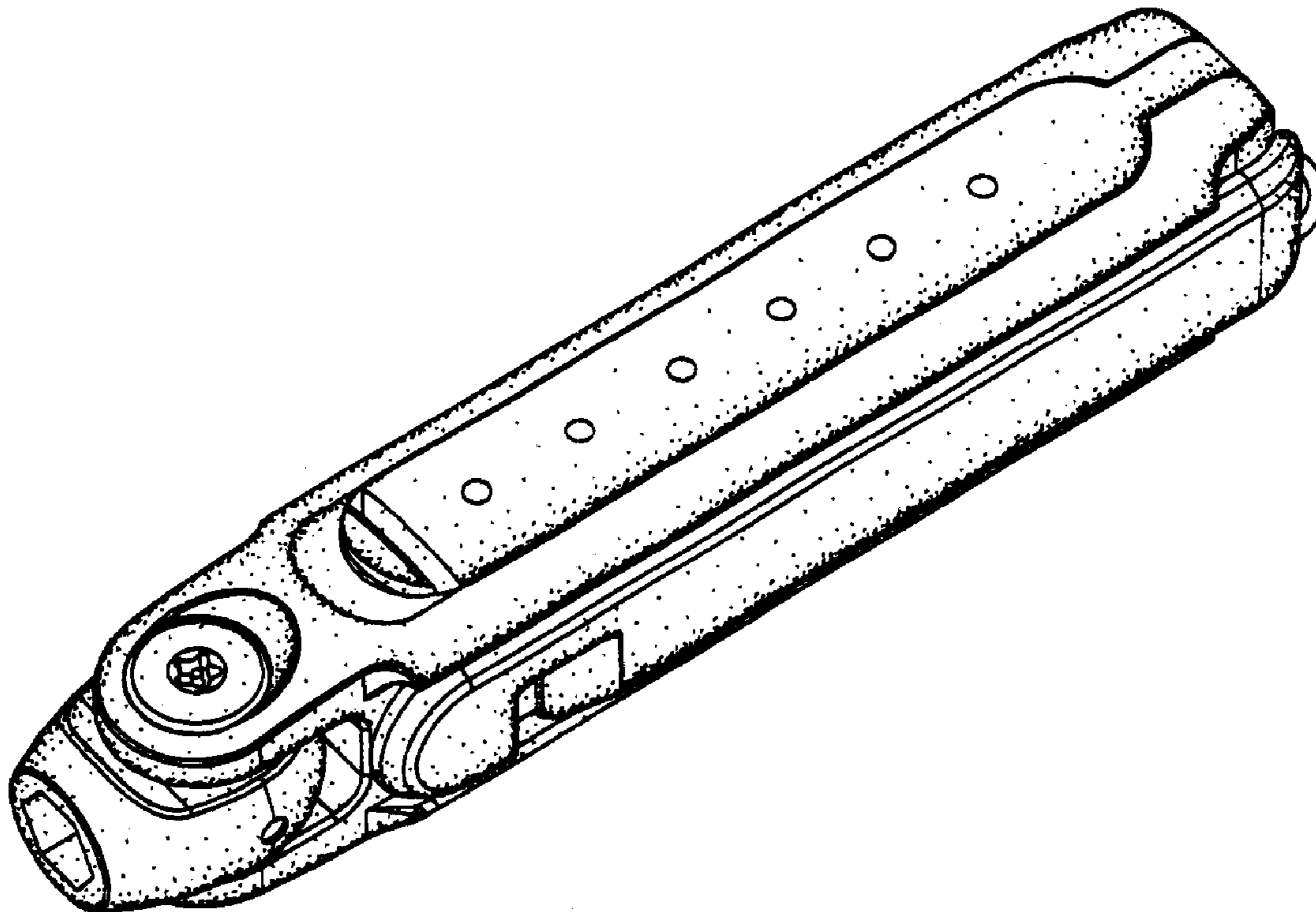
(56) **References Cited**

U.S. PATENT DOCUMENTS

D332,211 S * 1/1993 Scott, III D8/105
5,711,042 A * 1/1998 Chuang 7/138
D423,214 S * 4/2000 Hawkins et al. D3/294
D427,875 S * 7/2000 Chiu D8/105
6,112,351 A * 9/2000 Hawkins et al. 7/138

FIG. 1 is a perspective view of a tool kit for bicycles showing my new design;
FIG. 2 is a front elevational view thereof;
FIG. 3 is a rear elevational view thereof;
FIG. 4 is a left elevational view thereof;
FIG. 5 is a right elevational view thereof;
FIG. 6 is a top plan view thereof; and,
FIG. 7 is a bottom plan view thereof.

1 Claim, 2 Drawing Sheets



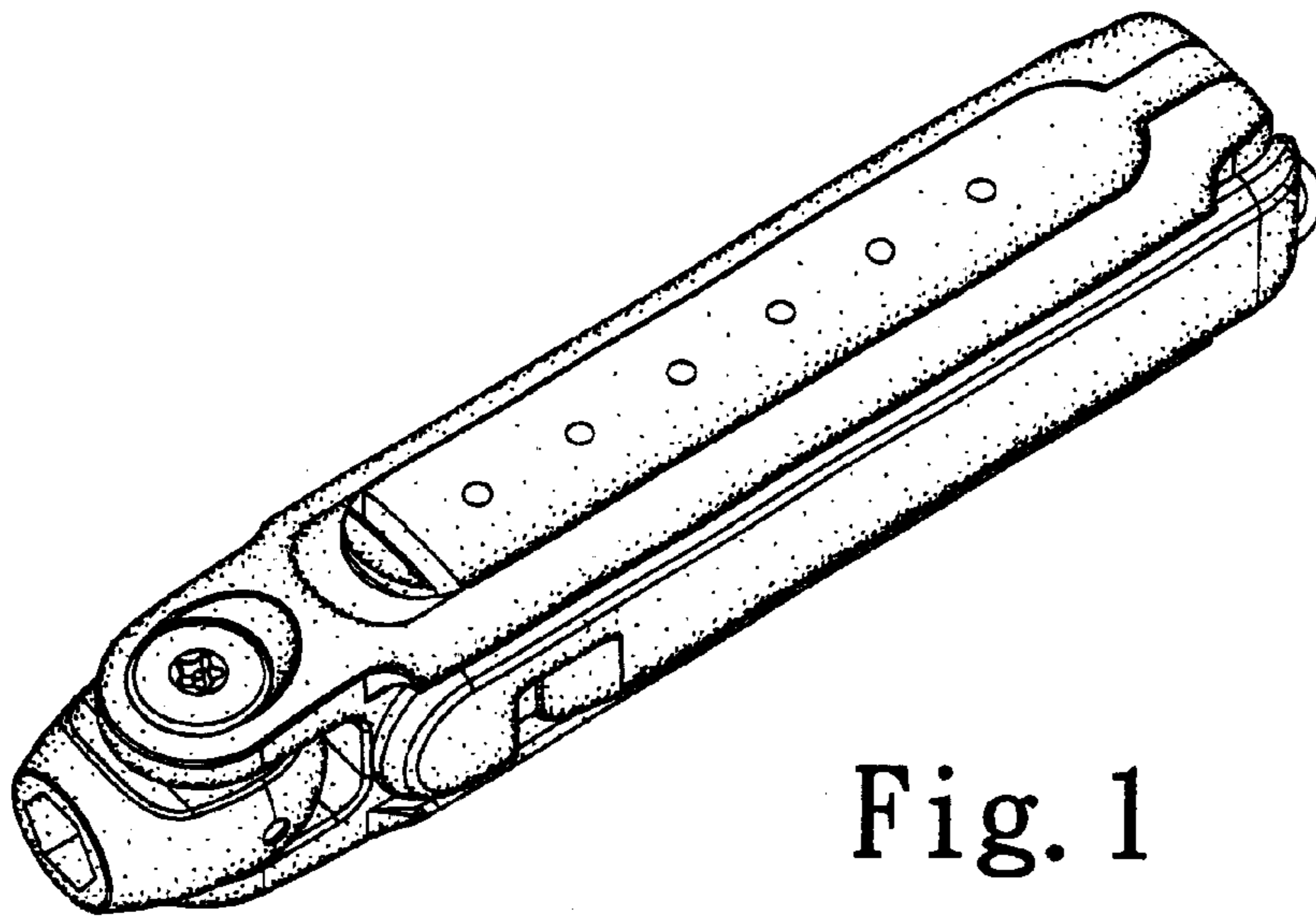


Fig. 1

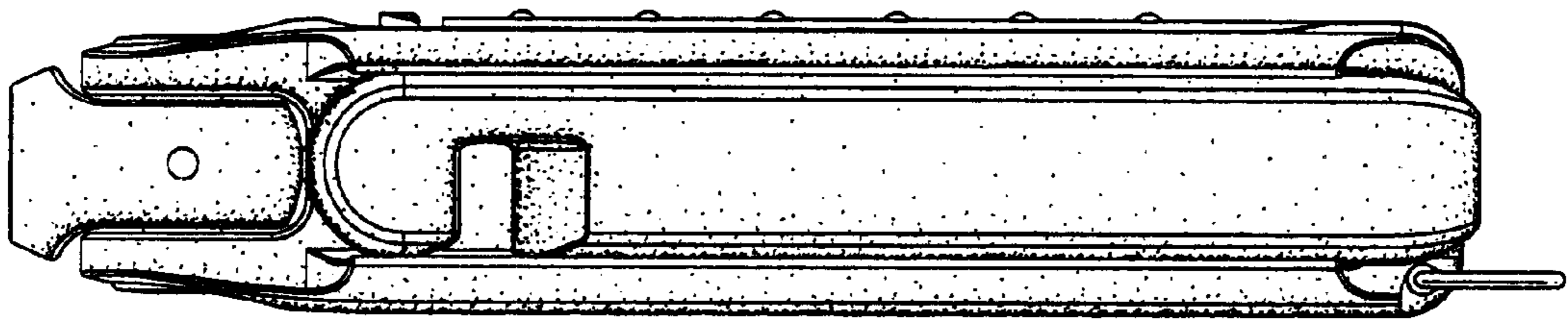


Fig. 2

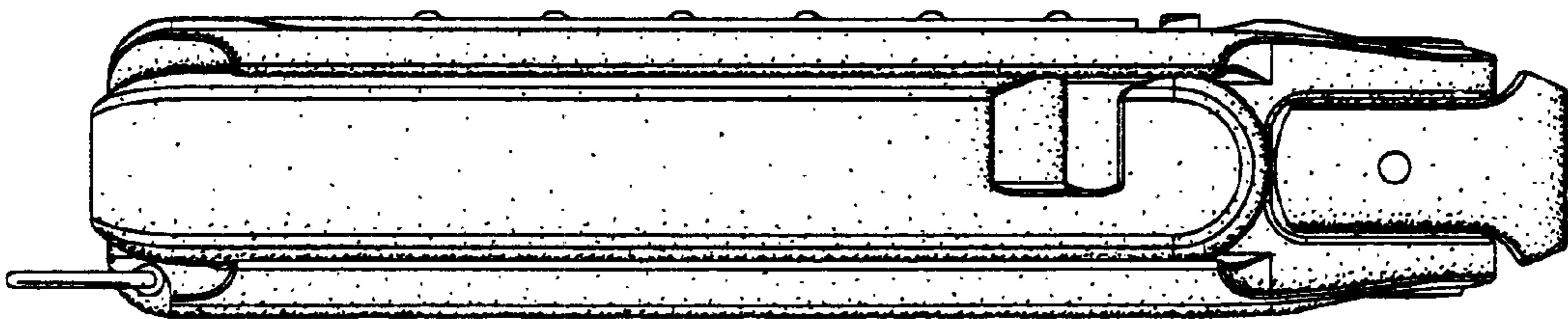


Fig. 3

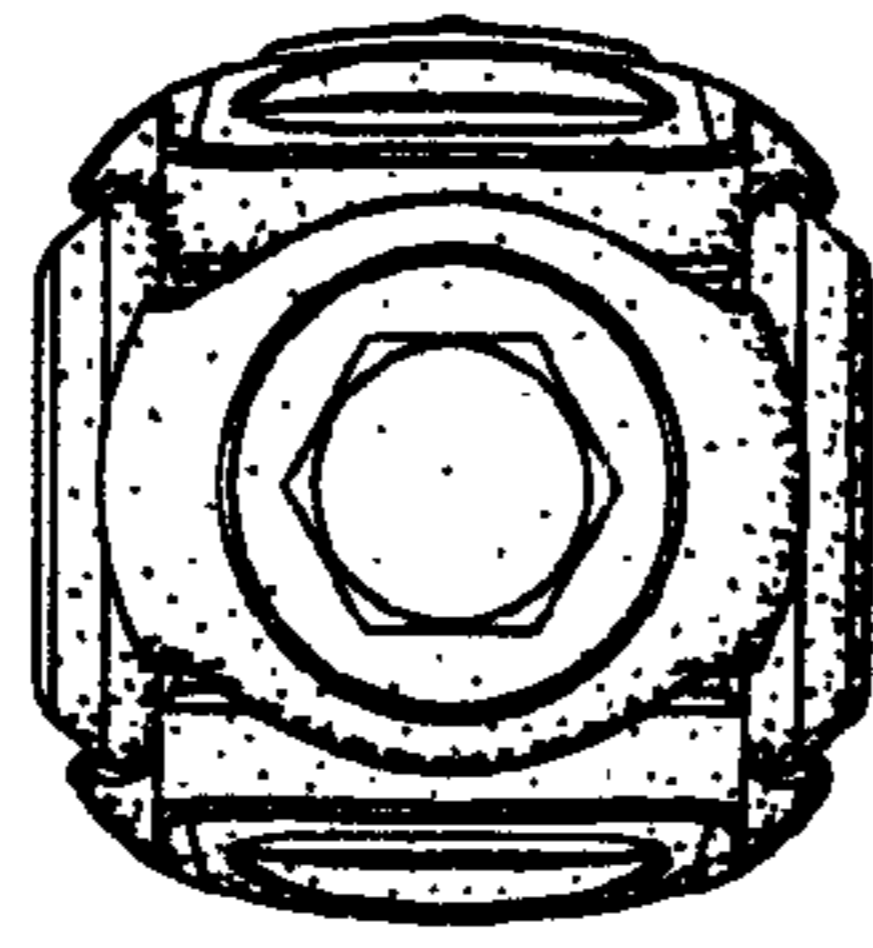


Fig. 4

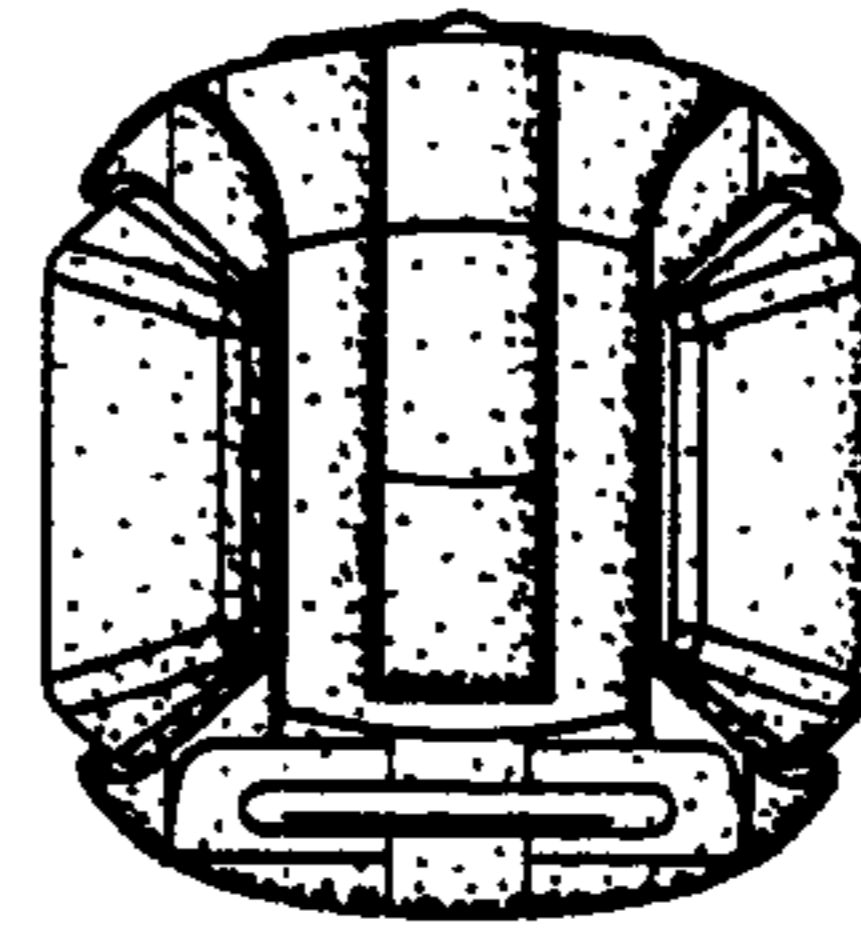


Fig. 5

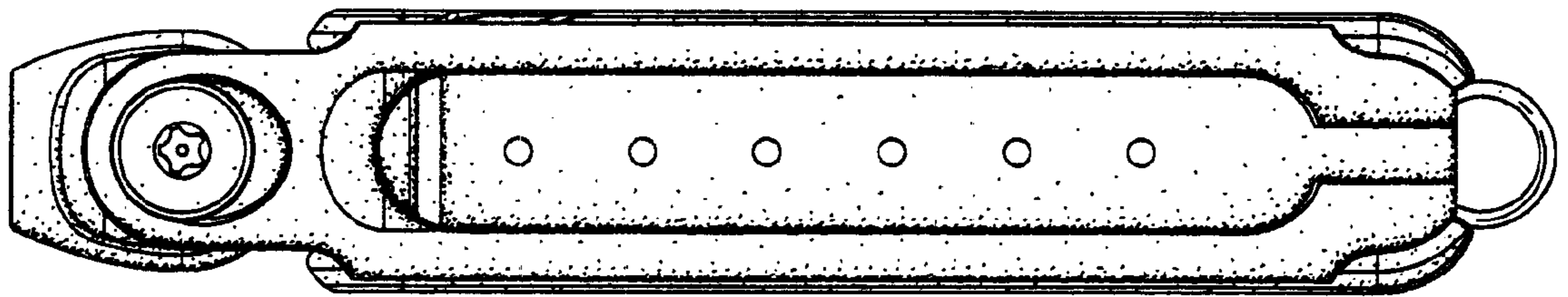


Fig. 6

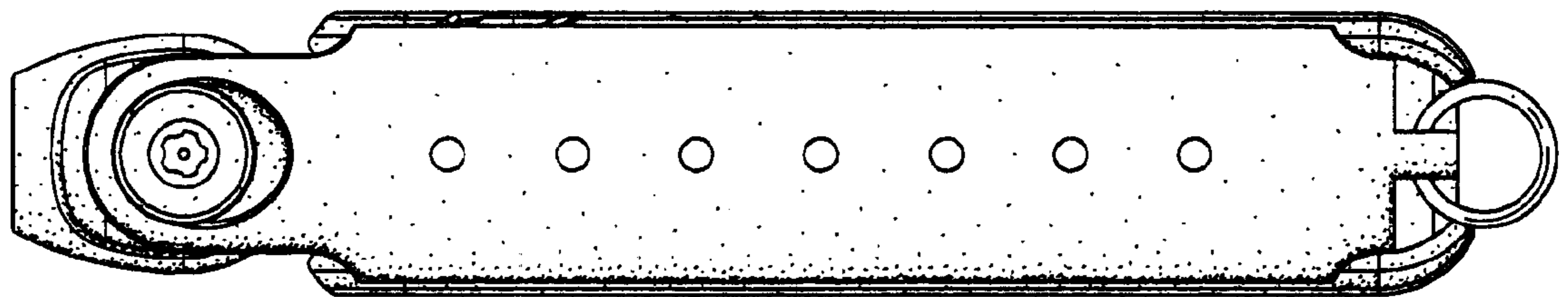


Fig. 7