



US00D476210S

(12) **United States Design Patent**  
**Chen**

(10) **Patent No.:** **US D476,210 S**

(45) **Date of Patent:** **\*\* Jun. 24, 2003**

(54) **PNEUMATIC TOOL**

D436,818 S \* 1/2001 Izumisawa ..... D8/68  
D461,110 S \* 8/2002 Izumisawa ..... D8/68

(75) Inventor: **Hsin-Chi Chen**, Taiping (TW)

**OTHER PUBLICATIONS**

(73) Assignee: **Tranmax Machinery Co., Ltd**,  
Taichung Hsien (TW)

Impact wrench, CP-9533-RS, Light assembly air tools,  
Chicago Pneumatic catalogue, p. 23,1989, c. Feb. 1989.\*  
Twin hammer heavy duty air impact wrench, ZK-507, Zone  
King Industrial Co. brochure.\*

(\*\*) Term: **14 Years**

\* cited by examiner

(21) Appl. No.: **29/167,510**

(22) Filed: **Sep. 17, 2002**

*Primary Examiner*—Doris V. Coles  
*Assistant Examiner*—T. Chase Nelson  
(74) *Attorney, Agent, or Firm*—Troxell Law Office PLLC

(51) **LOC (7) Cl.** ..... **08-05**

(52) **U.S. Cl.** ..... **D8/68**

(58) **Field of Search** ..... D8/61, 62, 63,  
D8/64, 65, 66, 67, 68, 69, 70; 81/57.11,  
429, 464, 465, 466, 469, 489; 173/13, 169,  
178, 213, 217; 227/8, 114, 120, 130, 136,  
142; 310/50; 408/20, 124, 125, 234, 241 R;  
451/358

(57) **CLAIM**

The ornamental design for a pneumatic tool, as shown and  
described.

**DESCRIPTION**

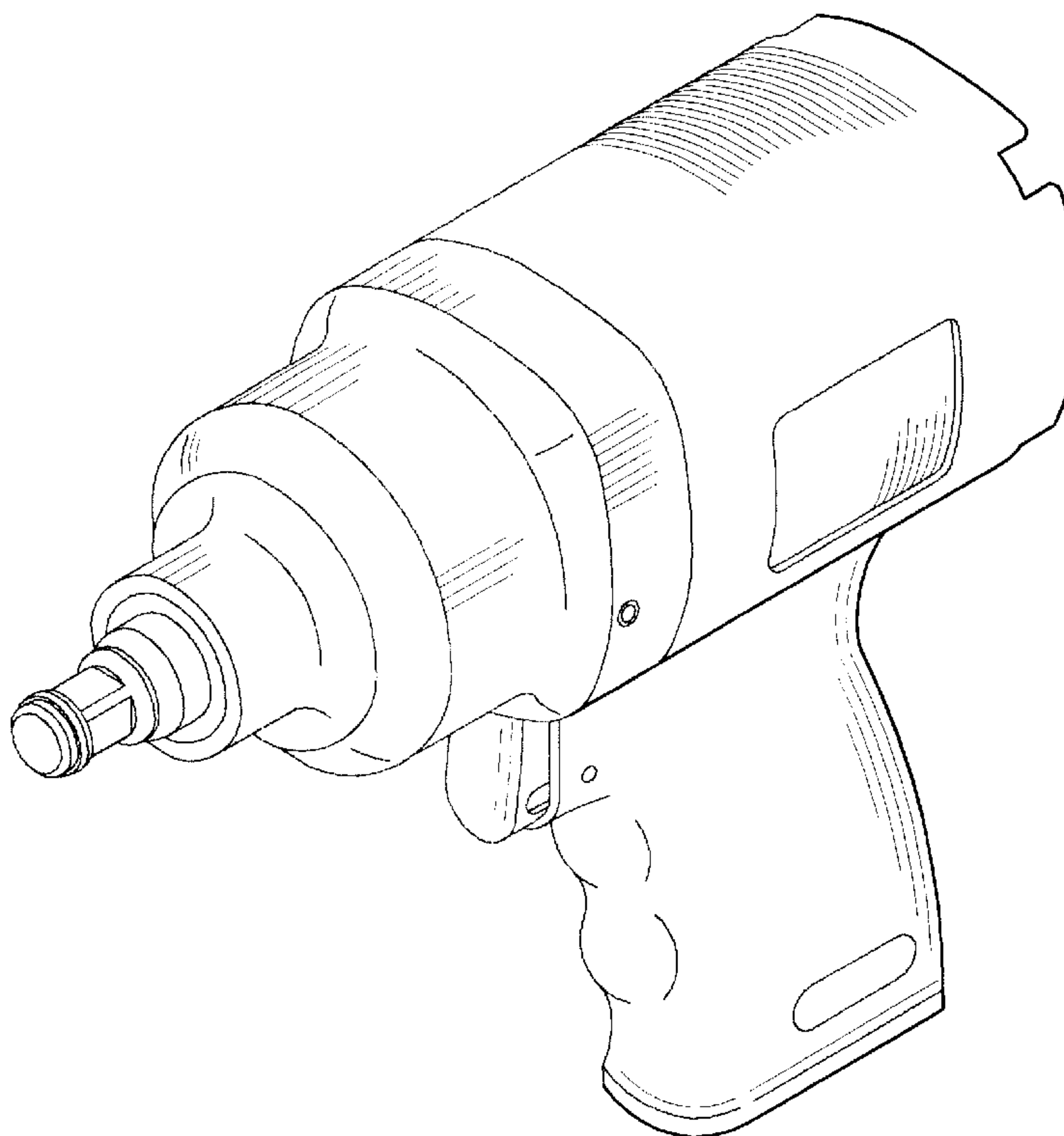
(56) **References Cited**

**U.S. PATENT DOCUMENTS**

D339,726 S	*	9/1993	Bruno et al.	.....	D8/68
D388,301 S	*	12/1997	Steel	.....	D8/68
D393,580 S	*	4/1998	Bantly et al.	.....	D8/68
D403,564 S	*	1/1999	Izumisawa	.....	D8/68
5,918,686 A	*	7/1999	Izumisawa	.....	173/169
D434,297 S	*	11/2000	Iritani et al.	.....	D8/68
D434,958 S	*	12/2000	Izumisawa	.....	D8/68

FIG. 1 is a perspective view showing the front, right side and  
top of my new design for a pneumatic tool;  
FIG. 2 is a right side view thereof;  
FIG. 3 is a left side view thereof;  
FIG. 4 is a top view thereof;  
FIG. 5 is a bottom view thereof;  
FIG. 6 is a front view thereof; and,  
FIG. 7 is a rear view thereof.

**1 Claim, 4 Drawing Sheets**



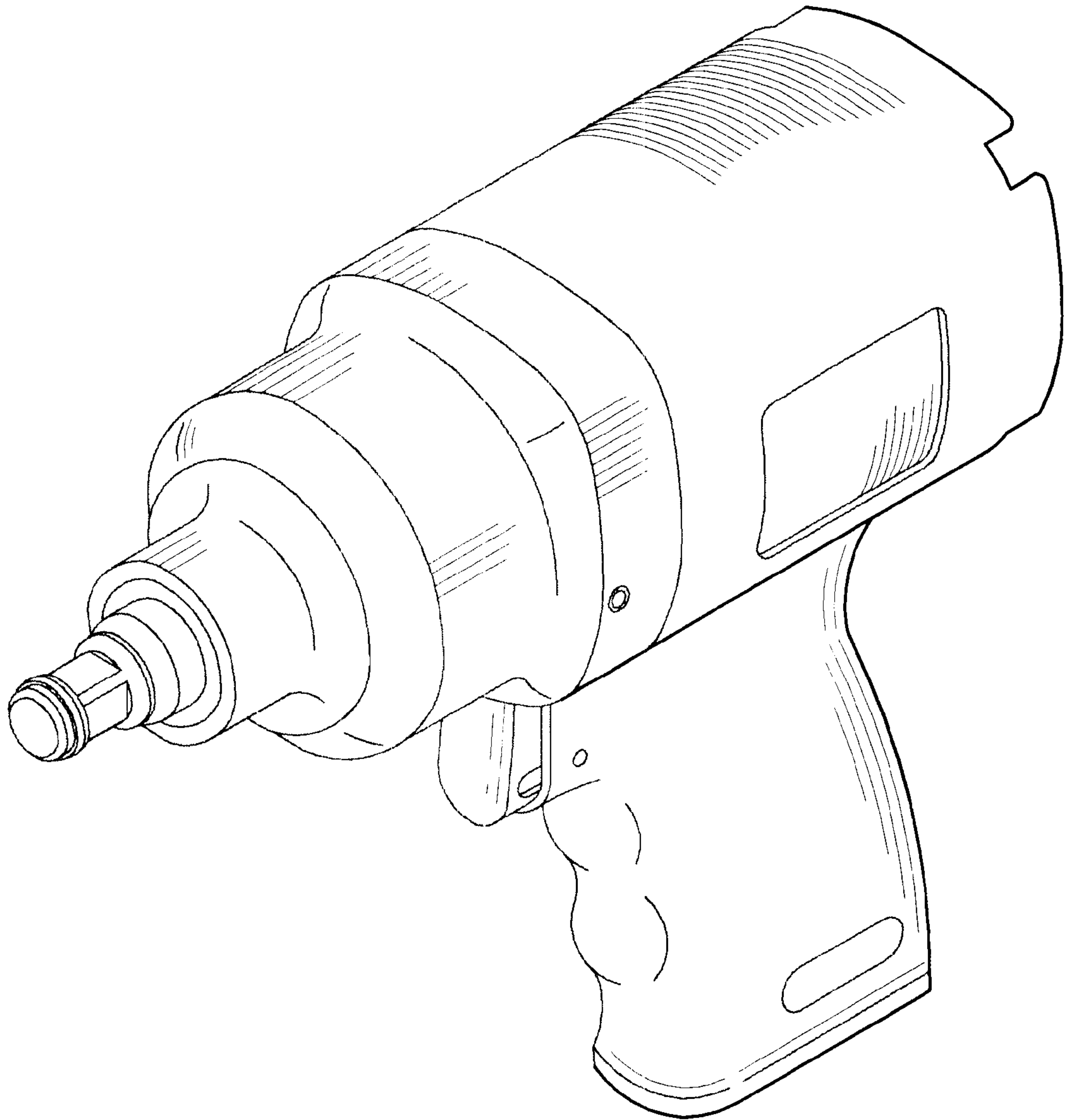


Fig. 1

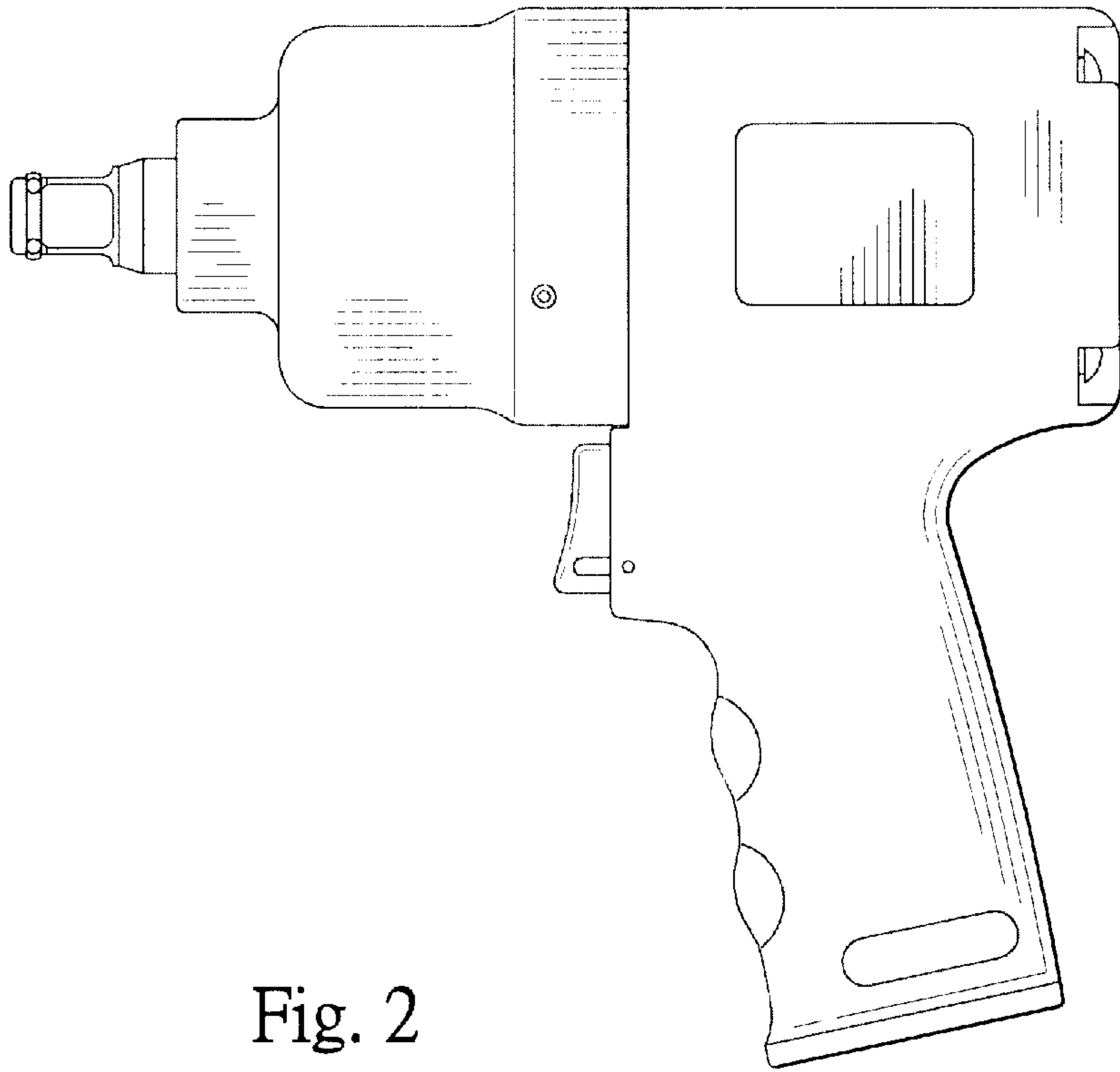


Fig. 2

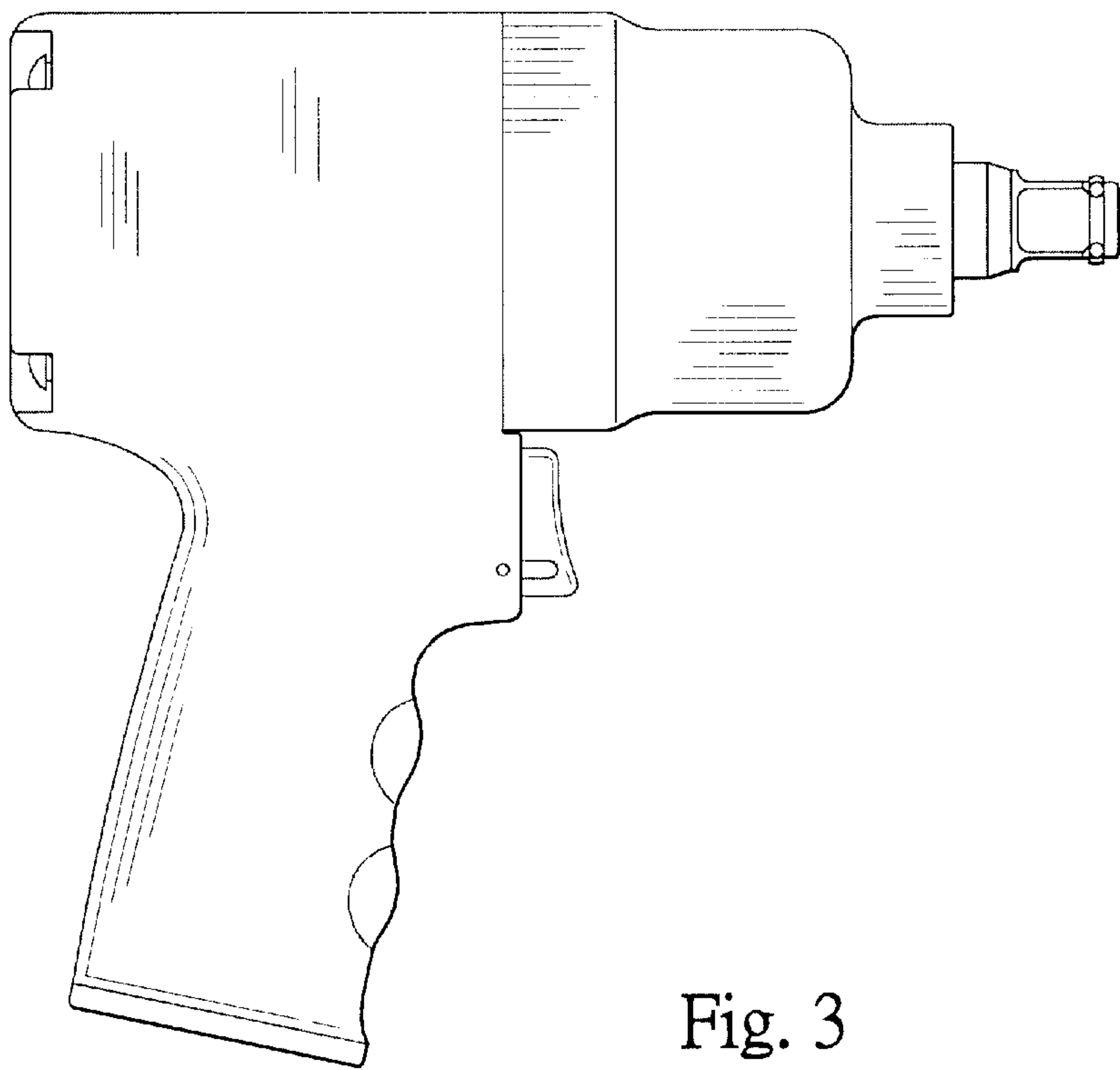


Fig. 3

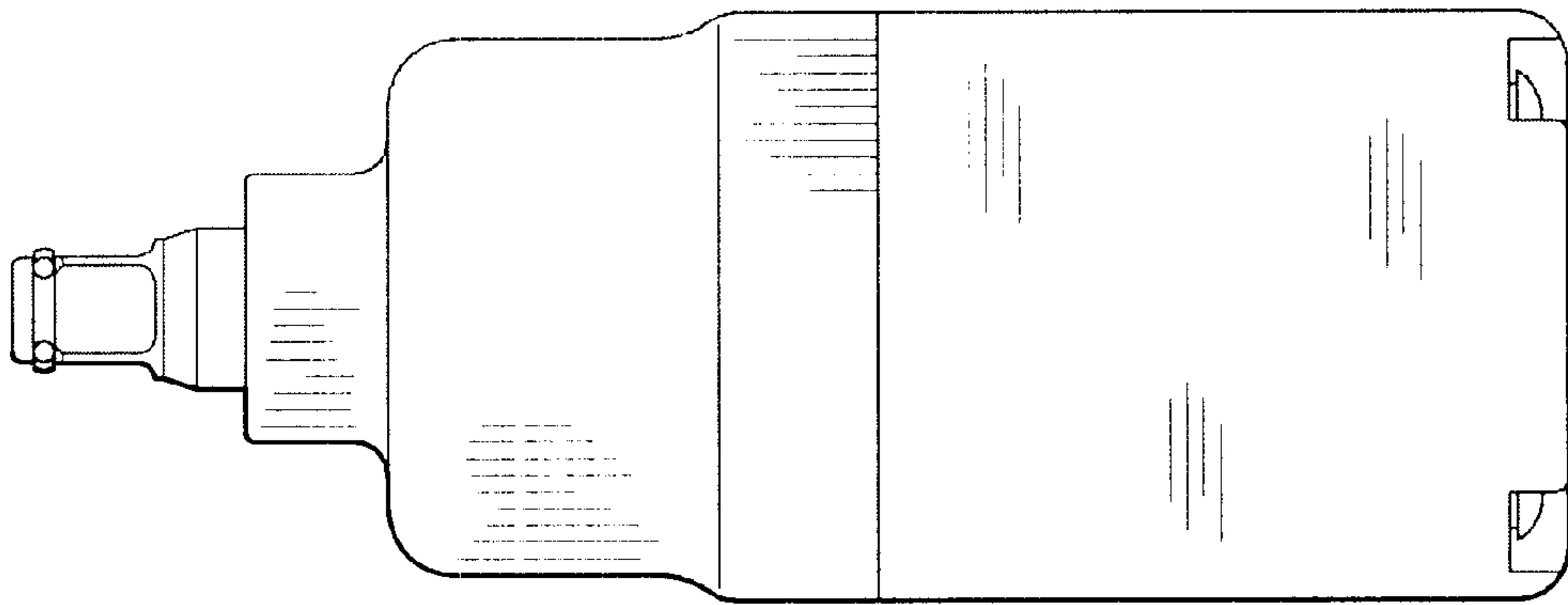


Fig. 4

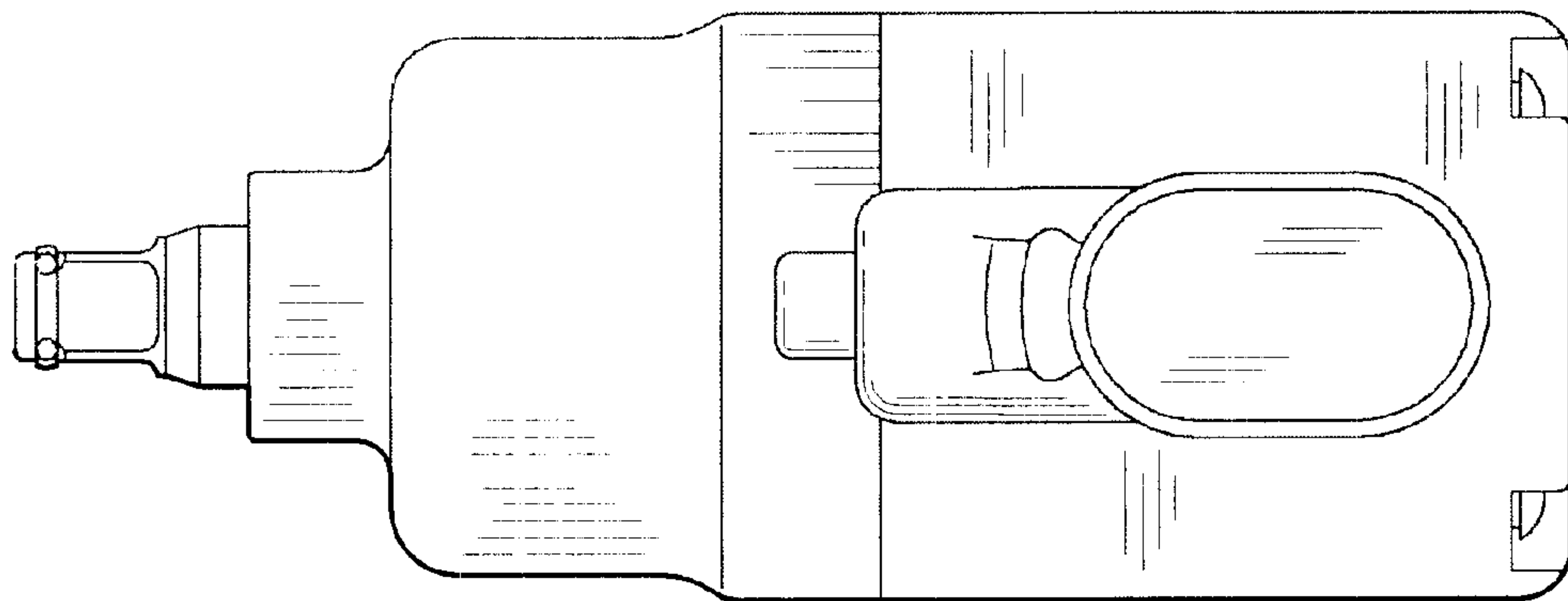


Fig. 5

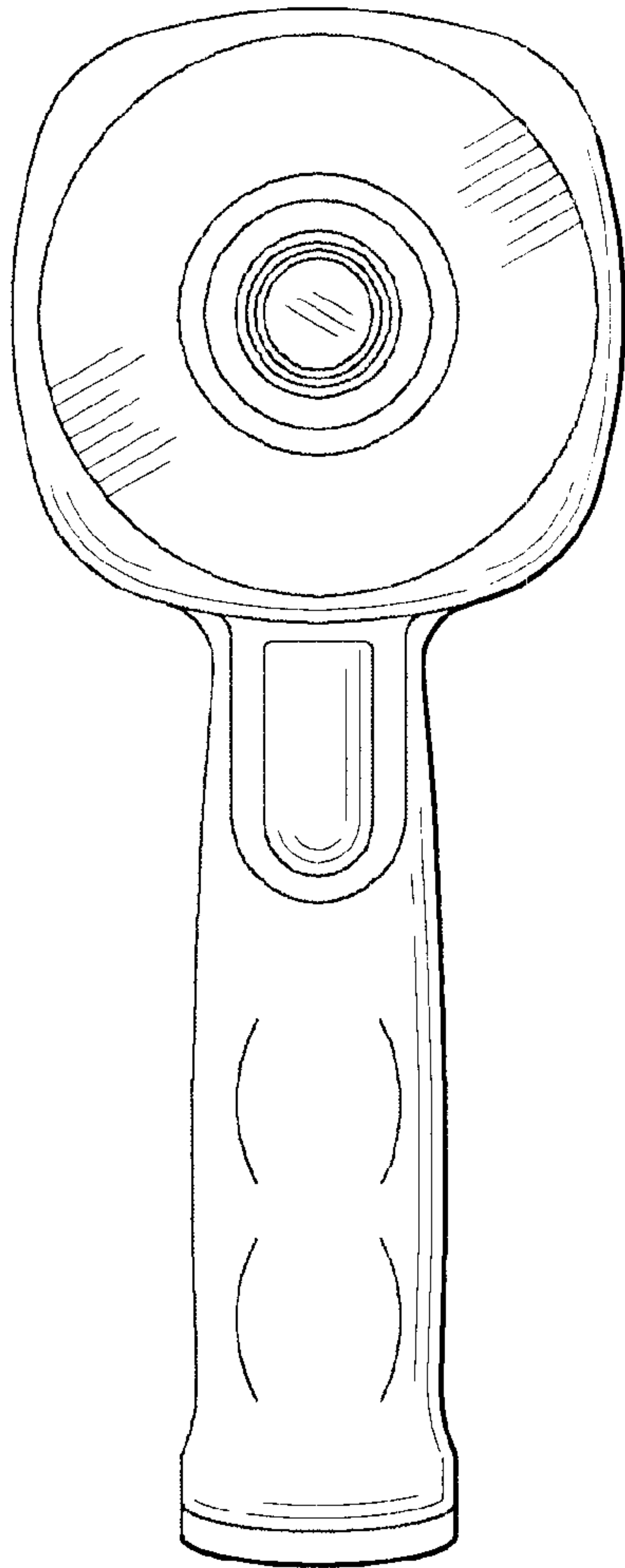


Fig. 6

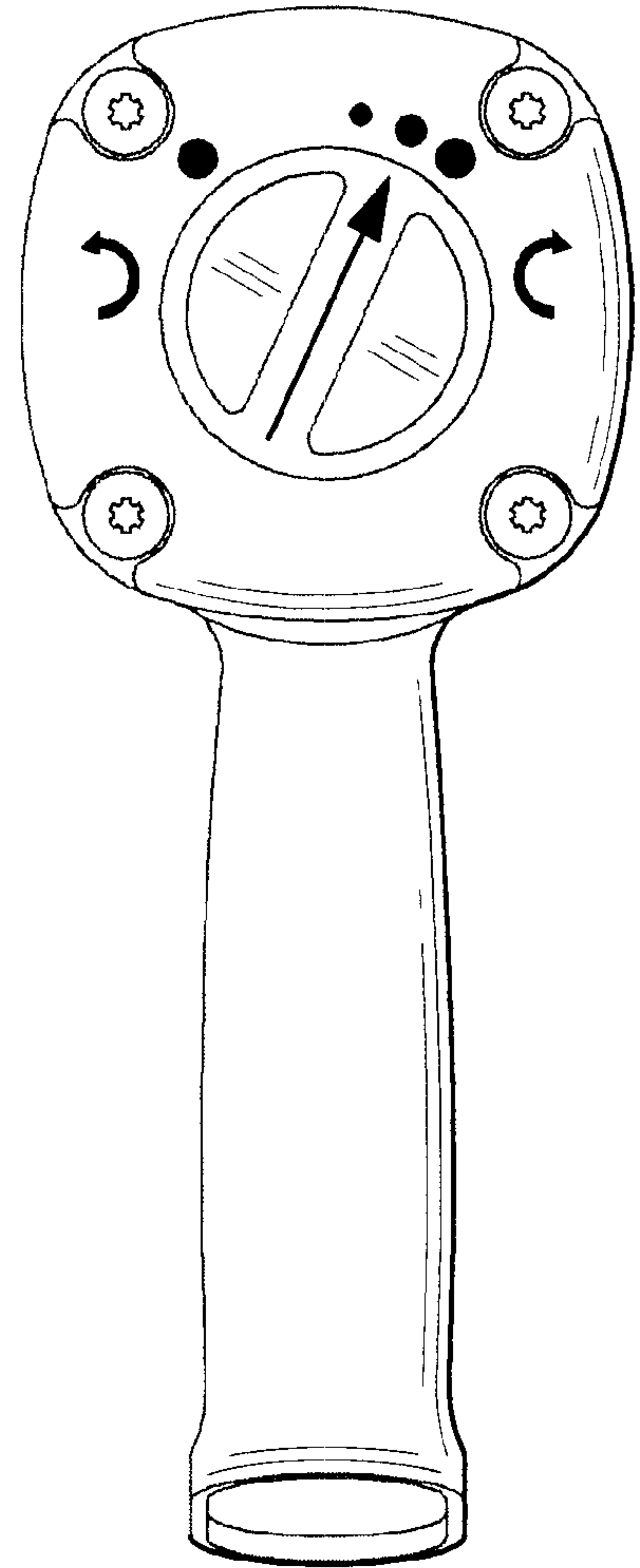


Fig. 7