



US00D476209S

(12) **United States Design Patent**
Chen

(10) **Patent No.:** **US D476,209 S**

(45) **Date of Patent:** **** Jun. 24, 2003**

(54) **PNEUMATIC DRILL**

D459,643 S * 7/2002 Morgan D8/68
D460,675 S * 7/2002 Morgan D8/68

(76) Inventor: **Lung-Hui Chen**, No. 296-1, Jungshan Rd., Jubei City, Hsinchu (TW)

* cited by examiner

(**) Term: **14 Years**

Primary Examiner—Doris V. Coles
Assistant Examiner—T. Chase Nelson
(74) *Attorney, Agent, or Firm*—Bacon & Thomas, PLLC

(21) Appl. No.: **29/164,630**

(22) Filed: **Jul. 30, 2002**

(57) **CLAIM**

(51) **LOC (7) Cl.** **08-01**

(52) **U.S. Cl.** **D8/68**

(58) **Field of Search** D8/61, 62, 63,
D8/64, 65, 66, 67, 68, 69, 70; 81/57.11,
429, 464, 465, 466, 469, 489; 173/13, 169,
178, 213, 217; 227/8, 114, 120, 130, 136,
142; 310/50; 408/20, 124, 125, 234, 241 R;
451/358

The ornamental design for “pneumatic drill”, as shown and described.

DESCRIPTION

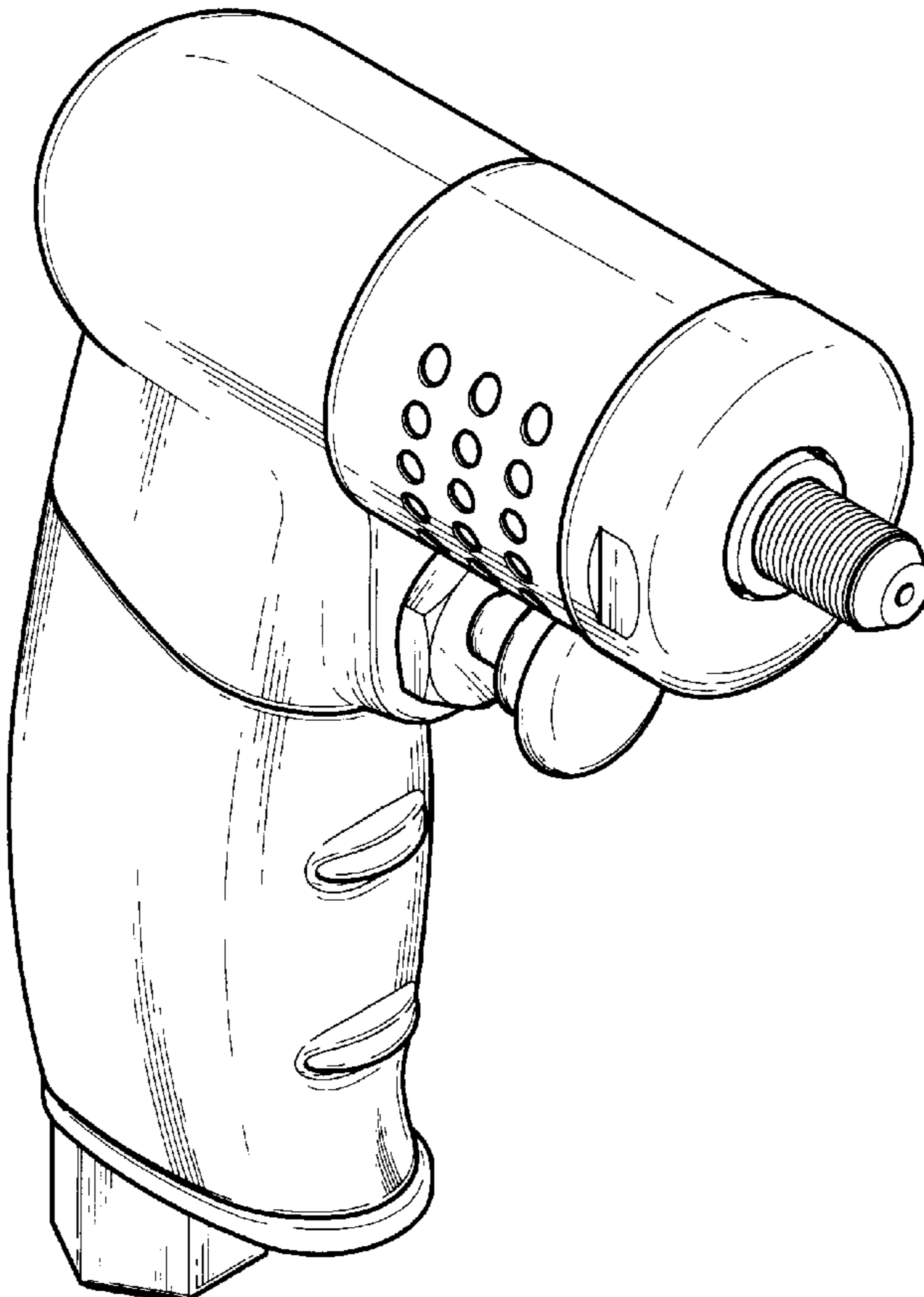
(56) **References Cited**

U.S. PATENT DOCUMENTS

3,043,274	A	*	7/1962	Quackenbush	173/169
3,454,059	A	*	7/1969	Sindelar	81/429
3,901,631	A	*	8/1975	Wickham et al.	D8/68
D364,544	S	*	11/1995	Izumisawa	D8/68
D446,434	S	*	8/2001	Ashbaught et al.	D8/68
D459,180	S	*	6/2002	Morgan	D8/68
D459,182	S	*	6/2002	Morgan	D8/68

FIG. 1 is a perspective view of “pneumatic drill” showing our new design thereof;
FIG. 2 is a right side elevational view;
FIG. 3 is a top plan view thereof;
FIG. 4 is a front side elevational view;
FIG. 5 is a bottom plan view thereof;
FIG. 6 is a left side elevational view;
FIG. 7 is a rear side elevational view; and,
FIG. 8 is a perspective view thereof shown in condition of use.
The broken line showing of environmental structure is for illustrative purposes only and forms no part of the claimed design.

1 Claim, 5 Drawing Sheets



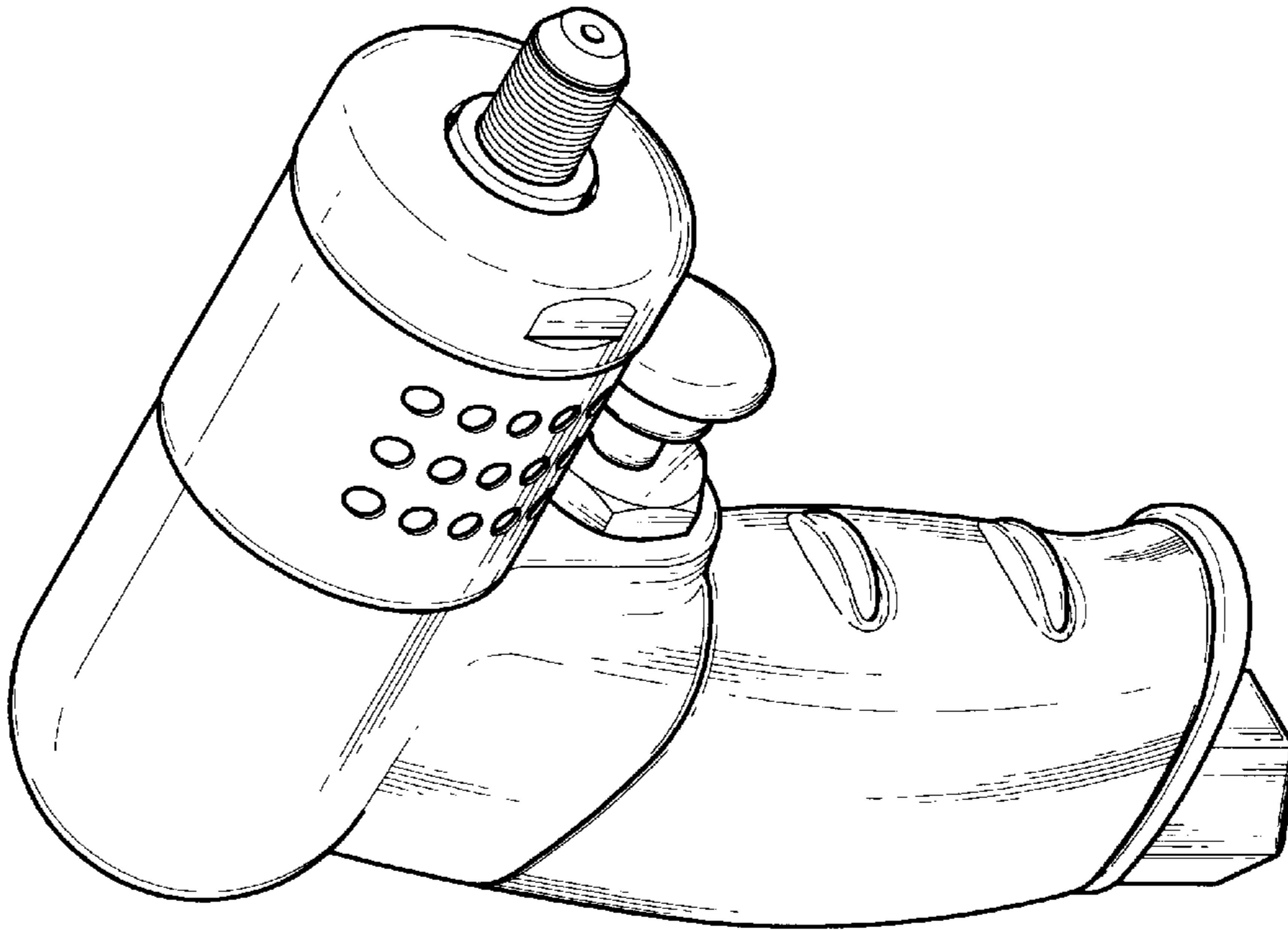


Fig.1

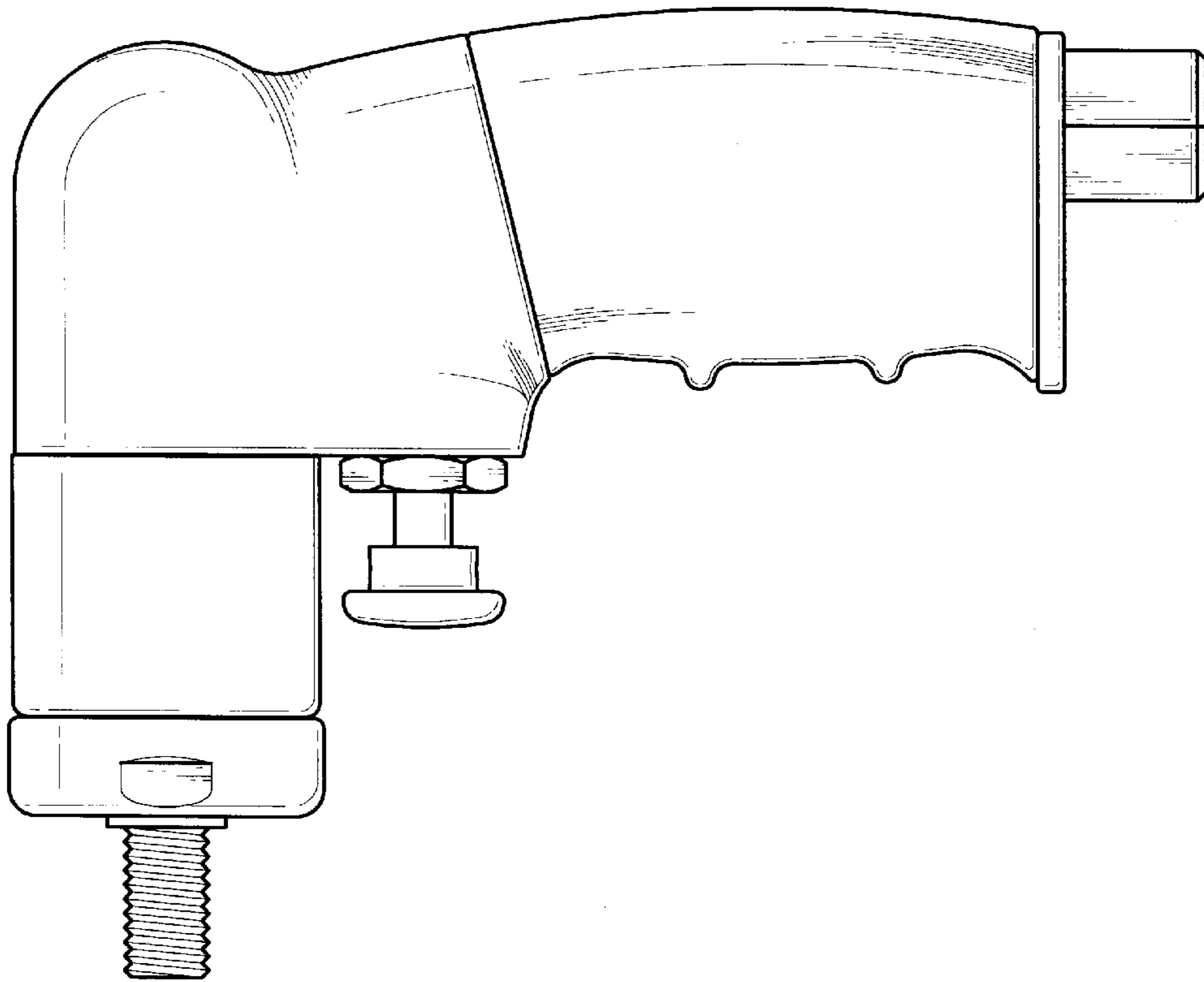


Fig. 2

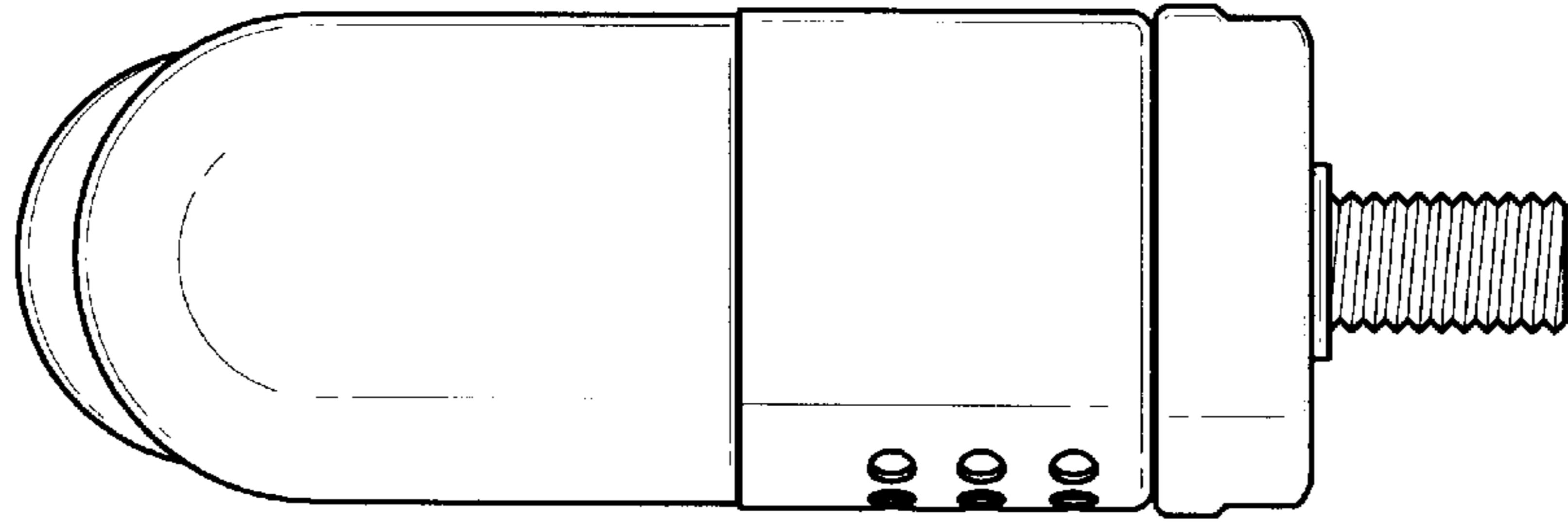


Fig. 3

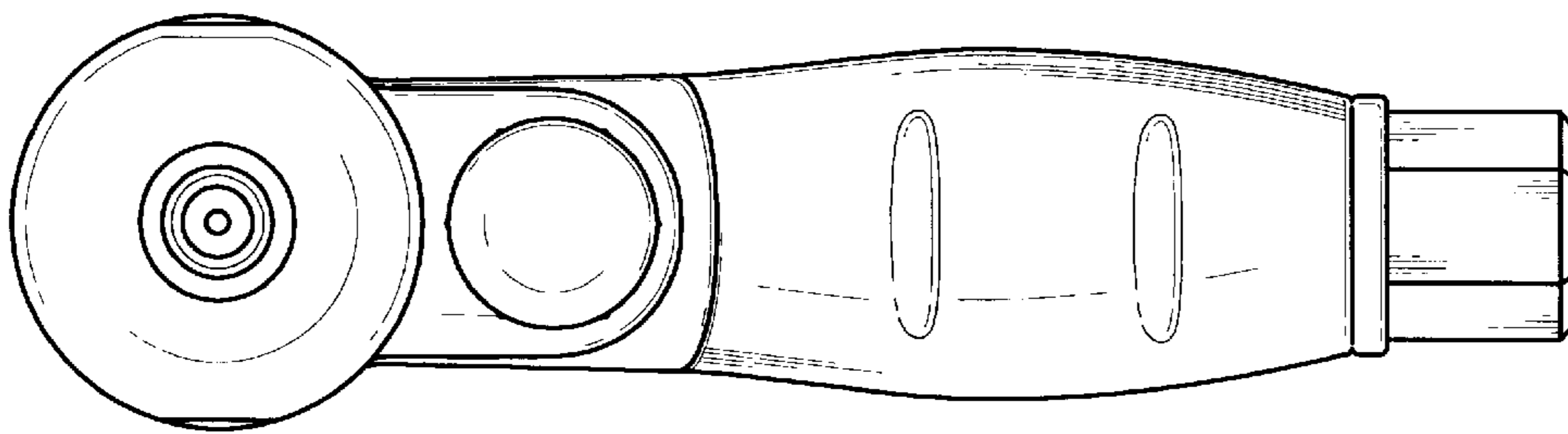


Fig. 4

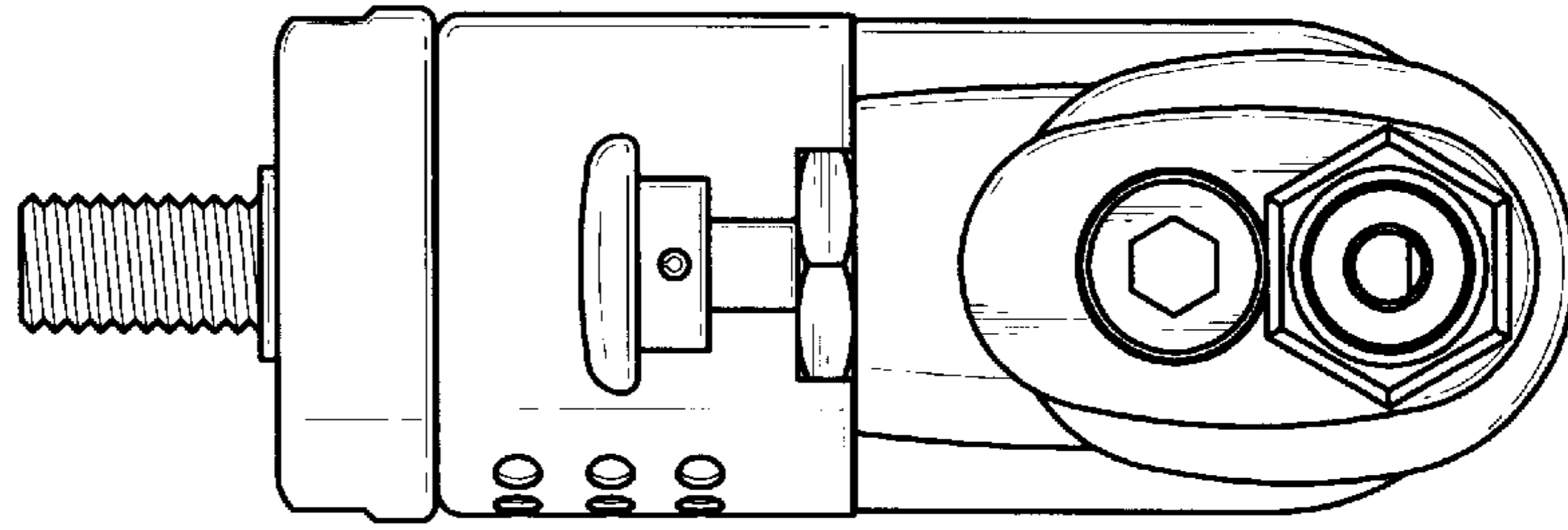


Fig. 5

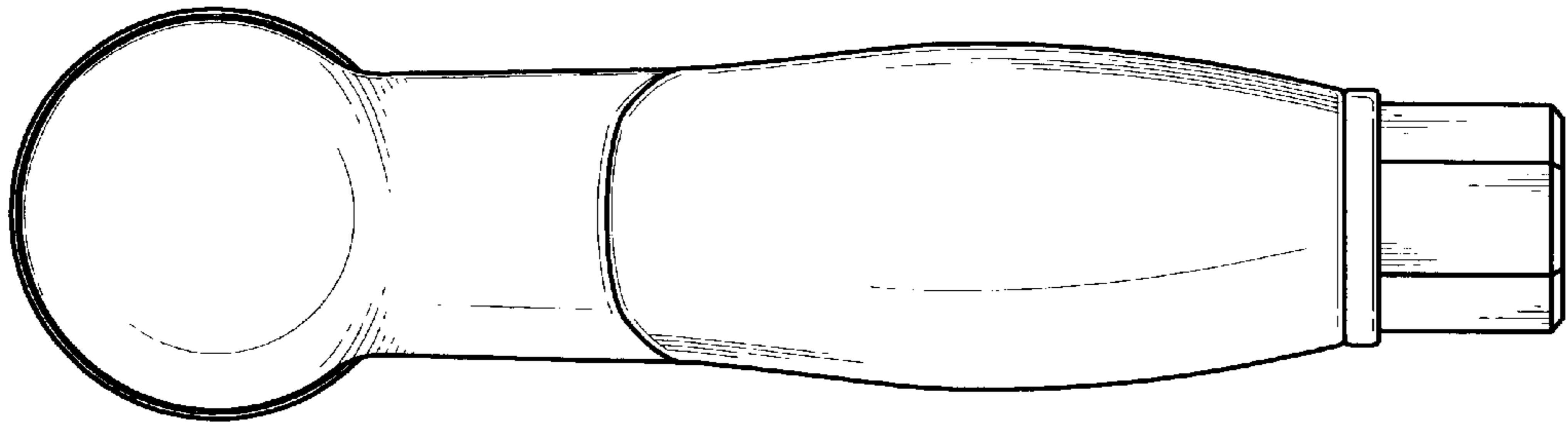


Fig. 7

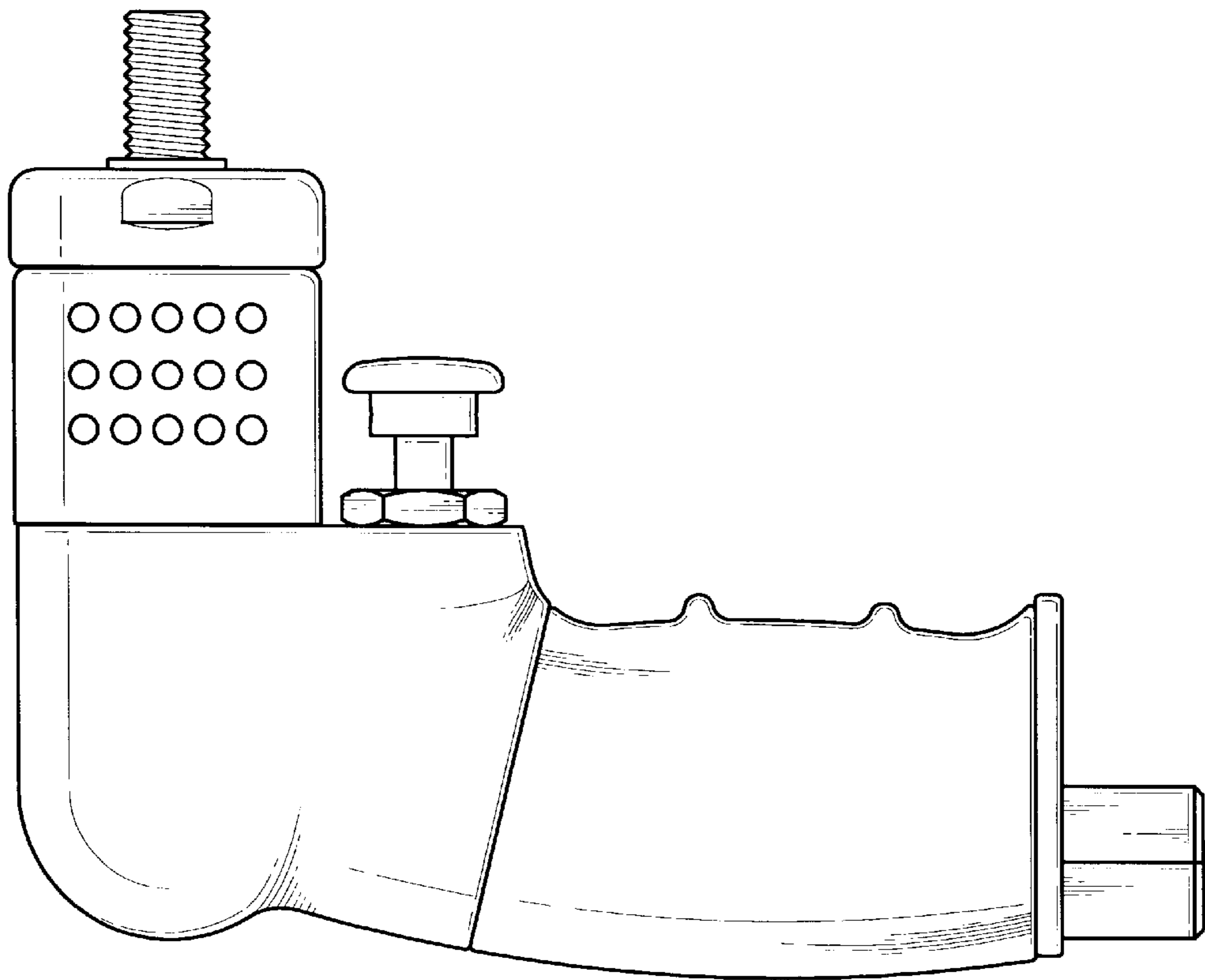


Fig. 6

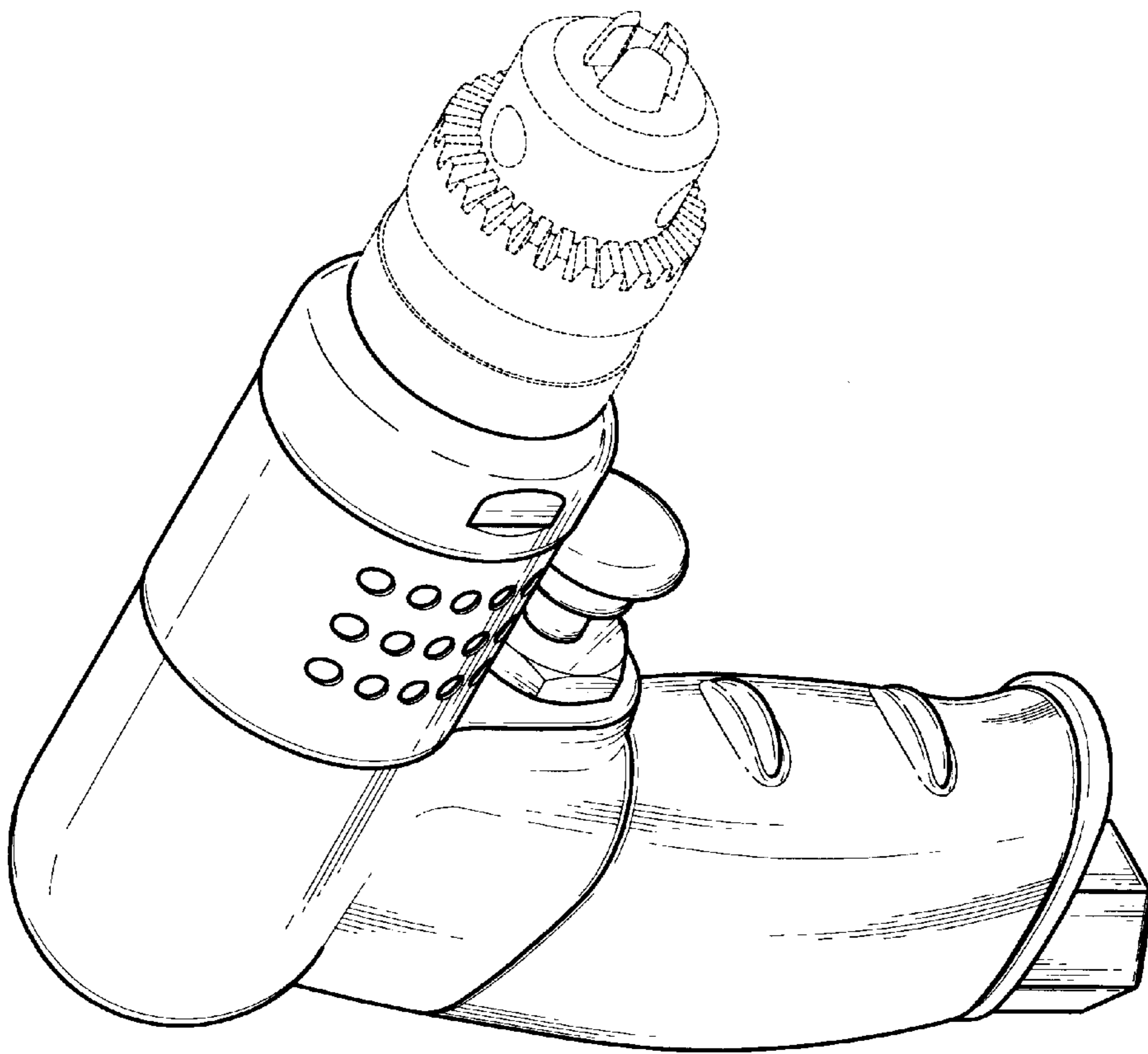


Fig. 8