



US00D476207S

(12) **United States Design Patent**  
**Saunders et al.**

(10) **Patent No.:** **US D476,207 S**

(45) **Date of Patent:** **\*\* Jun. 24, 2003**

(54) **CHISEL HANDLE**

6,125,227 A \* 9/2000 Cox ..... 385/134  
D445,959 S \* 7/2001 Ricci ..... D28/59

(75) Inventors: **Terry Saunders**, North Tower (CA);  
**Paul Beebe**, Upsala (CA); **Yeung Chan**, Millbrae, CA (US)

\* cited by examiner

*Primary Examiner*—Pamela Burgess  
(74) *Attorney, Agent, or Firm*—John S. Pratt; Kilpatrick Stockton LLP

(73) Assignee: **Lee Valley Tools, Ltd.**, Ottawa (CA)

(\*\*) Term: **14 Years**

(57) **CLAIM**

(21) Appl. No.: **29/161,768**

The ornamental design for a chisel handle, as shown and described.

(22) Filed: **Jun. 3, 2002**

**DESCRIPTION**

(51) **LOC (7) Cl.** ..... **08-06**

(52) **U.S. Cl.** ..... **D8/47; D28/59**

(58) **Field of Search** ..... D8/47, 14, 16,  
D8/90, 91, 94, 98, 80, 107; 15/236.01,  
167.1, 167.2; 30/167.1, 315; D32/48, 46,  
49; 16/110.1, 111.1; 132/73, 75.3, 75.6,  
76.2, 76.4, 76.5; D28/59, 57, 58

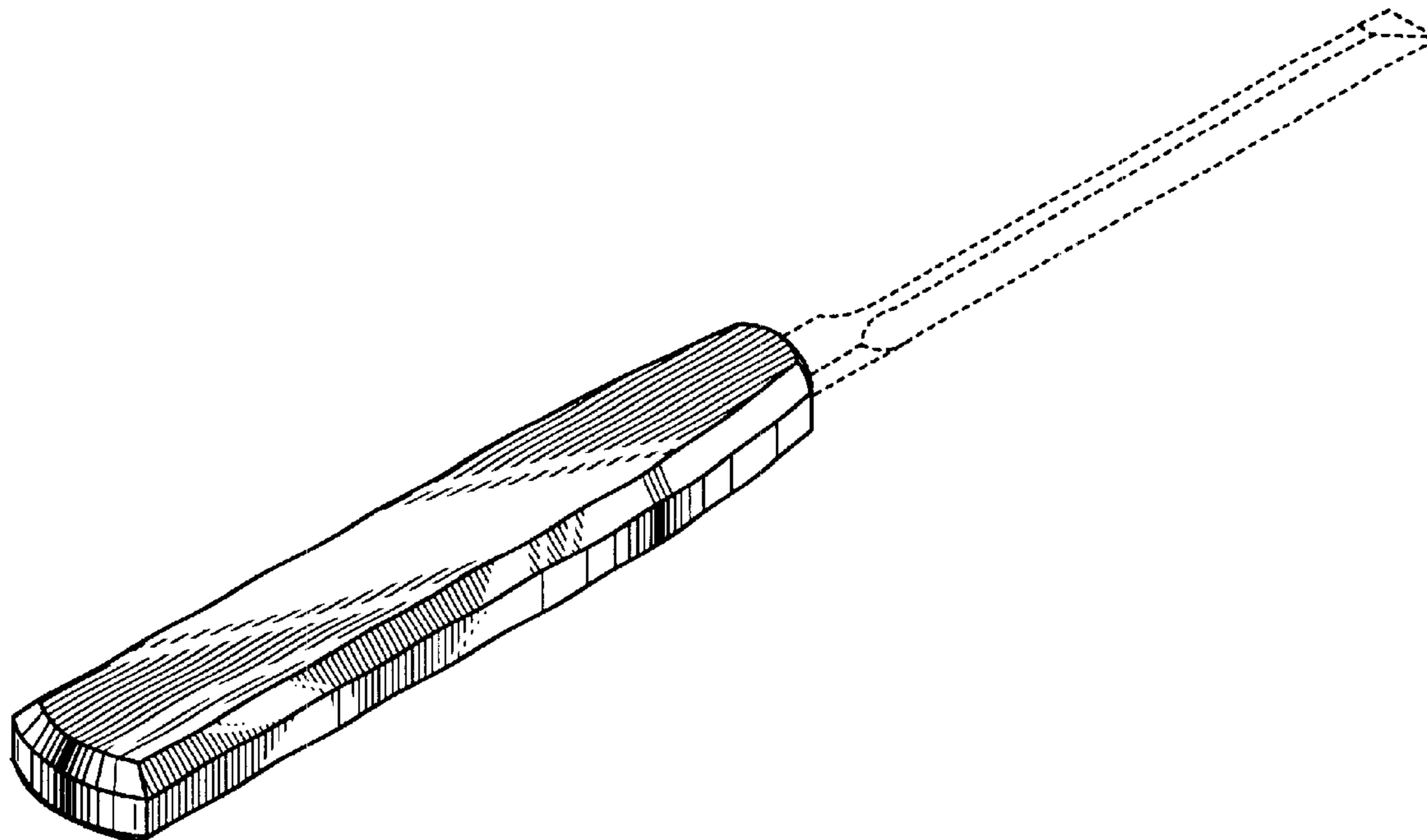
FIG. 1 is a top perspective view of a chisel handle showing our new design; the broken lines are for illustrative purposes only and form no part of the claimed design;  
FIG. 2 is a top plan view of the chisel handle shown in FIG. 1; the bottom plan view is identical.  
FIG. 3 is a right side view of the chisel handle of FIG. 1; of which the left side view is a mirror image.  
FIG. 4 is an orthogonal view of the end of the chisel handle shown in FIG. 1 opposite the handle end to which a chisel attaches; and,  
FIG. 5 is an orthogonal view of the end to which the chisel attaches of the chisel handle shown in FIG. 1.

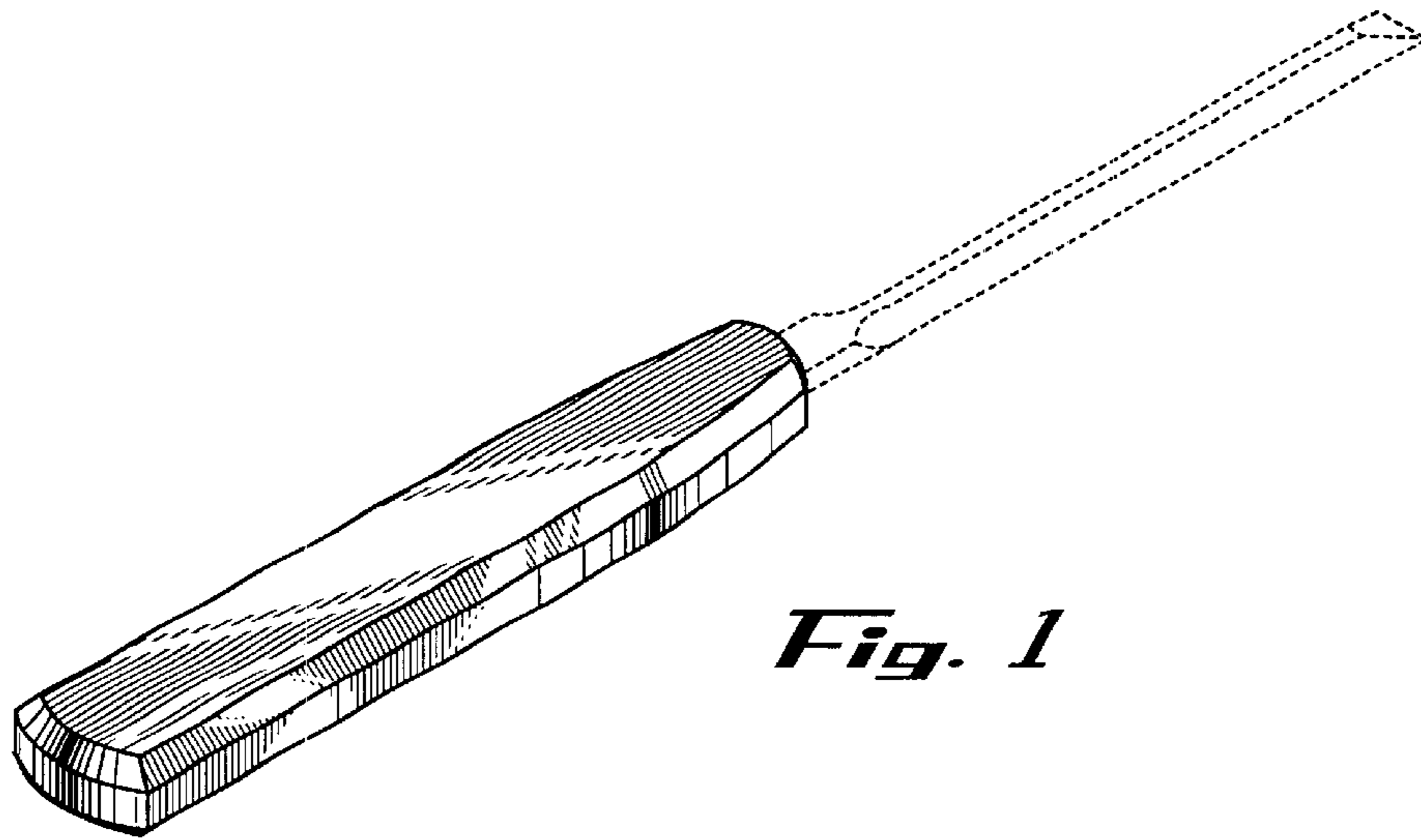
(56) **References Cited**

**U.S. PATENT DOCUMENTS**

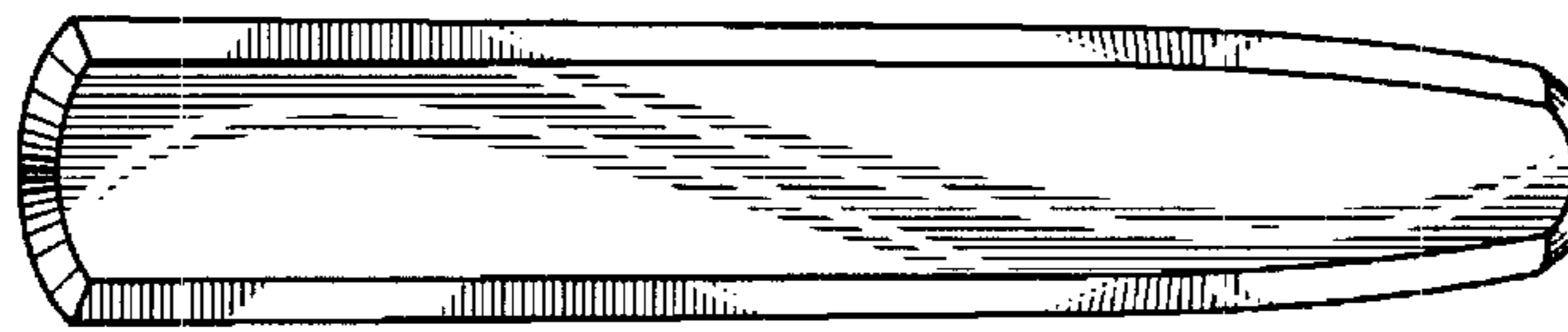
156,173 A \* 10/1874 Patterson ..... 424/629  
D271,149 S \* 10/1983 Castiglione ..... D32/48  
5,088,509 A \* 2/1992 Savage, III ..... 132/76.5

**1 Claim, 1 Drawing Sheet**





*Fig. 1*



*Fig. 2*



*Fig. 3*



*Fig. 4*



*Fig. 5*