



US00D476206S

(12) **United States Design Patent**  
**Kushner et al.**

(10) **Patent No.:** **US D476,206 S**

(45) **Date of Patent:** **\*\* Jun. 24, 2003**

(54) **CURVED LEVER CORK EXTRACTOR**

(76) Inventors: **Robert G. Kushner**, 245-251 Hennessy Road, Wan Chai (HK); **Richard Ho**, Bangkok Building, 18 Bonham Strand West, Sheung Wan (HK)

(\*\*) Term: **14 Years**

(21) Appl. No.: **29/148,642**

(22) Filed: **Sep. 22, 2001**

(51) **LOC (7) Cl.** ..... **07-99**

(52) **U.S. Cl.** ..... **D8/39; D8/42**

(58) **Field of Search** ..... D8/33-43, 308, D8/4, 5, 107, 52, 48; 30/400-443; 81/3.07-3.49; 7/151-156; D7/665, 666; D23/250, 252; D12/179, 180; 74/523, 480 R, 489, 502.2

(56) **References Cited**

**U.S. PATENT DOCUMENTS**

4,253,351 A	*	3/1981	Allen	.....	81/3.29
D408,697 S	*	4/1999	Bergen	.....	D8/42
D415,667 S	*	10/1999	de Bergen	.....	D8/42
D420,558 S	*	2/2000	Lee	.....	D8/39
D430,994 S	*	9/2000	Kilduff	.....	D8/39
D441,265 S	*	5/2001	Kilduff	.....	D8/39
D442,043 S	*	5/2001	Kao	.....	D8/39
D442,045 S	*	5/2001	Kilduff	.....	D8/39
D444,045 S	*	6/2001	Kay	.....	D8/39
D445,008 S	*	7/2001	Andina et al.	.....	D8/42

D446,098 S	*	8/2001	Kilduff	.....	D8/39
D446,702 S	*	8/2001	Kilduff	.....	D8/39
6,357,322 B1	*	3/2002	Dolan et al.	.....	81/3.37
D455,058 S	*	4/2002	Stirling	.....	D8/39

**OTHER PUBLICATIONS**

www.winetimegiftstore.com, 2 pgs., Jan. 9, 2002, lever model lx and lever model 2000.\*  
Summer 1997 Chef's Catalog, dated May 5, 1997, p. 76, Leverpull LX profesional model.\*

\* cited by examiner

*Primary Examiner*—Jeffrey Asch

(74) *Attorney, Agent, or Firm*—Paul J. Sutton

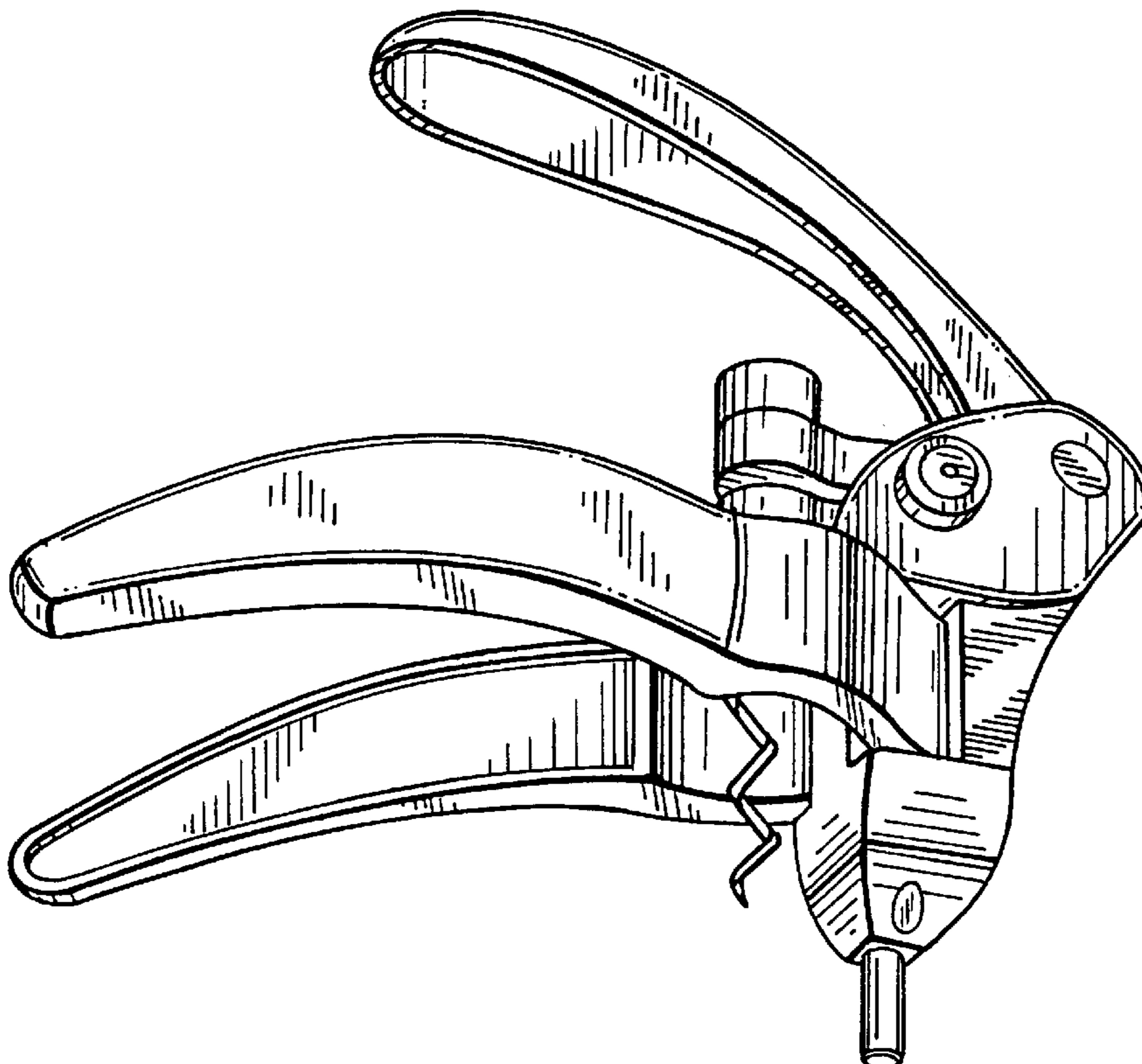
(57) **CLAIM**

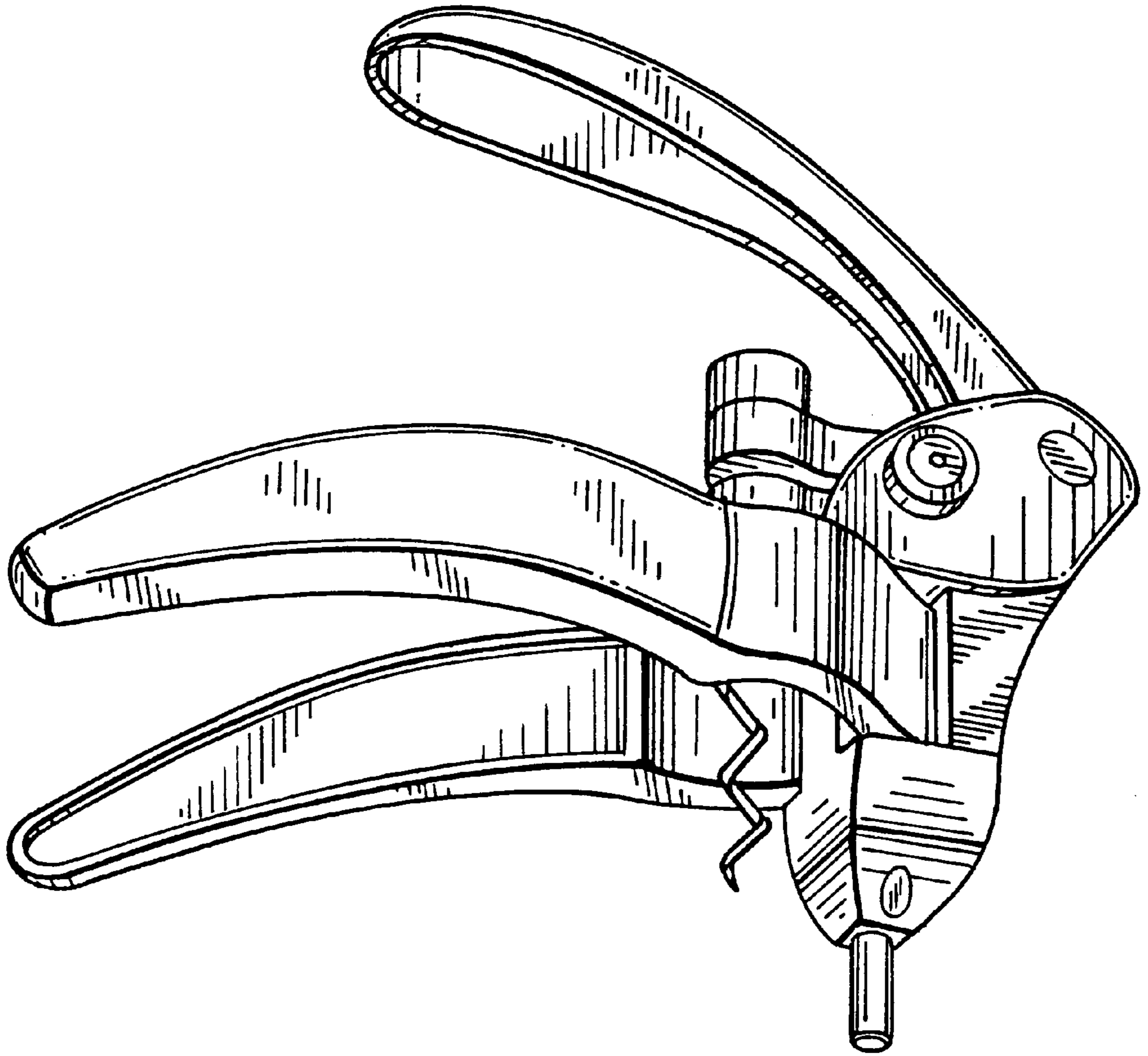
The ornamental design for a curved lever cork extractor, as shown and described.

**DESCRIPTION**

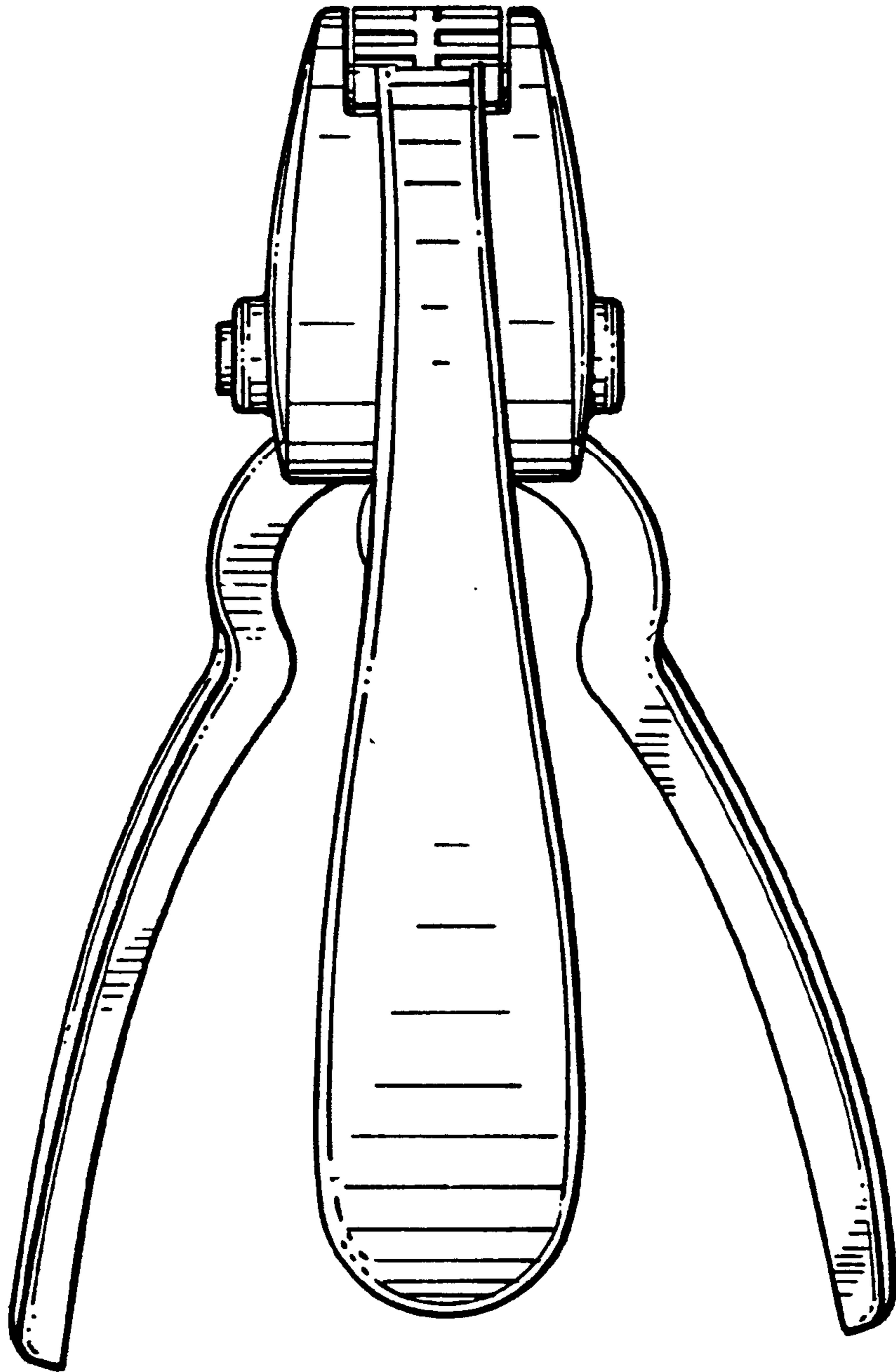
FIG. 1 is a perspective view of a curved lever cork extractor illustrating our new design in a slightly raised condition; FIG. 2 is a top plan view thereof; FIG. 3 is a right elevational view thereof, the left elevational view being a mirror image thereof; FIG. 4 is a front elevational view thereof; FIG. 5 is a rear plan view thereof; and, FIG. 6 is a bottom plan view thereof.

**1 Claim, 6 Drawing Sheets**

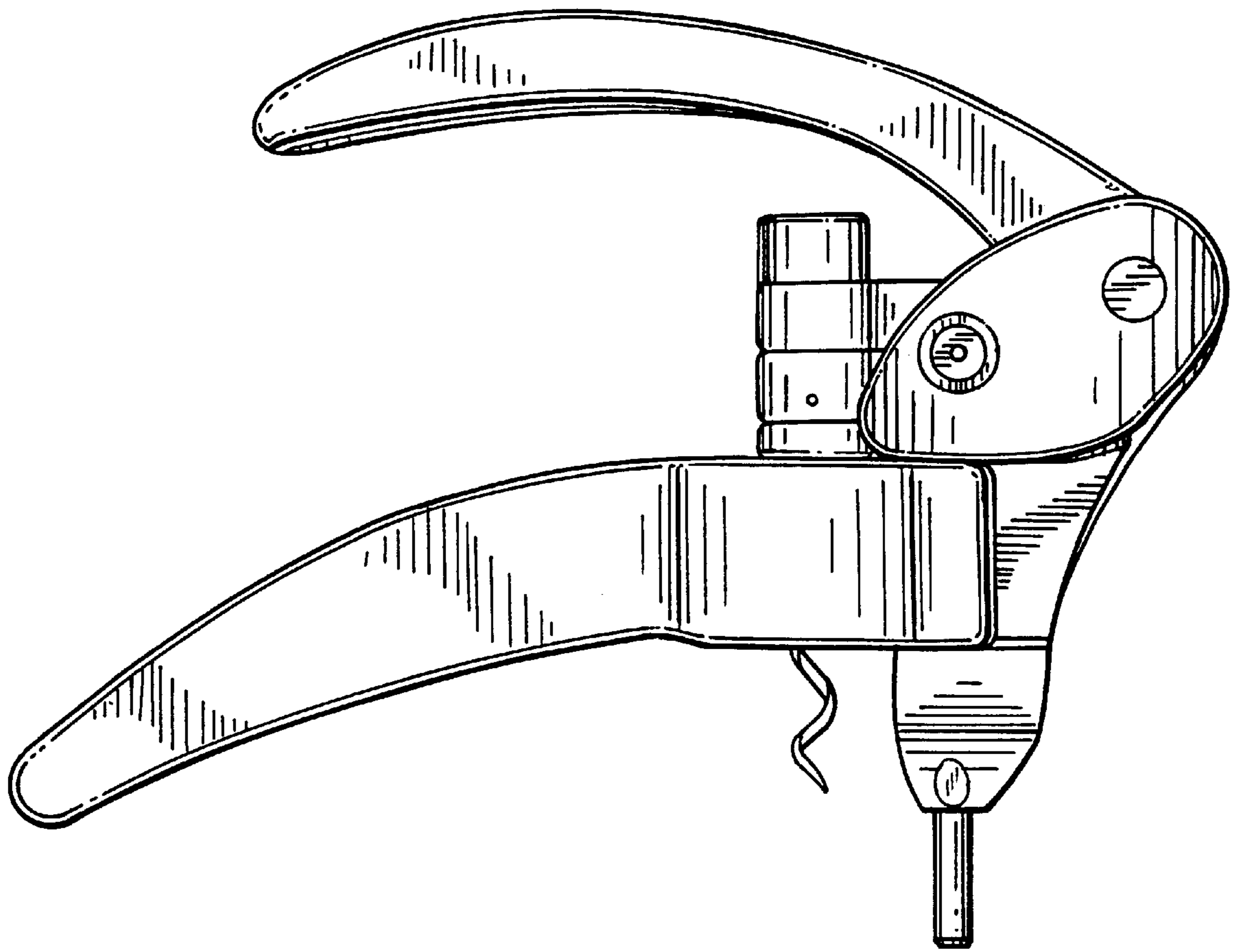




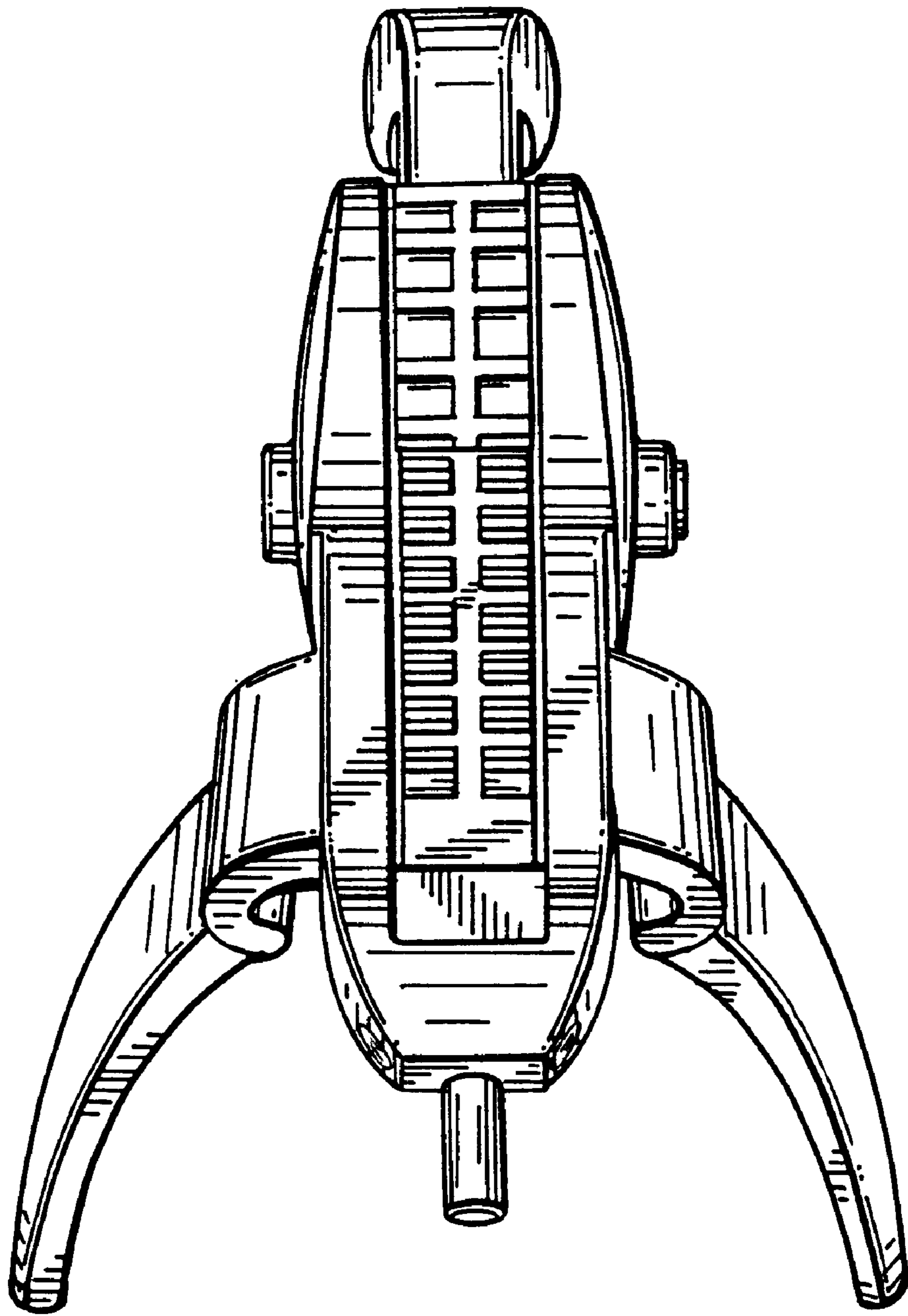
*FIG. 1*



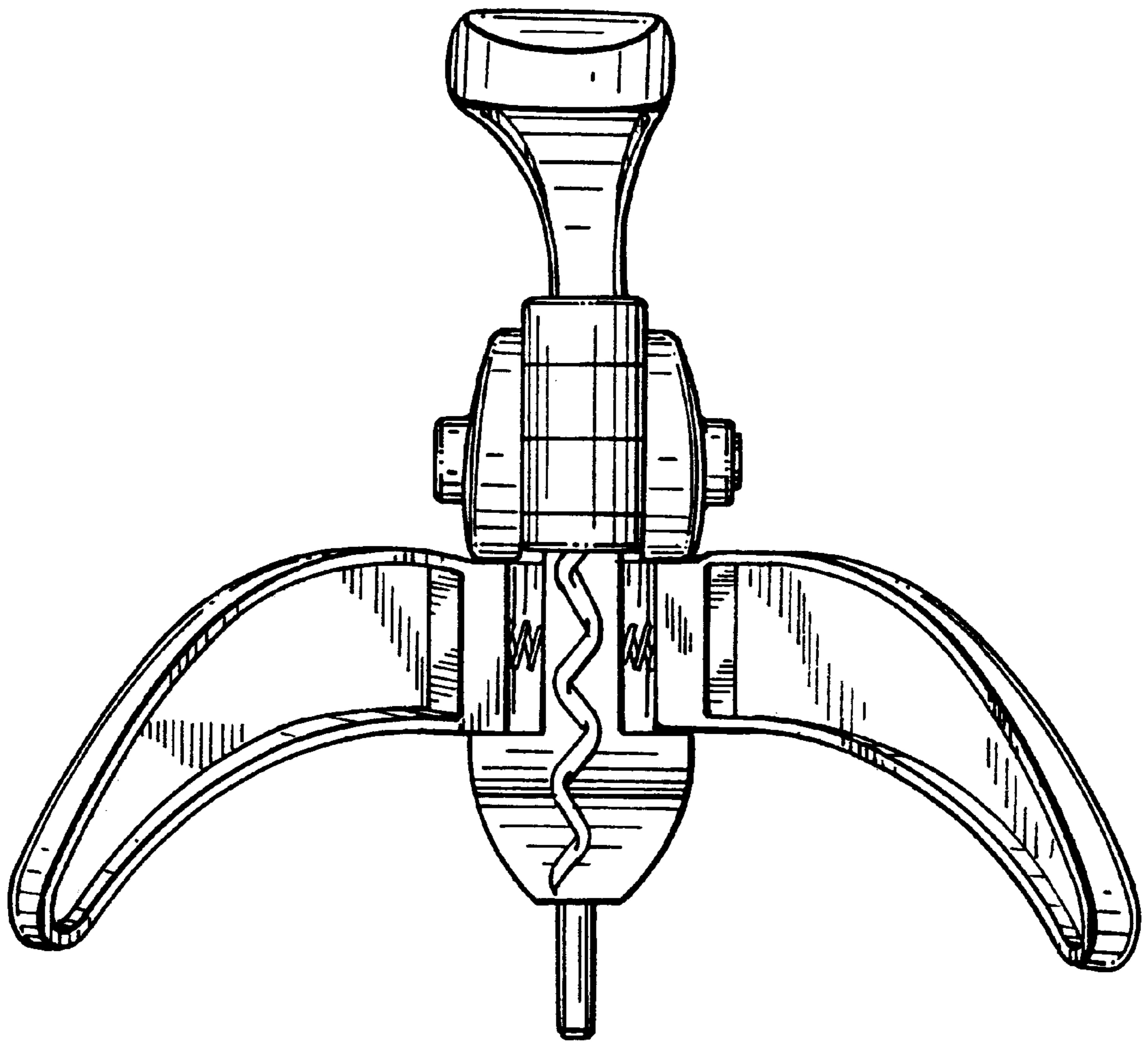
*FIG. 2*



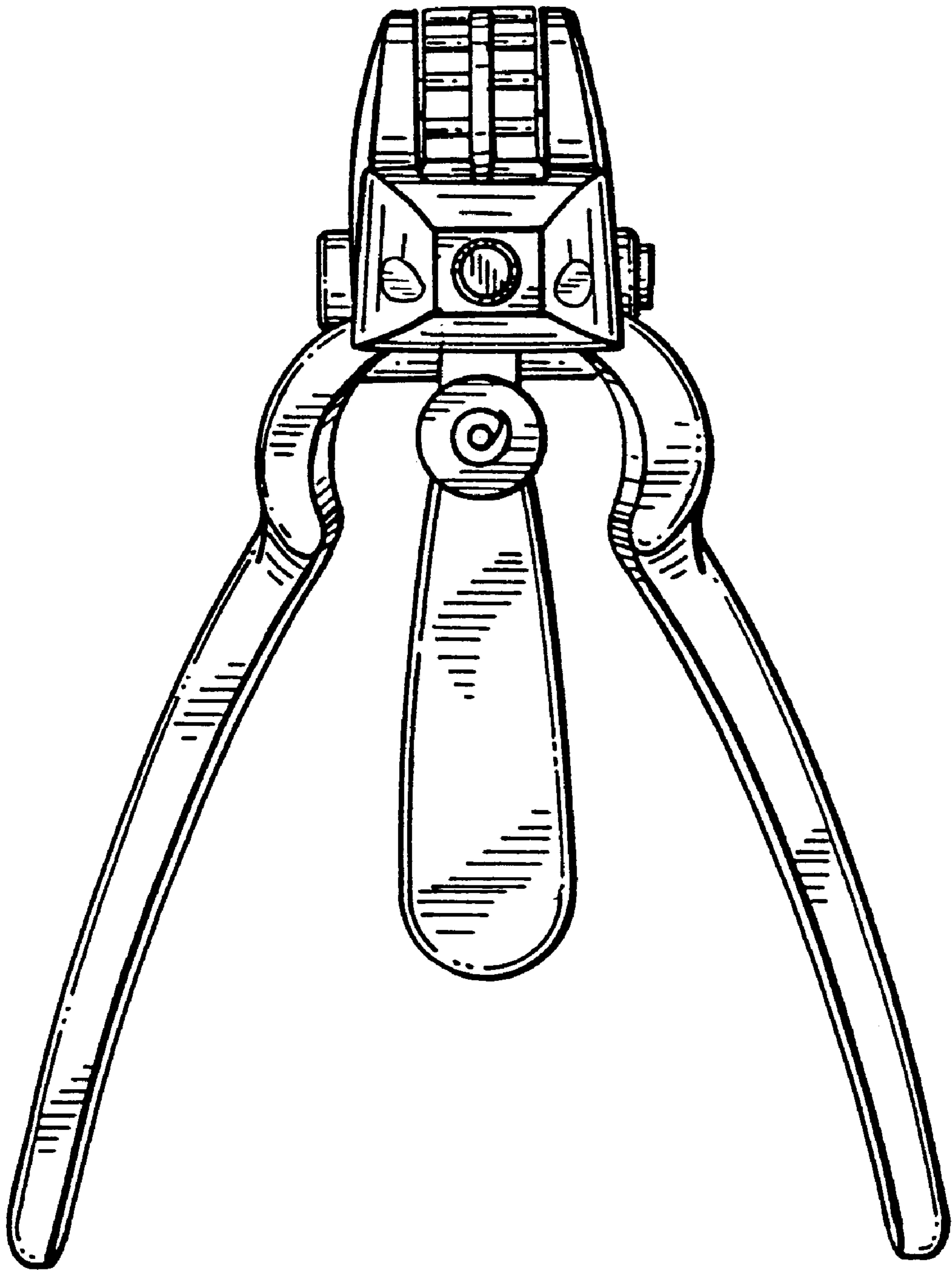
*FIG. 3*



*FIG. 4*



*FIG. 5*



*FIG. 6*