



US00D476200S

(12) **United States Design Patent**  
**Van Wambeke et al.**

(10) **Patent No.:** **US D476,200 S**

(45) **Date of Patent:** **\*\* Jun. 24, 2003**

(54) **VEGETATION TRIMMER WITH CURVED NECK**

(75) **Inventors:** **Weston J. Van Wambeke**,  
Cockeysville, MD (US); **Sean David Wilkinson**,  
Brockville (CA); **Marta J. Acuña**,  
Baltimore, MD (US); **David S. Strong**,  
Battersea (CA)

(73) **Assignee:** **Black & Decker Inc.**,  
Newark, DE (US)

(\*\*) **Term:** **14 Years**

(21) **Appl. No.:** **29/161,797**

(22) **Filed:** **Jun. 4, 2002**

(51) **LOC (7) Cl.** ..... **08-01**

(52) **U.S. Cl.** ..... **D8/8**

(58) **Field of Search** ..... D8/8, 107; 56/12.7,  
56/12.1; 30/276; 172/13, 14, 16; 16/408,  
110.1, 430, 431, 436; D4/138; D32/50,  
51; 294/57, 59, 19.1; 15/143, 143.1, 144.1-144.4

(56) **References Cited**

**U.S. PATENT DOCUMENTS**

D251,699 S	5/1979	Averitt	
4,188,719 A	2/1980	Hoff	
4,651,422 A	3/1987	Everts	
4,809,388 A *	3/1989	Dietrich	15/143.1
D301,009 S	5/1989	Pilatowicz et al.	
4,860,451 A	8/1989	Pilatowicz et al.	
D305,198 S	12/1989	White et al.	
D307,860 S	5/1990	Ellis	
D317,852 S	7/1991	Fujiwara et al.	
D320,398 S	10/1991	Clivio	
5,181,369 A	1/1993	Everts	
D343,554 S	1/1994	Watanabe et al.	
5,276,969 A *	1/1994	Luick	30/276

D349,220 S	8/1994	Griffin	
D349,221 S	8/1994	Griffin	
D354,892 S	1/1995	Griffin	
D359,605 S *	6/1995	Janikowski	D32/51
D361,701 S	8/1995	Pink	
D367,595 S	3/1996	Dahlberg et al.	
D368,005 S	3/1996	Lemcke	
D369,071 S	4/1996	Tuggle et al.	
D382,450 S	8/1997	Meisner et al.	
D382,779 S	8/1997	Meisner et al.	
D382,780 S	8/1997	Meisner et al.	
5,867,911 A	2/1999	Yates et al.	
5,920,944 A *	7/1999	Biggs et al.	15/144.4
D417,320 S *	11/1999	Nunez	D30/162
5,984,393 A *	11/1999	Washington	294/53.5
D417,371 S	12/1999	Searle et al.	
6,324,764 B1 *	12/2001	Watkins	30/270

\* cited by examiner

*Primary Examiner*—Pamela Burgess

(74) *Attorney, Agent, or Firm*—Harness, Dickey & Pierce, P.L.C.

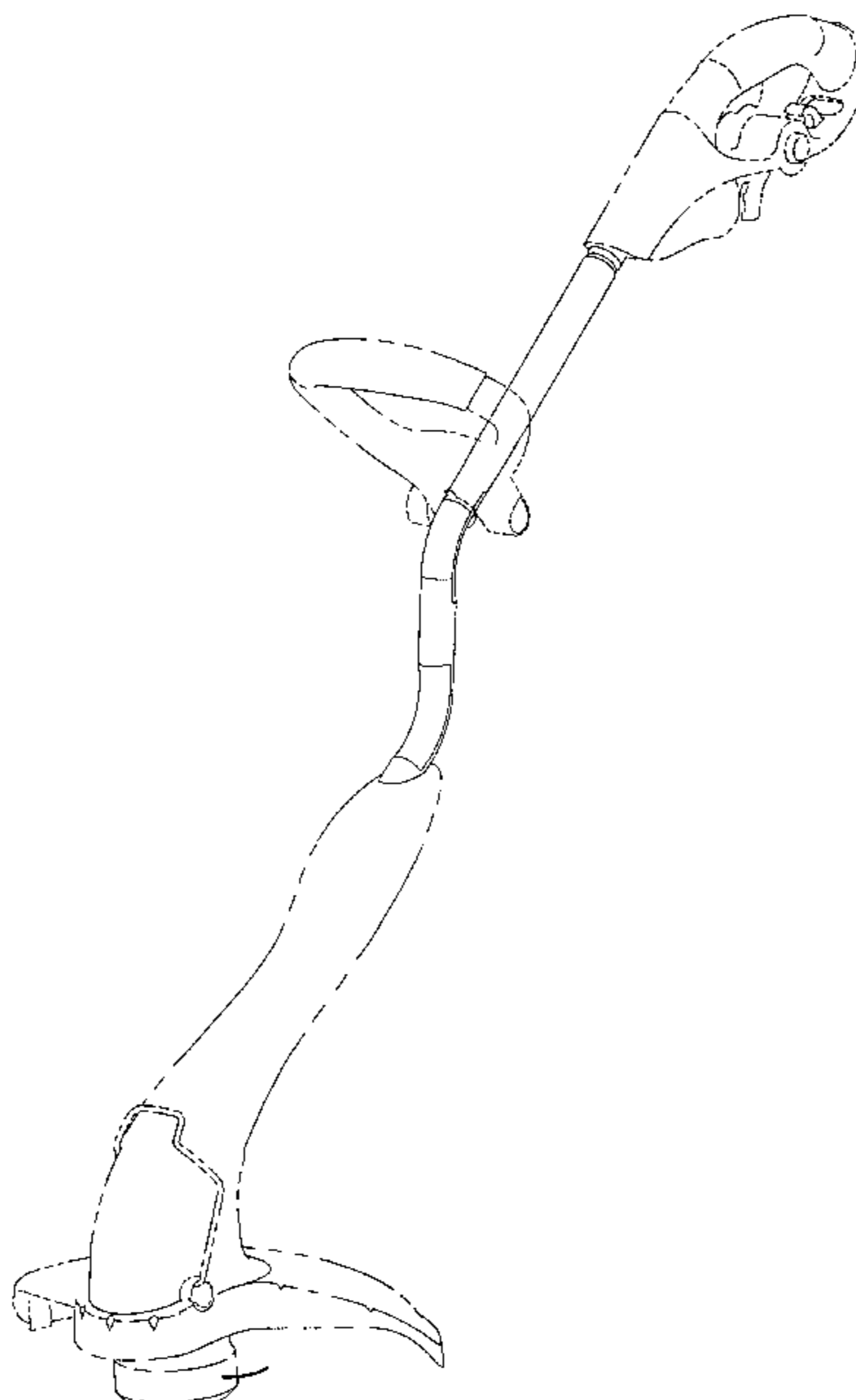
(57) **CLAIM**

The ornamental design for a vegetation trimmer with curved neck, as shown and described.

**DESCRIPTION**

FIG. 1 is a perspective view of a vegetation trimmer with curved neck showing our new design; FIG. 2 is a right side elevational view thereof; FIG. 3 is a rear elevational view thereof; and, FIG. 4 is a top plan view thereof. A bottom view of the neck has not been presented because the neck is normally not viewed in this orientation. The broken lines shown in all drawings are for illustrative purposes only and form no part of the claimed design.

**1 Claim, 2 Drawing Sheets**



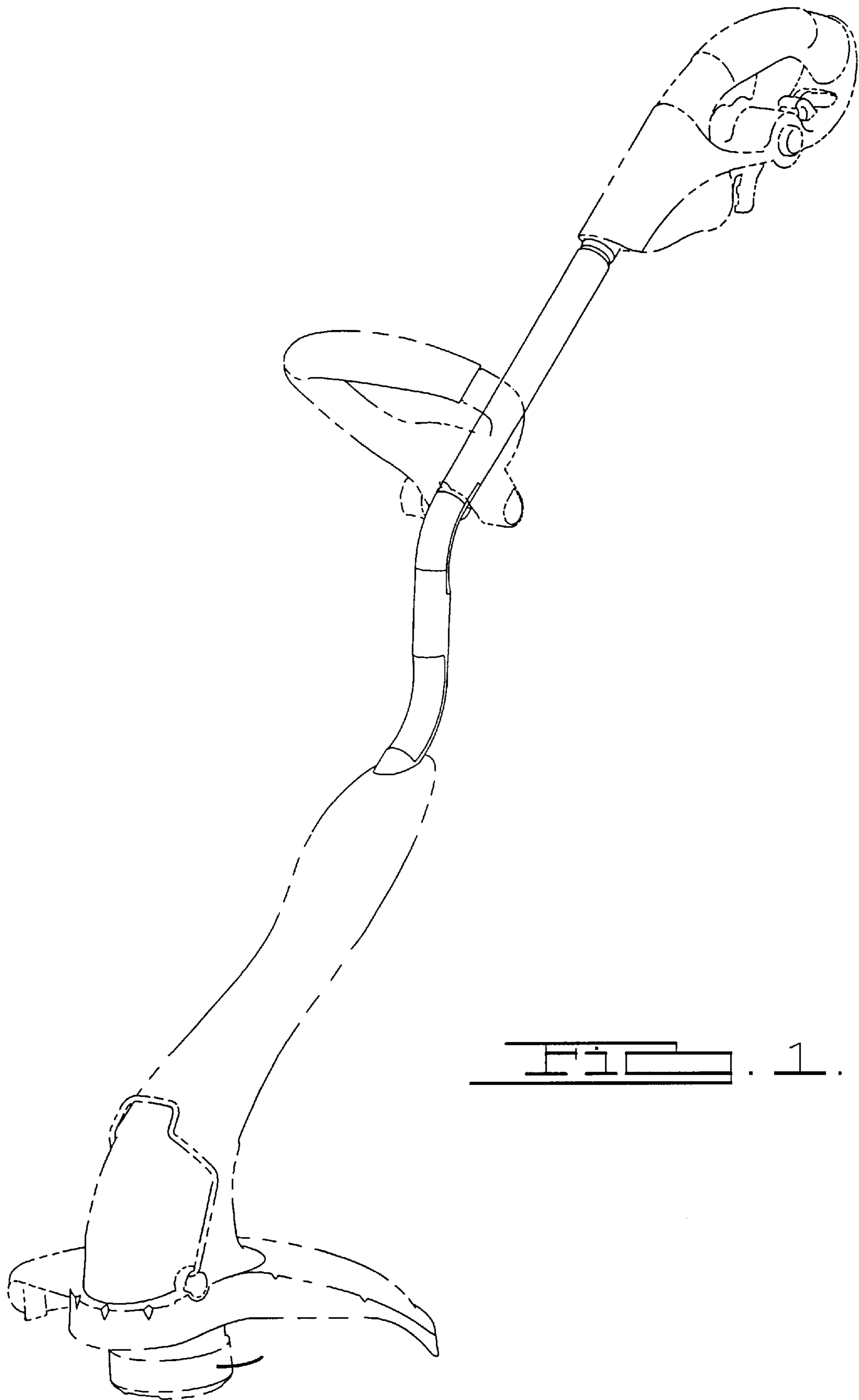


FIG. 1.

