



US00D476190S

(12) **United States Design Patent**
Chen

(10) **Patent No.:** **US D476,190 S**

(45) **Date of Patent:** **** Jun. 24, 2003**

(54) **ROASTER OVEN**

(76) Inventor: **Ying-Fu Chen**, No. 13, Kai Fa 2nd Road, Jen Teh Hsiang, Tainan Hsien (TW)

(**) Term: **14 Years**

(21) Appl. No.: **29/142,885**

(22) Filed: **Jun. 4, 2001**

(51) **LOC (7) Cl.** **07-02**

(52) **U.S. Cl.** **D7/347**

(58) **Field of Search** D7/347, 338, 339, D7/350.1, 350.4, 348, 390, 362, 354, 360, 366, 402; 99/339, 346, 340, 421 H, 427; 219/400

(56) **References Cited**

U.S. PATENT DOCUMENTS

- D381,861 S * 8/1997 Rorke et al. D7/350
- D385,456 S * 10/1997 Wang D7/350
- D434,939 S * 12/2000 To D7/350
- 6,186,054 B1 * 2/2001 Hung 99/339

- D439,467 S * 3/2001 Hsu D7/350
- D444,992 S * 7/2001 Brady et al. D7/350
- 6,257,128 B1 * 7/2001 Chen 99/421 H

* cited by examiner

Primary Examiner—Ted Shooman

Assistant Examiner—Daniel Bui

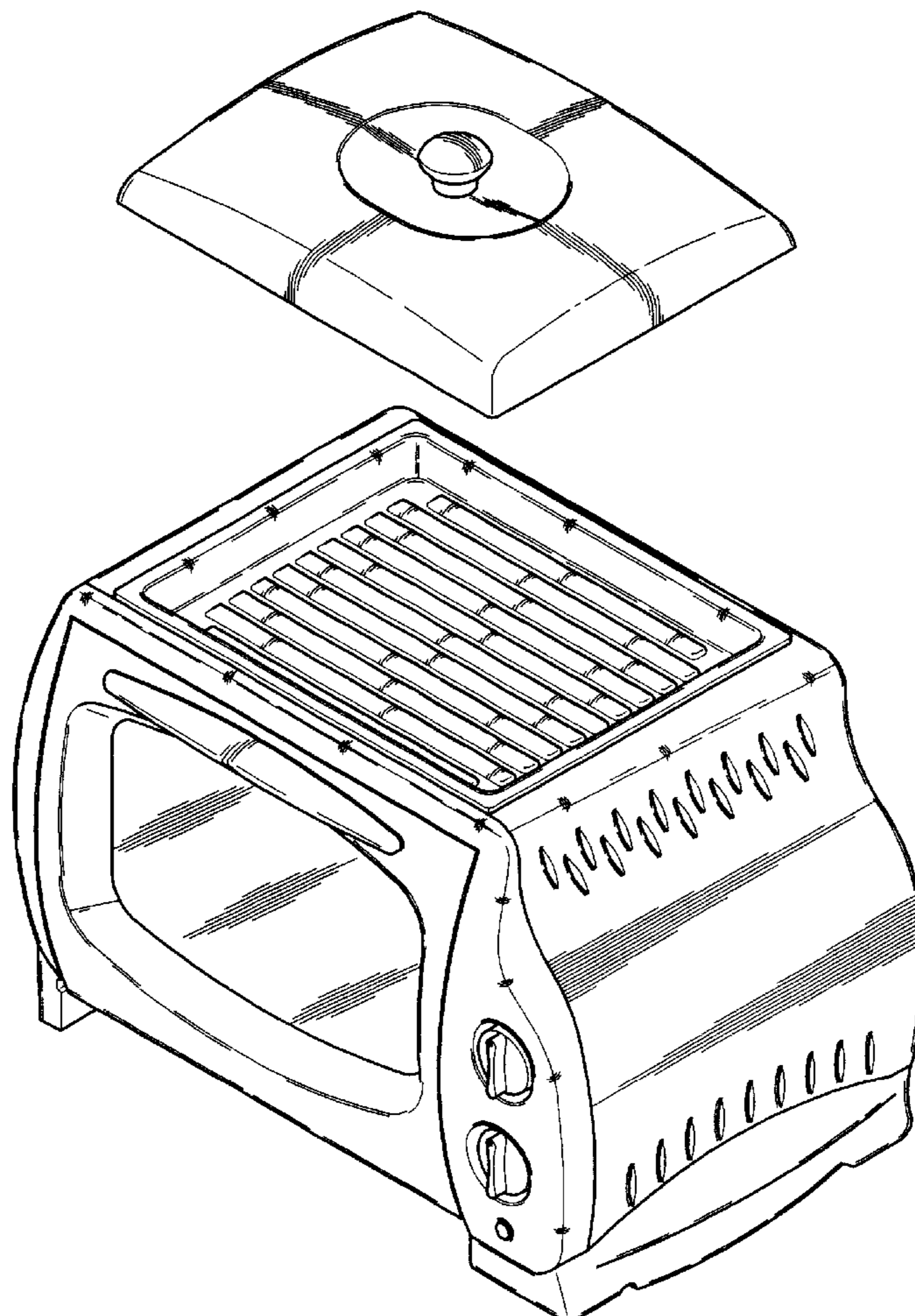
(57) **CLAIM**

The ornamental design for a roaster oven, as shown and described.

DESCRIPTION

FIG. 1 is a perspective view of a roaster oven showing my new design;
 FIG. 2 is a right side elevational view thereof;
 FIG. 3 is a top plan view thereof;
 FIG. 4 is a front elevational view thereof;
 FIG. 5 is a bottom plan view thereof;
 FIG. 6 is a left side elevational view thereof; and,
 FIG. 7 is a rear elevational view thereof; and,
 FIG. 8 is a perspective view of a roaster oven with the cap opened.

1 Claim, 5 Drawing Sheets



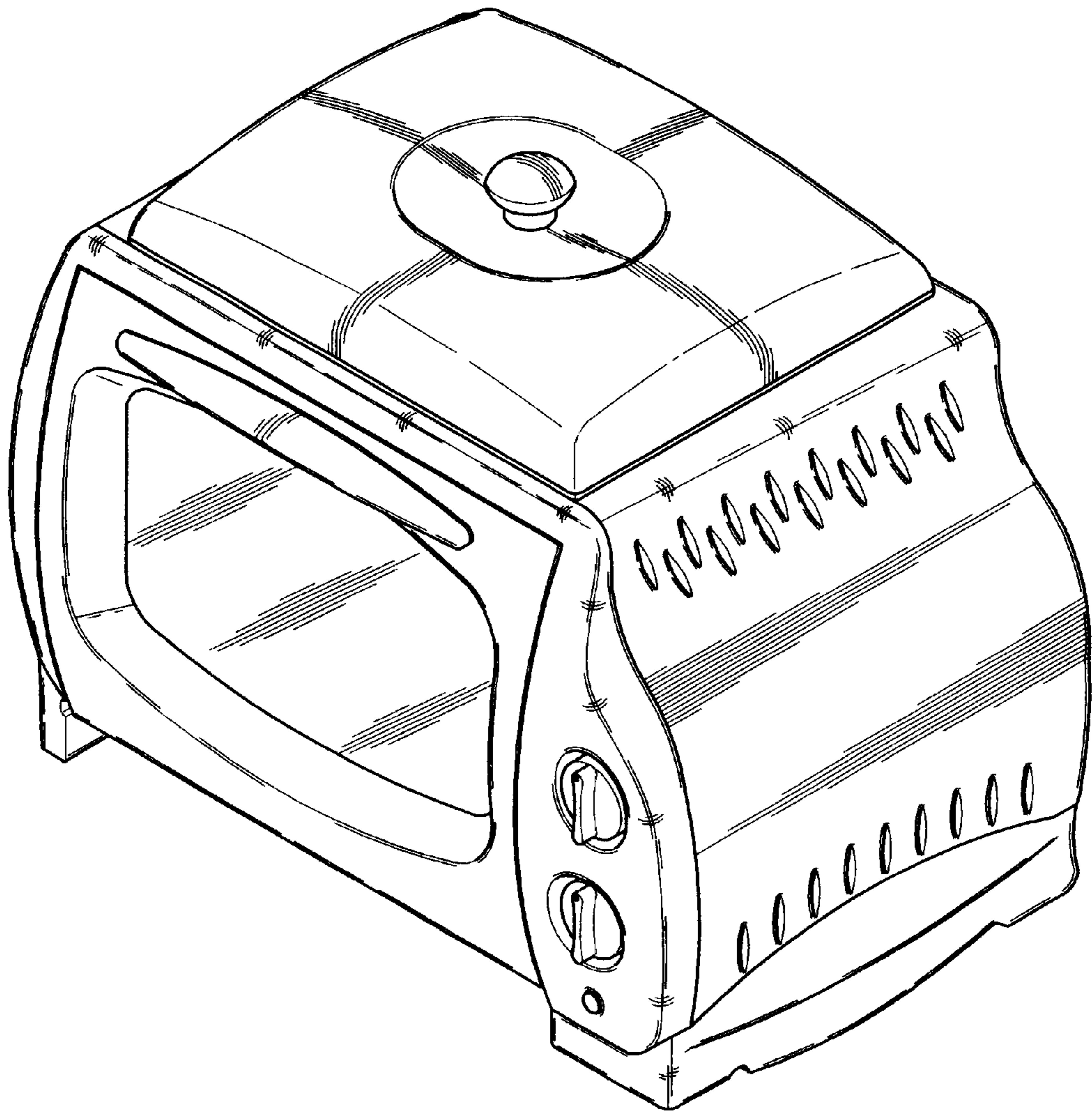


FIG. 1

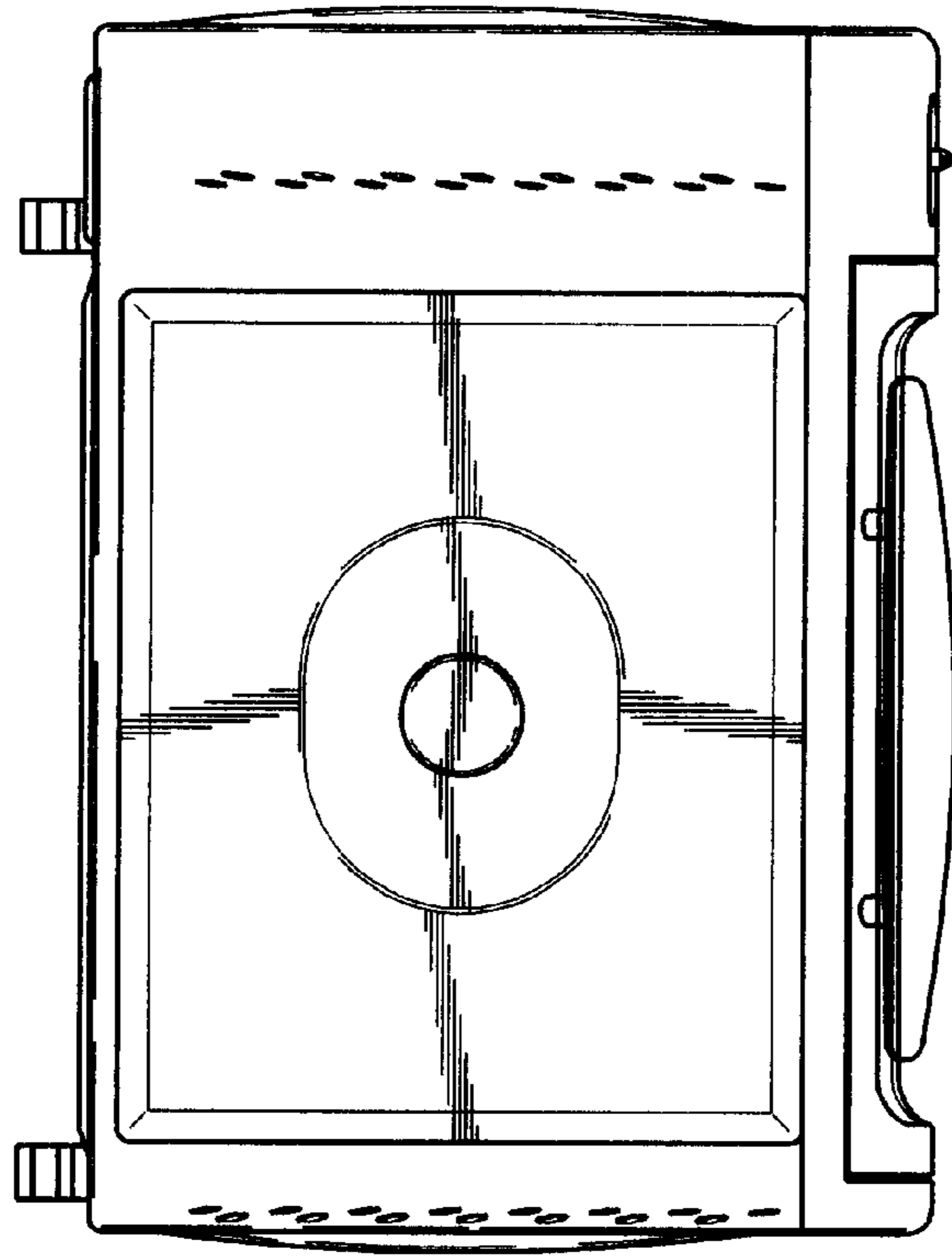


FIG. 3

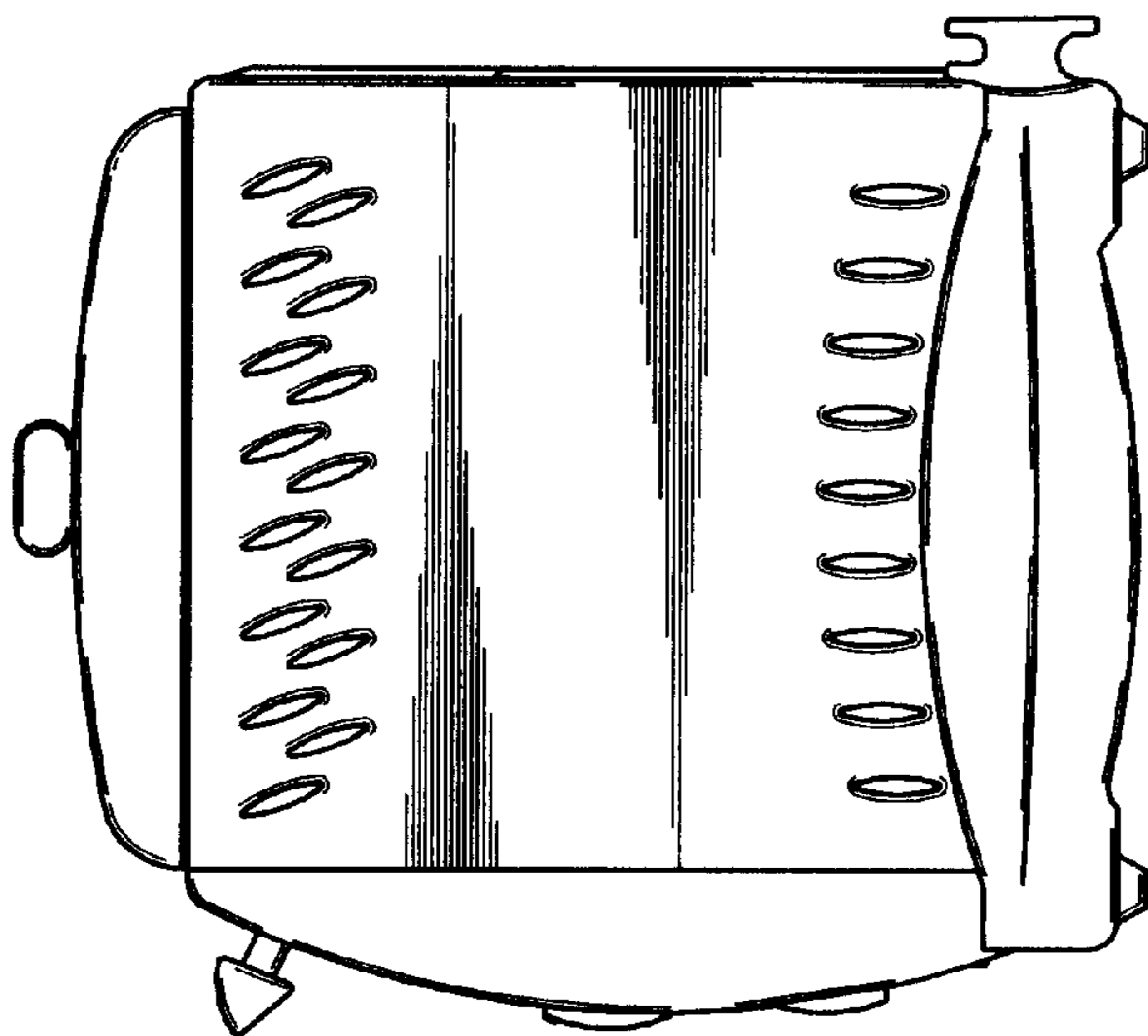


FIG. 2

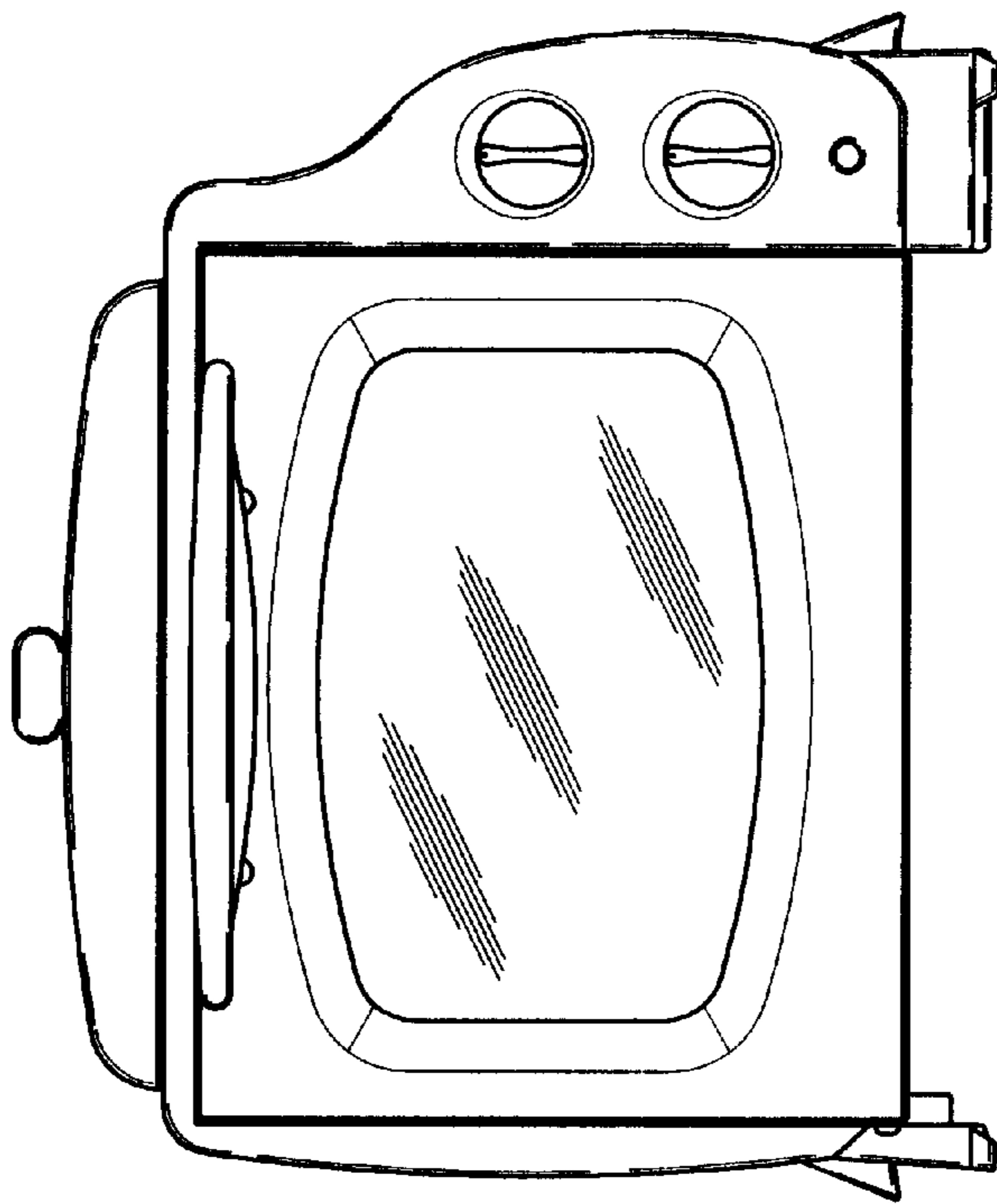


FIG. 4

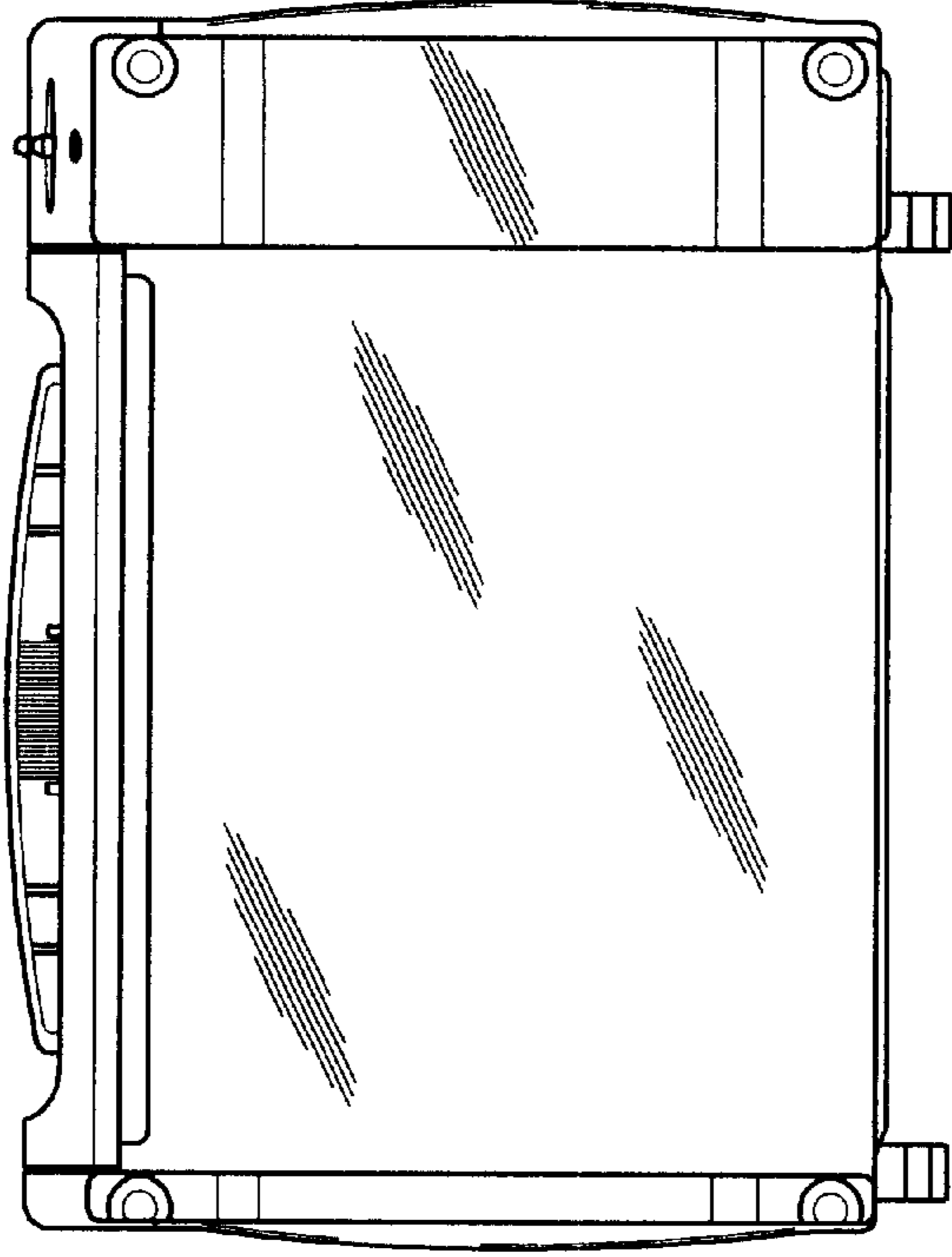


FIG. 5

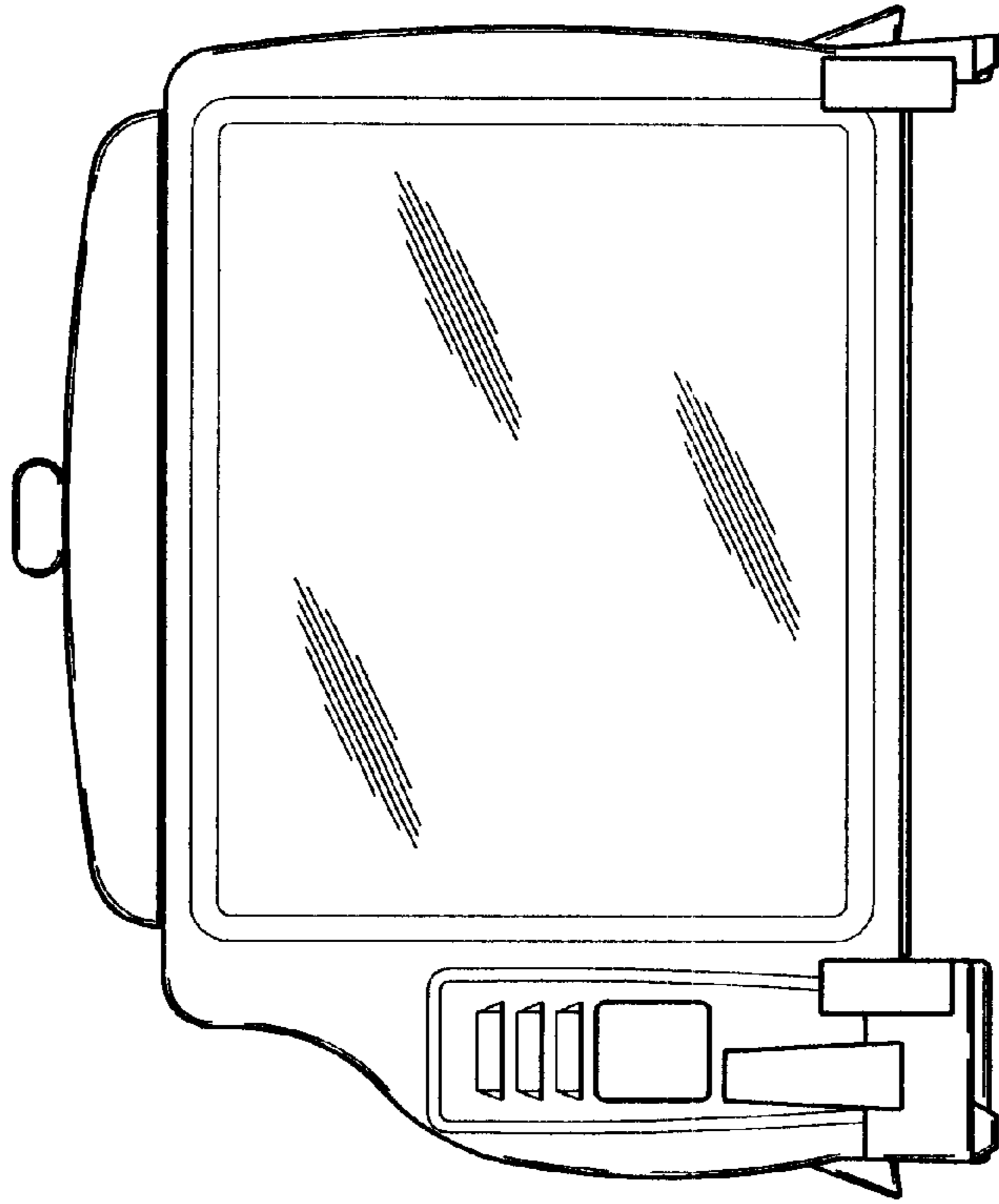


FIG. 7

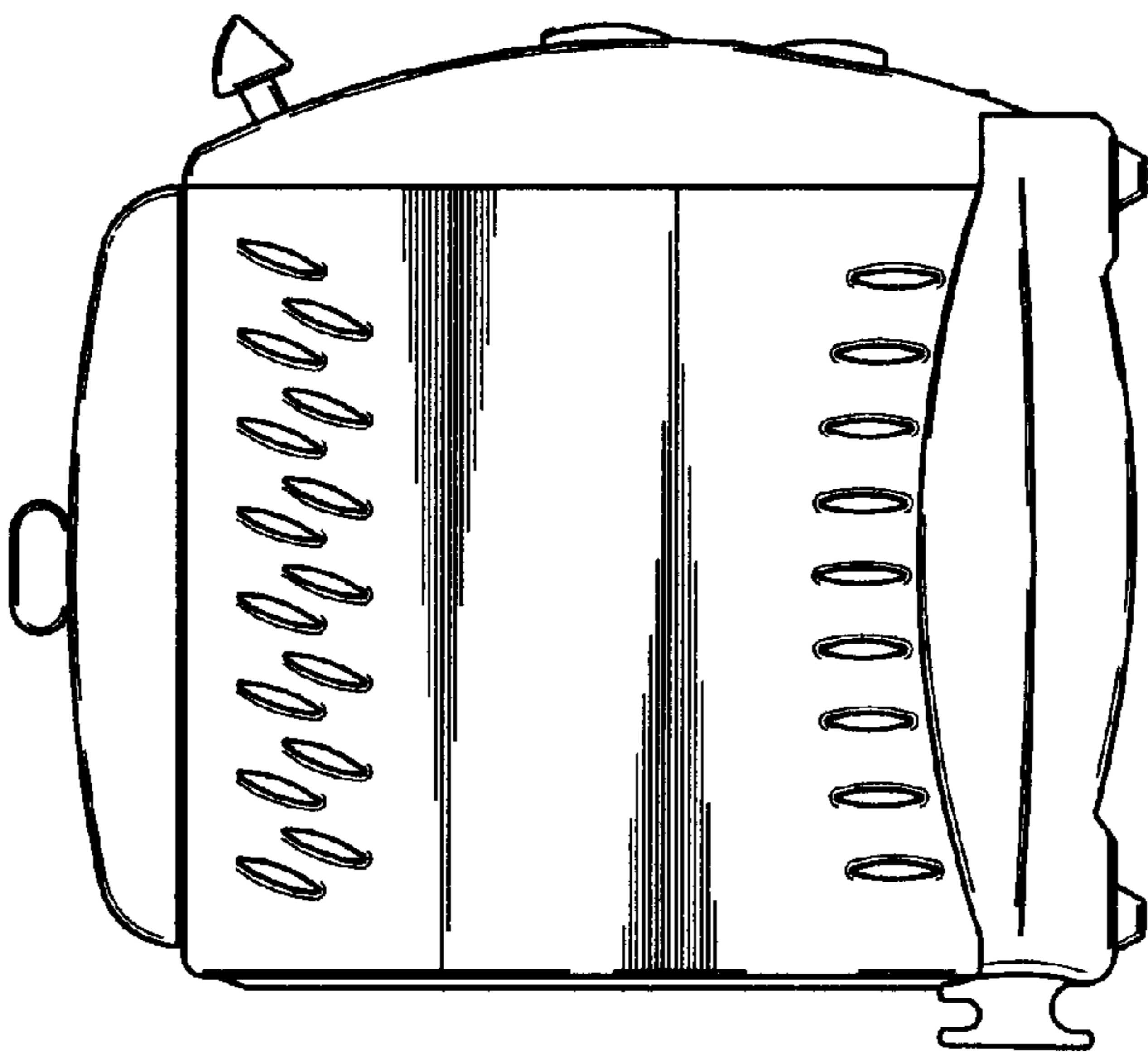


FIG. 6

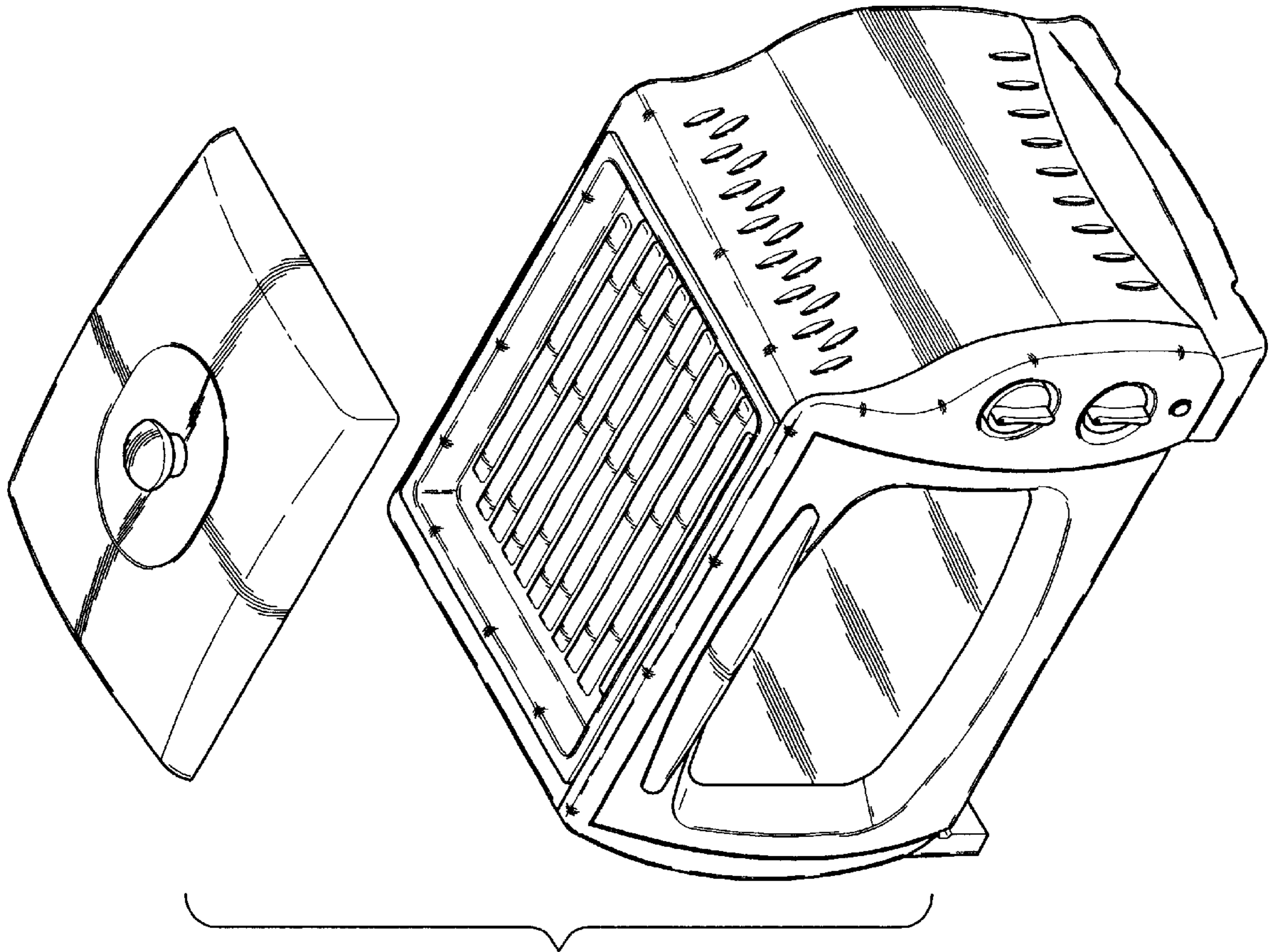


FIG. 8