



US00D476189S

(12) **United States Design Patent**
Bossler

(10) **Patent No.:** **US D476,189 S**

(45) **Date of Patent:** **** Jun. 24, 2003**

(54) **OVAL BARBECUE GRILL IN A CART**

(75) **Inventor:** **Martin C. Bossler**, Spring Grove, IL (US)

(73) **Assignee:** **Uniflame Corporation**, Zion, IL (US)

(**) **Term:** **14 Years**

(21) **Appl. No.:** **29/146,539**

(22) **Filed:** **Aug. 10, 2001**

(51) **LOC (7) Cl.** **07-02**

(52) **U.S. Cl.** **D7/334**

(58) **Field of Search** D7/332, 334-337,
D7/402-404; 126/25 R, 25 A, 25 AA, 9 R,
9 B, 29-30, 41 R; 99/421 R, 444

(56) **References Cited**

U.S. PATENT DOCUMENTS

2,641,243 A	6/1953	Goss	
D172,797 S	* 8/1954	Long D7/334
2,787,995 A	* 4/1957	Alter 126/25 R
3,330,266 A	7/1967	Stephen	
5,016,607 A	5/1991	Doolittle et al.	
D322,909 S	1/1992	Parent et al.	
D325,315 S	4/1992	Parent et al.	
D325,316 S	4/1992	Parent et al.	
D325,318 S	4/1992	Parent et al.	
D327,805 S	7/1992	Parent et al.	
5,165,385 A	11/1992	Doolittle et al.	
D351,308 S	* 10/1994	Pai D7/334
D358,059 S	* 5/1995	Peterson et al. D7/334
D361,466 S	* 8/1995	Peterson et al. D7/334
D373,701 S	* 9/1996	Moore D7/334

5,582,094 A	12/1996	Peterson et al.	
D395,979 S	* 7/1998	Picozza et al. D7/334
D412,086 S	7/1999	Bossler	
D415,653 S	10/1999	Schlosser et al.	
D435,387 S	12/2000	Pai	
D439,109 S	* 3/2001	Pai D7/402
D450,525 S	* 11/2001	Giebel et al. D7/334

OTHER PUBLICATIONS

In re Weber-Stephen Products Co.; 3 USPQ2d (TTAB 1987) PP. 1660-1670.

* cited by examiner

Primary Examiner—Ruth McInroy

(74) *Attorney, Agent, or Firm*—Greer, Burns & Crain, Ltd.

(57) **CLAIM**

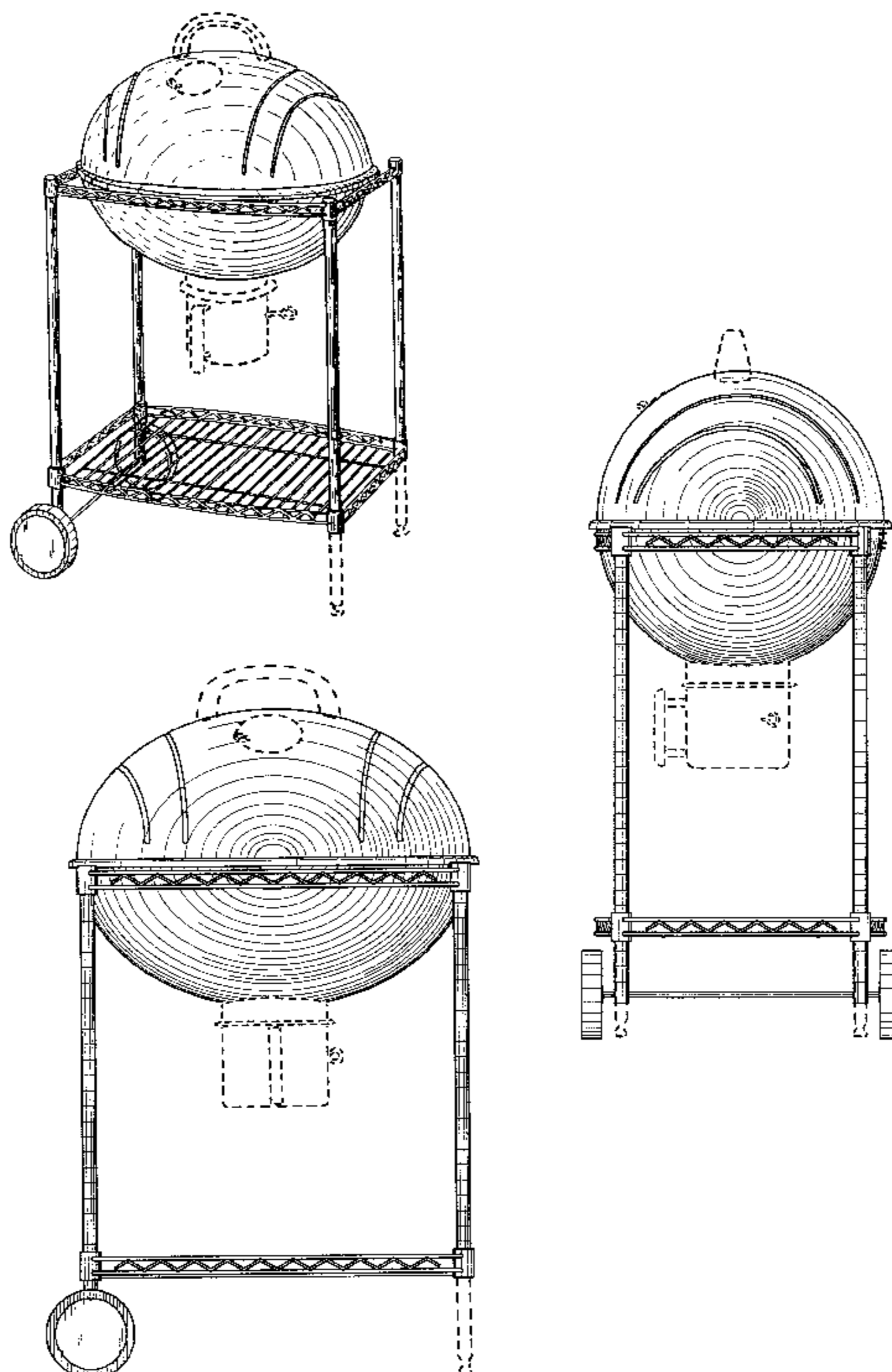
The ornamental design for an oval barbecue grill in a cart, as shown and described.

DESCRIPTION

FIG. 1 is a perspective elevational view of a first embodiment of my new design;
FIG. 2 is a front view of the embodiment of FIG. 1;
FIG. 3 is a right side view of same;
FIG. 4 is a rear view thereof;
FIG. 5 is a left side view thereof;
FIG. 6 is a top view of the first embodiment; and,
FIG. 7 is a bottom view thereof.

The broken lines showing the handle of the grill, the vent, the ash receiver and the feet of the cart in FIGS. 1-7 are for illustrative purposes only and form no part of the claimed design.

1 Claim, 3 Drawing Sheets



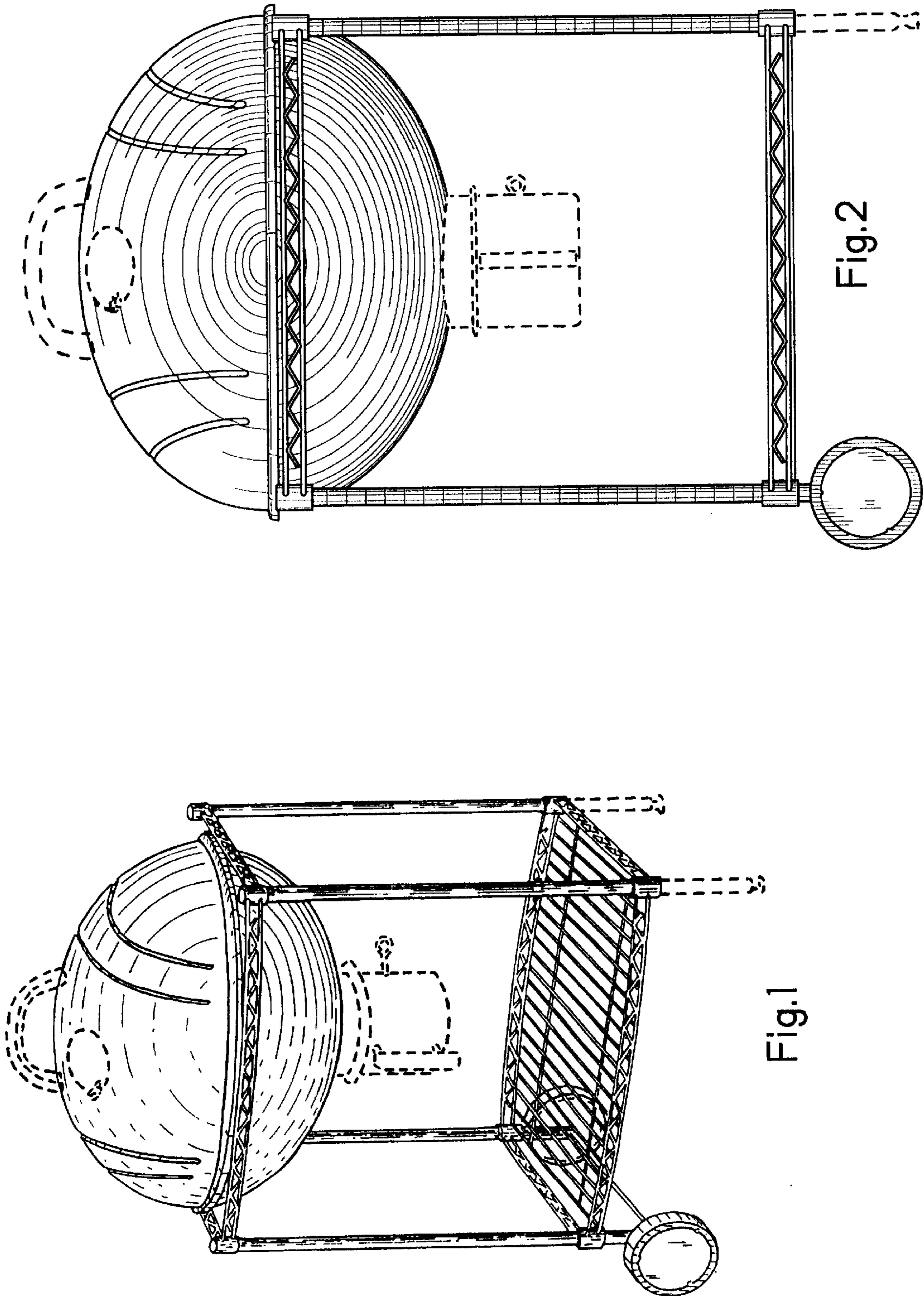


Fig.1

Fig.2

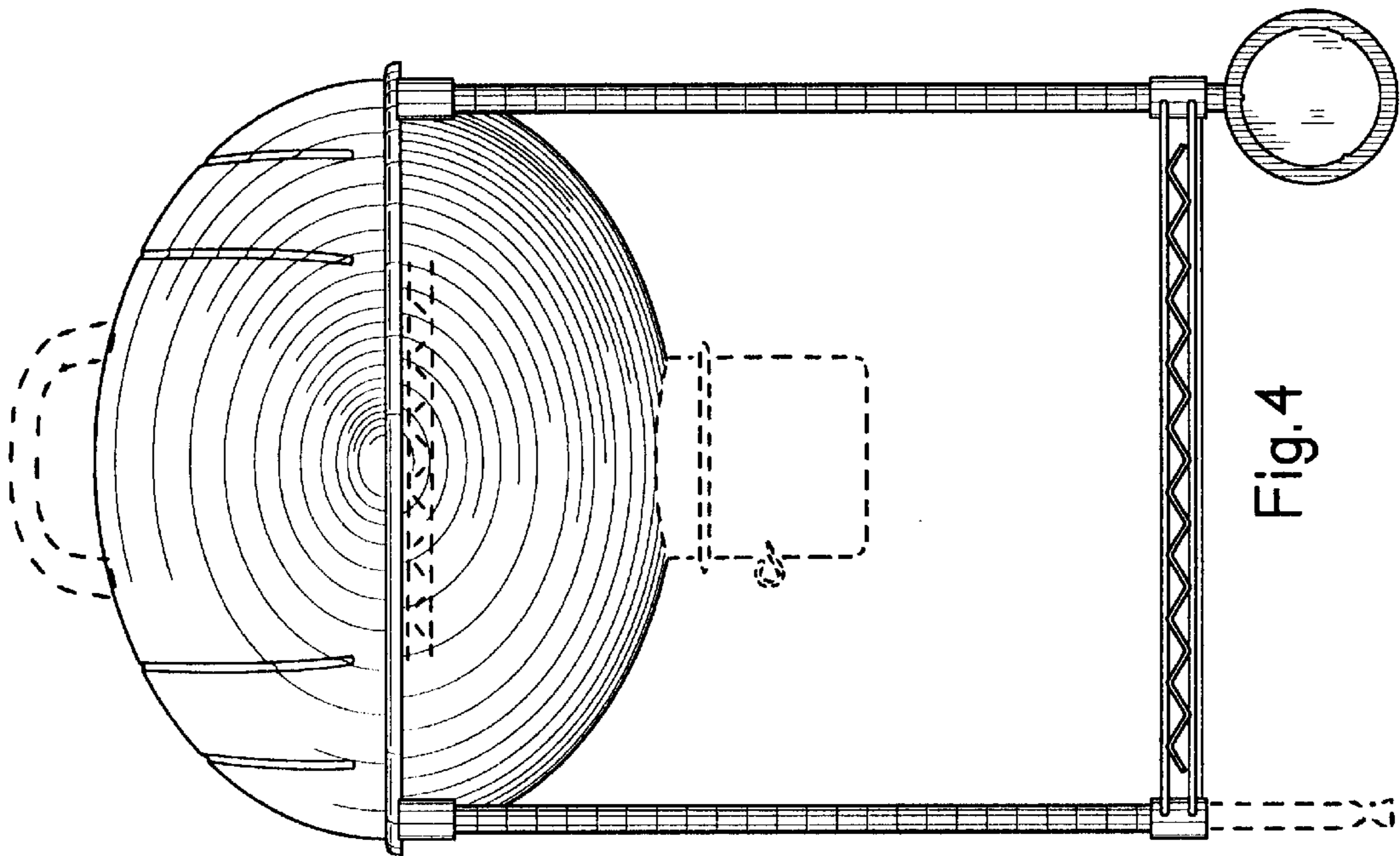


Fig. 4

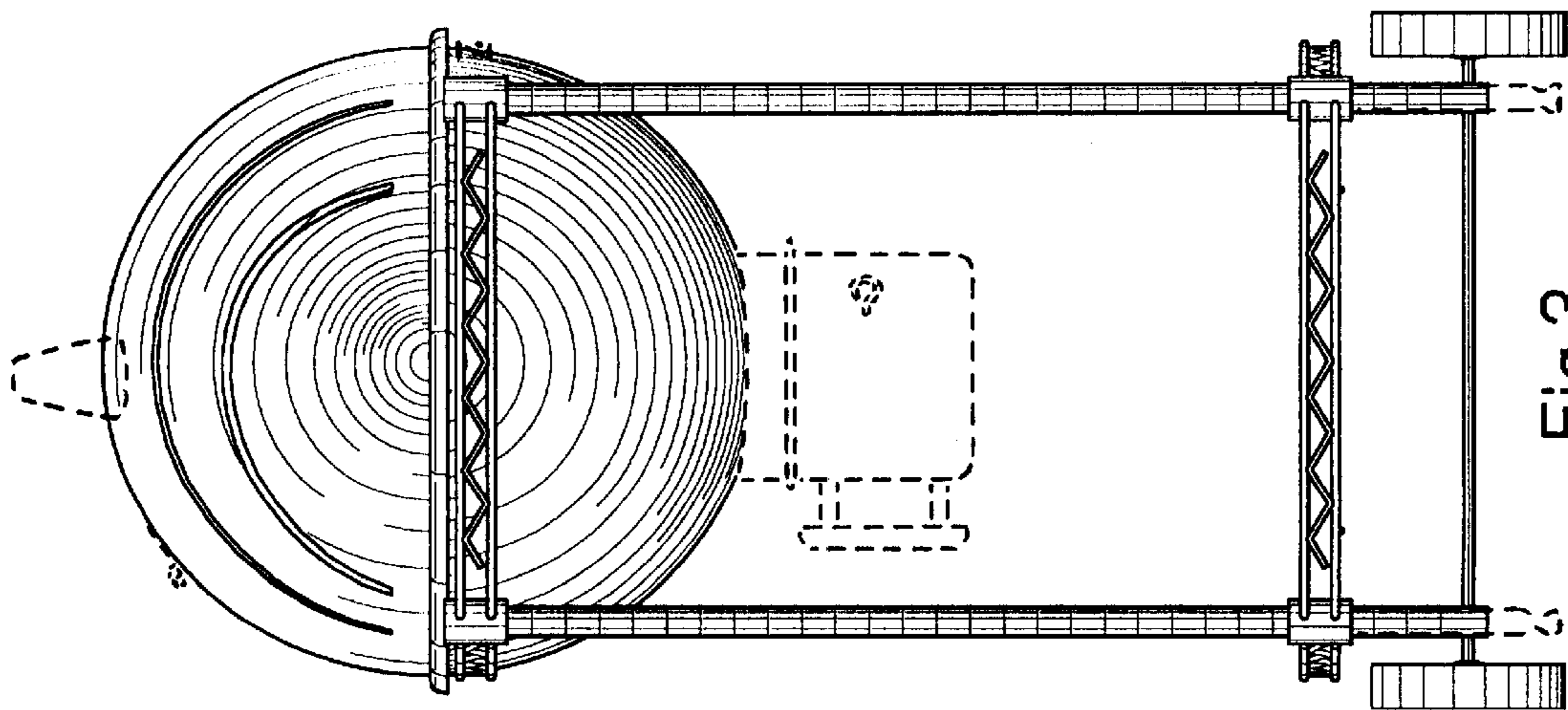


Fig. 3

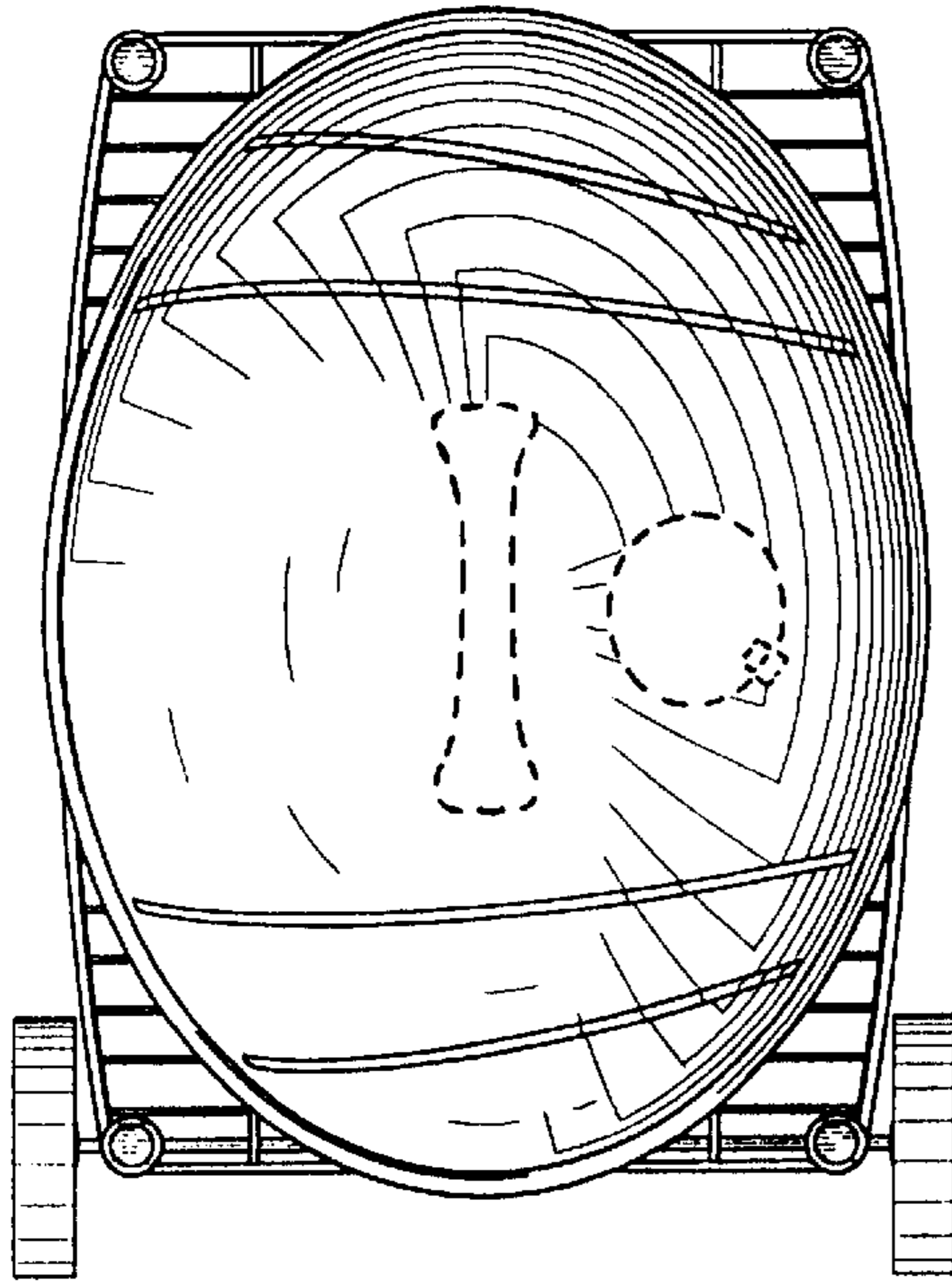


Fig. 6

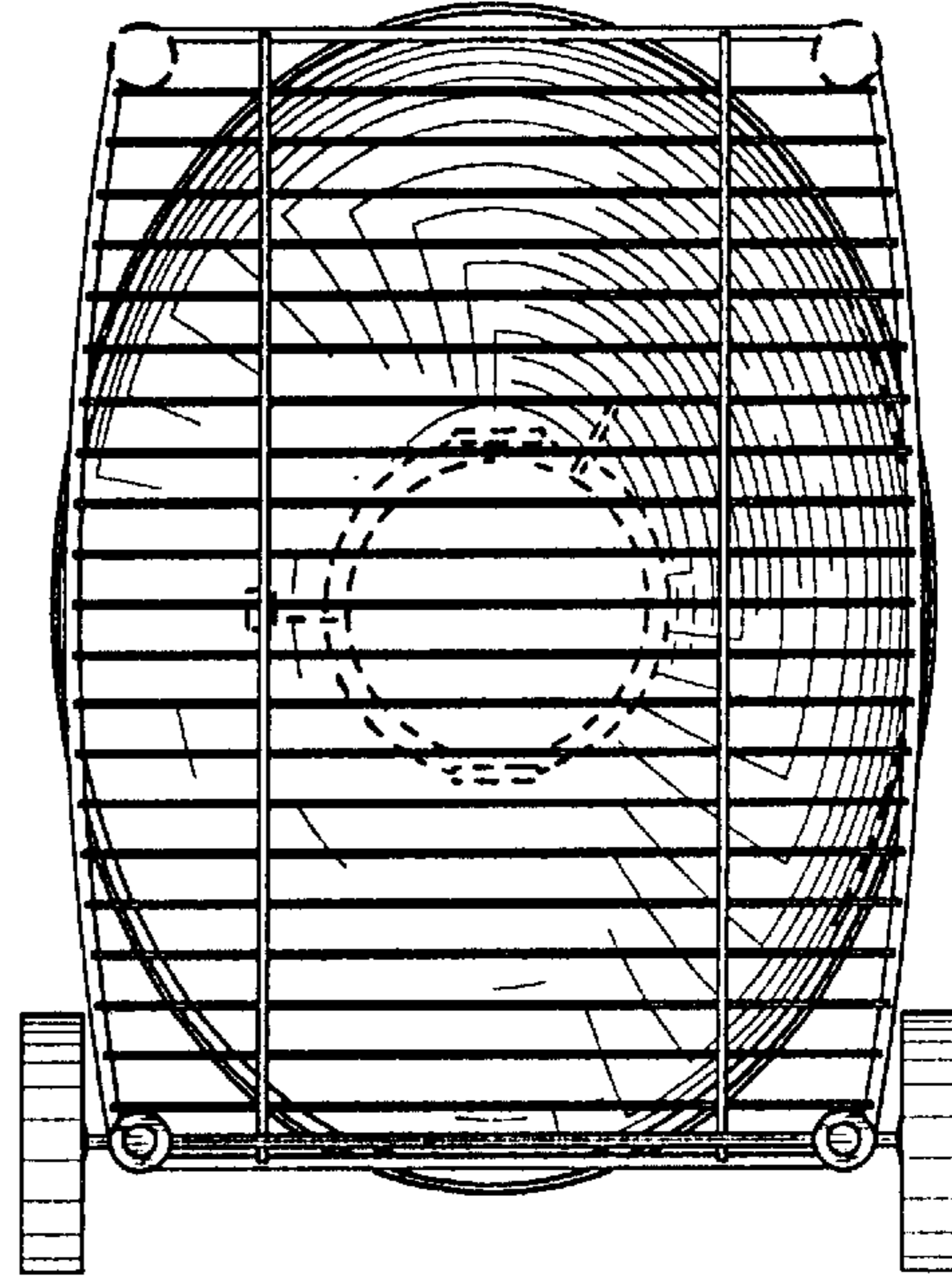


Fig. 7

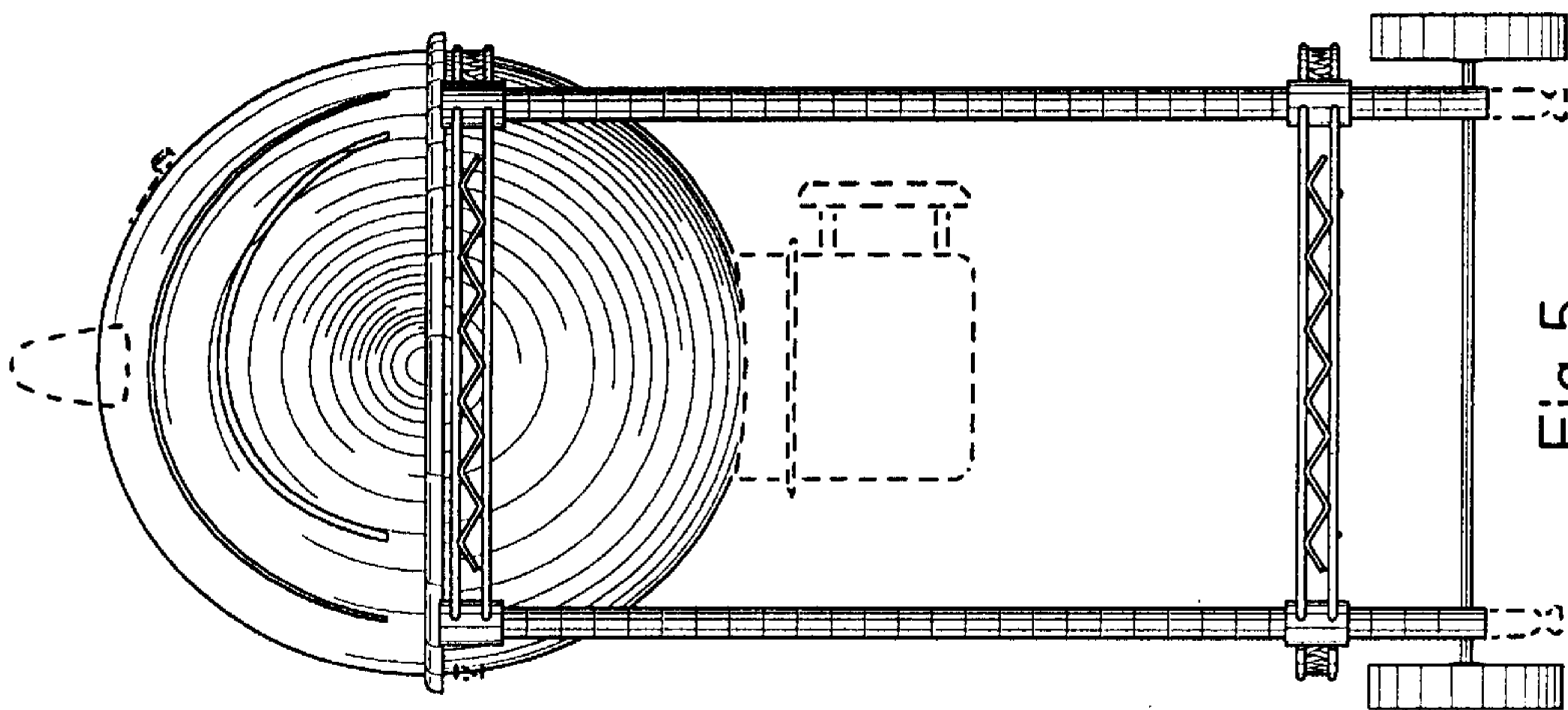


Fig. 5