



US00D476188S

(12) **United States Design Patent**
Wood

(10) **Patent No.:** **US D476,188 S**

(45) **Date of Patent:** **** Jun. 24, 2003**

(54) **OUTDOOR KITCHEN GRILL**

(75) Inventor: **Brian Wood**, McKinney, TX (US)

(73) Assignee: **The Brinkmann Corporation**, Dallas, TX (US)

(**) Term: **14 Years**

(21) Appl. No.: **29/129,750**

(22) Filed: **Sep. 19, 2000**

(51) **LOC (7) Cl.** **07-02**

(52) **U.S. Cl.** **D7/334**

(58) **Field of Search** D7/332, 334-337,
D7/402-404; 126/25 R, 25 A, 25 AA, 9 R,
9 B, 29-30, 41 R; 99/421 R, 444

(56) **References Cited**

U.S. PATENT DOCUMENTS

D254,468 S	*	3/1980	Cox	D7/334
4,886,045 A	*	12/1989	Ducate, Jr. et al.	126/41 R
D316,355 S	*	4/1991	Stephen et al.	D7/334
5,070,776 A	*	12/1991	Schlosser et al.	99/450
D409,435 S	*	5/1999	Husted	D7/332
6,308,616 B1	*	10/2001	Johnson	99/339

* cited by examiner

Primary Examiner—Ruth McInroy

(74) *Attorney, Agent, or Firm*—Sheppard, Mullin, Richter & Hampton LLP; Oral Caglar

(57) **CLAIM**

I claim the ornamental design for an outdoor kitchen grill, as shown and described.

DESCRIPTION

FIG. 1 is a perspective view of an outdoor kitchen grill embodying the new design shown with a cover of a burner section in its closed position and a lid of a sink section shown placed over the sink section;

FIG. 2 is a front side elevational view thereof;

FIG. 3 is a rear side elevational view thereof;

FIG. 4 is a left side elevational view thereof;

FIG. 5 is a right side elevational view thereof; and

FIG. 6 is a top plan view thereof;

FIG. 7 is a detail perspective view of the burner section of the outdoor kitchen grill shown in FIG. 1, shown with the cover of the burner section in its open position; and,

FIG. 8 is a perspective view of the sink section of the grill shown in FIG. 1, shown with the lid of the sink section removed.

The broken lines shown in FIGS. 6-8 are for illustrative purposes only and form no part of the claimed design.

1 Claim, 5 Drawing Sheets

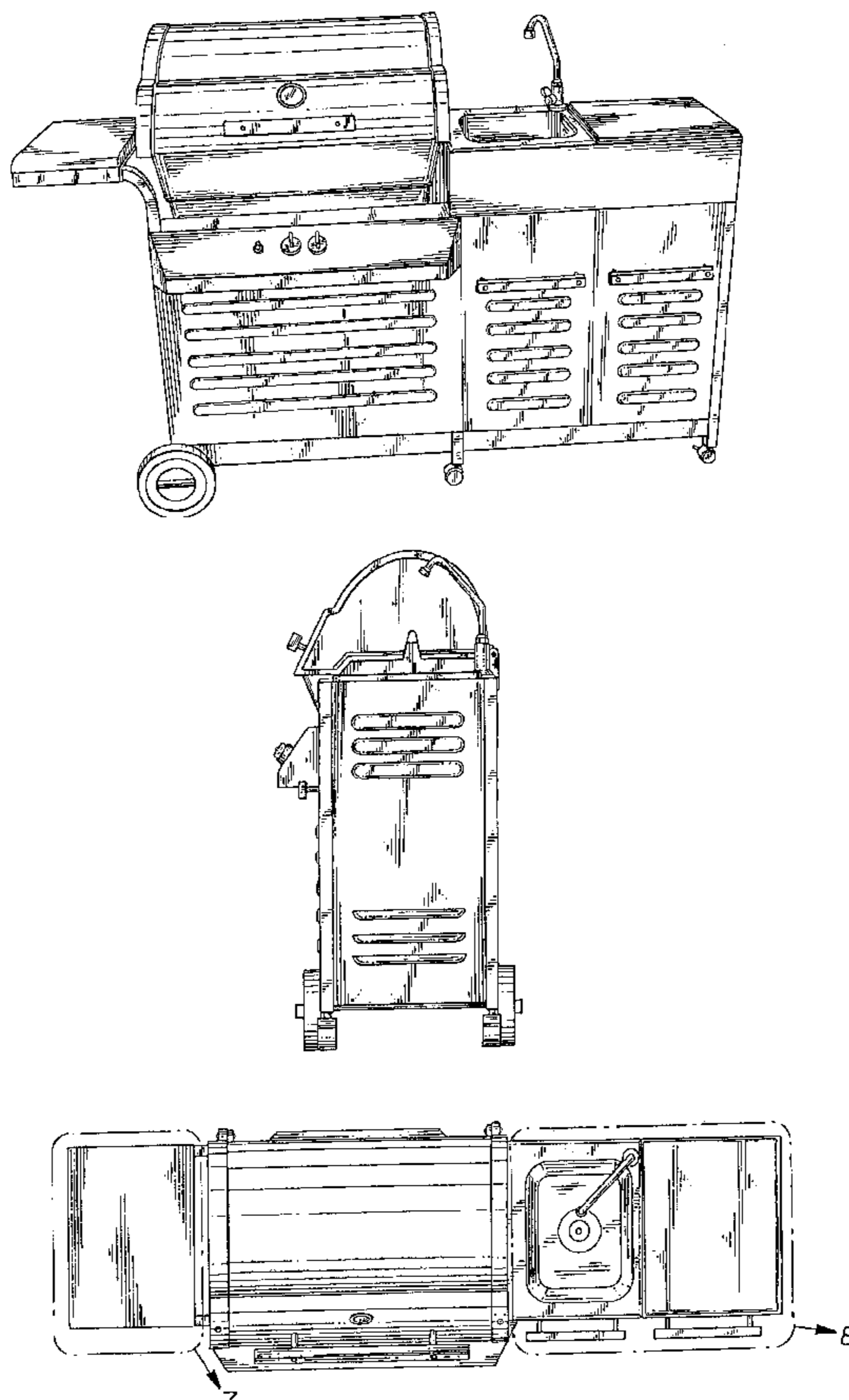


FIG. 1

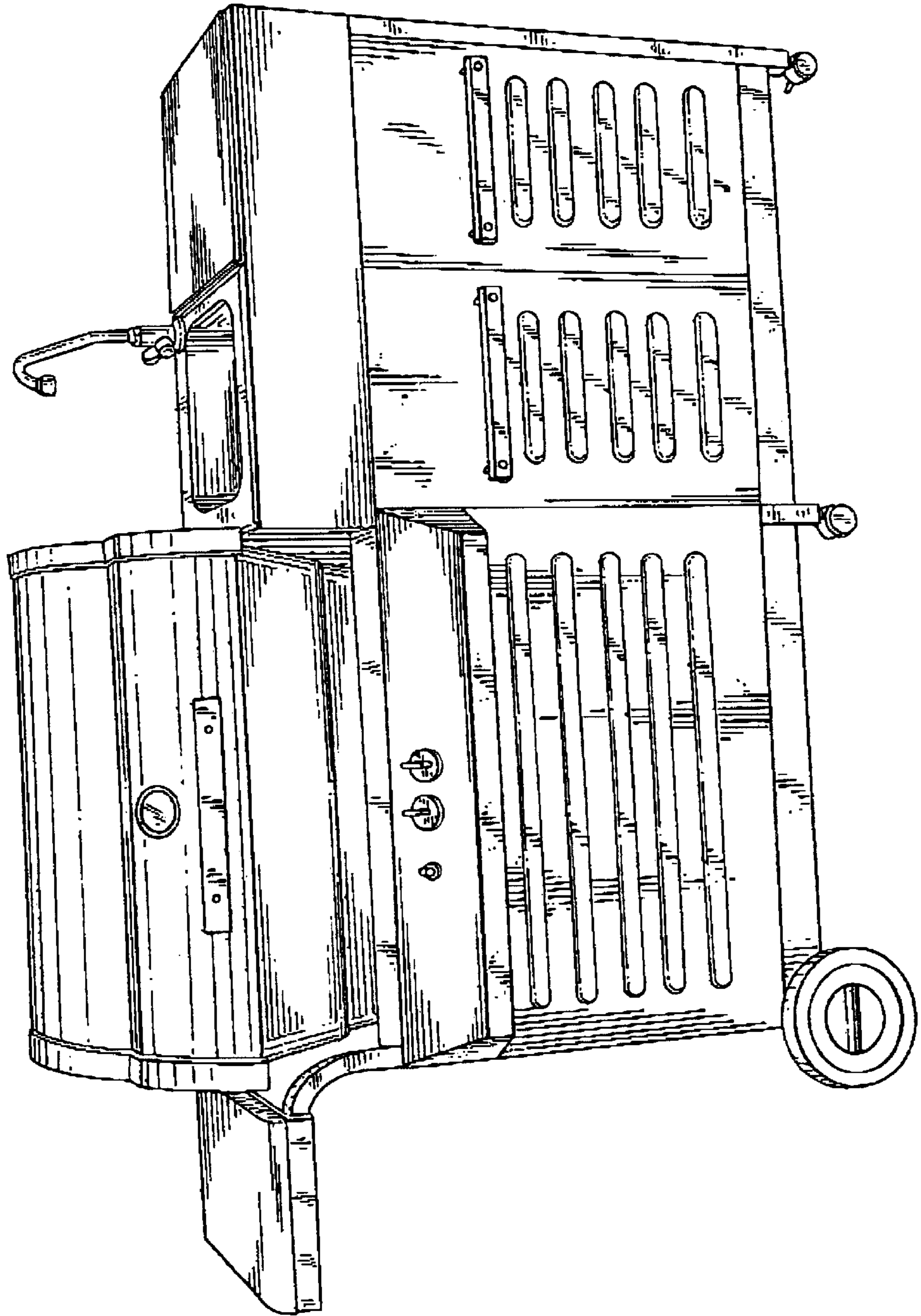
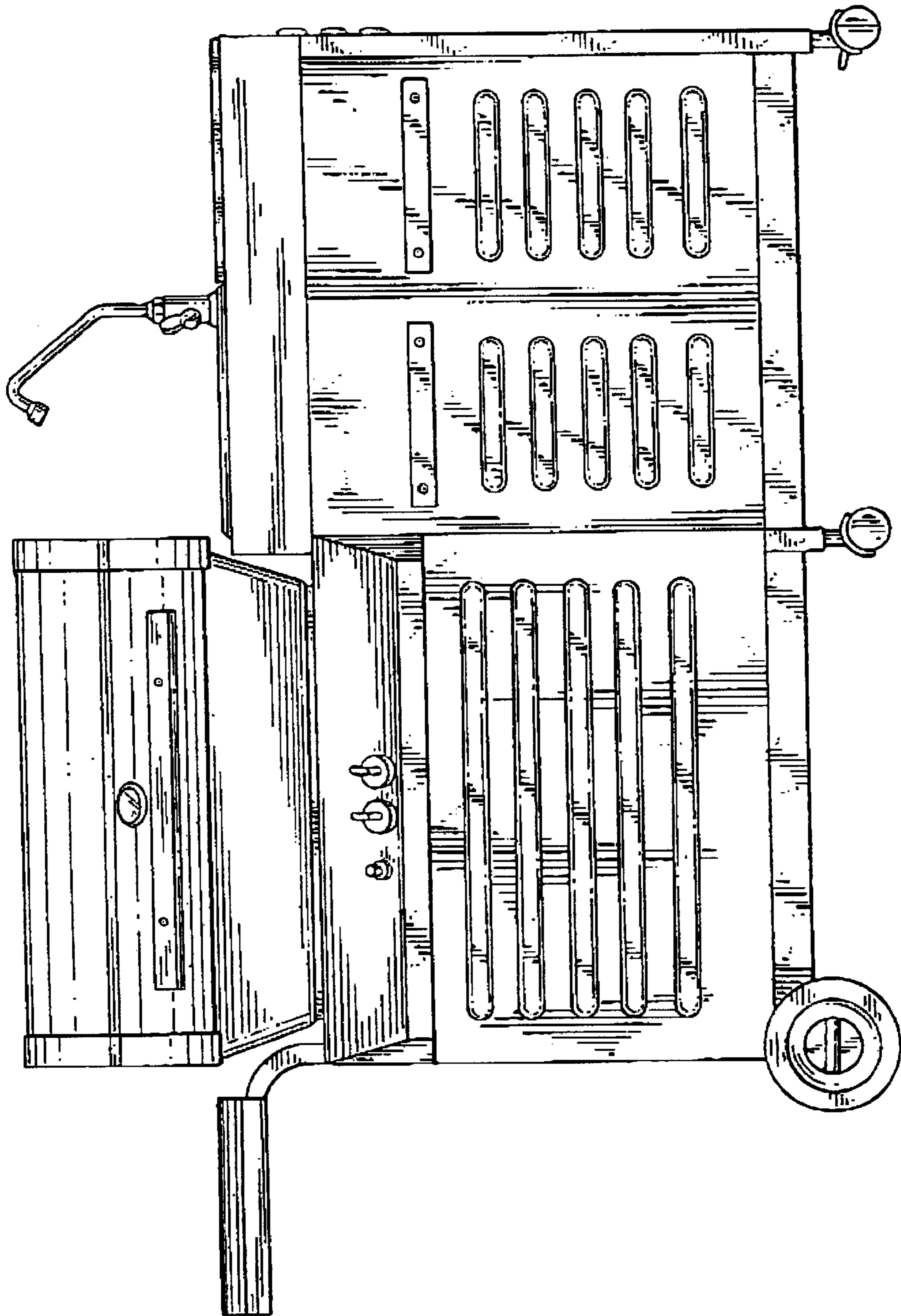


FIG. 2



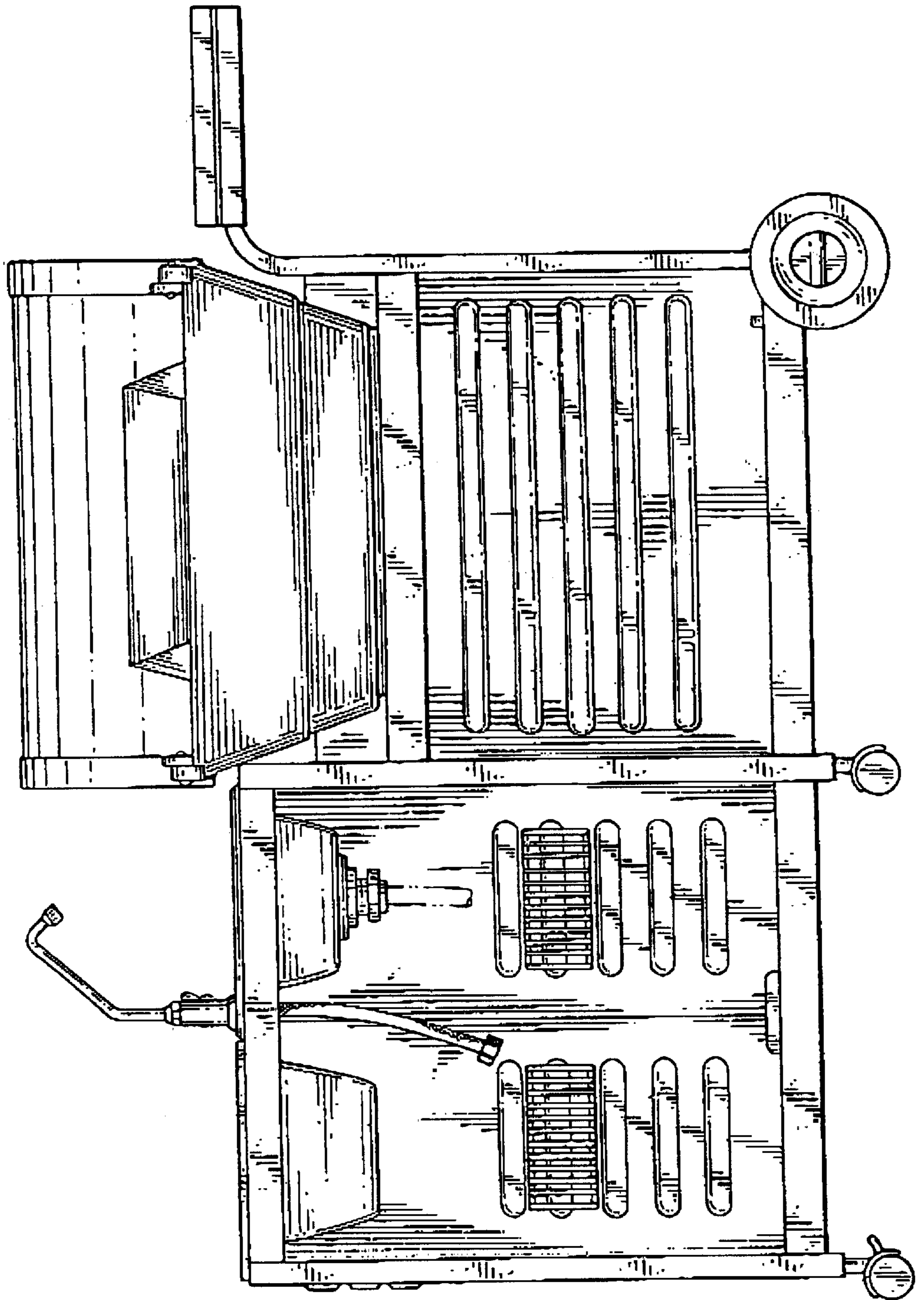


FIG. 3

FIG. 5

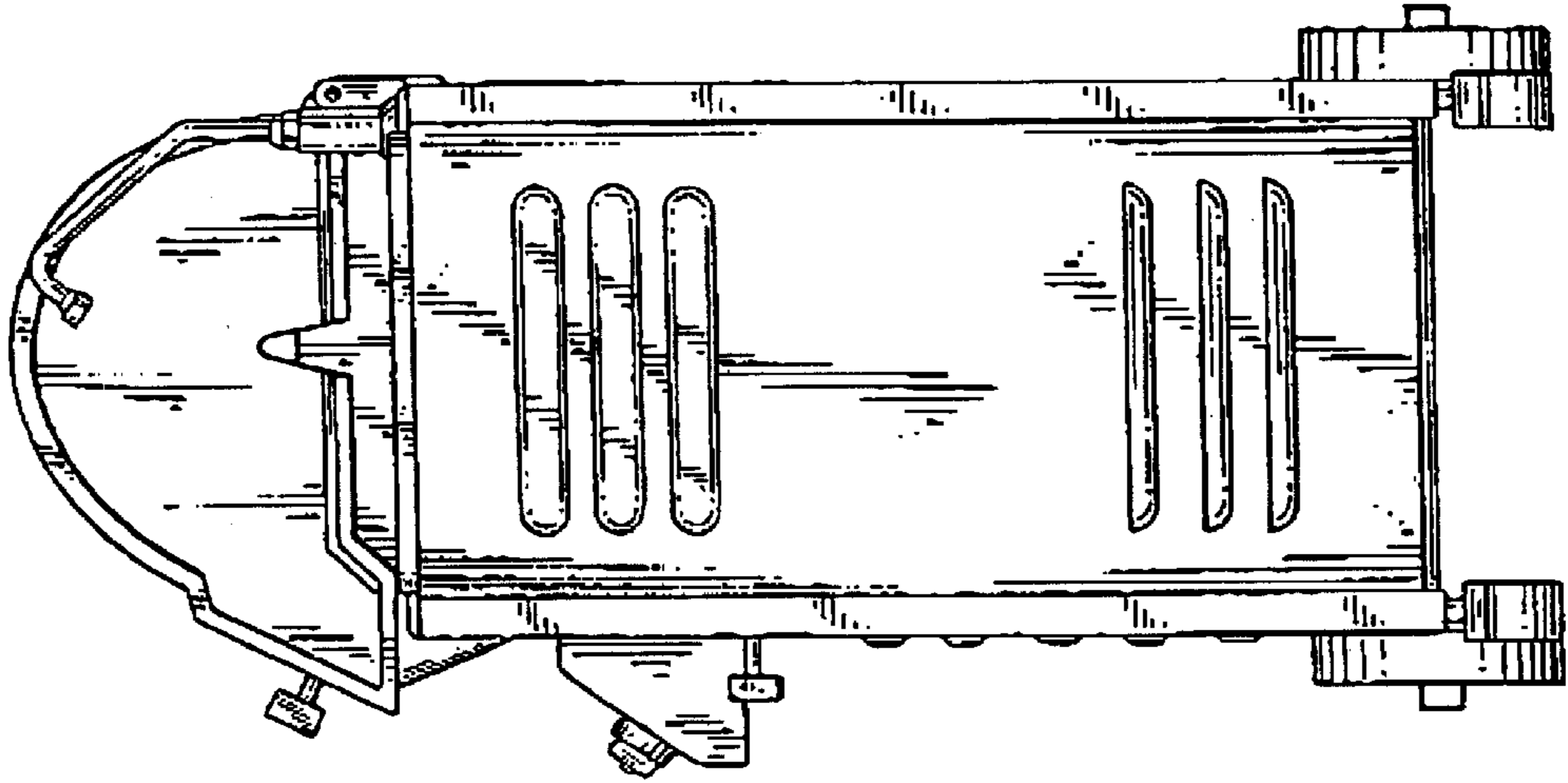


FIG. 4

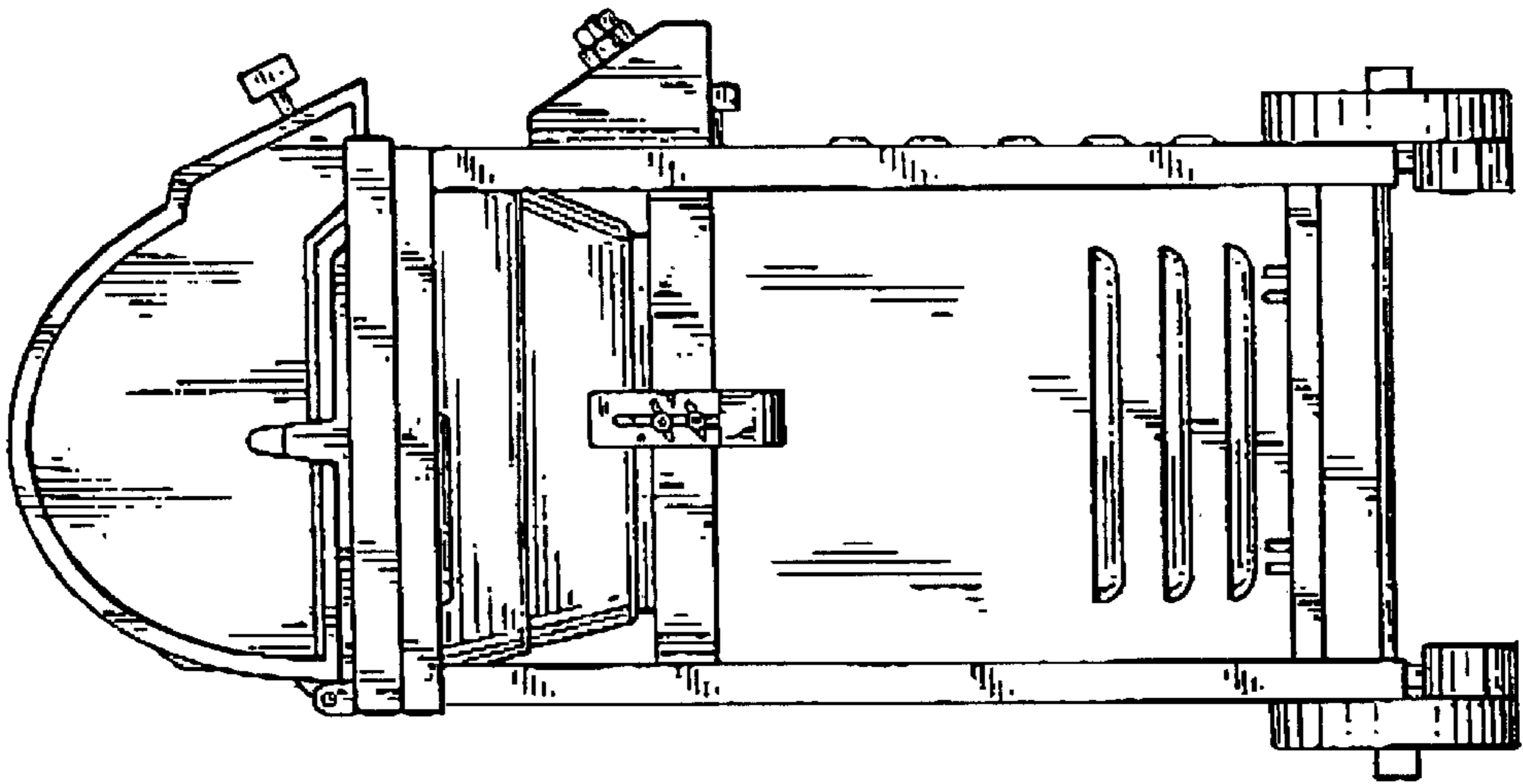


FIG. 6

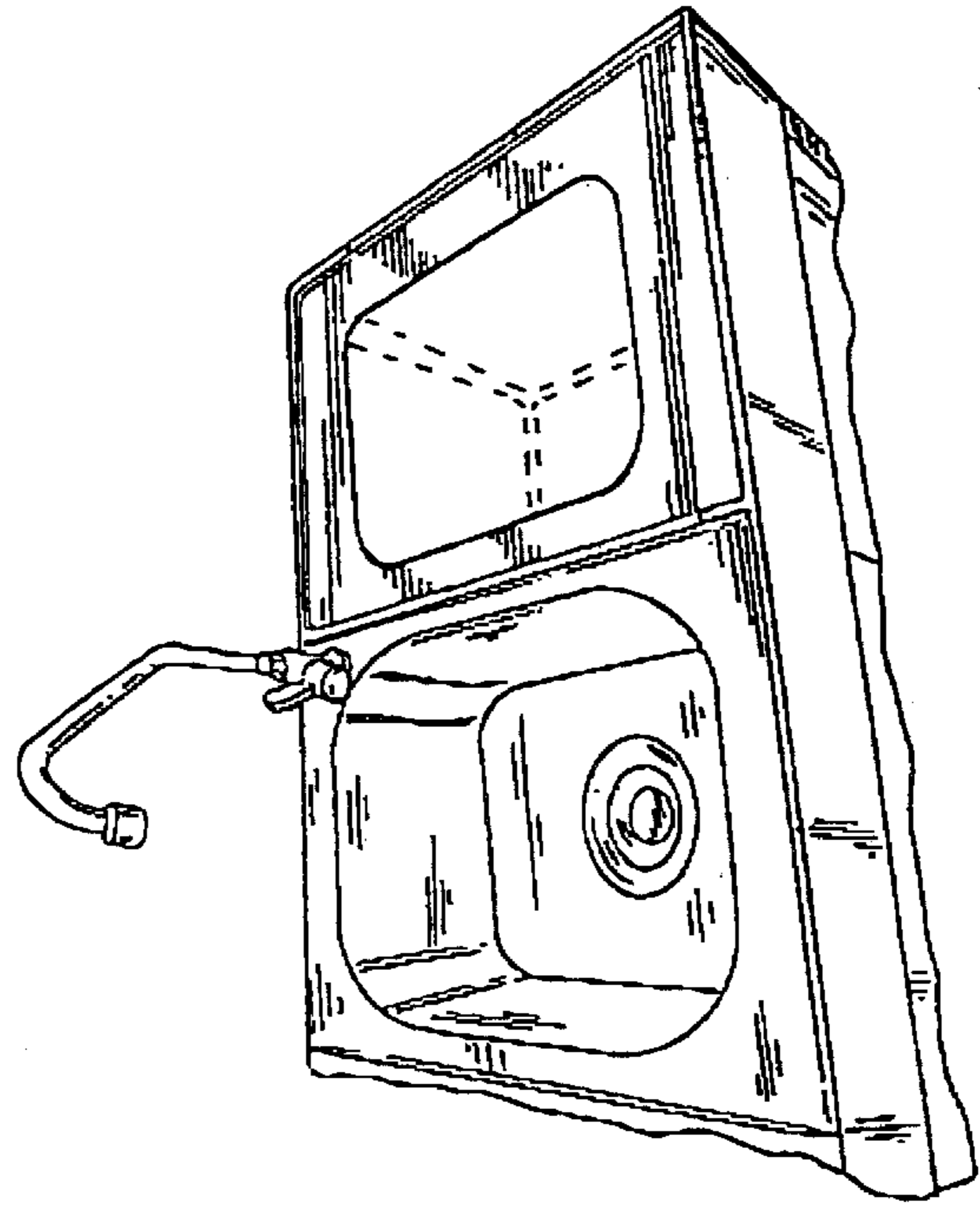
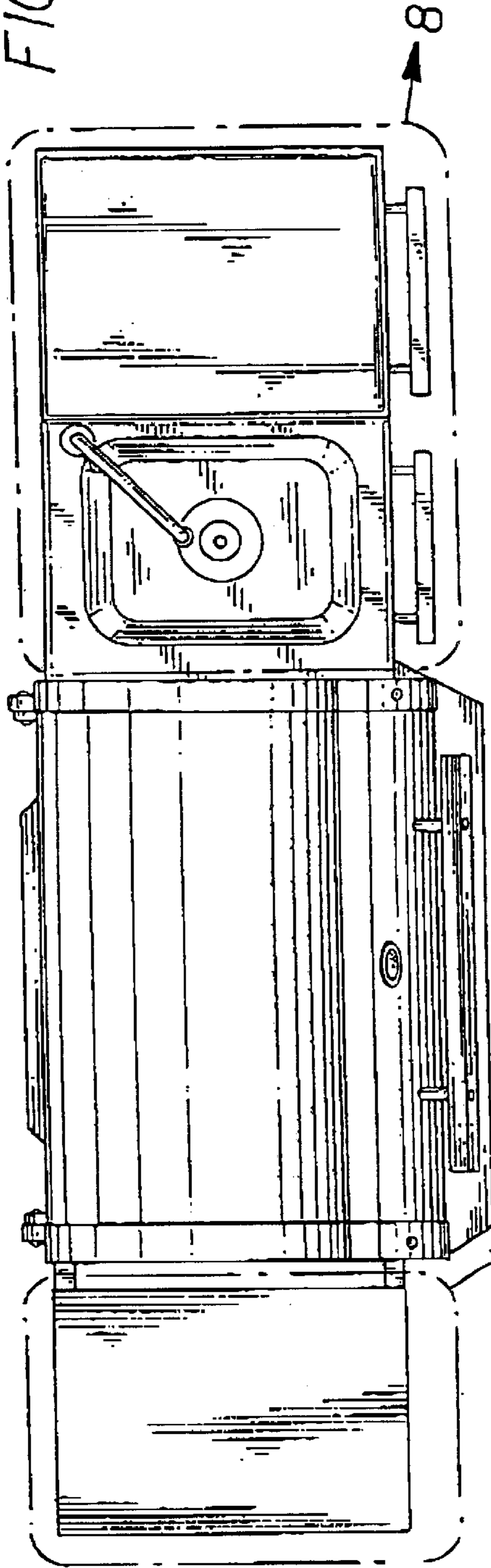


FIG. 8

FIG. 7

