



US00D476187S

(12) **United States Design Patent**  
**Lau et al.**

(10) **Patent No.:** **US D476,187 S**

(45) **Date of Patent:** **\*\* Jun. 24, 2003**

(54) **CD RACK**

(75) Inventors: **Wai-Ming Lau**, Shatin (HK); **Jason Bennett**, Ying Fai Tee (HK)

(73) Assignee: **Sunhing Millennium Ltd.**, Kowloon (HK)

(\*\*) Term: **14 Years**

(21) Appl. No.: **29/165,434**

(22) Filed: **Aug. 12, 2002**

**Related U.S. Application Data**

(63) Continuation of application No. 29/150,030, filed on Oct. 31, 2001.

(51) **LOC (7) Cl.** ..... **06-04**

(52) **U.S. Cl.** ..... **D6/630**

(58) **Field of Search** ..... D6/407, 629-631, D6/410-415, 449, 458, 459, 460-468; 108/59, 76, 91, 92, 102, 106, 108, 132; 206/307, 307.1, 308.1, 310, 387.15; 211/13.1, 34, 36-38, 40-41.12, 55-58, 74, 77, 78, 85.6, 126.9, 134, 144, 163, 181.1, 194

(56) **References Cited**

**U.S. PATENT DOCUMENTS**

5,346,074	A	*	9/1994	Overholser	.....	211/40
5,615,779	A	*	4/1997	Marsilio et al.	.....	211/40
D396,376	S	*	7/1998	Sze-Man	.....	D6/630
D420,239	S	*	2/2000	Nemeth	.....	D6/630
D427,475	S	*	7/2000	Hwang	.....	D6/630

\* cited by examiner

*Primary Examiner*—Cathron C. Brooks

(74) *Attorney, Agent, or Firm*—Burns, Doane, Swecker & Mathis, L.L.P.

(57) **CLAIM**

The ornamental design for a “CD rack”, as shown and described.

**DESCRIPTION**

FIG. 1 is a front view of a “CD rack” showing our design;

FIG. 2 is a rear view thereof;

FIG. 3 is a left side view thereof;

FIG. 4 is a right side view thereof;

FIG. 5 is a top plan view thereof;

FIG. 6 is a bottom view thereof;

FIG. 7 is a perspective view thereof.

FIG. 8 is a front view with the stand in opened position thereof;

FIG. 9 is a rear view with the stand in opened position thereof;

FIG. 10 is a left side view with the stand in opened position thereof;

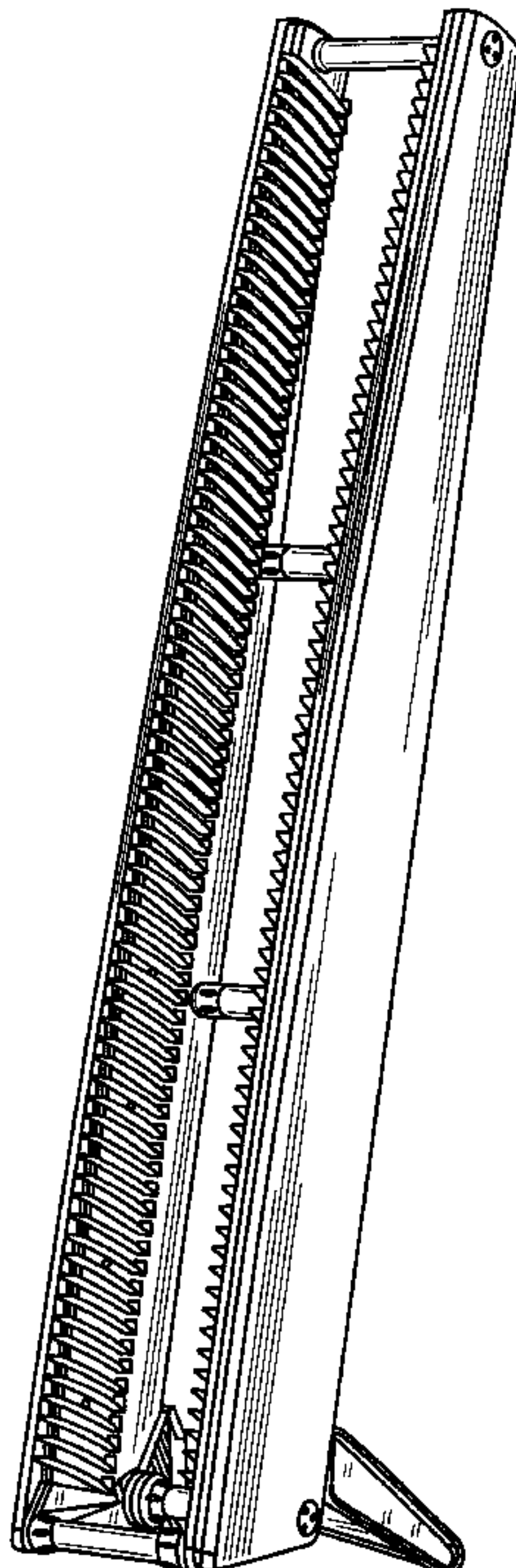
FIG. 11 is a right side view with the stand in opened position thereof;

FIG. 12 is a top plan view with the stand in opened position thereof;

FIG. 13 is a bottom view with the stand in opened position thereof; and,

FIG. 14 is a perspective with the stand in opened position thereof.

**1 Claim, 8 Drawing Sheets**



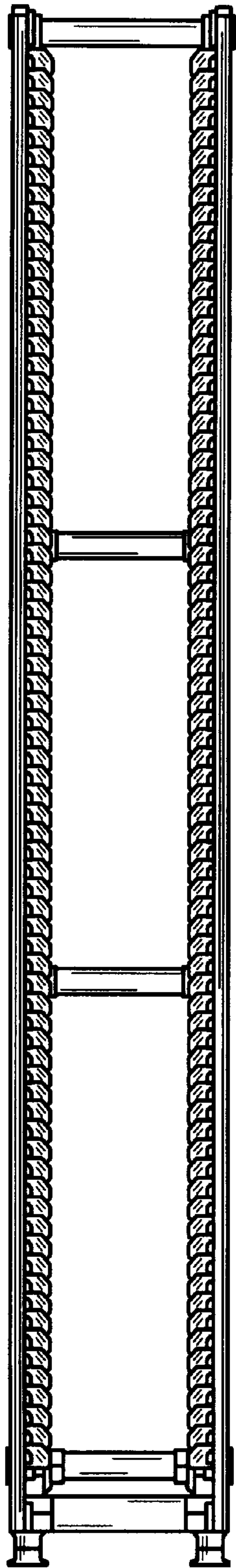


FIG. 1

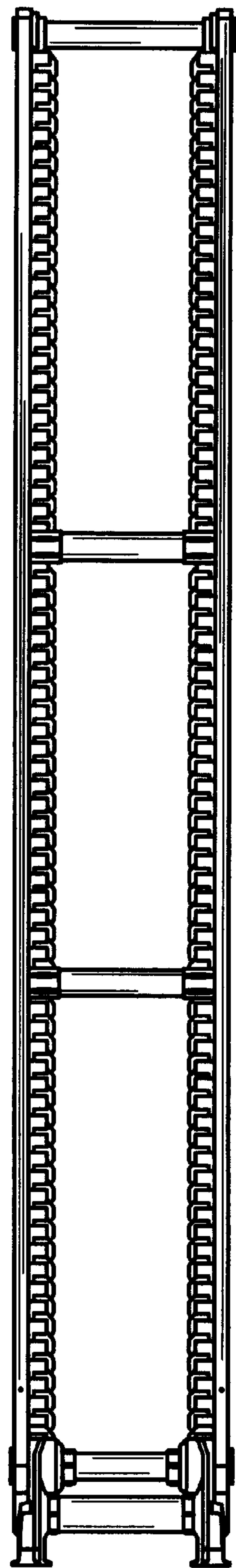


FIG. 2

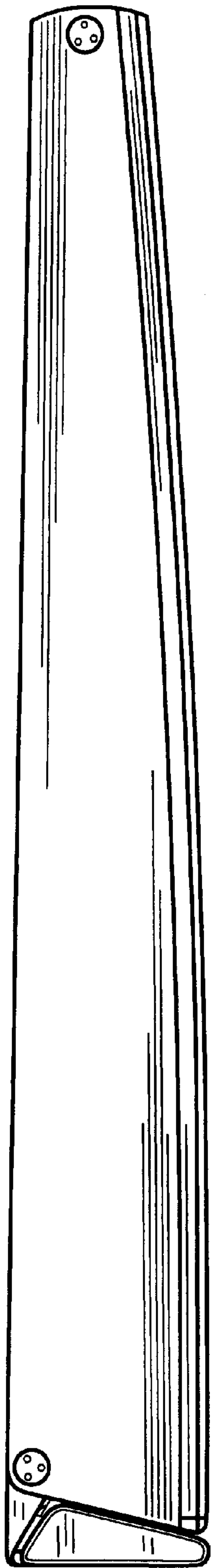


FIG. 3

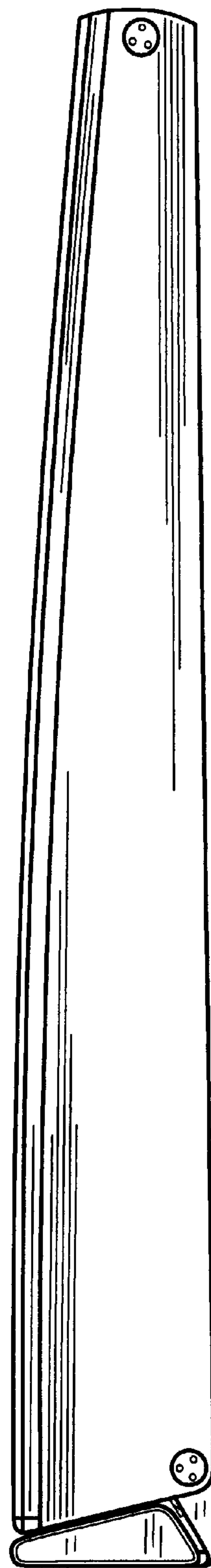


FIG. 4

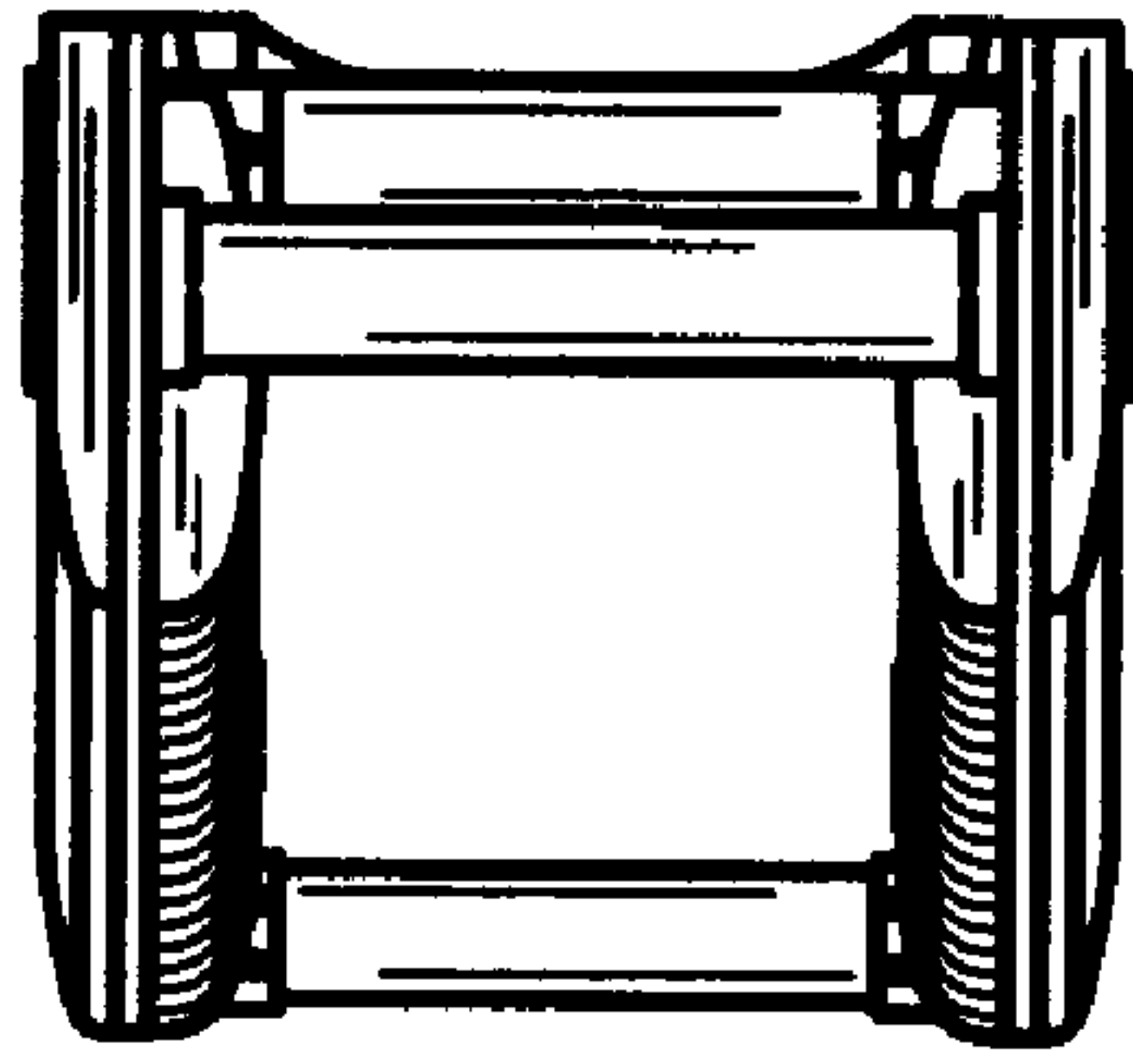


FIG. 5

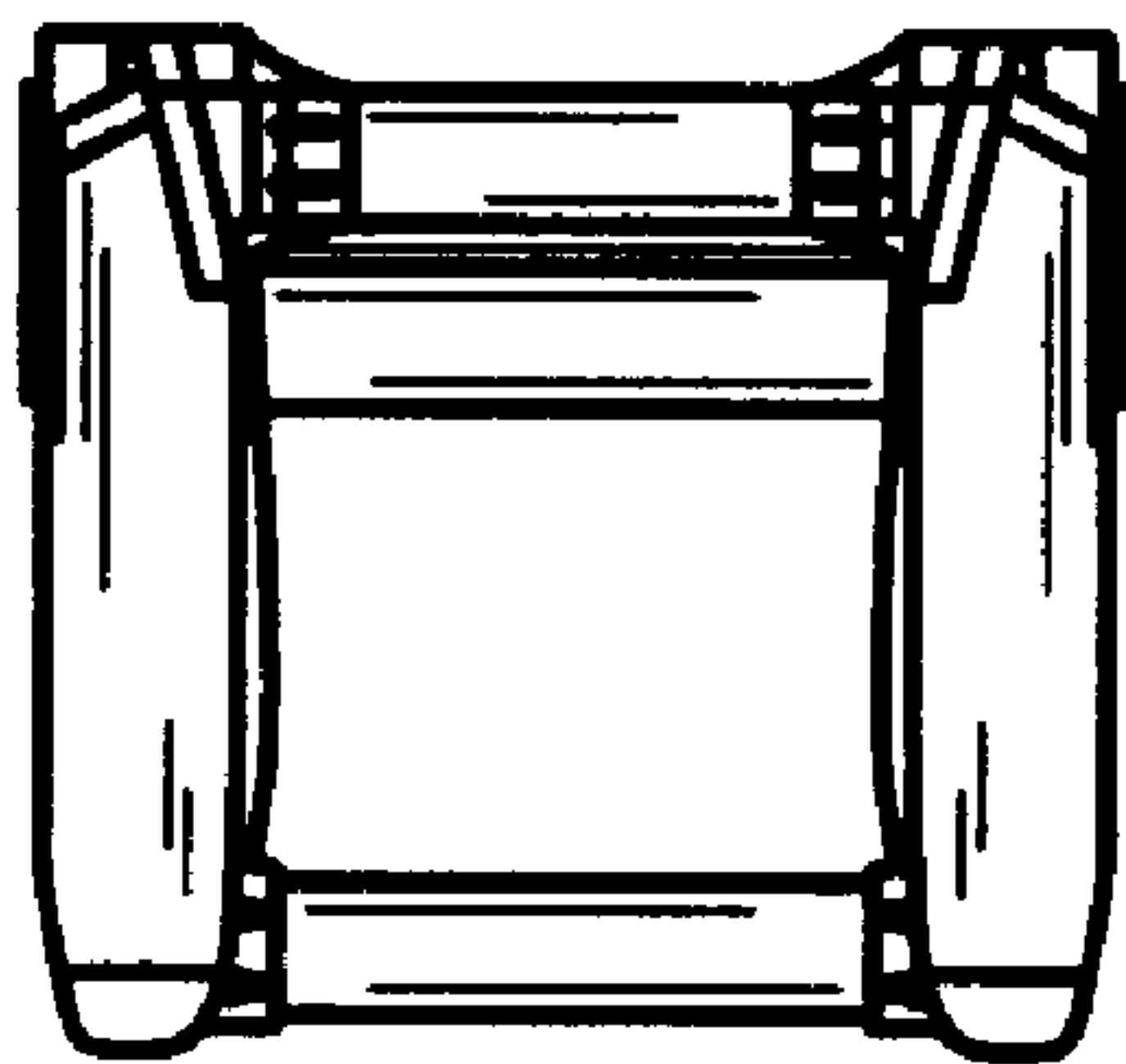


FIG. 6

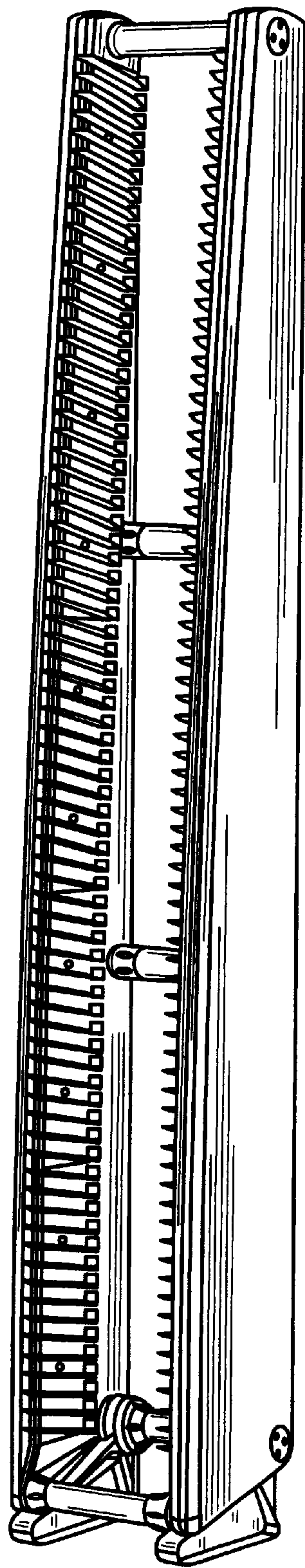


FIG. 7

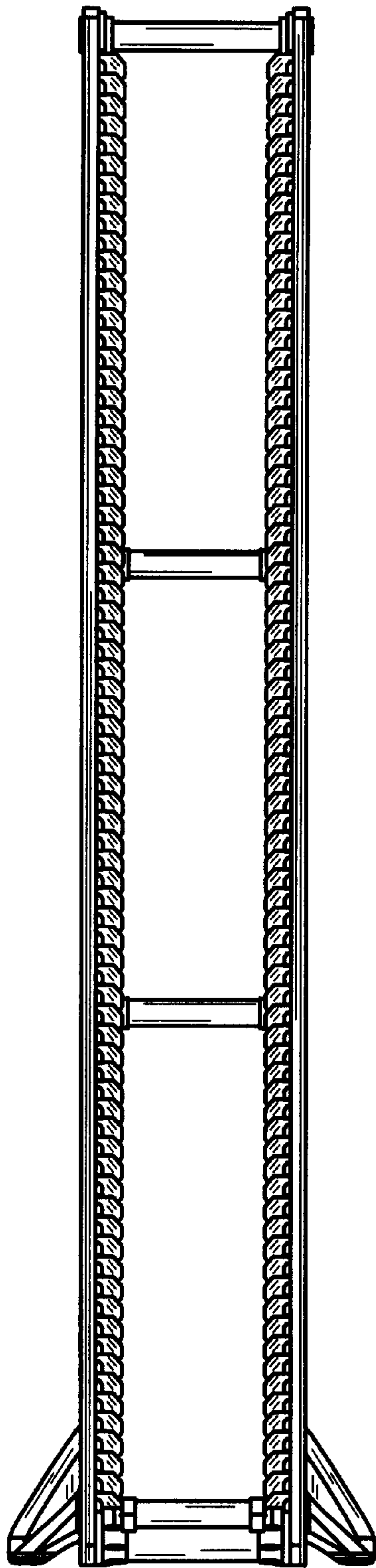


FIG. 8

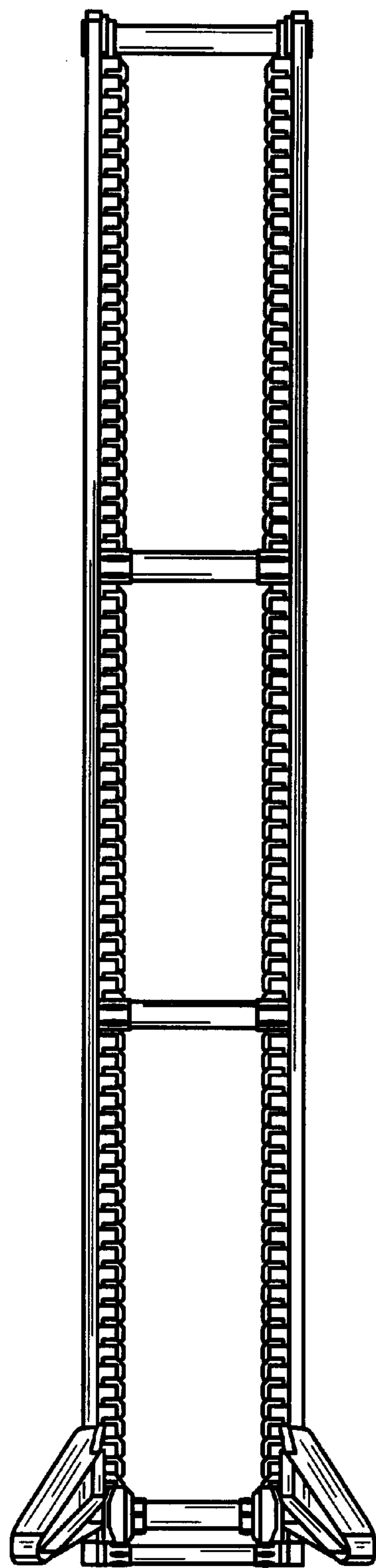


FIG. 9



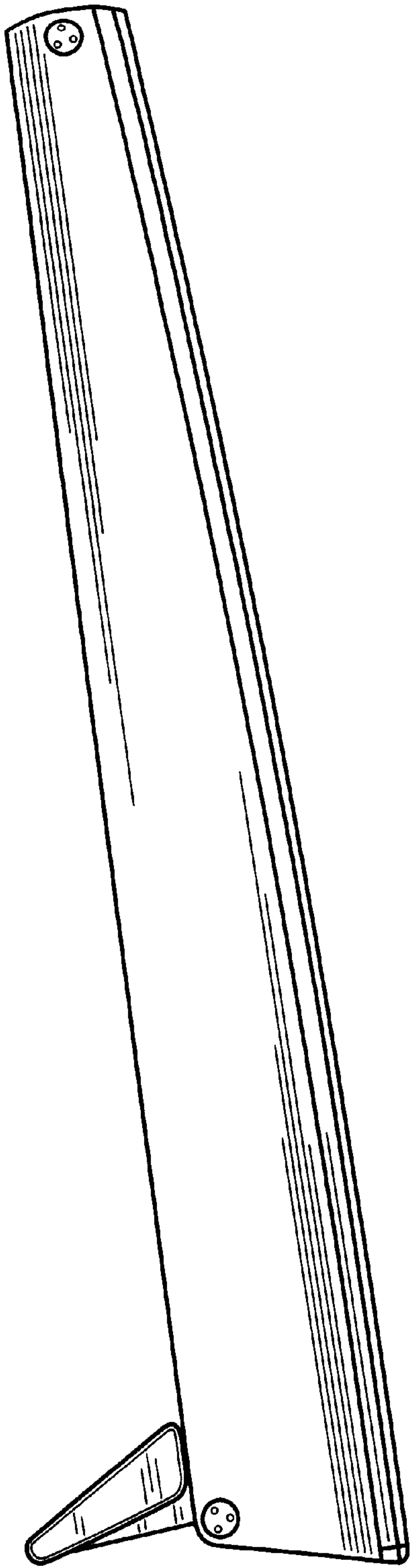


FIG. 10

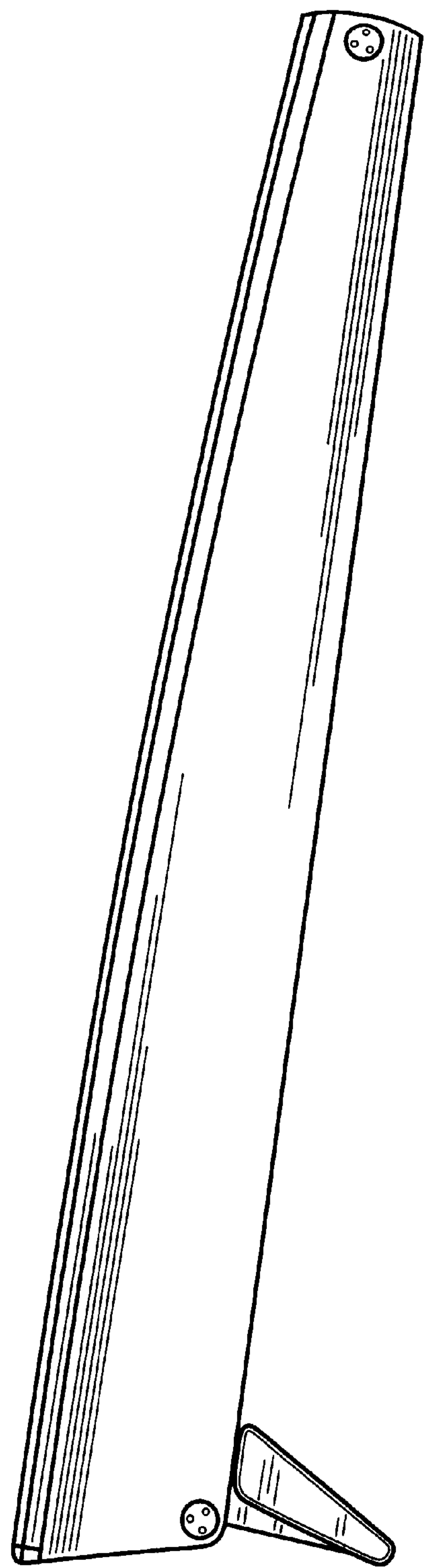


FIG. 11

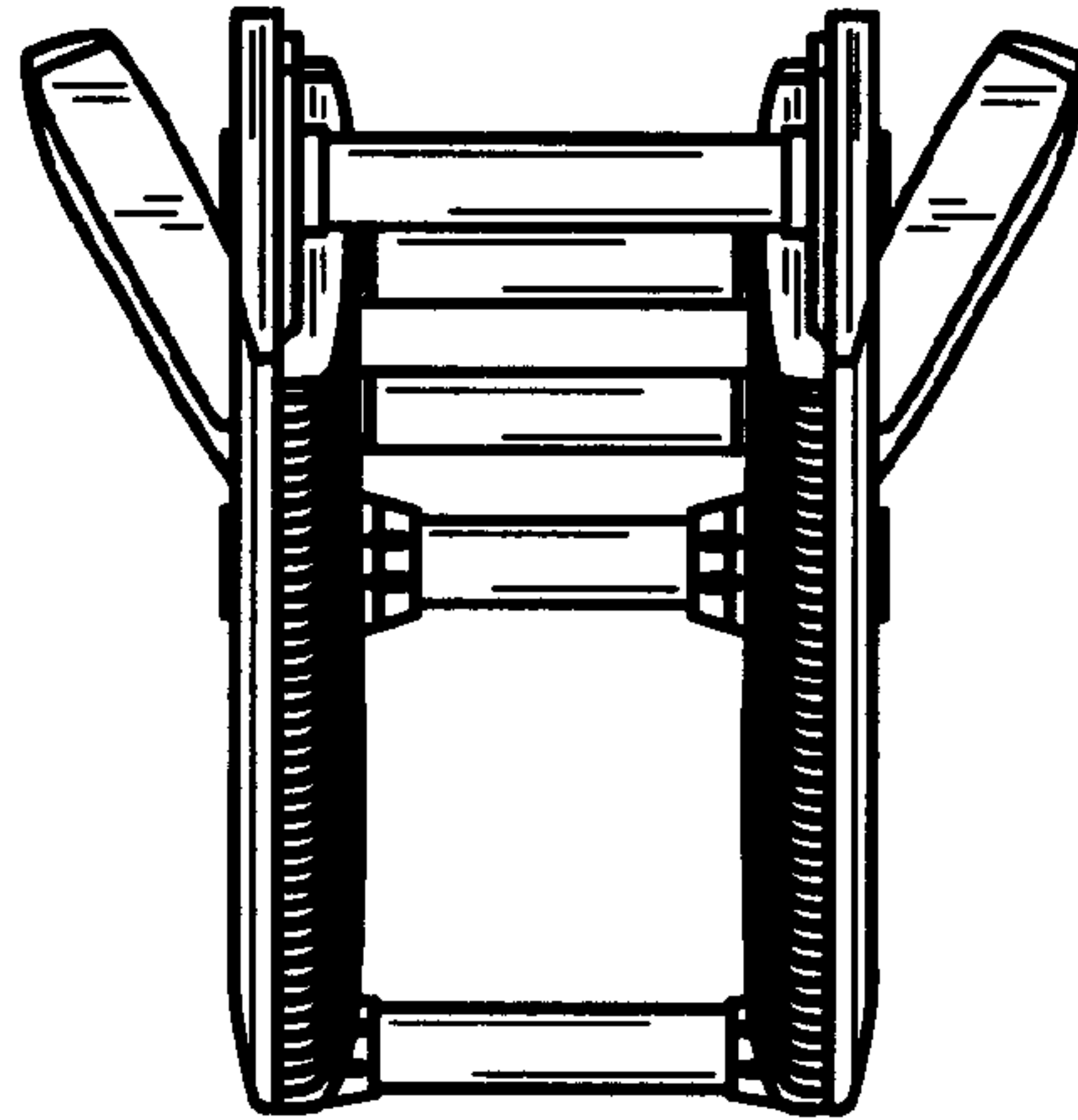


FIG. 12

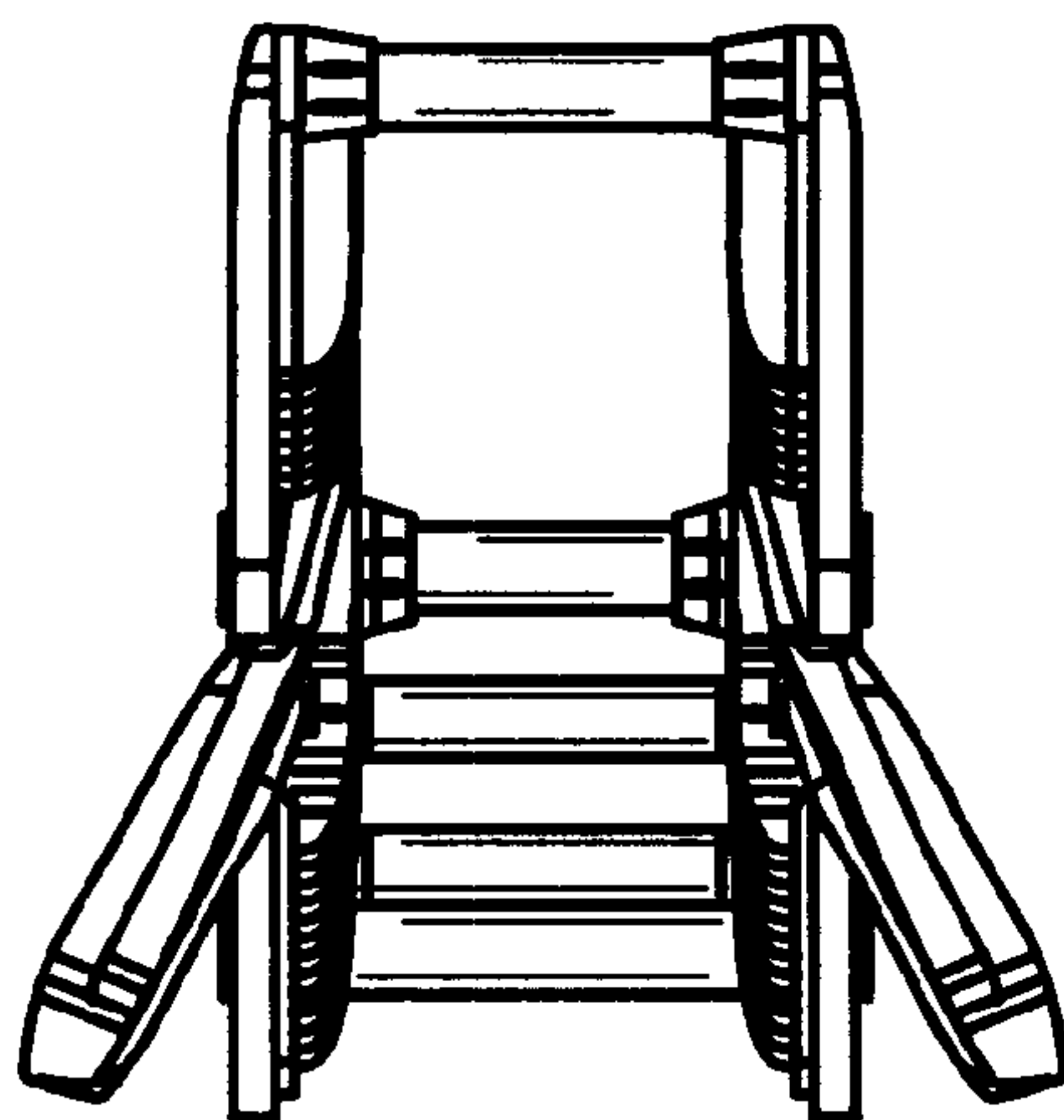


FIG. 13



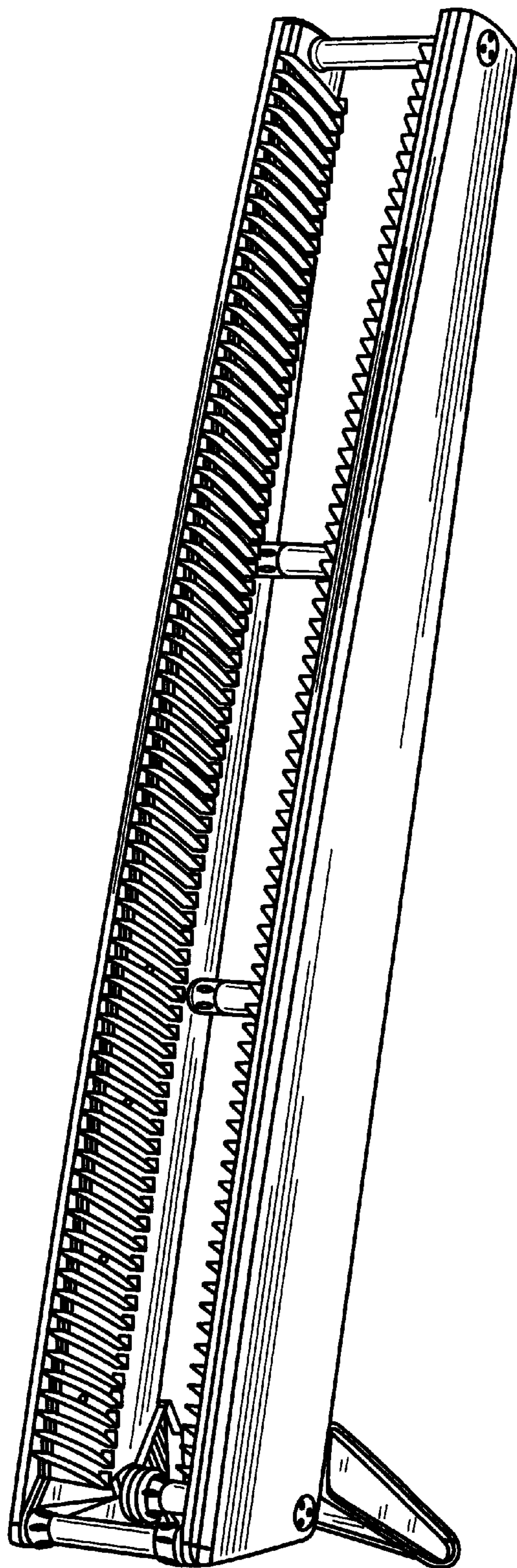


FIG. 14