



US00D476181S

(12) **United States Design Patent**
Yeh

(10) **Patent No.:** **US D476,181 S**

(45) **Date of Patent:** **** Jun. 24, 2003**

(54) **FIXATION SEAT OF RACKS ON A WALL**

(75) Inventor: **Ming-Chiung Yeh**, Chang Hua Hsien (TW)

(73) Assignee: **Fan Lih Enterprises Co., Ltd.**, Chang Hua Hsien (TW)

(**) Term: **14 Years**

(21) Appl. No.: **29/162,414**

(22) Filed: **Jun. 17, 2002**

(51) **LOC (7) Cl.** **23-02**

(52) **U.S. Cl.** **D6/524; D6/550**

(58) **Field of Search** D6/546-50, 518, D6/522-24; D8/300, 303, 315-21, 354, 363, 373, 380; 108/28-29; 211/13.1, 16, 60.1, 86.01, 87.01, 88.01, 88.04, 100, 105.1-105.2, 119.003, 123, 126.1, 133.6, 134, 181.1, 182; 248/175, 176.1, 200, 214, 251, 302, 309.1; 16/110.1, 412, 415; 242/570, 590, 595-598; 206/389, 557

(56) **References Cited**

U.S. PATENT DOCUMENTS

D74,422 S * 2/1928 Frolking D6/549

D79,771 S * 10/1929 Warner et al. D6/550
D82,571 S * 11/1930 Lovett D6/550
D91,178 S * 12/1933 Pleiss D6/550
D451,740 S * 12/2001 Yeh D6/550

* cited by examiner

Primary Examiner—Brian N. Vinson

(74) *Attorney, Agent, or Firm*—Harrison & Egbert

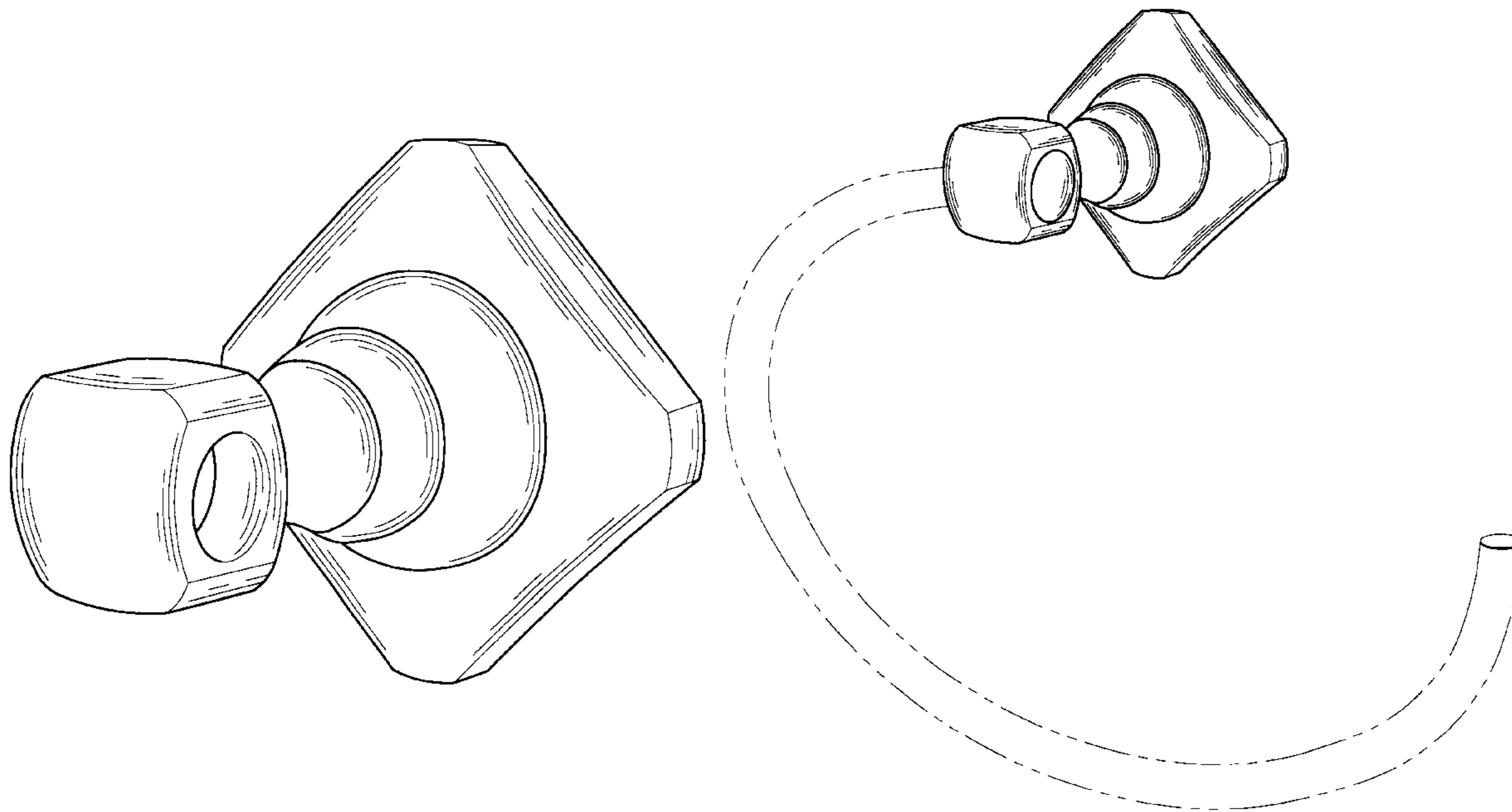
(57) **CLAIM**

I claim the ornamental design for a fixation seat of racks on a wall, as shown and described.

DESCRIPTION

FIG. 1 is an upper perspective view of the fixation seat of racks on a wall showing my design.
FIG. 2 is a front view thereof;
FIG. 3 is a back view thereof;
FIG. 4 is a side view thereof;
FIG. 5 is an opposite side view thereof;
FIG. 6 is a top view thereof;
FIG. 7 is a bottom view thereof; and,
FIG. 8 is an upper perspective view thereof showing a ring attachment.

1 Claim, 5 Drawing Sheets



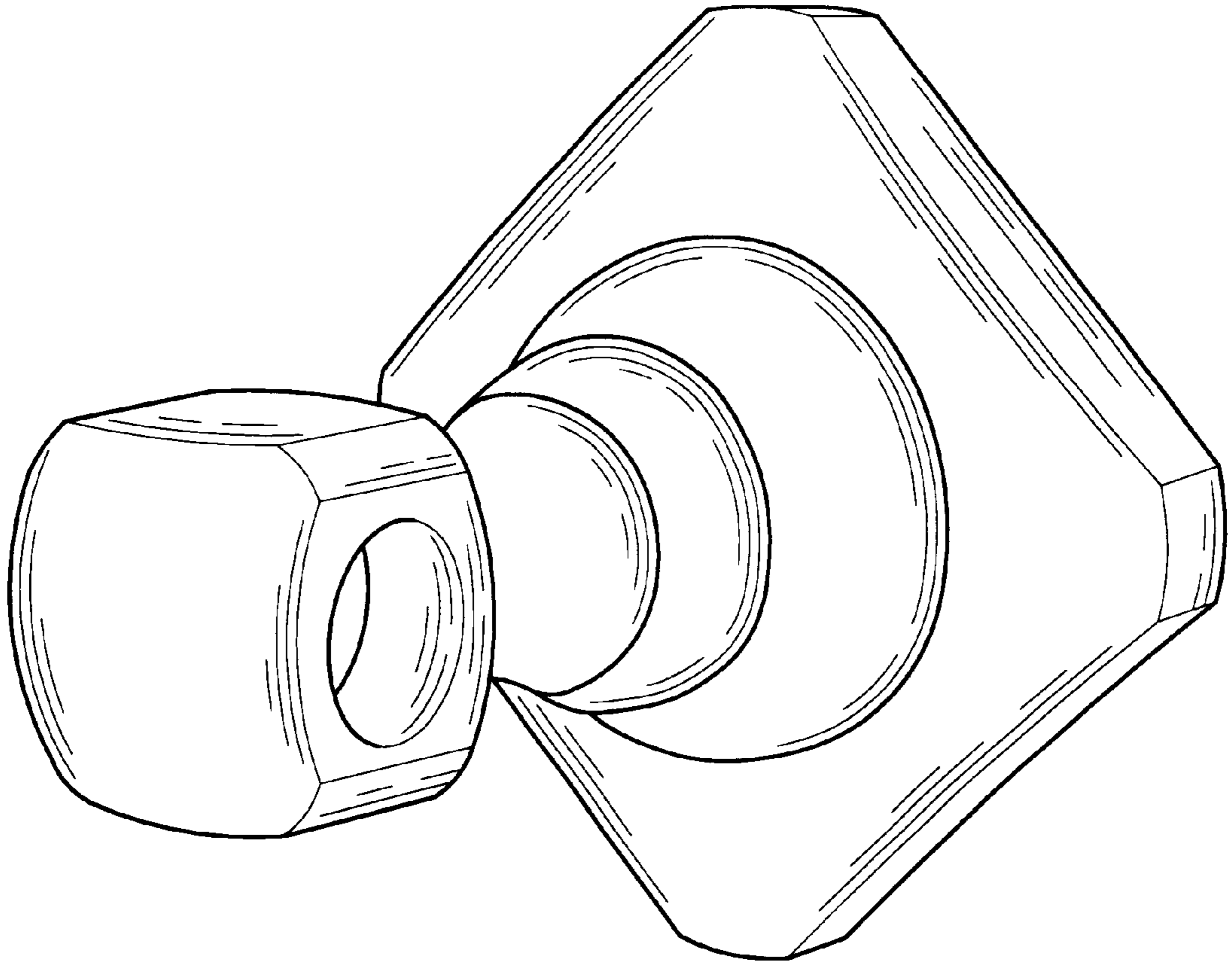


FIG.1

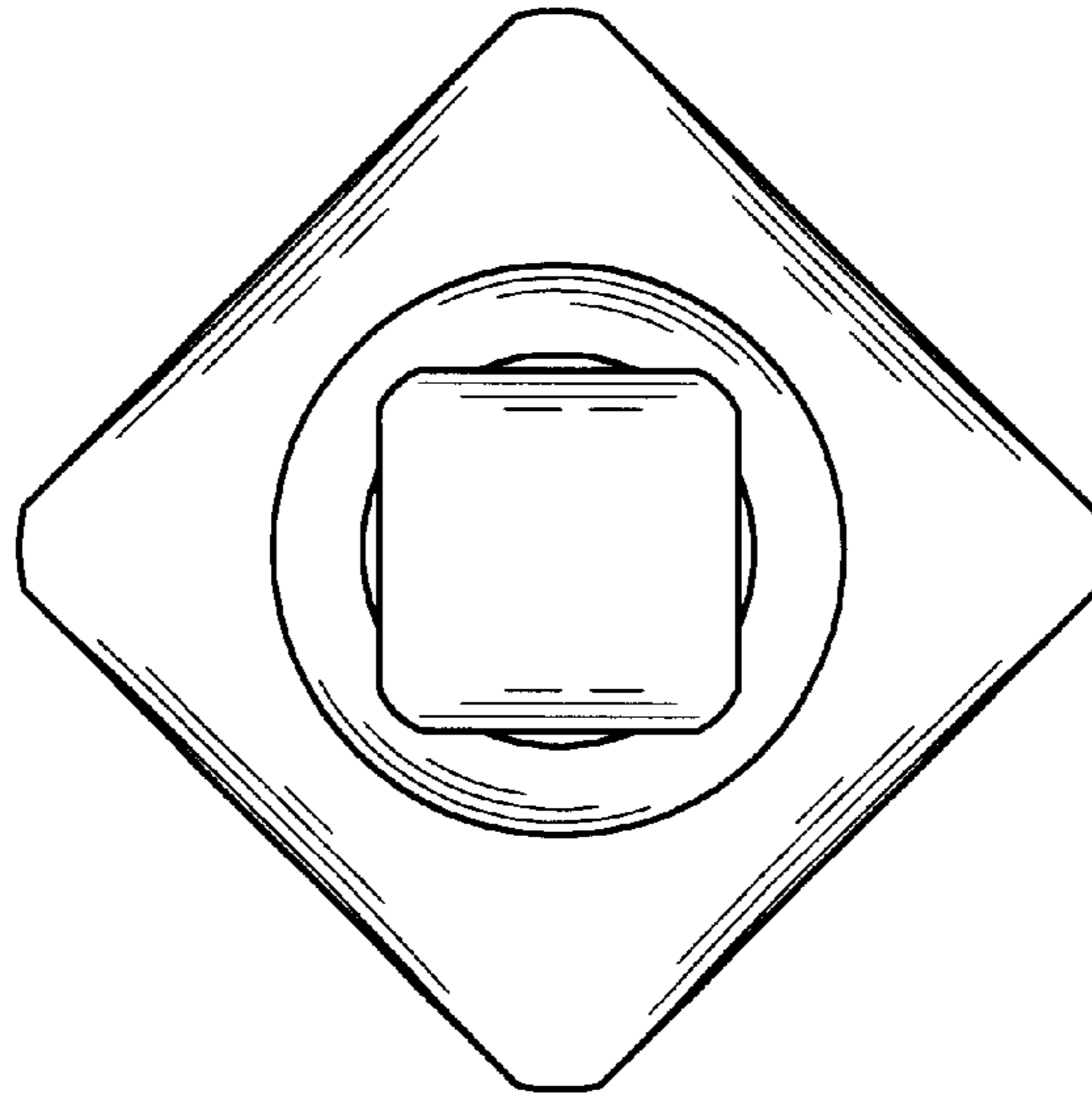


FIG. 2

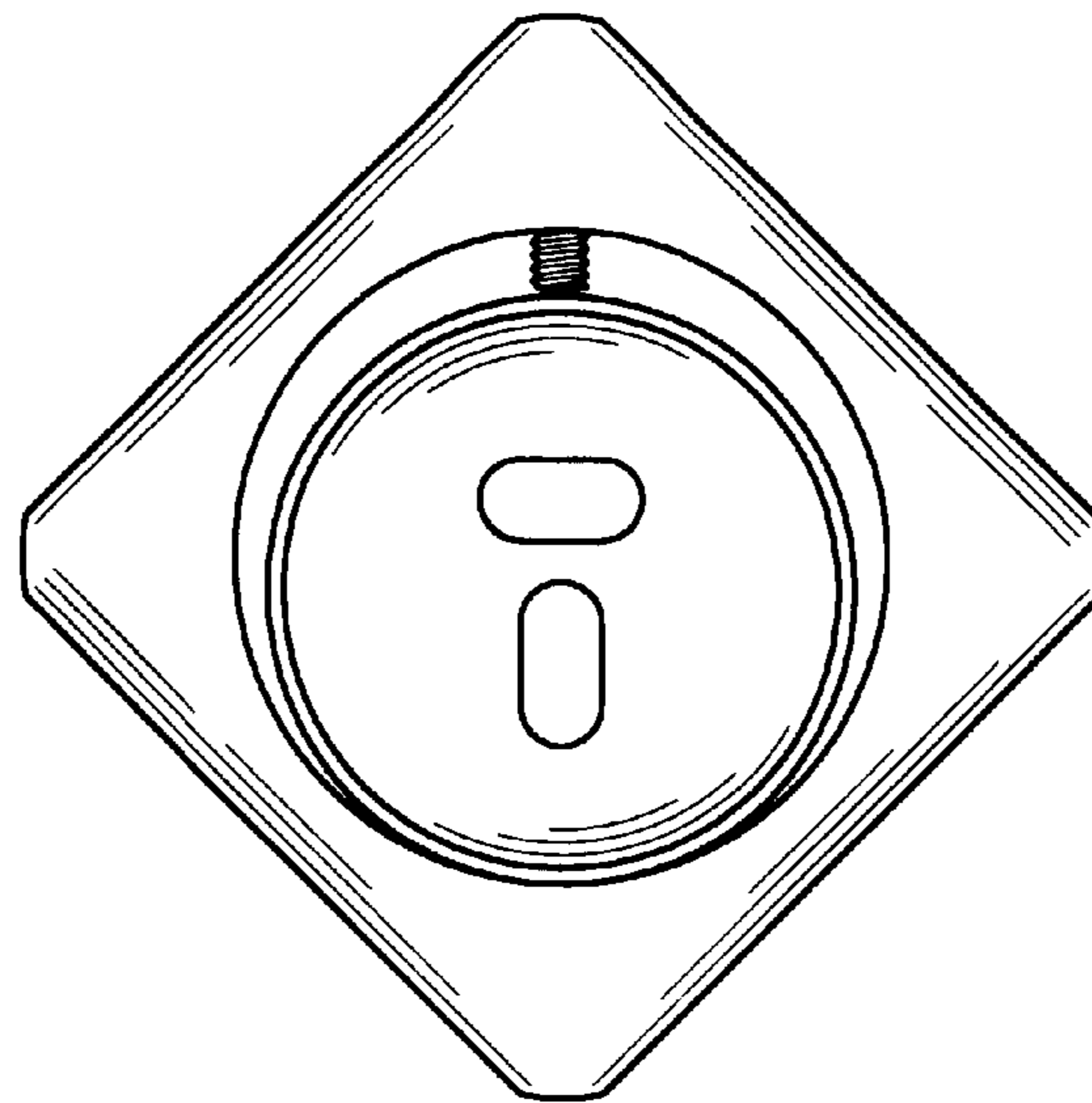


FIG. 3

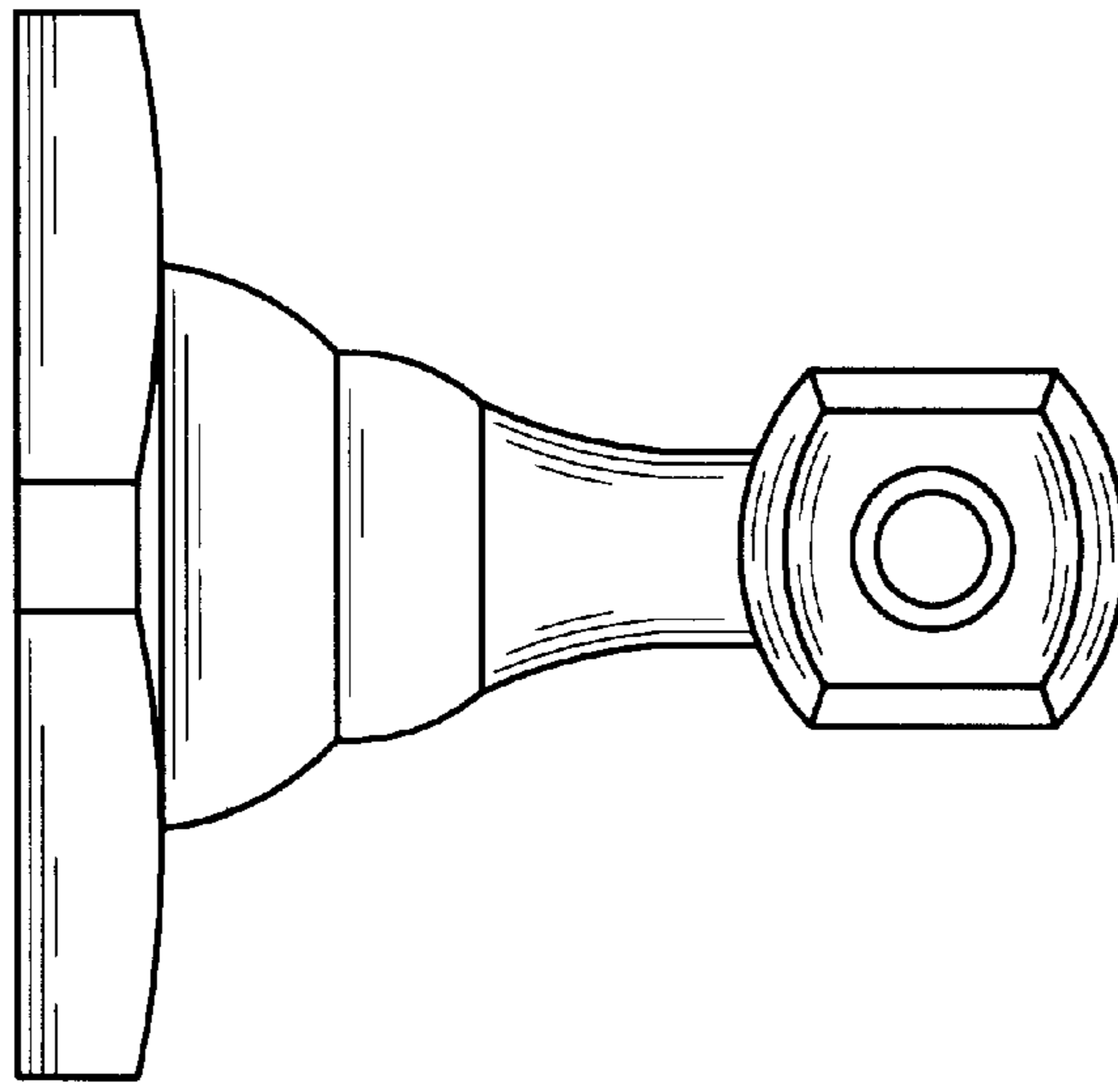


FIG. 4

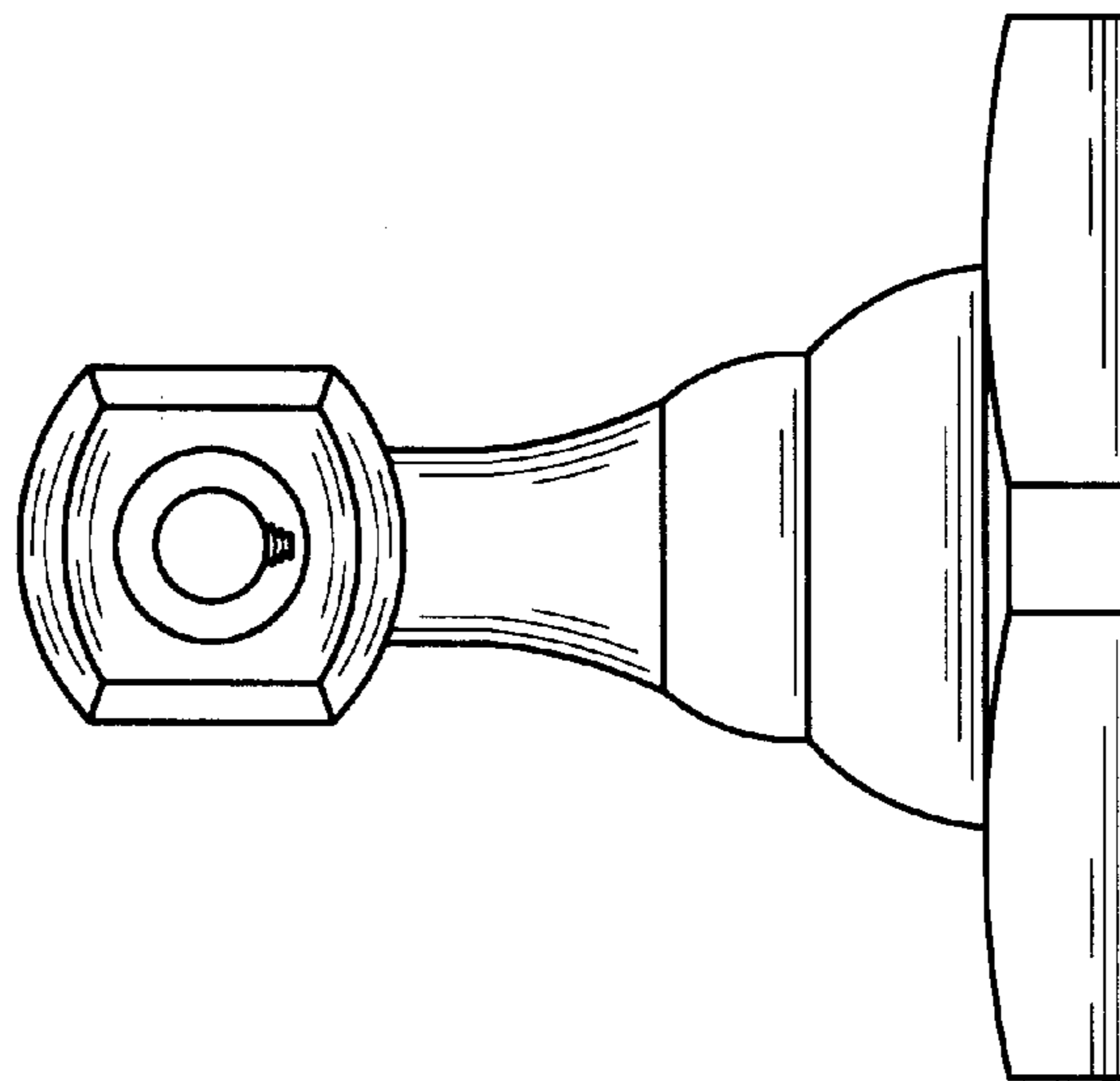


FIG. 5

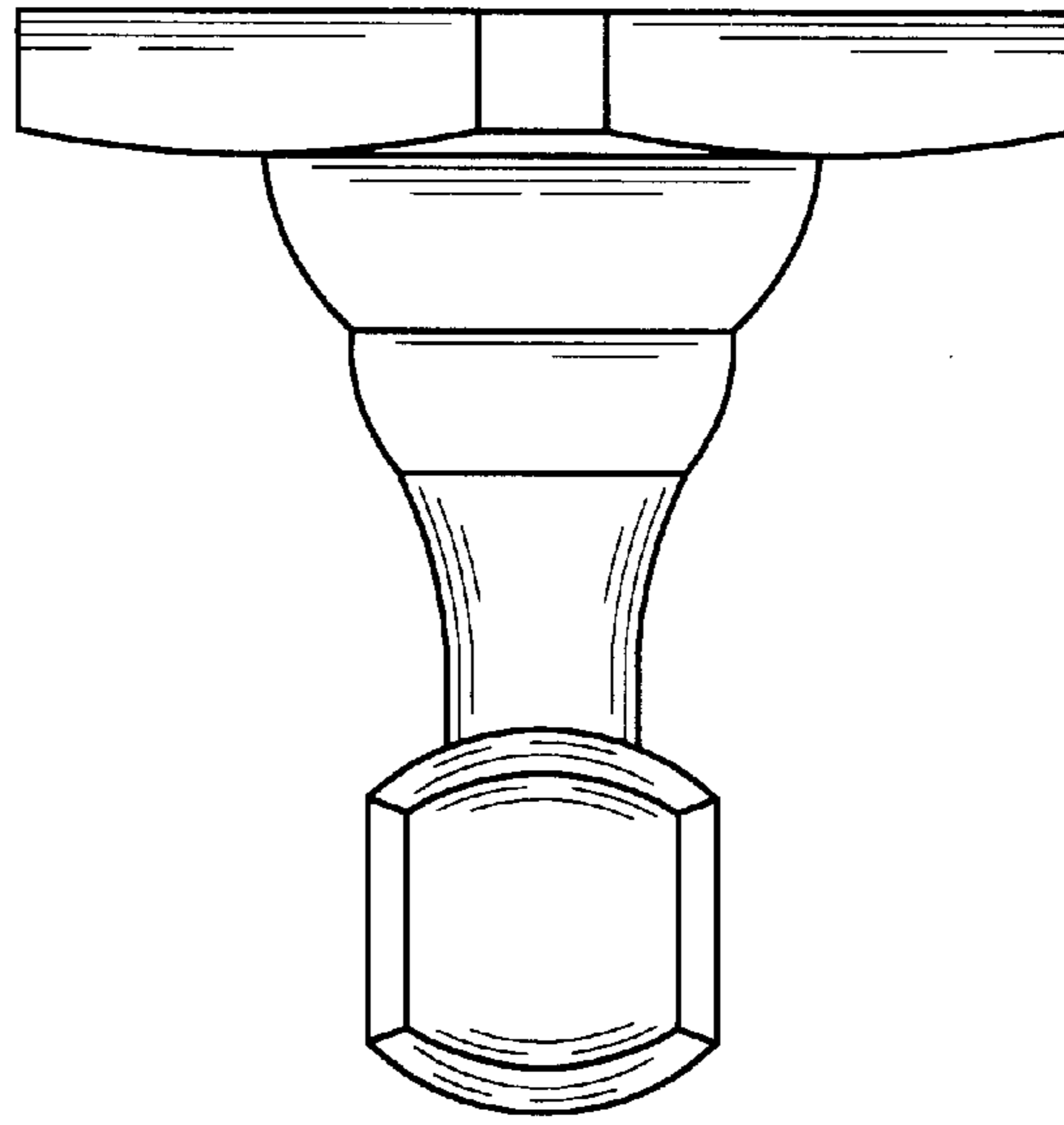


FIG. 6

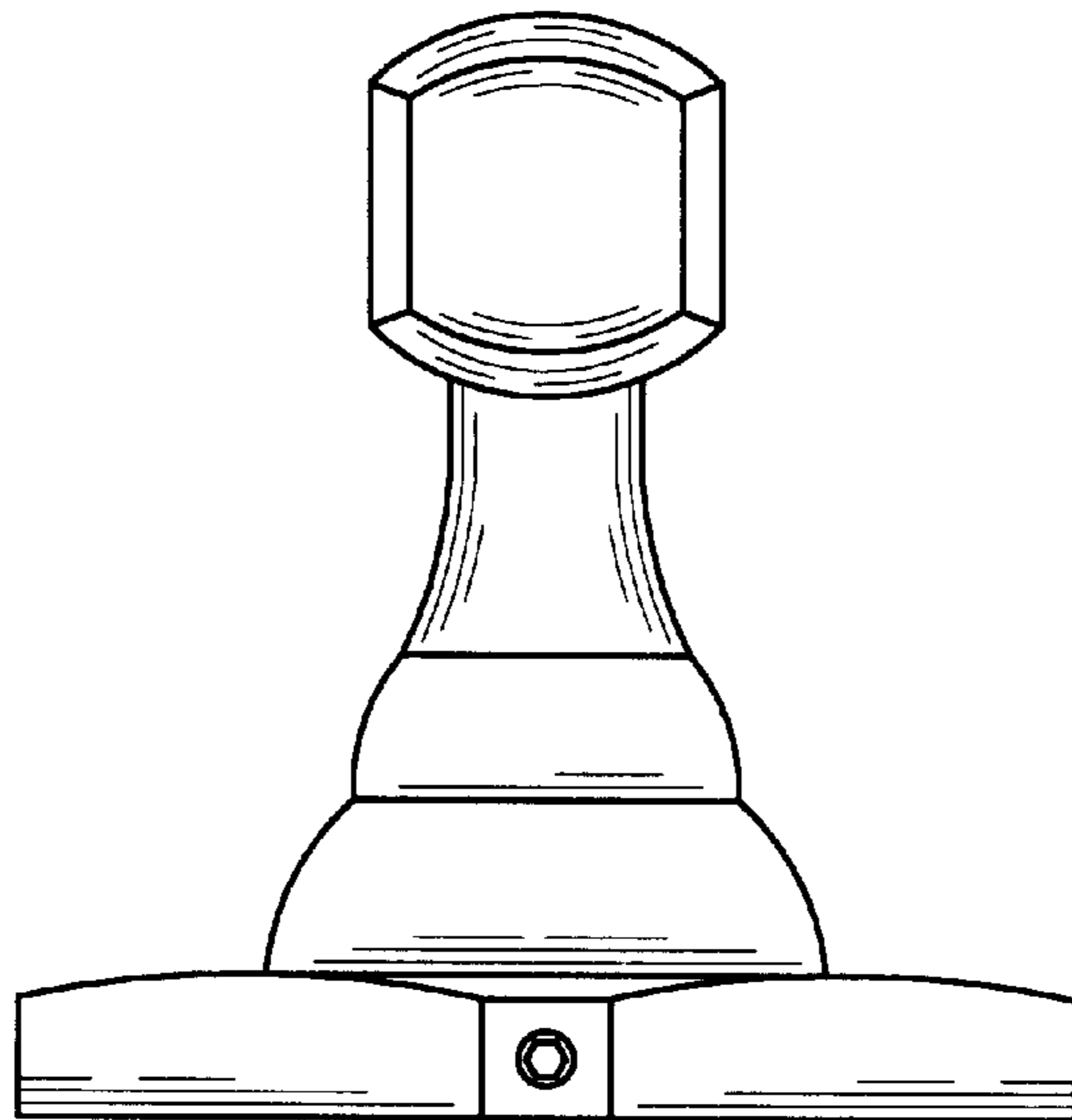


FIG. 7

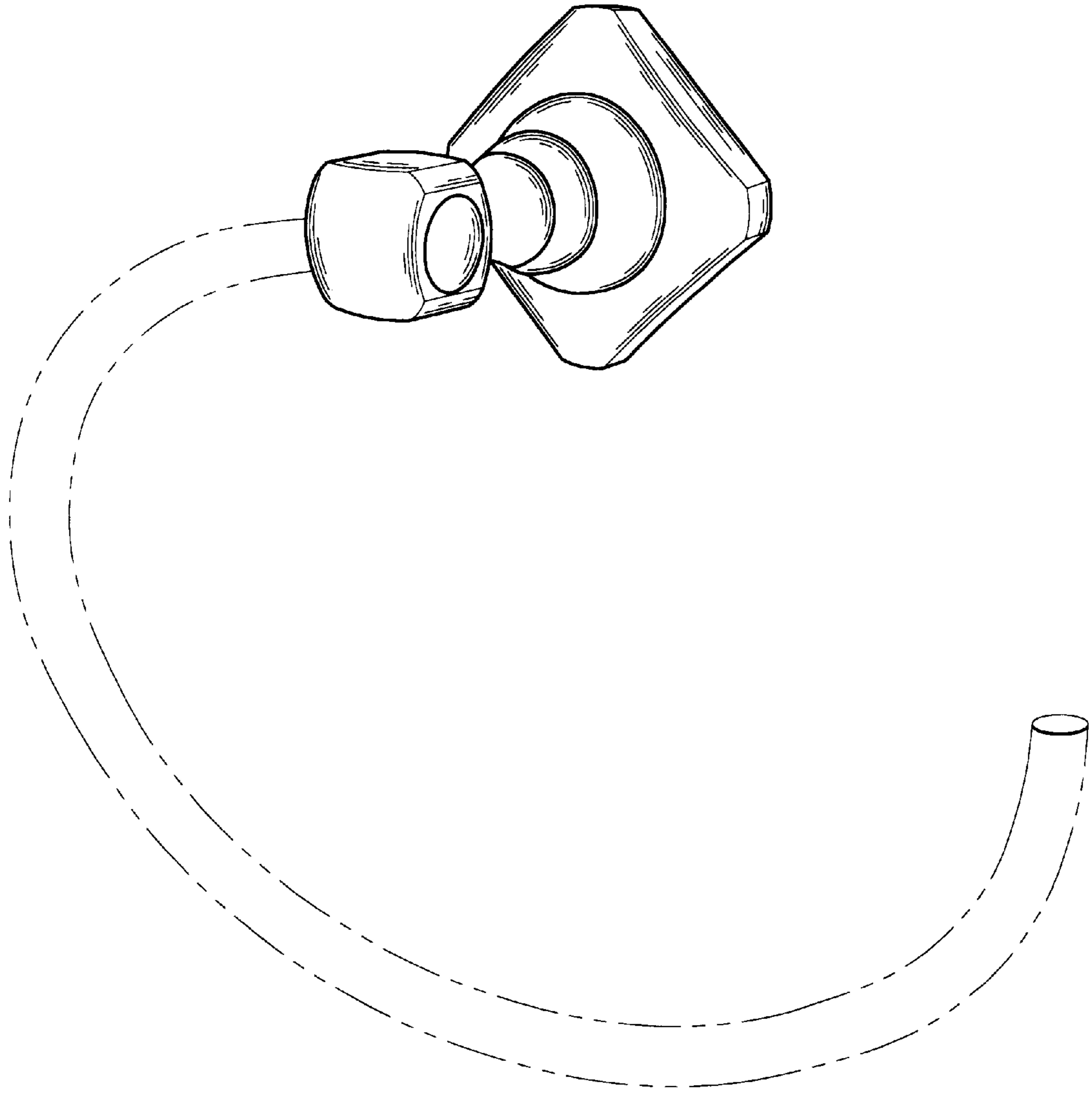


FIG.8