



US00D476180S

(12) **United States Design Patent**
Lenger

(10) **Patent No.:** **US D476,180 S**

(45) **Date of Patent:** **** Jun. 24, 2003**

(54) **BED FRAME HEADBOARD CORNER**

(75) **Inventor:** **Sidney A. Lenger**, Kernersville, NC
(US)

(73) **Assignee:** **Schottenstein Stores Corporation**,
Columbus, OH (US)

(**) **Term:** **14 Years**

(21) **Appl. No.:** **29/161,833**

(22) **Filed:** **Jun. 5, 2002**

(51) **LOC (7) Cl.** **06-06**

(52) **U.S. Cl.** **D6/505**

(58) **Field of Search** D6/382, 386, 392,
D6/393-395, 505-508, 503; 5/53.1, 279.1,
280, 281, 907

(56) **References Cited**

U.S. PATENT DOCUMENTS

D26,597 S * 2/1897 Scott D6/393
2,508,506 A * 5/1950 Fridolph 5/279.1

D331,502 S * 12/1992 White D6/389
D374,133 S * 10/1996 Paus D6/393
D450,946 S * 11/2001 Vaaler D6/393
D460,634 S * 7/2002 Kreiss D6/393

* cited by examiner

Primary Examiner—Janice E. Seeger

(74) *Attorney, Agent, or Firm*—Wood, Herron & Evans,
LLP

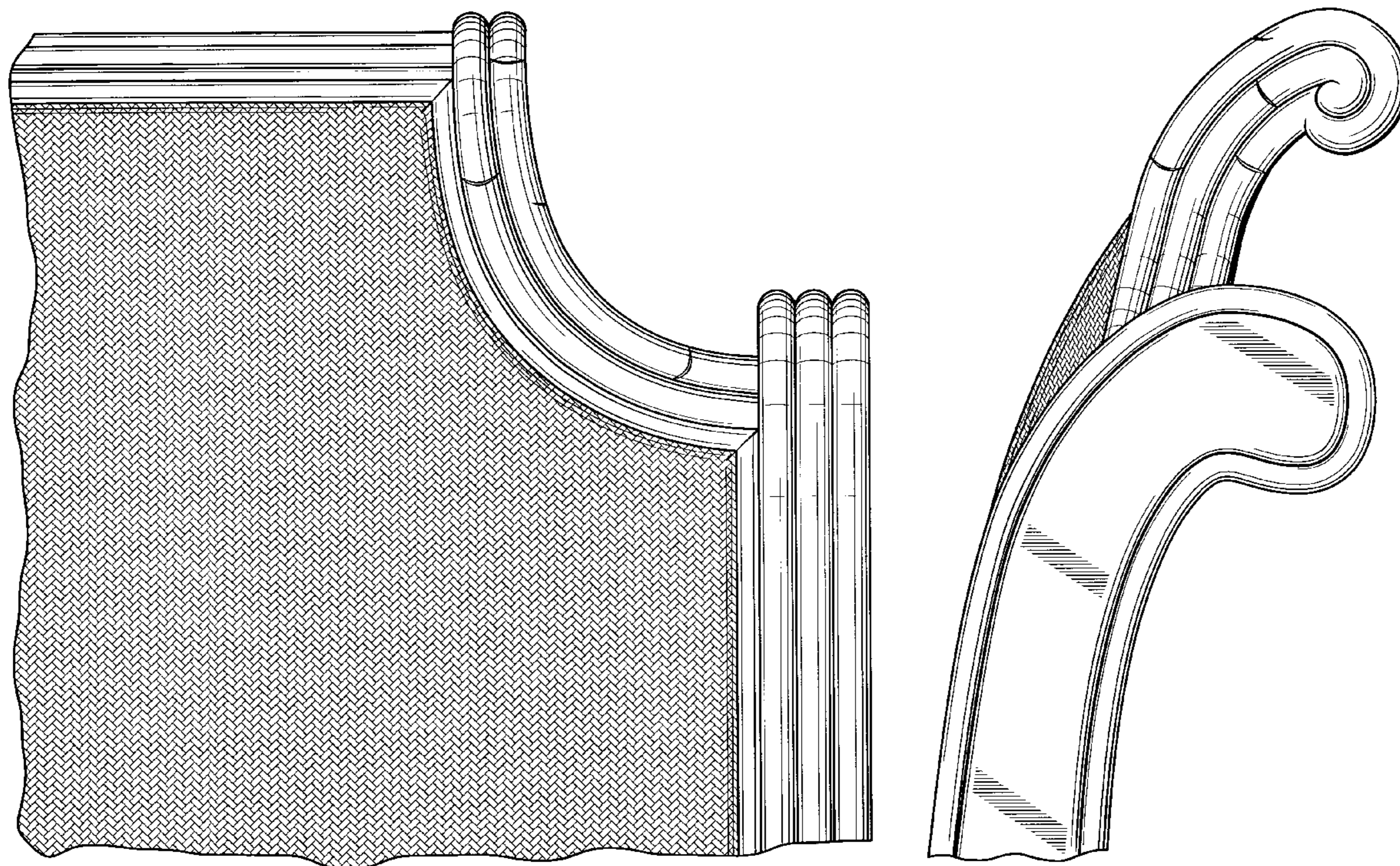
(57) **CLAIM**

The ornamental design for a bed frame headboard corner, as shown and described.

DESCRIPTION

FIG. 1 is a front elevational view of a bed frame headboard corner showing my new design;
FIG. 2 is a left-side elevational view thereof;
FIG. 3 is a rear elevational view thereof;
FIG. 4 is a right-side elevational view thereof;
FIG. 5 is a top plan view thereof; and,
FIG. 6 is a bottom plan view thereof.

1 Claim, 3 Drawing Sheets



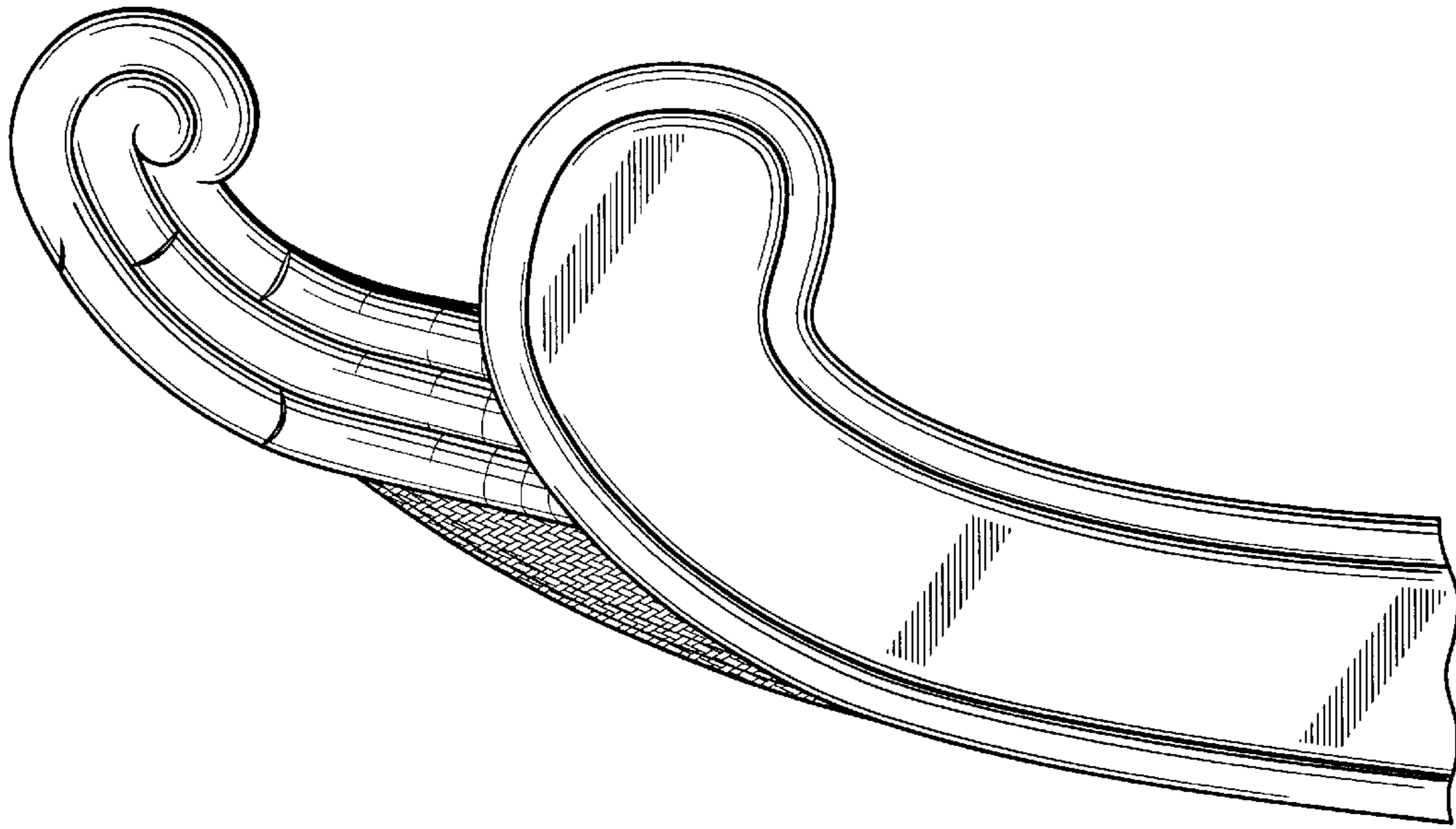


FIG. 2

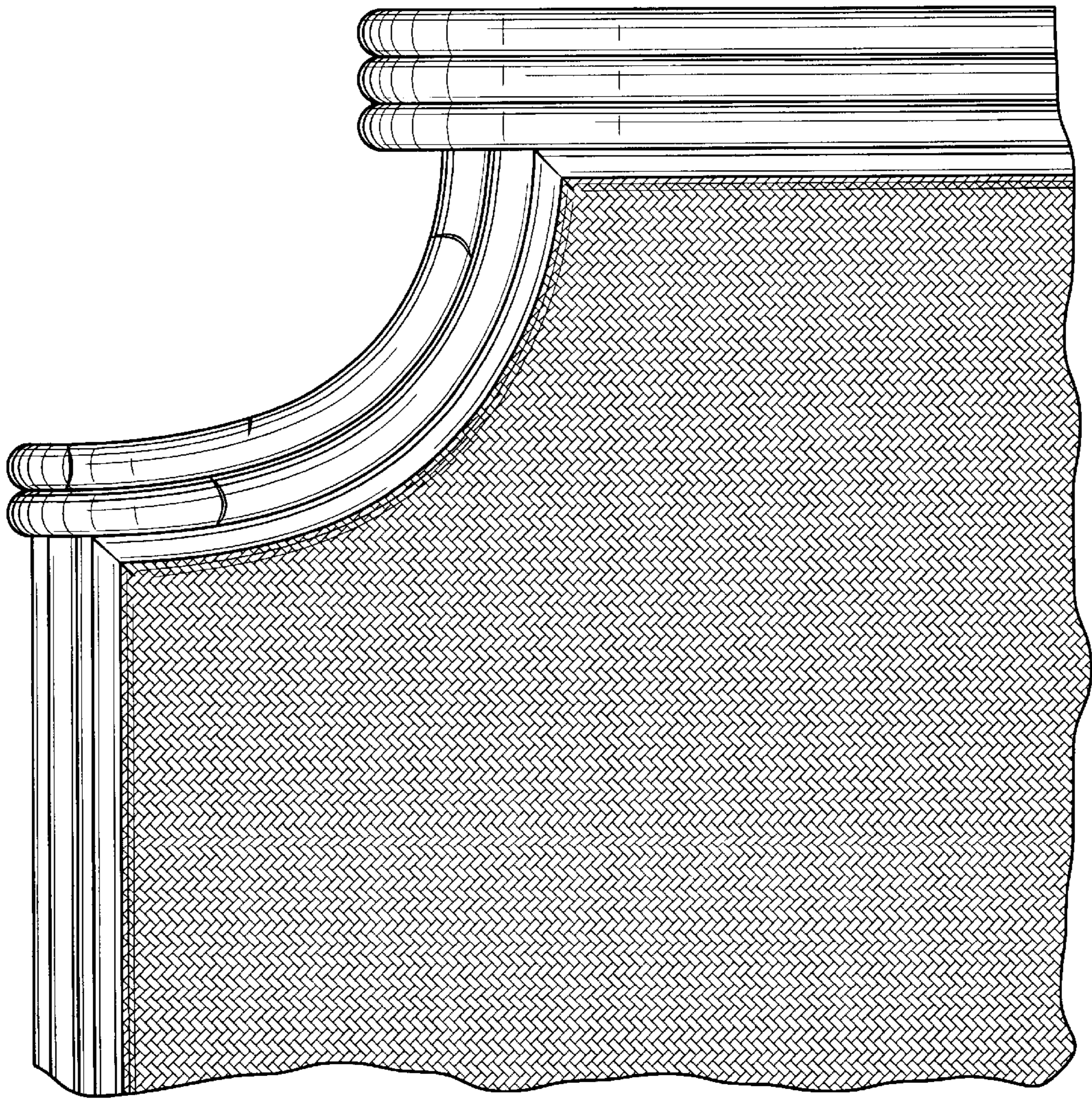


FIG. 1

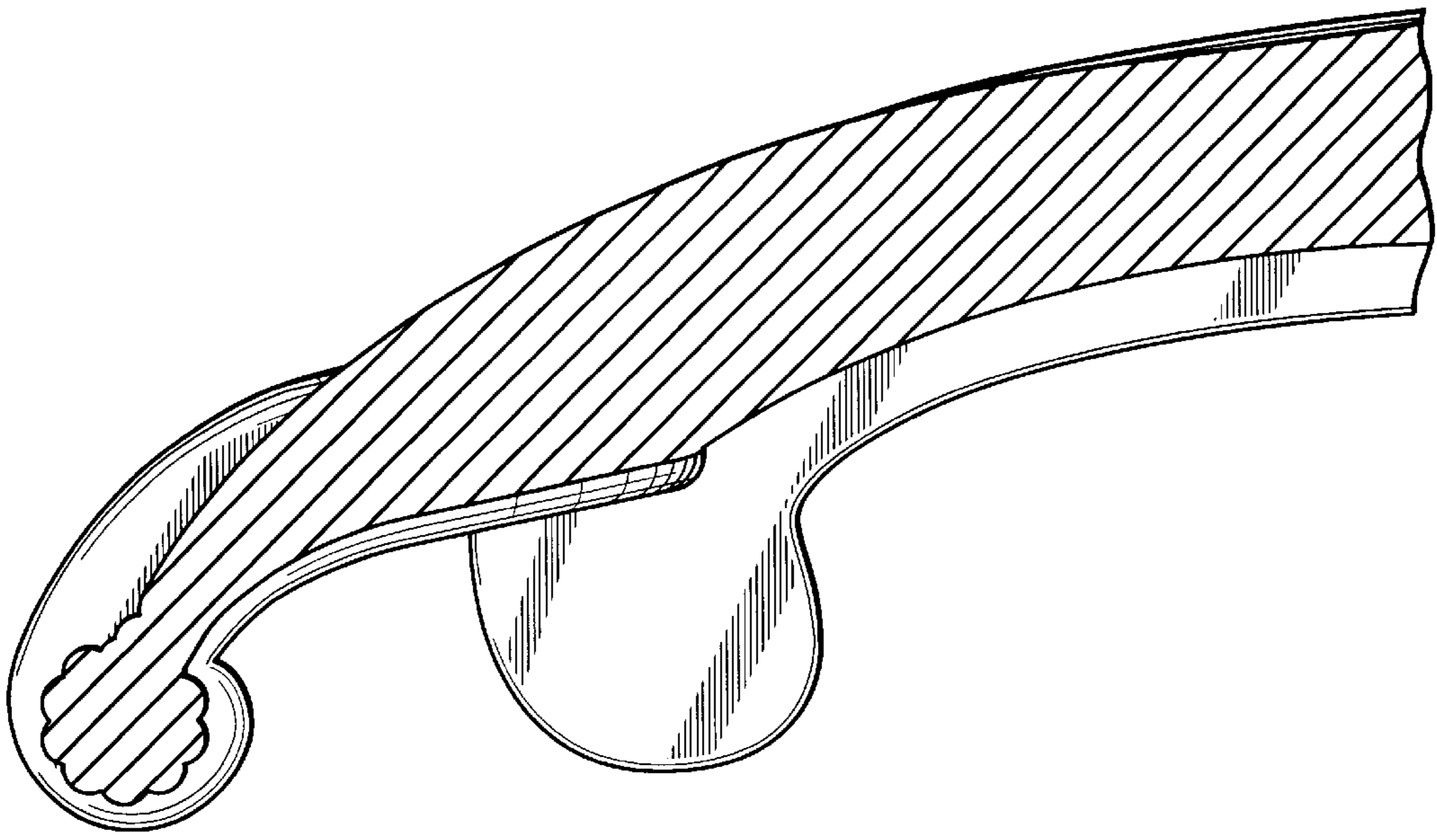


FIG. 4

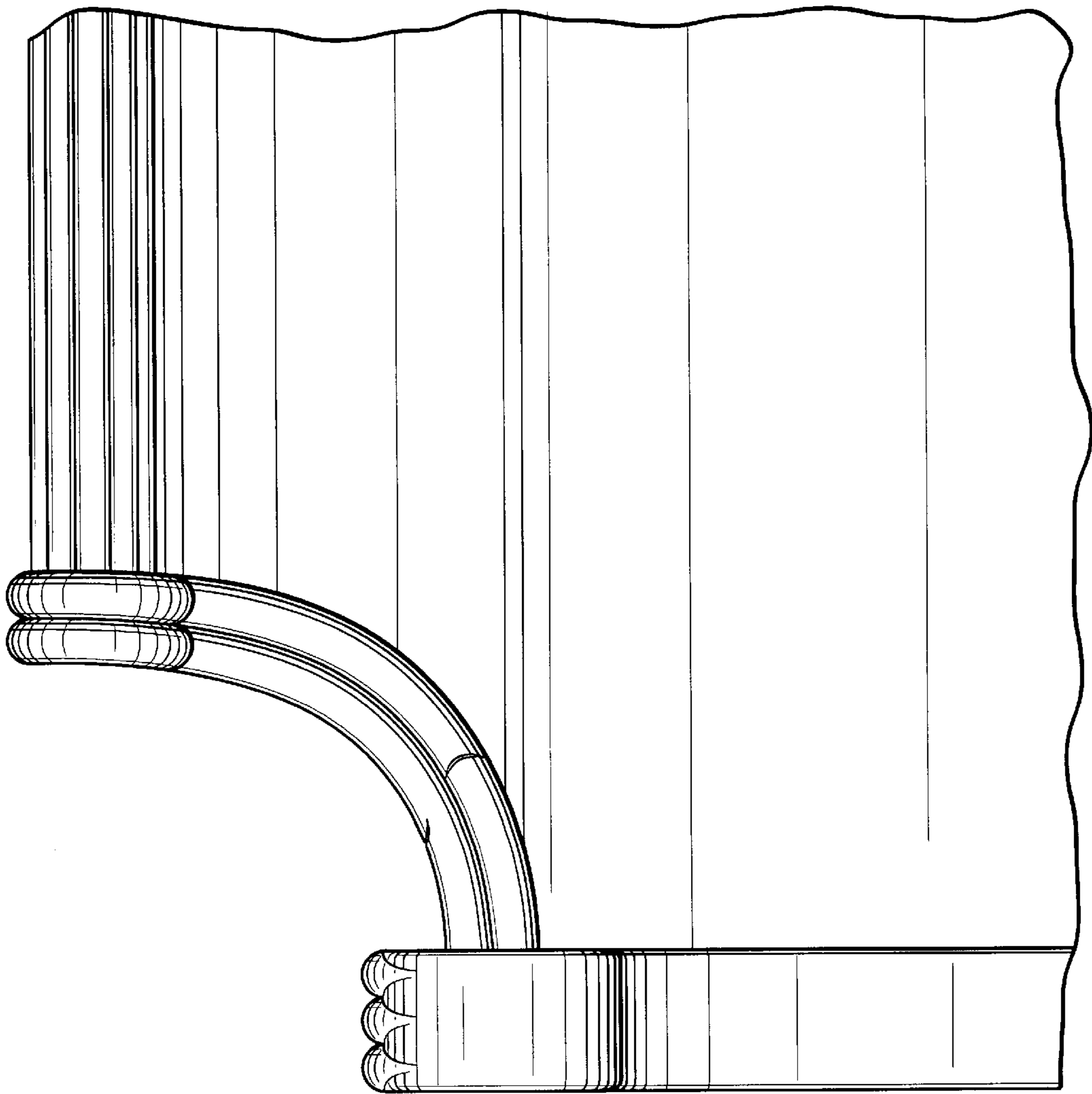


FIG. 3

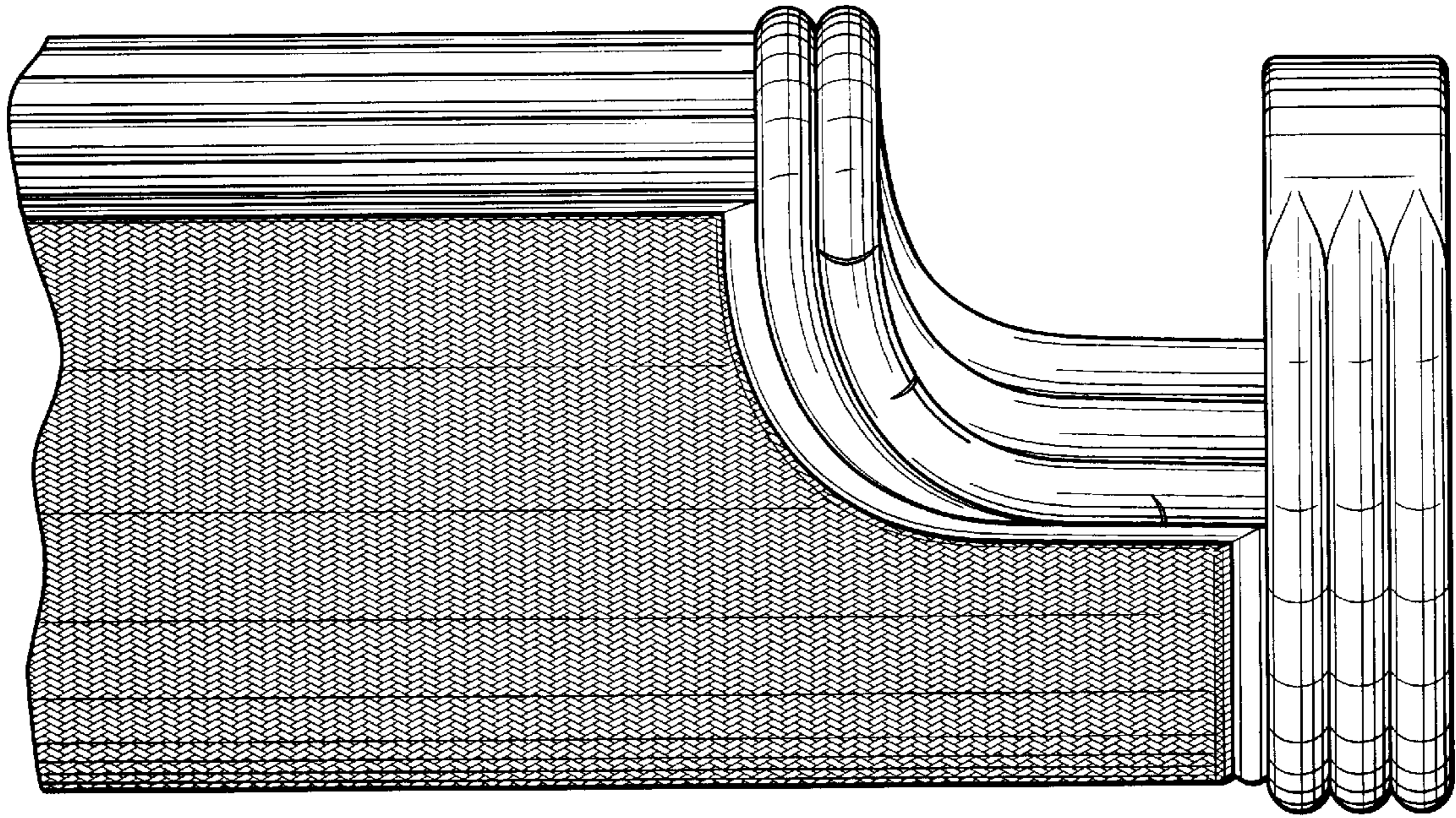


FIG. 5

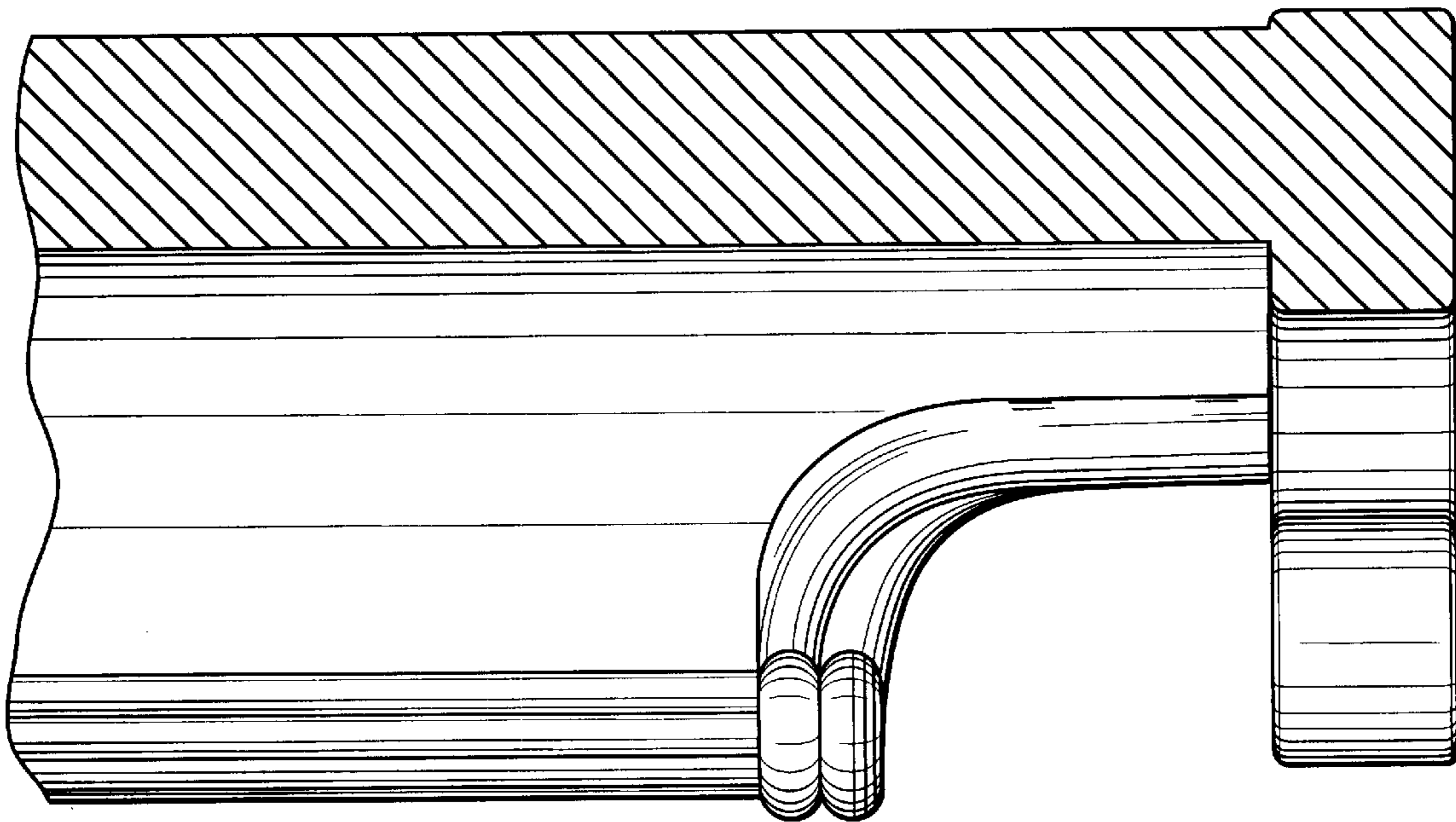


FIG. 6