



US00D476178S

(12) **United States Design Patent**
Schacht et al.

(10) **Patent No.:** **US D476,178 S**

(45) **Date of Patent:** **** Jun. 24, 2003**

(54) **WORK SURFACE SUPPORT ASSEMBLY**

(75) Inventors: **William Frederick Schacht**, East Grand Rapids, MI (US); **Linda Elizabeth Chesser**, East Grand Rapids, MI (US)

(73) Assignee: **Nucraft Furniture Co.**, Comstock Park, MI (US)

(**) Term: **14 Years**

(21) Appl. No.: **29/162,041**

(22) Filed: **Jun. 7, 2002**

(51) **LOC (7) Cl.** **06-06**

(52) **U.S. Cl.** **D6/495**

(58) **Field of Search** D6/480-489, 495, D6/499, 429; 108/129, 153.1, 155, 156, 157.1, 161; 248/188, 188.1, 188.8

(56) **References Cited**

U.S. PATENT DOCUMENTS

269,237 A	6/1983	Burdick	
308,444 A	6/1990	Burdick	
D367,193 S	* 2/1996	Dame et al. D6/495
5,836,365 A	* 11/1998	Derecktor 108/131 X
D403,898 S	* 1/1999	Arnegger D6/480
5,878,673 A	3/1999	Kramer et al.	

OTHER PUBLICATIONS

Sourcebook of Modern Furniture, by J. Habegger and J. Osman, c1989, #841 table.*

* cited by examiner

Primary Examiner—Janice E. Seeger
(74) *Attorney, Agent, or Firm*—Van Dyke, Gardner, Linn & Burkhart, LLP

(57) **CLAIM**

The ornamental design for a work surface support assembly, as shown and described.

DESCRIPTION

FIG. 1 is a perspective view of the work surface support assembly showing our new design, wherein two illustrative work surfaces and an end panel for supporting one end of the assembly are illustrated in phantom to depict an illustrative environment but form no part of the claimed design;

FIG. 2 is a plan view of the work surface support assembly of FIG. 1;

FIG. 3 is a side, elevational view of the work surface support assembly of FIG. 1, the other side elevational view being a mirror image;

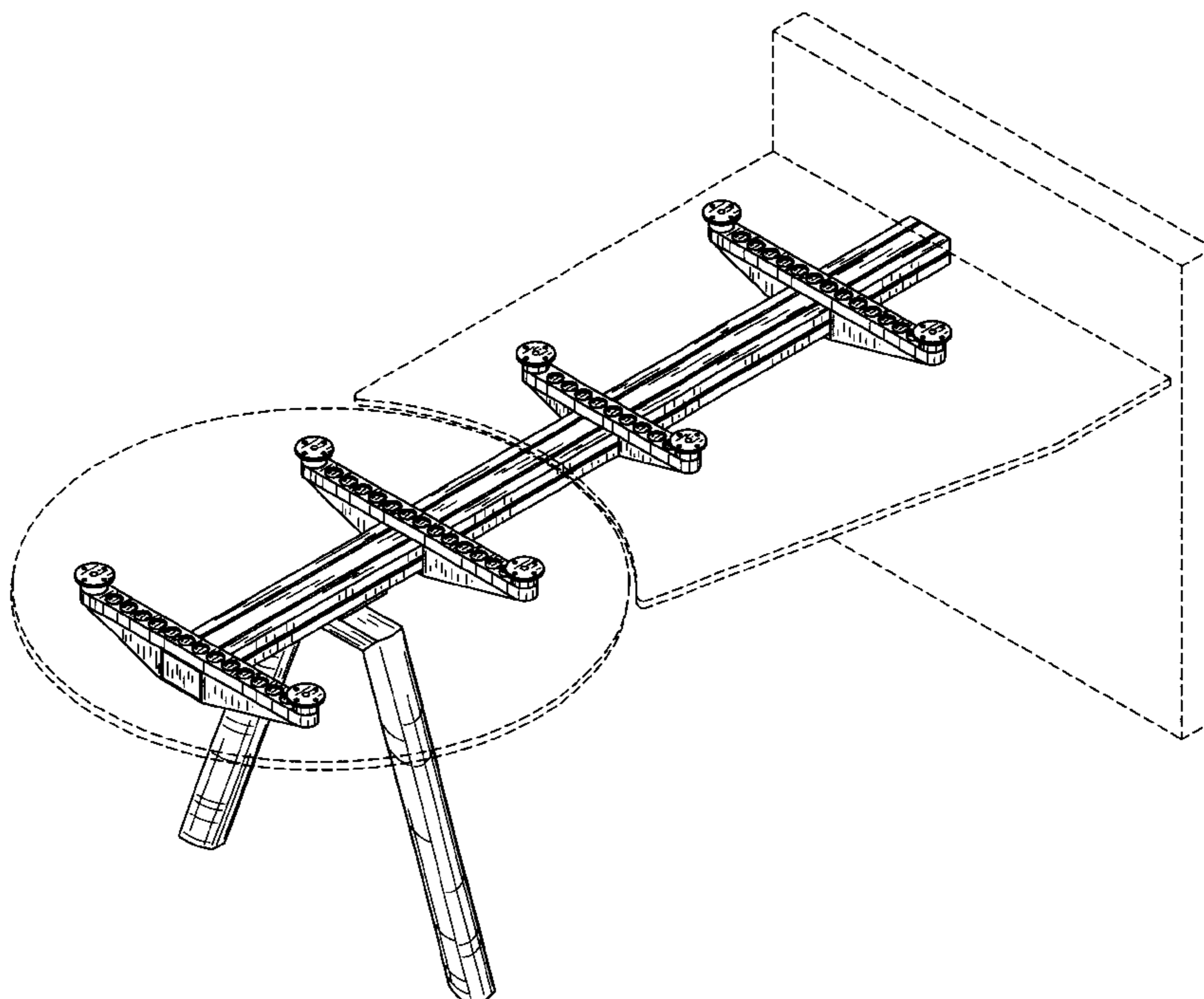
FIG. 4 is a bottom view of the work surface support assembly of FIG. 1;

Fig. 5 is a front, elevational view of the work surface support assembly of FIG. 1;

FIG. 6 is a rear, elevational view of the work surface support assembly of FIG. 1; and,

FIG. 7 is an enlarged, partial rear, elevational view of the work surface support assembly of FIG. 1.

1 Claim, 6 Drawing Sheets



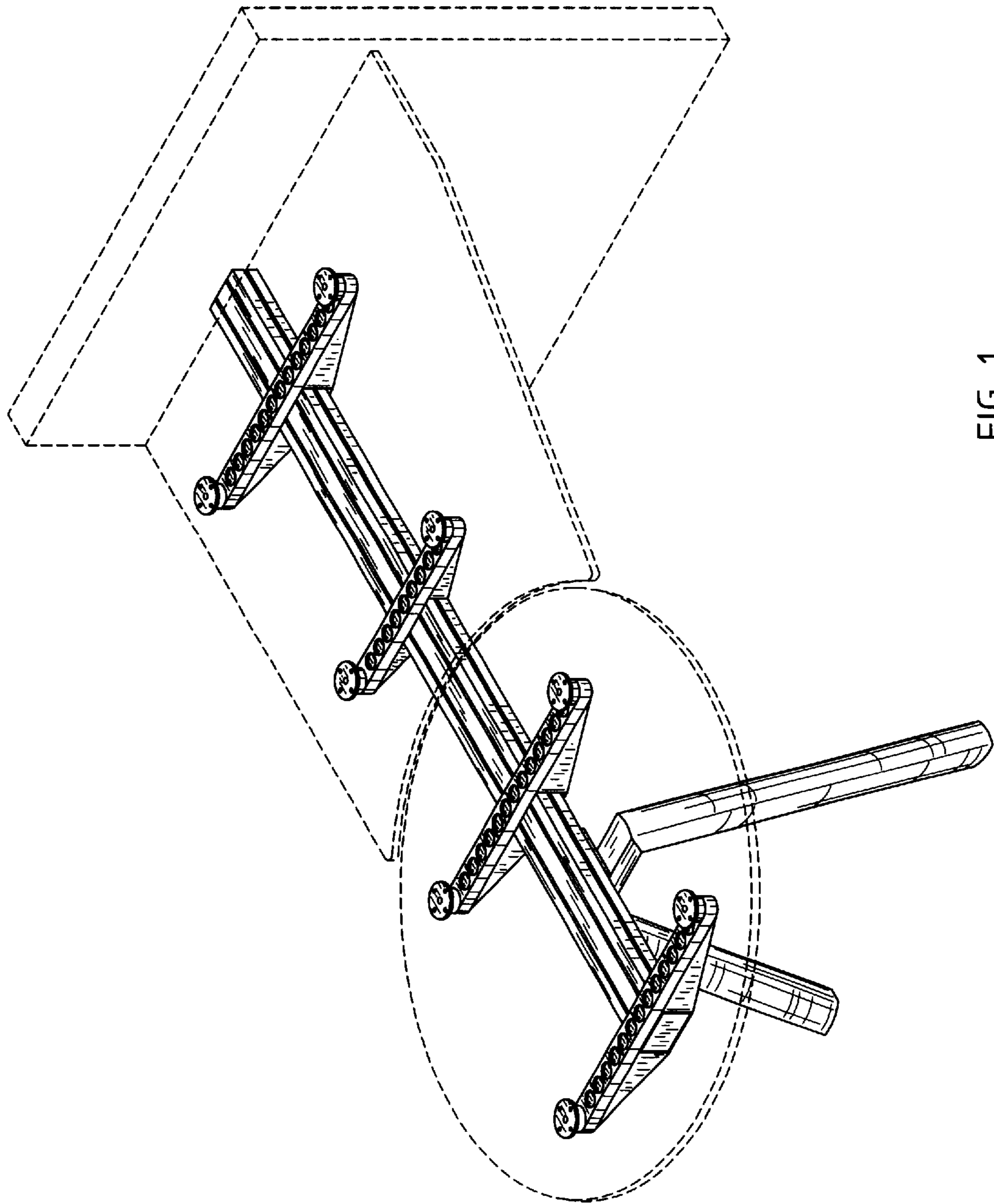


FIG. 1

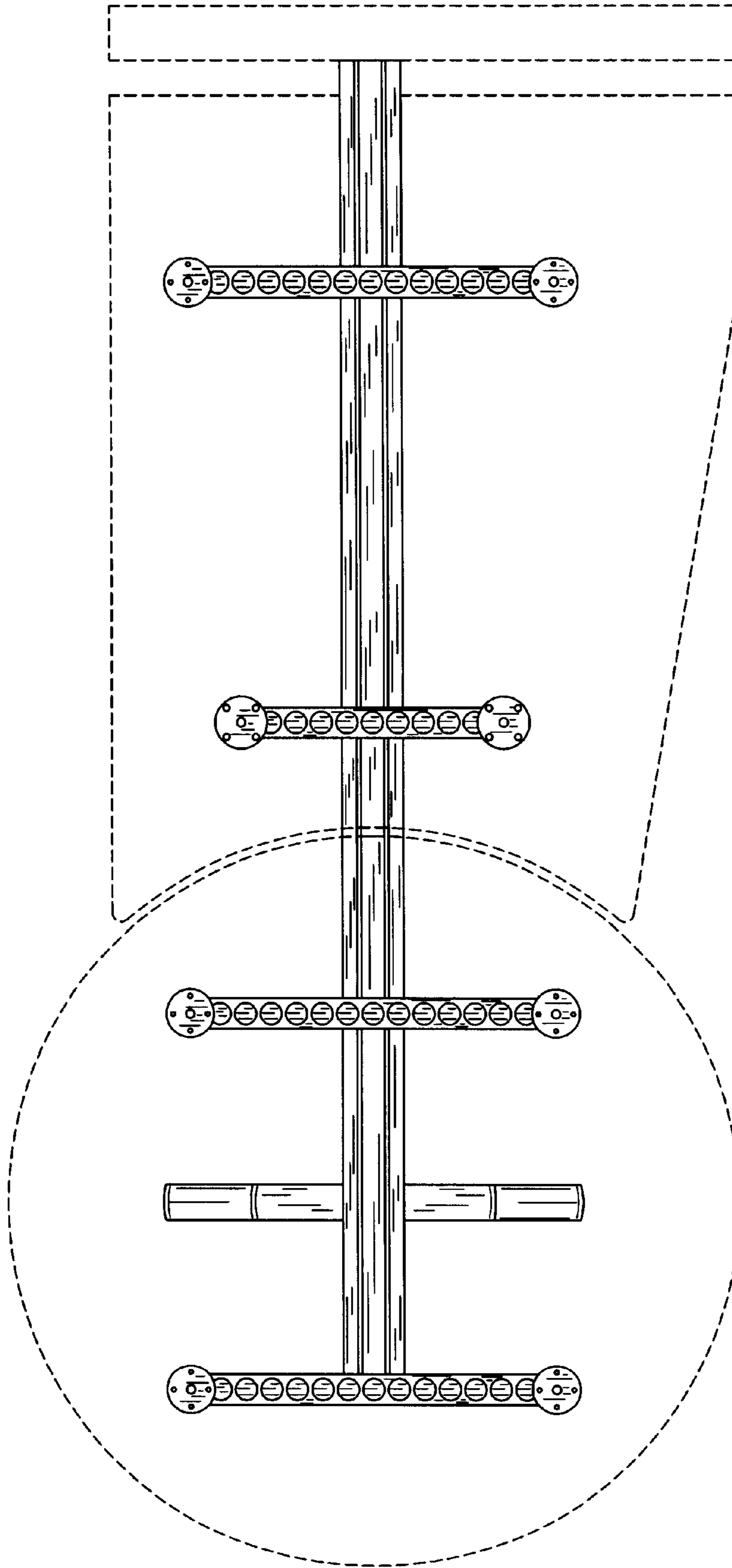


FIG. 2

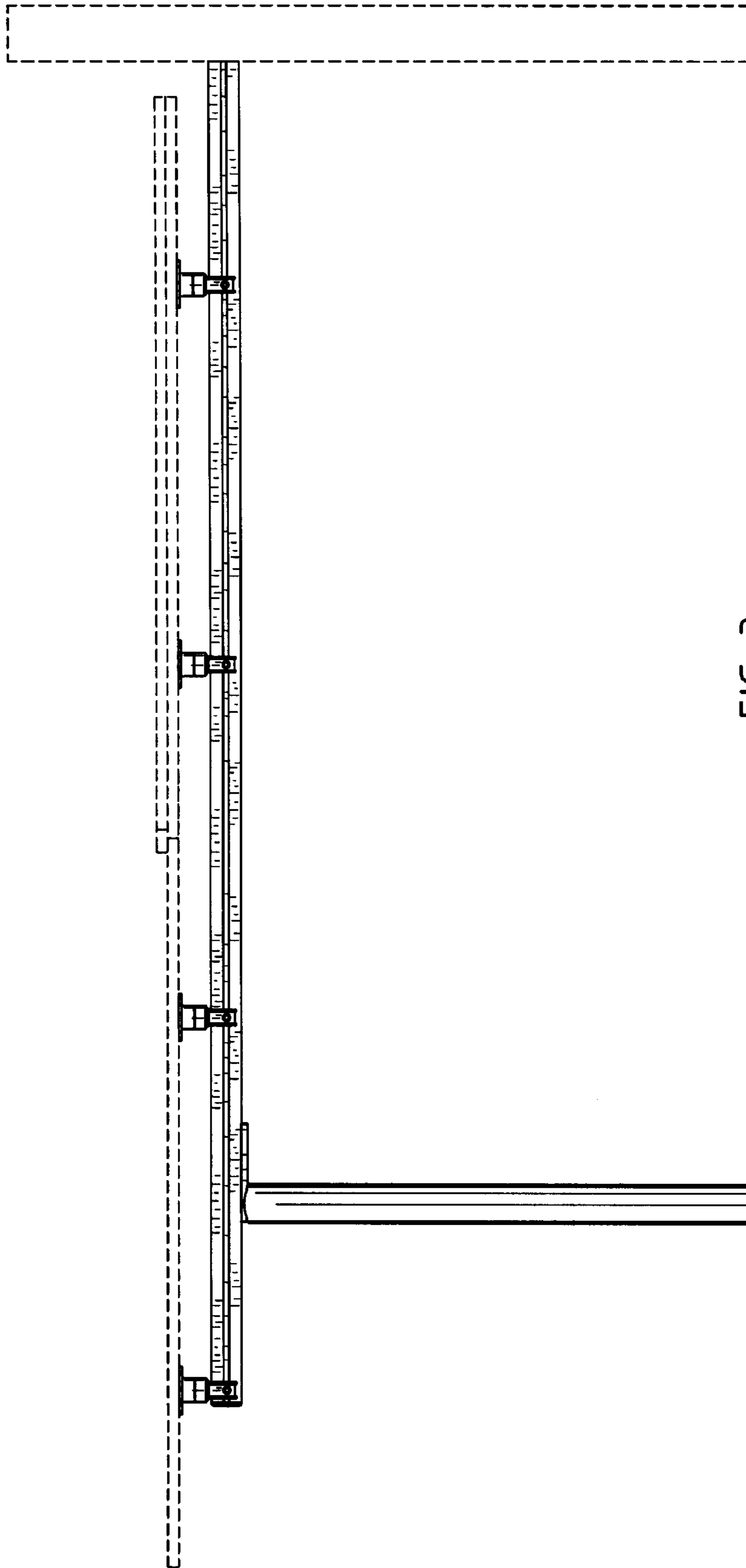


FIG. 3

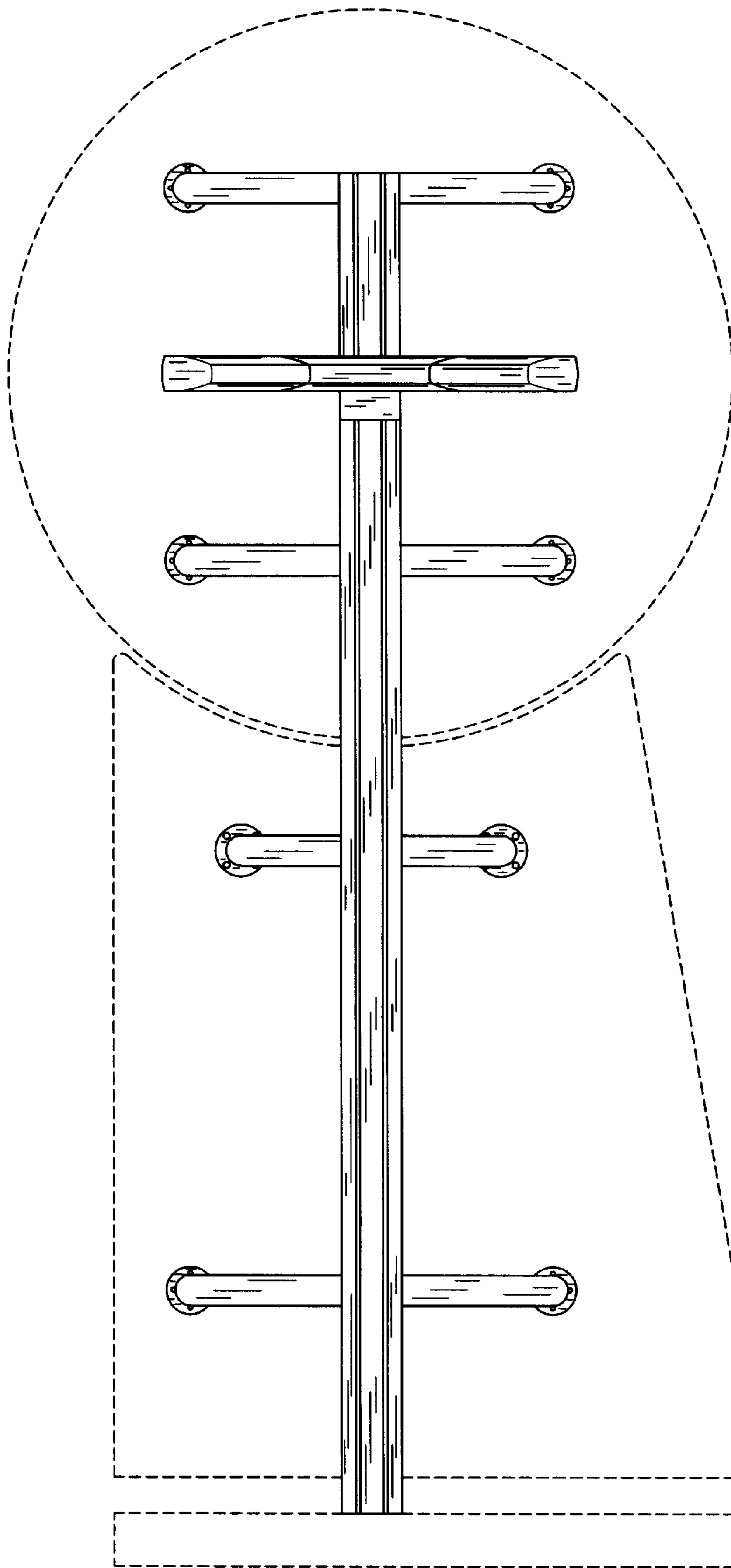


FIG. 4

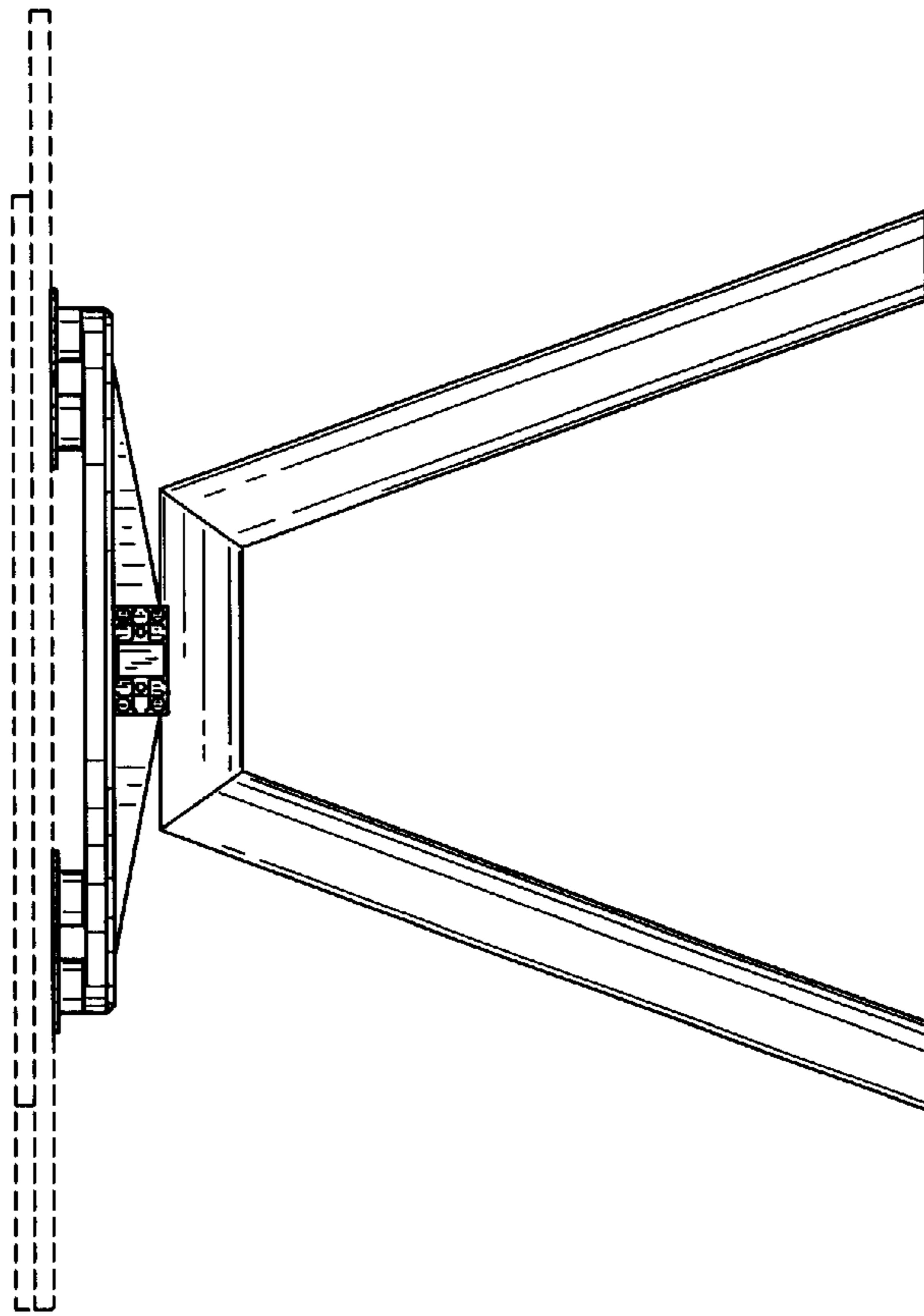


FIG. 6

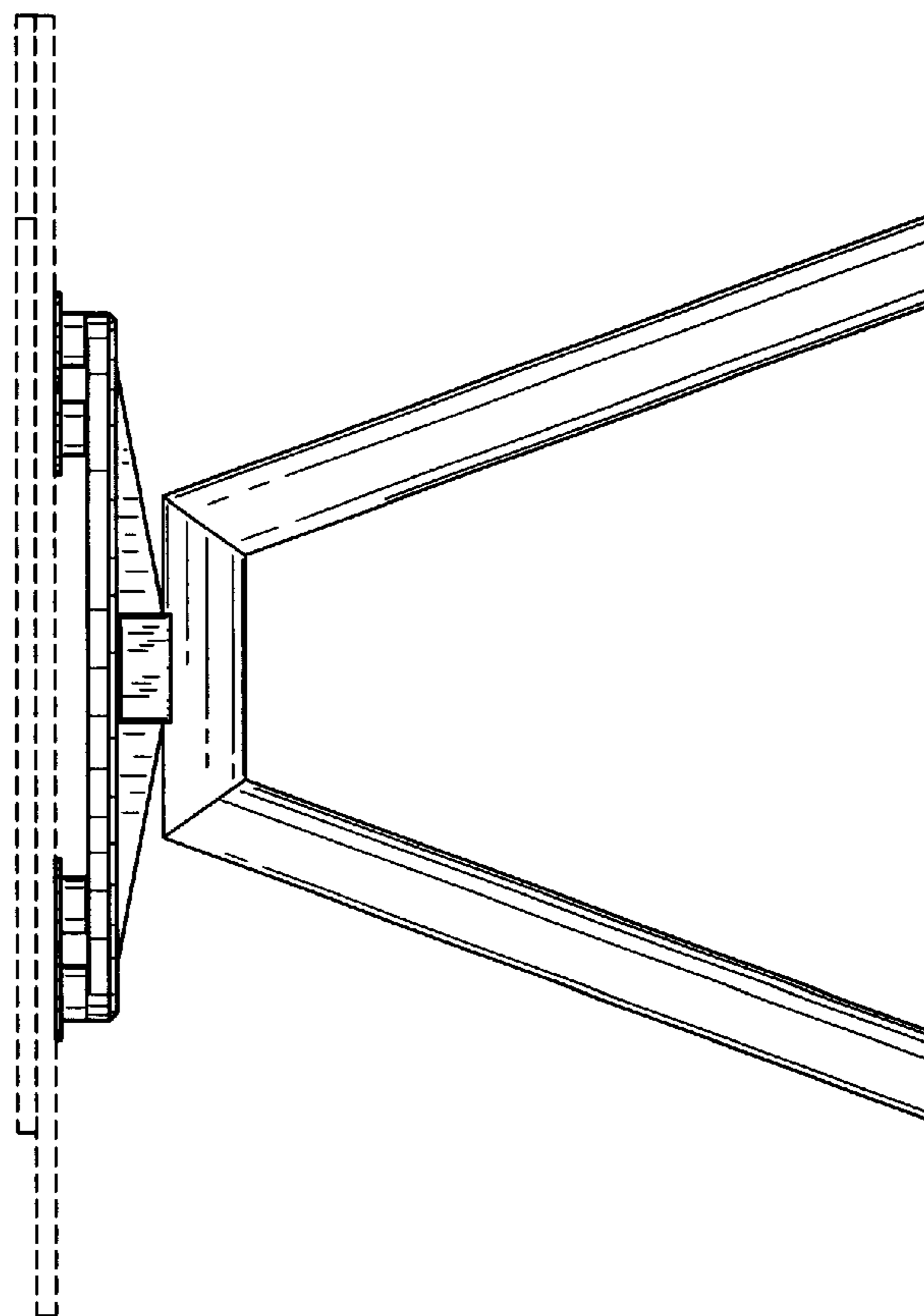


FIG. 5

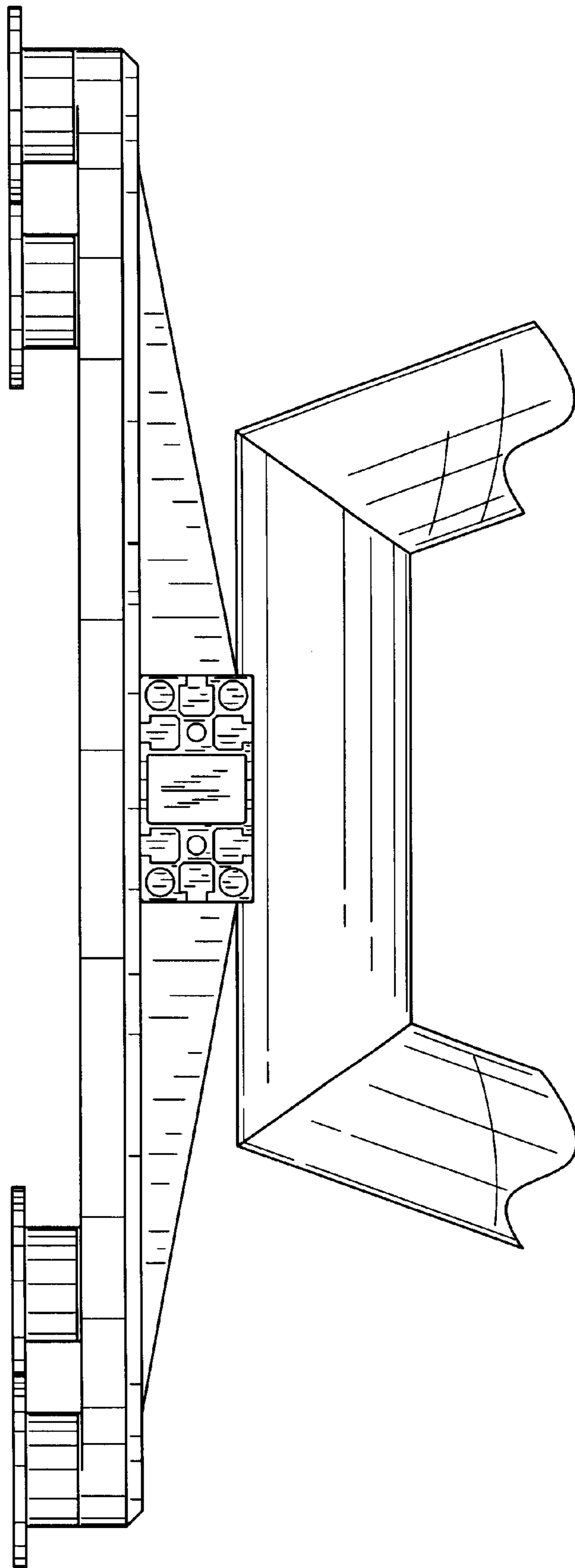


FIG. 7