



US00D476177S

(12) **United States Design Patent**  
**Hennessey**

(10) **Patent No.:** **US D476,177 S**

(45) **Date of Patent:** **\*\* Jun. 24, 2003**

(54) **STAND BASE**

D447,486 S \* 9/2001 Goto ..... D14/447  
D448,950 S \* 10/2001 McIveen ..... D6/449

(76) **Inventor:** **James R. Hennessey**, 7 Sunrise Hill  
Dr., West Hartford, CT (US) 06107

\* cited by examiner

(\*\*) **Term:** **14 Years**

*Primary Examiner*—Cathron C. Brooks  
(74) *Attorney, Agent, or Firm*—Ira S. Dorman

(21) **Appl. No.:** **29/143,501**

(57) **CLAIM**

(22) **Filed:** **Jun. 14, 2001**

The ornamental design for a stand base, as shown and described.

(51) **LOC (7) Cl.** ..... **06-06**

(52) **U.S. Cl.** ..... **D6/495**

(58) **Field of Search** ..... D6/310–312, 328,  
D6/329, 396, 408, 419, 420, 429, 449,  
462, 465–467, 471, 474, 491–495, 509–511;  
D14/227, 229; D17/22, 99; 211/13.1, 70.6,  
72, 73, 78, 85, 181.1, 182, 49.1, 132.1,  
135, 149; 248/371, 349.1, 923, 183.2, 921,  
176.1, 678, 174, 175, 917, 919; 84/421,  
744

**DESCRIPTION**

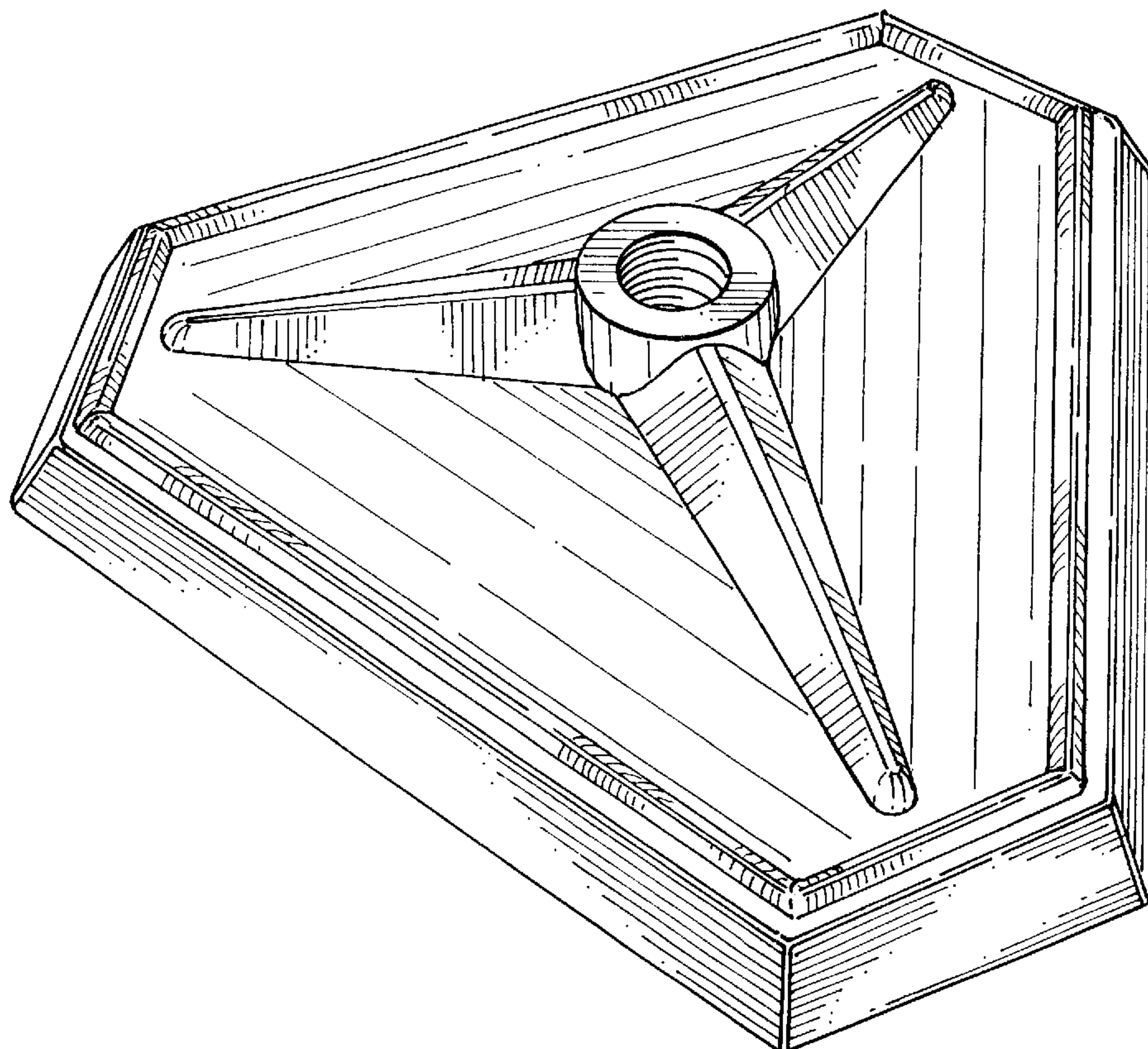
FIG. 1 is a perspective view of a stand base embodying the present invention;  
FIG. 2 is a plan view of the stand base;  
FIG. 3 is a bottom view of the stand base;  
FIG. 4 is a side elevational view of the stand base on a first axis, the stand base being identical when viewed on axes displaced 120° therefrom;  
FIG. 5 is a side elevational view of the stand base on a second axis displaced 60° from the first axis, the stand base being identical when viewed on axes displaced 120° from the second axis; and,  
FIG. 6 is a perspective view of the stand base, shown with a microphone stand which is shown in broken lines for illustrative purposes only and forms no part of the claimed design.

(56) **References Cited**

**U.S. PATENT DOCUMENTS**

- D270,026 S \* 8/1983 Whitford ..... D6/496
- D287,365 S \* 12/1986 Judd ..... D14/114
- D327,901 S \* 7/1992 Chen ..... D17/22
- D371,220 S \* 6/1996 Behrens ..... D6/466
- D414,305 S \* 9/1999 Rohn et al. .... D34/23 X
- D444,790 S \* 7/2001 Goto ..... D14/447

**1 Claim, 3 Drawing Sheets**



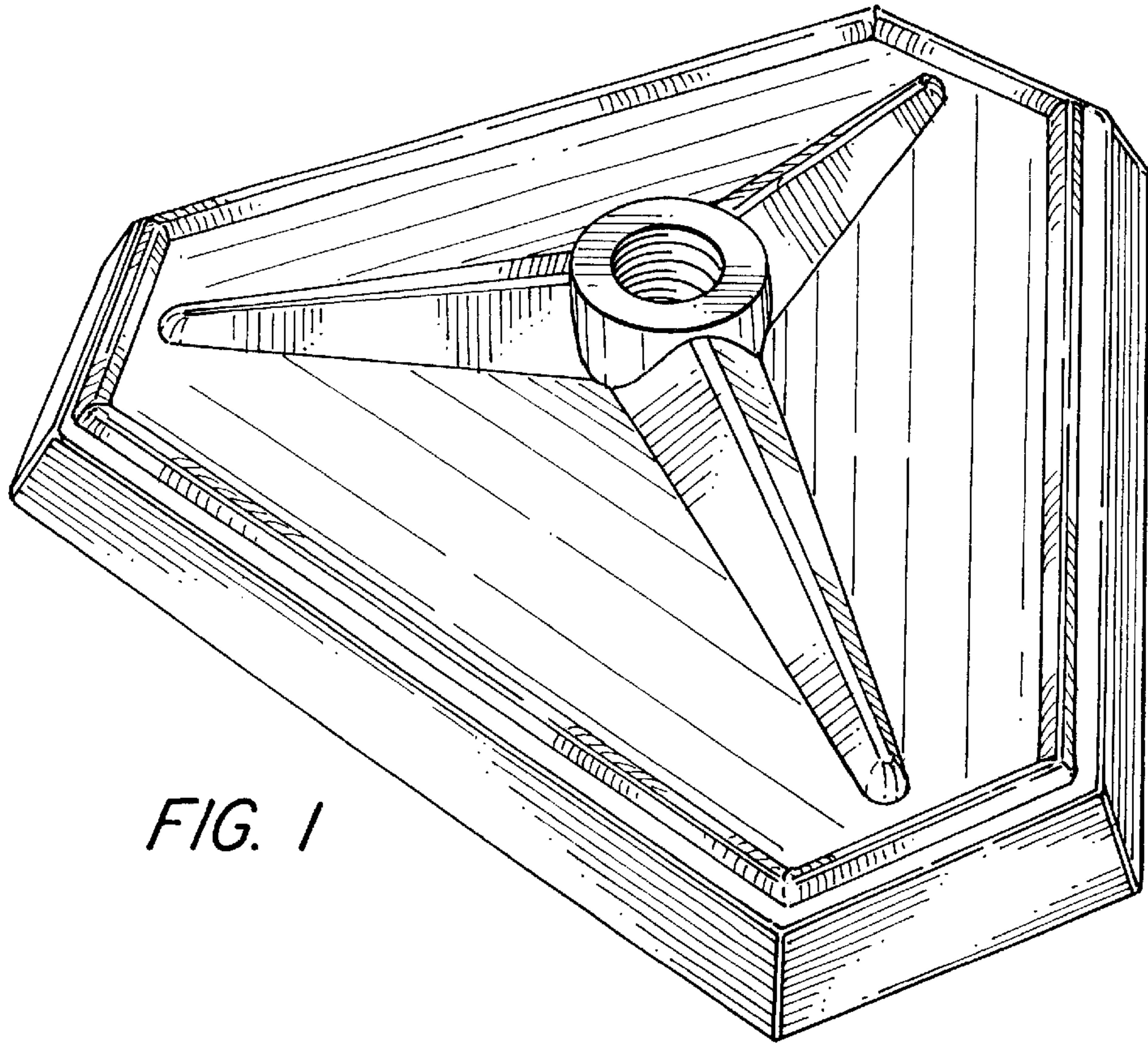


FIG. 1

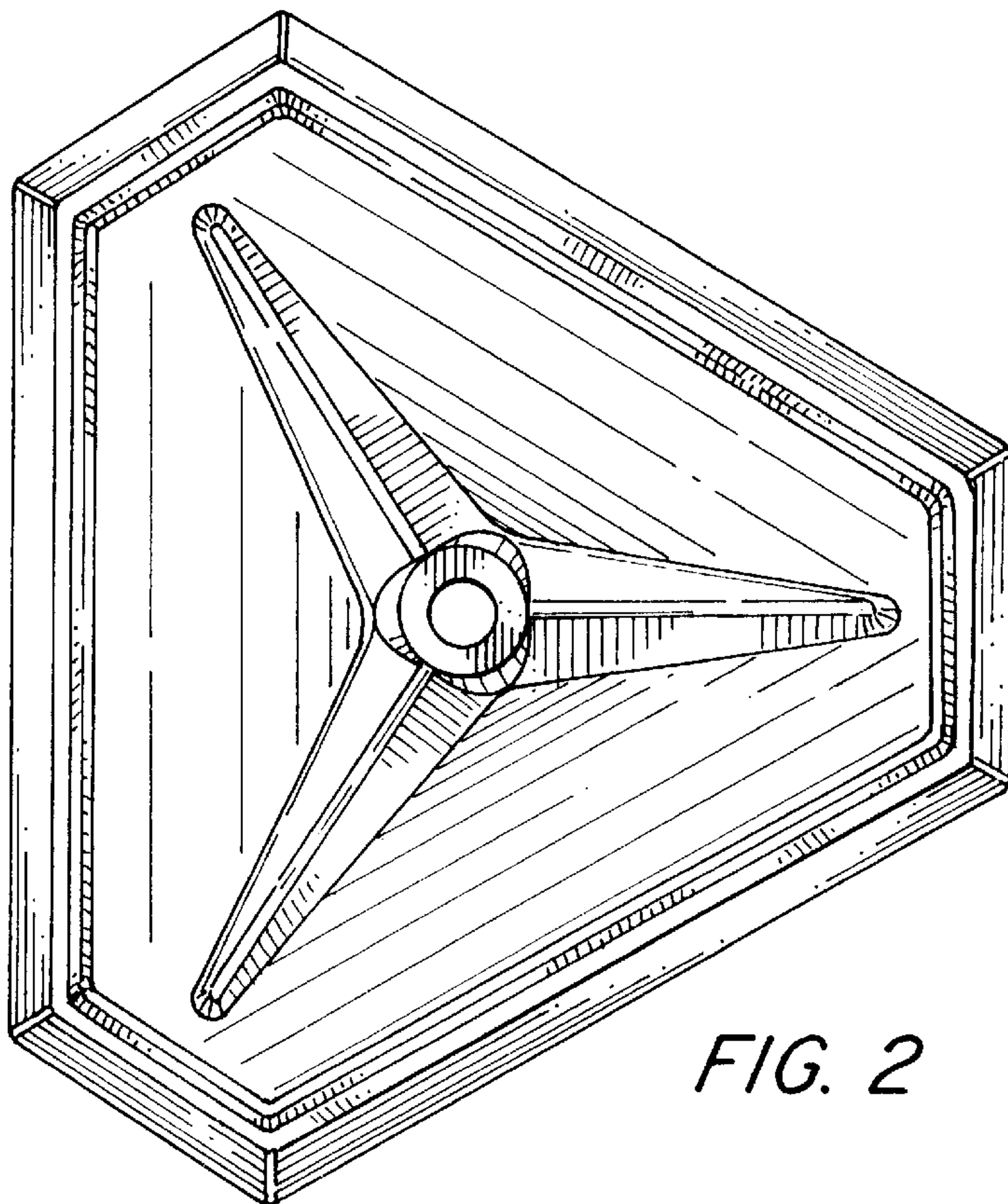


FIG. 2



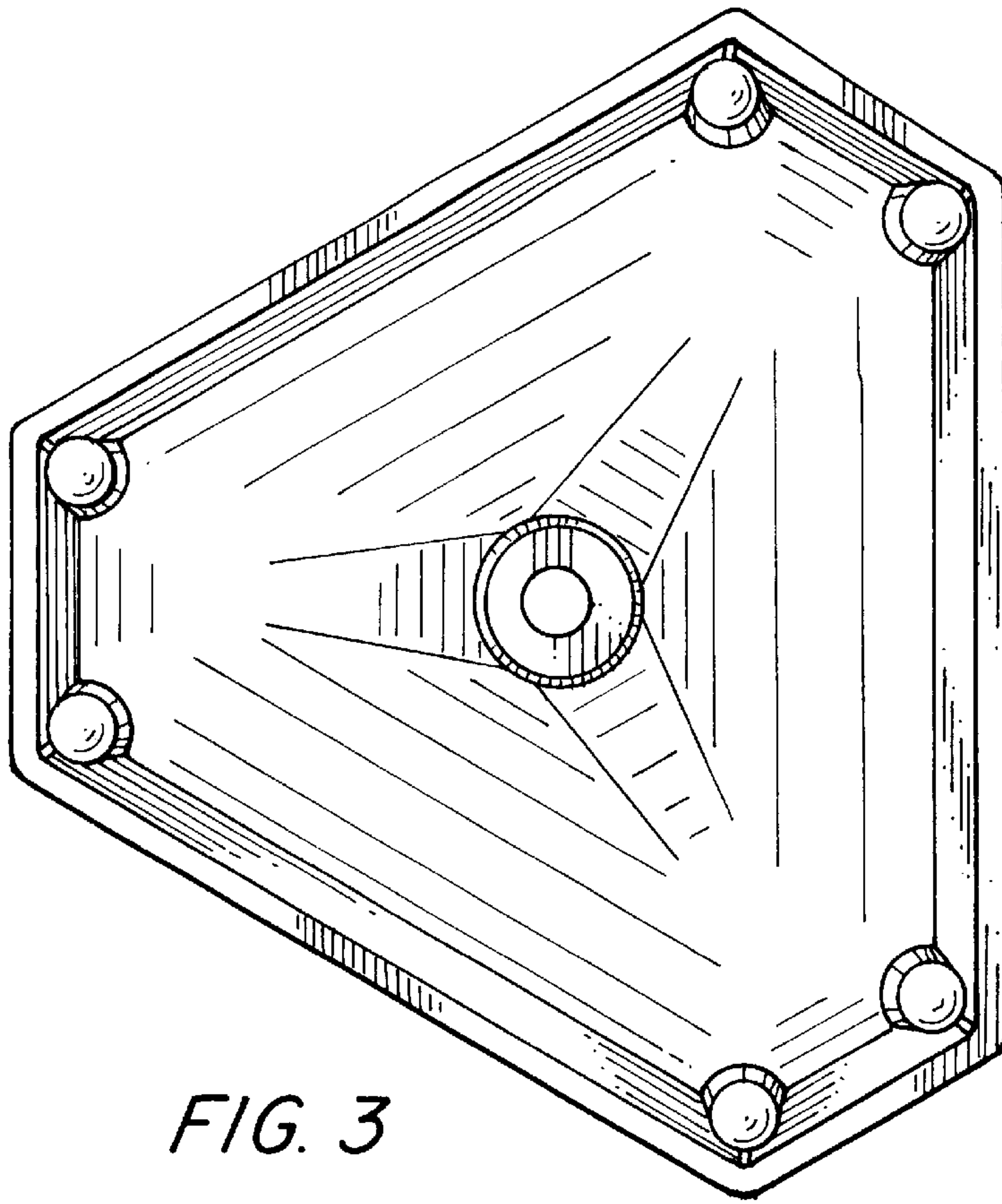


FIG. 3

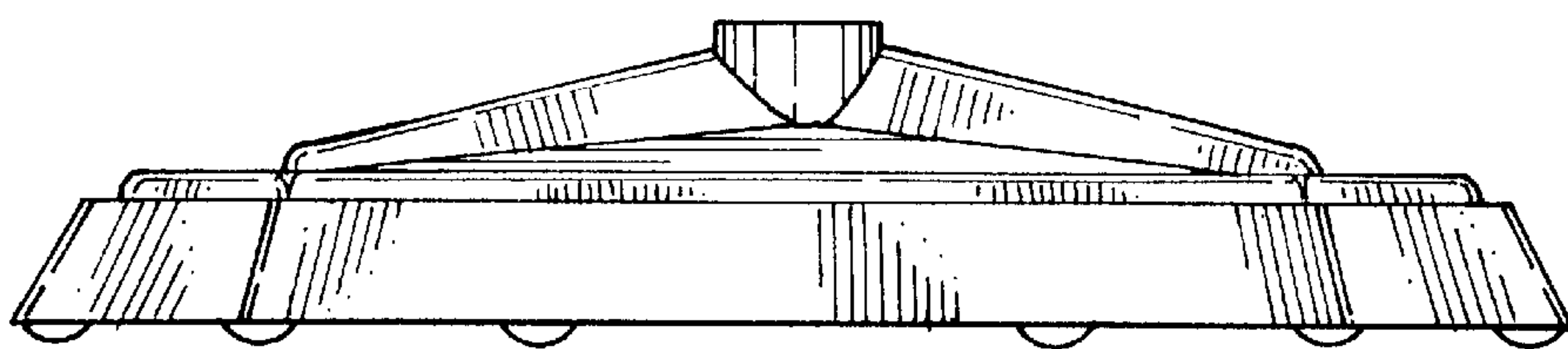


FIG. 4

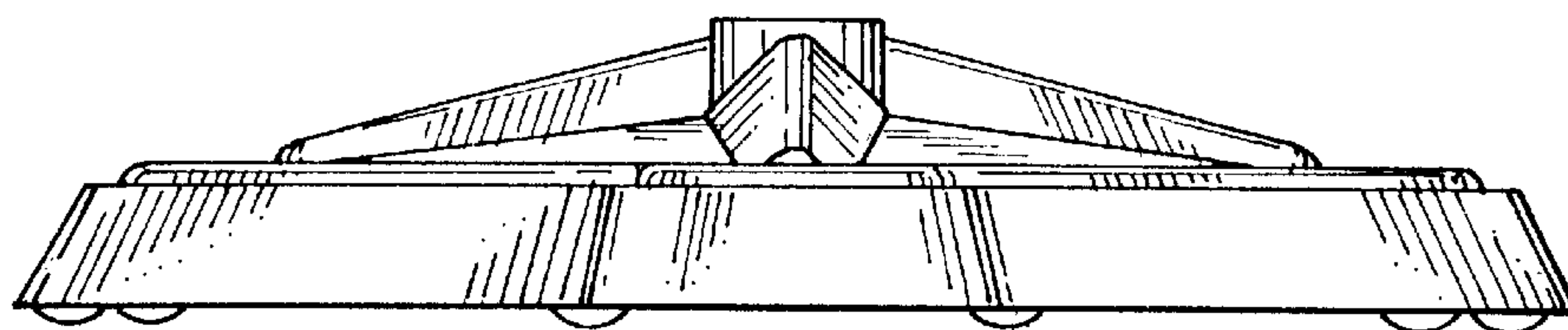


FIG. 5

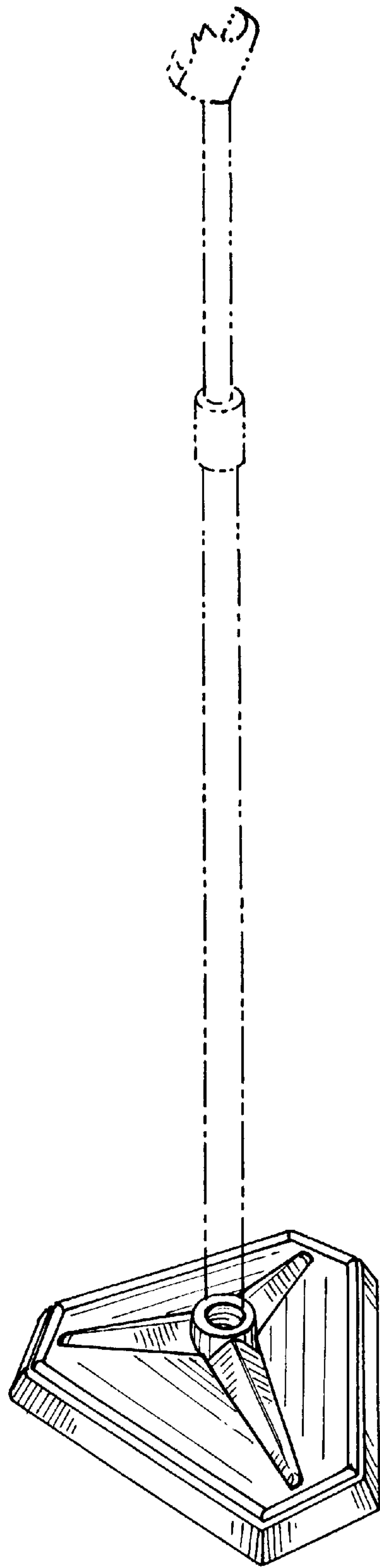


FIG. 6