



US00D476175S

(12) **United States Design Patent**
Jackson

(10) **Patent No.:** **US D476,175 S**

(45) **Date of Patent:** **** Jun. 24, 2003**

(54) **TABLE**

(75) **Inventor:** **Steven Jackson, Woodbridge (CA)**

(73) **Assignee:** **Royal Alliance Inc., Woodbridge**

(**) **Term:** **14 Years**

(21) **Appl. No.:** **29/164,859**

(22) **Filed:** **Aug. 2, 2002**

(51) **LOC (7) Cl.** **06-03**

(52) **U.S. Cl.** **D6/484**

(58) **Field of Search** D6/480-489, 495,
D6/429; 108/153.1, 155, 156, 157.1, 161;
248/188, 188.1, 188.8

(56) **References Cited**

U.S. PATENT DOCUMENTS

- D201,854 S * 8/1965 Rand D6/480
- D263,910 S * 4/1982 Robertson et al. D6/485
- D312,736 S * 12/1990 Grosfillex D6/349

- D327,592 S * 7/1992 Kerem D6/480
- D346,704 S * 5/1994 Grosfillex D6/349
- D358,283 S * 5/1995 Kelly D6/484
- D376,499 S * 12/1996 Glick et al. D6/484

OTHER PUBLICATIONS

Davison's, Aug. 1982, p. 4, table at bottom of page.*

* cited by examiner

Primary Examiner—Janice E. Seeger

(57) **CLAIM**

The ornamental design for a table, as shown and described.

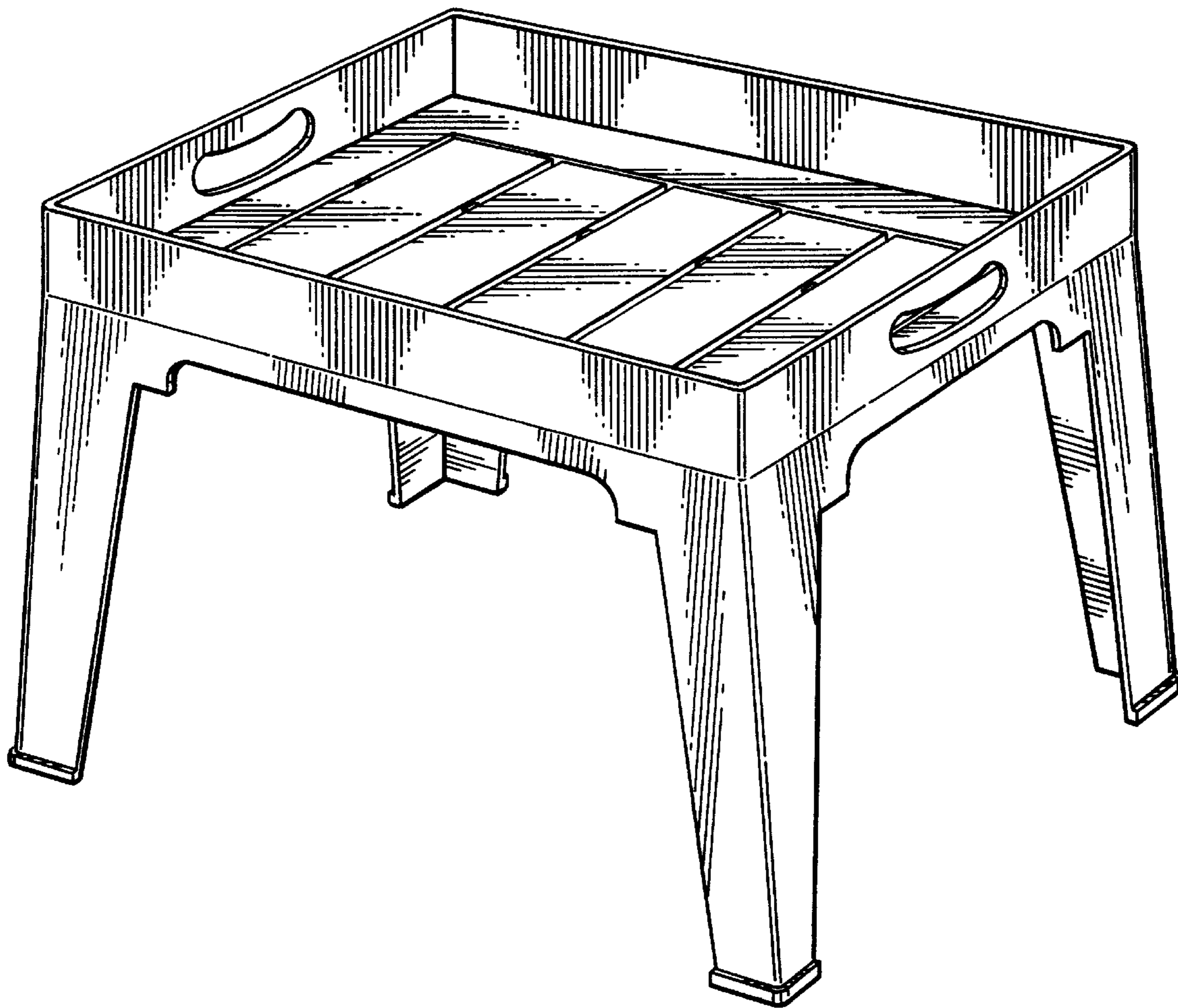
DESCRIPTION

FIG. 1 is a perspective view of the table to which the design is applied;

FIGS. 2 through 5 are top, side, end and bottom views of the table of FIG. 1; and,

FIG. 6 shows a variant of the design.

1 Claim, 4 Drawing Sheets



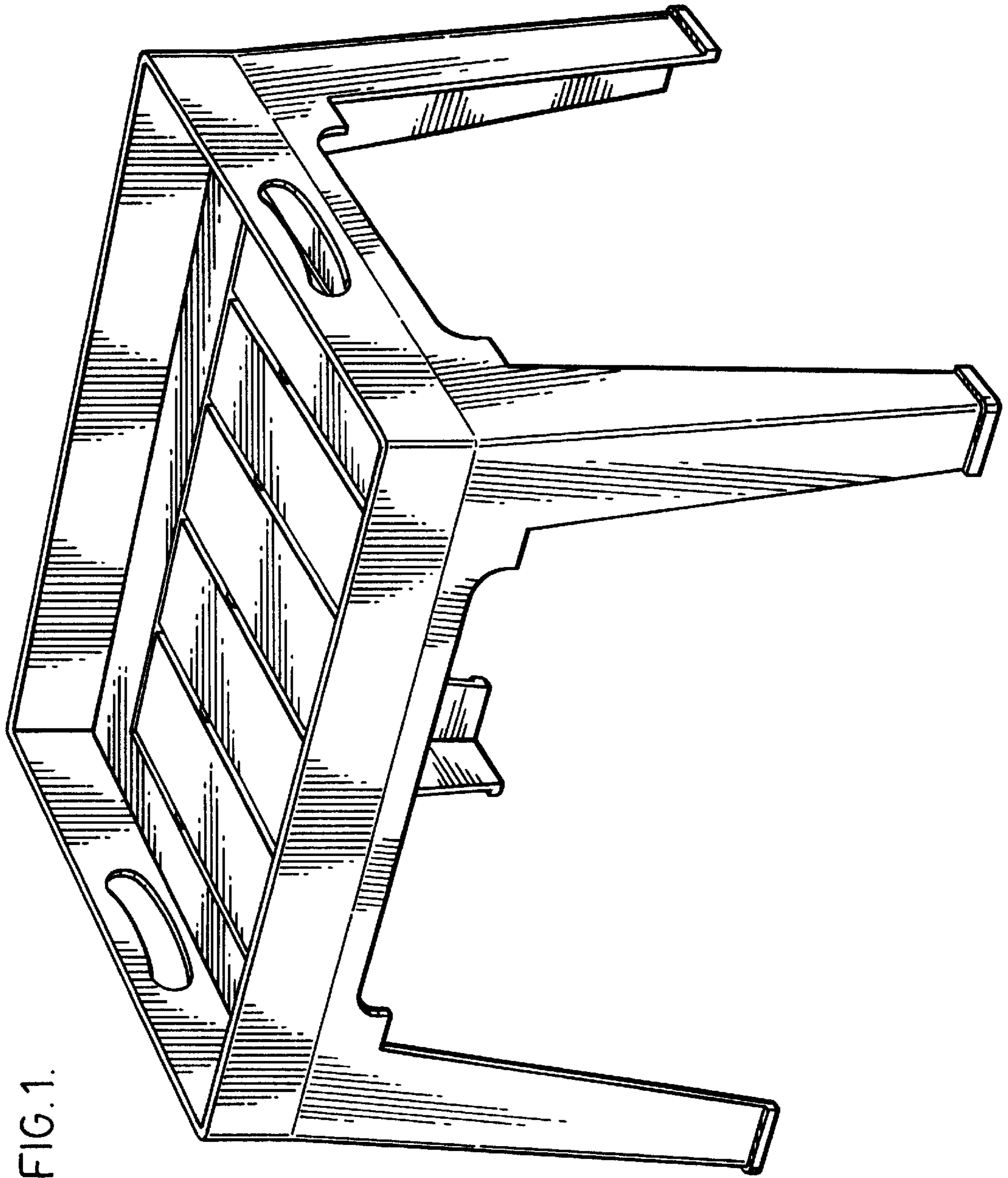


FIG. 1.

FIG. 2.

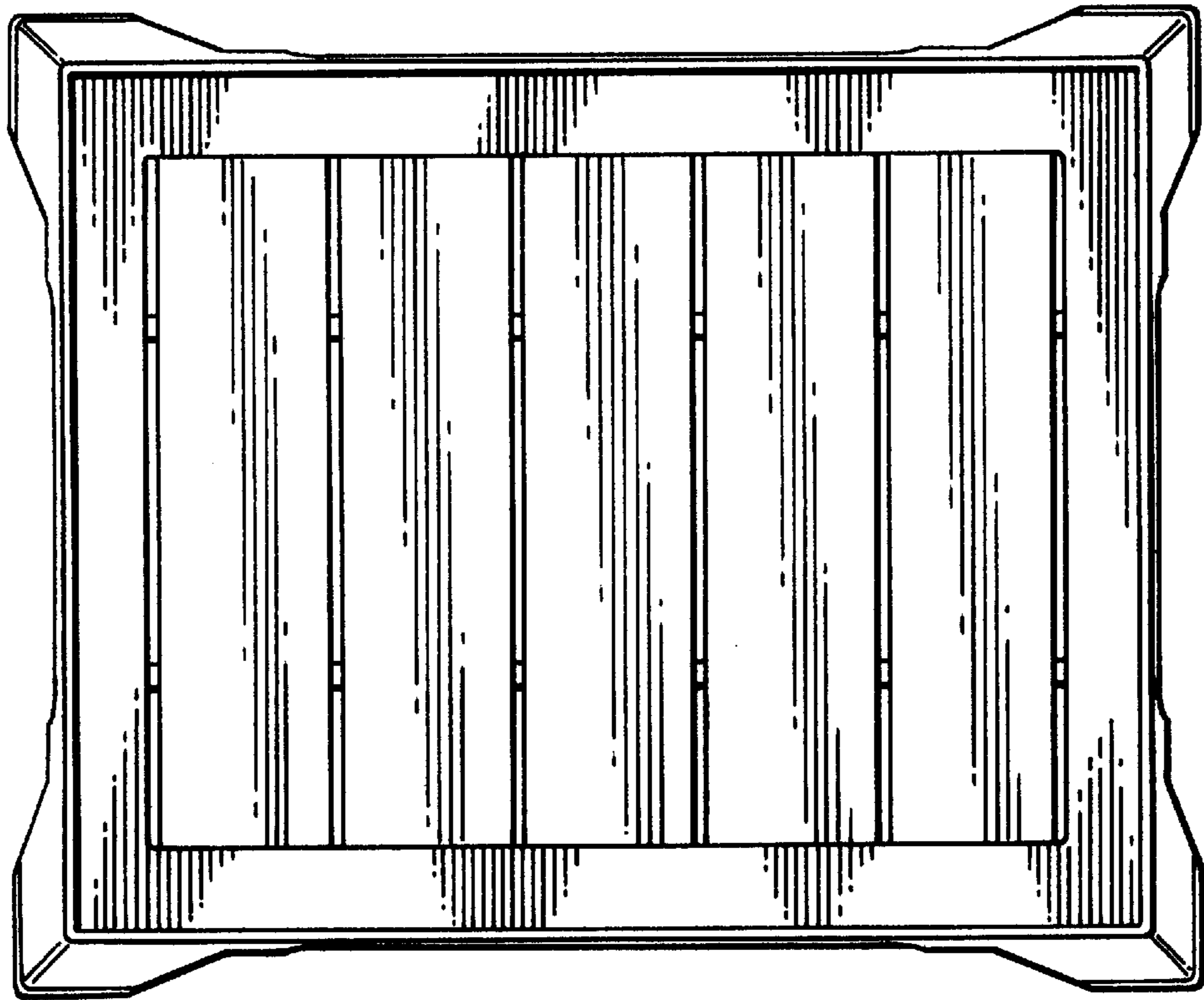


FIG. 3.

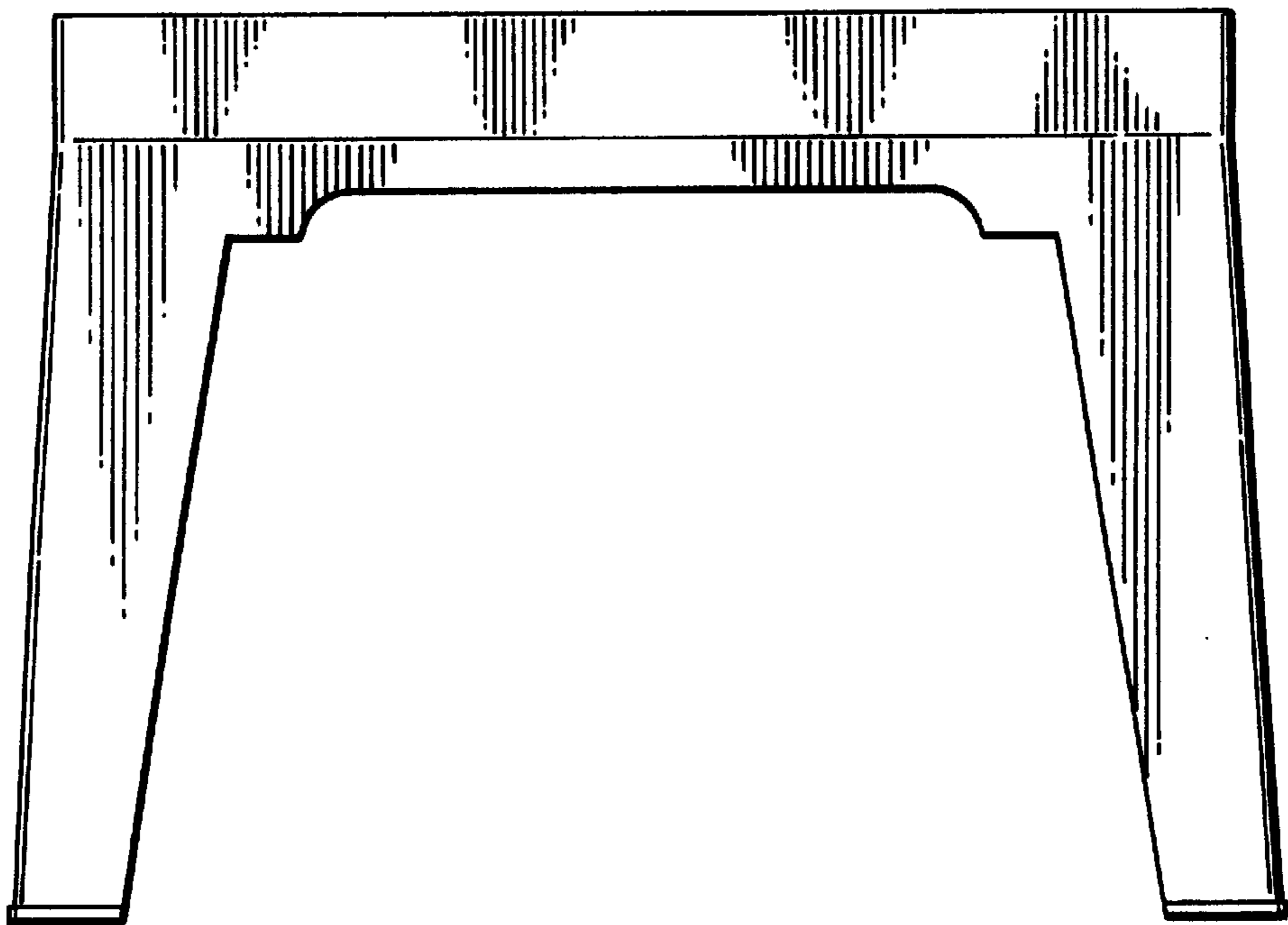


FIG. 4.

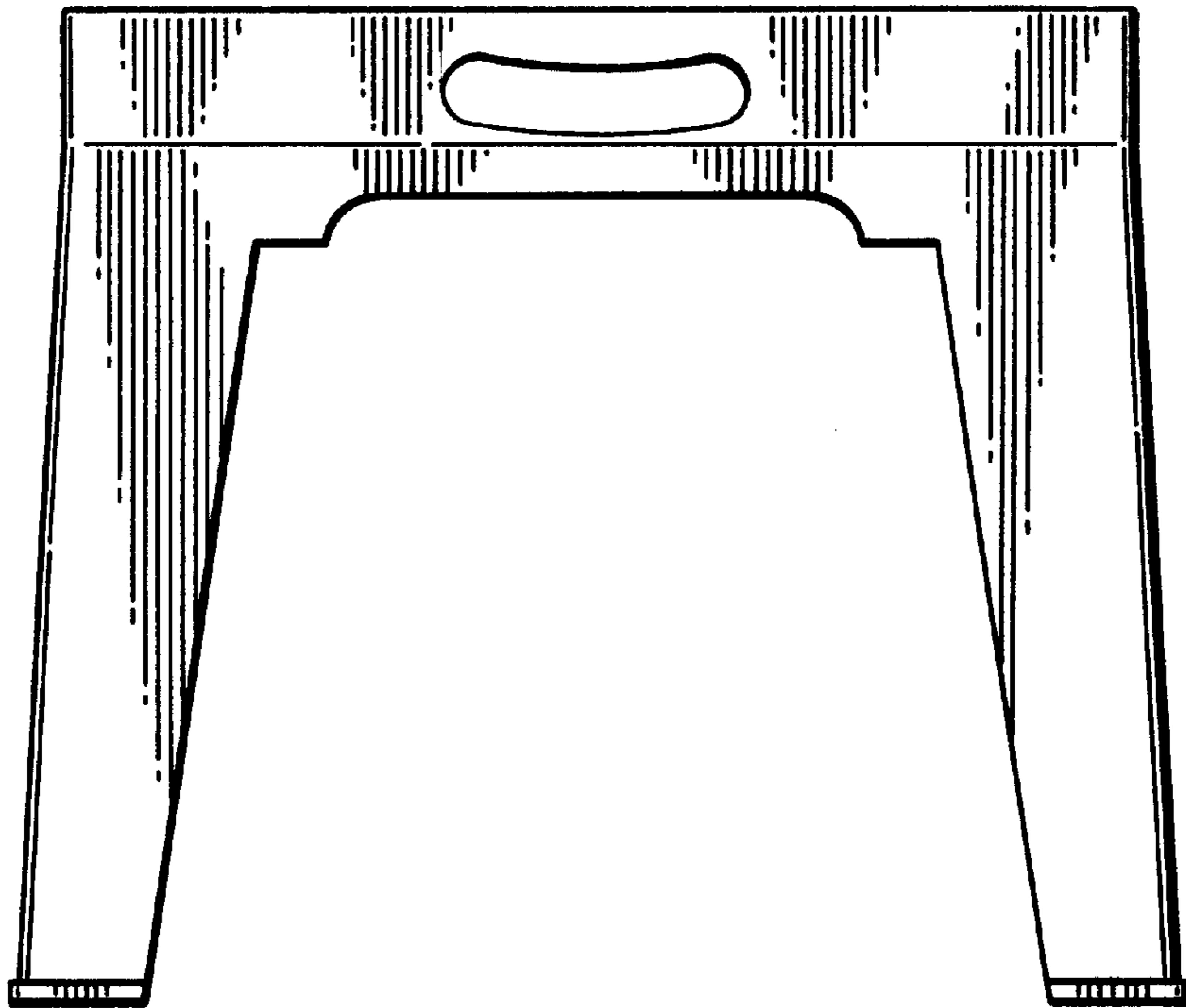
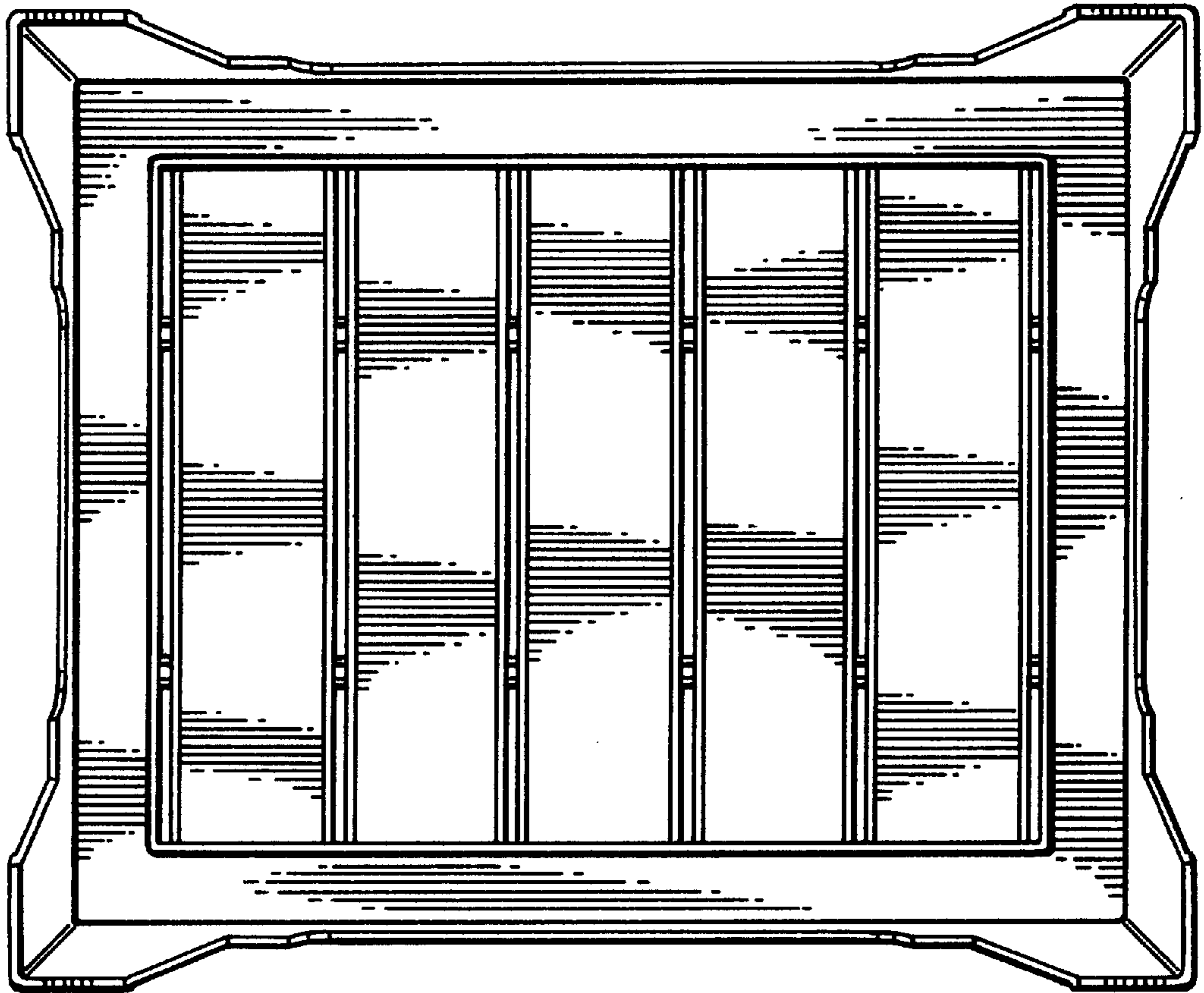


FIG. 5.



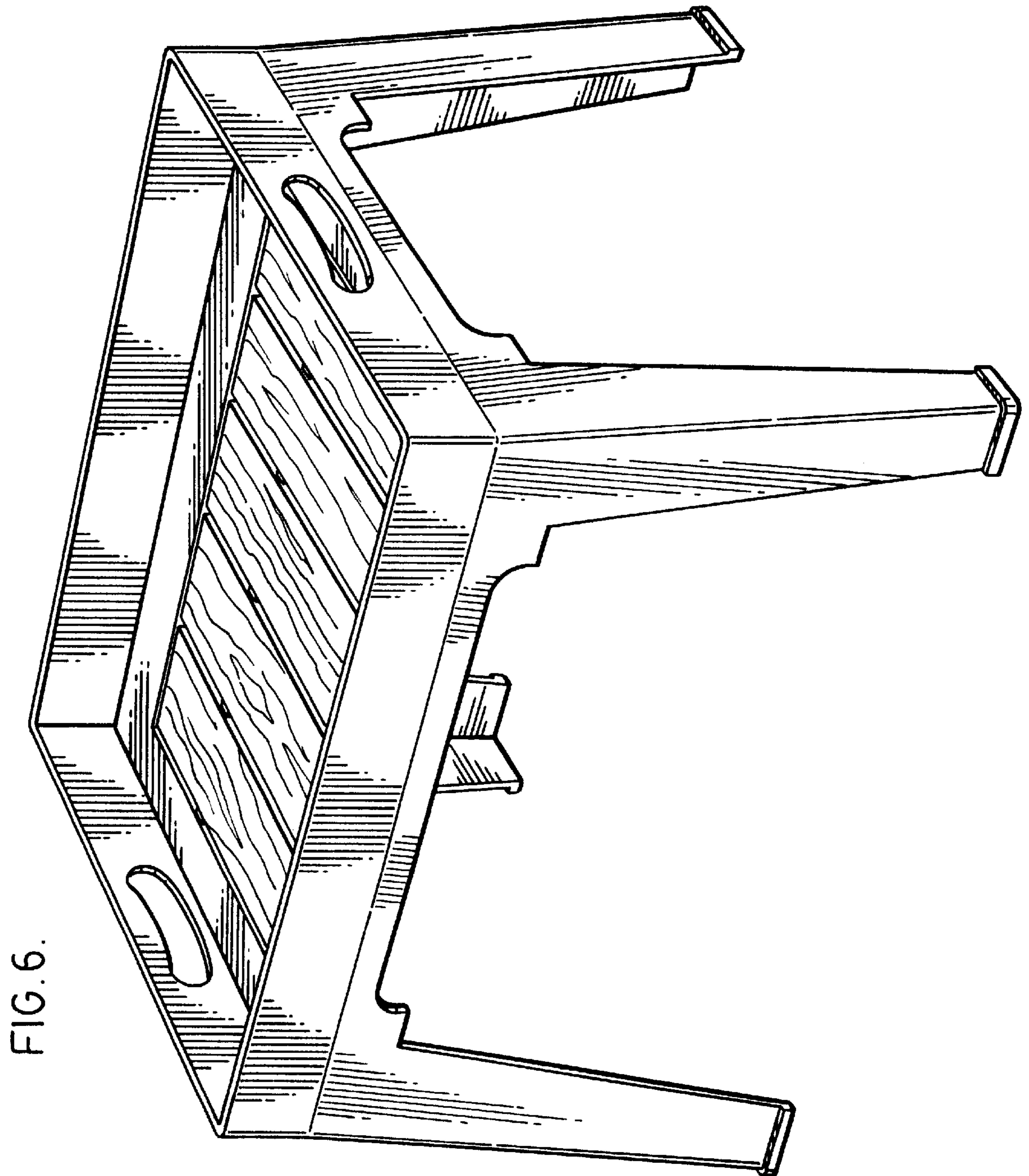


FIG. 6.