



US00D476174S

(12) **United States Design Patent**
Lenger

(10) **Patent No.:** **US D476,174 S**

(45) **Date of Patent:** **** Jun. 24, 2003**

(54) **CLOVERLEAF COFFEE TABLE**

D461,656 S * 8/2002 Stanton D6/488
D469,991 S * 2/2003 Stanton D6/486

(75) Inventor: **Sidney A. Lenger**, Kernersville, NC
(US)

* cited by examiner

(73) Assignee: **Schottenstein Stores Corporation**,
Columbus, OH (US)

Primary Examiner—Janice E. Seeger
(74) *Attorney, Agent, or Firm*—Wood, Herron & Evans,
LLP

(**) Term: **14 Years**

(57) **CLAIM**

(21) Appl. No.: **29/161,873**

The ornamental design for a cloverleaf coffee table, as shown and described.

(22) Filed: **Jun. 5, 2002**

DESCRIPTION

(51) **LOC (7) Cl.** **06-03**

(52) **U.S. Cl.** **D6/484; D6/436; D6/441**

(58) **Field of Search** D6/480–489, 495,
D6/511, 477, 479, 460, 461, 441, 436,
437; 108/153.1, 155, 156, 157, 161; 248/188,
188.1, 188.8

FIG. 1 is a perspective view of a cloverleaf coffee table showing my new design;

FIG. 2 is a front elevational view thereof, with the right-side, left-side and rear elevational views thereof being identical to FIG. 2.

FIG. 3 is a top plan view thereof; and,

FIG. 4 is a bottom plan view thereof.

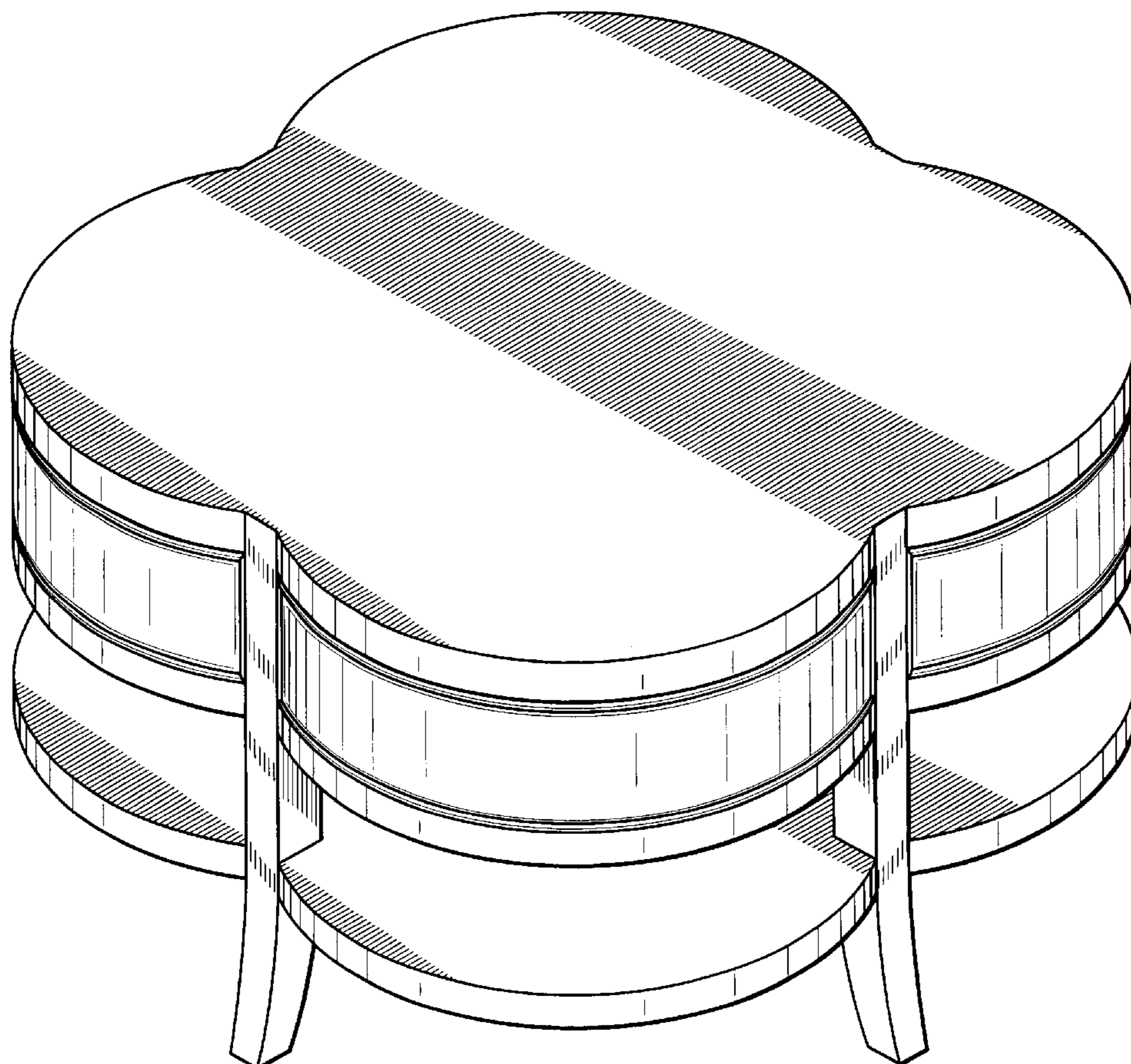
The broken lines shown in the drawings of the figures are for illustrative purposes only and form no part of the claimed cloverleaf coffee table design.

(56) **References Cited**

U.S. PATENT DOCUMENTS

D254,822 S * 4/1980 Crespi D6/460
D268,715 S * 4/1983 Curry D6/486
D331,673 S * 12/1992 Faber D6/441

1 Claim, 3 Drawing Sheets



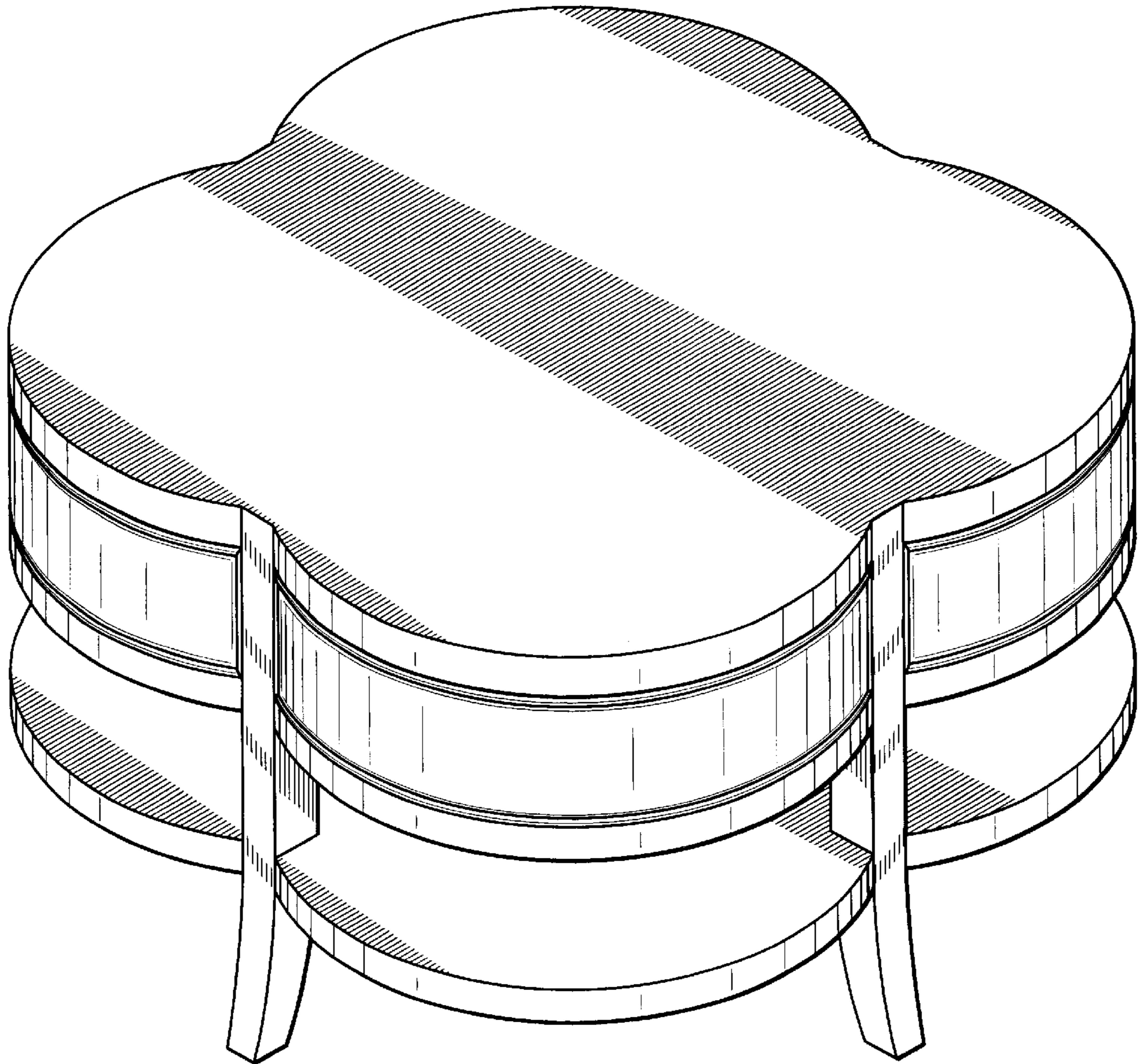


FIG. 1

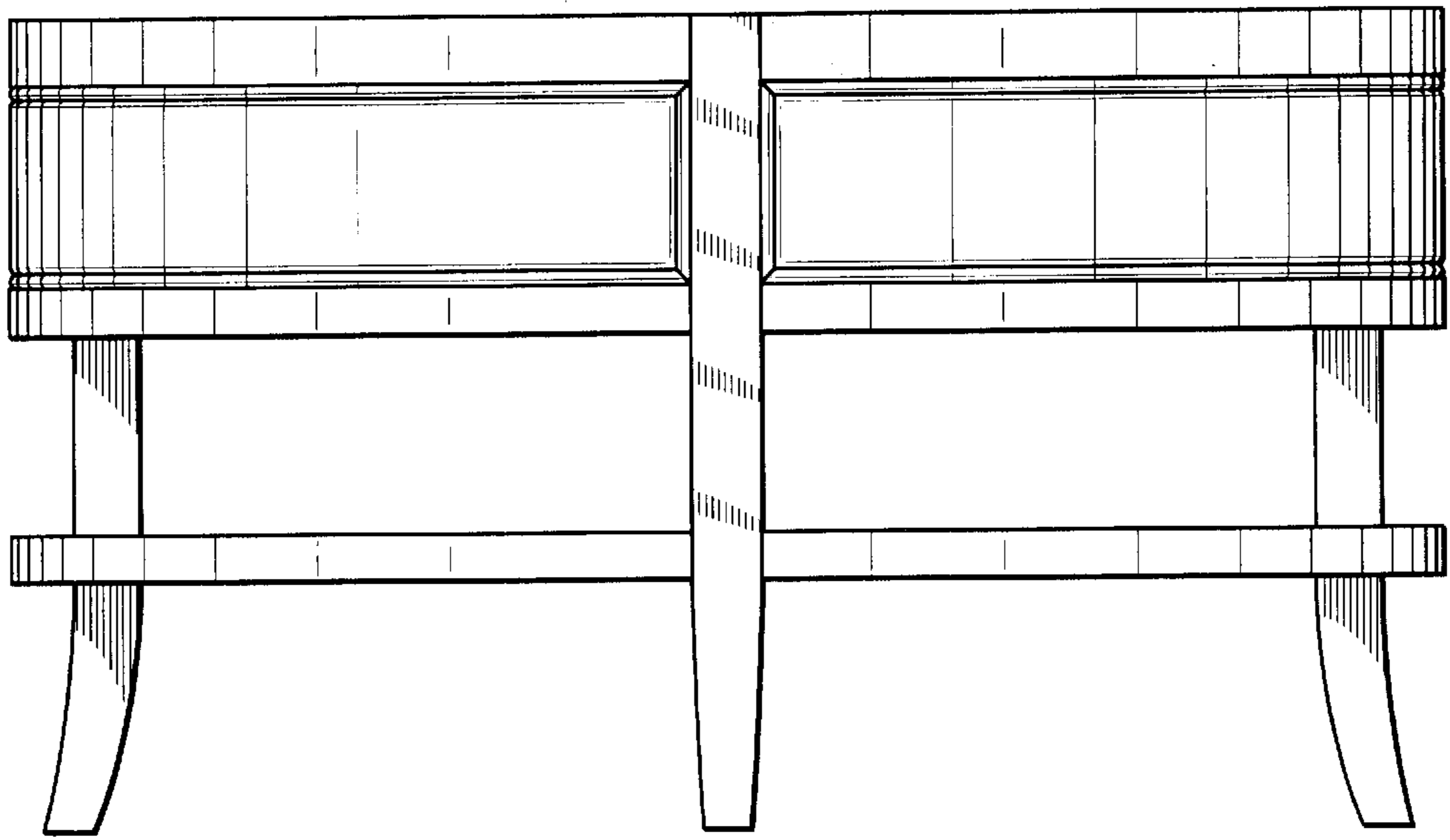


FIG. 2

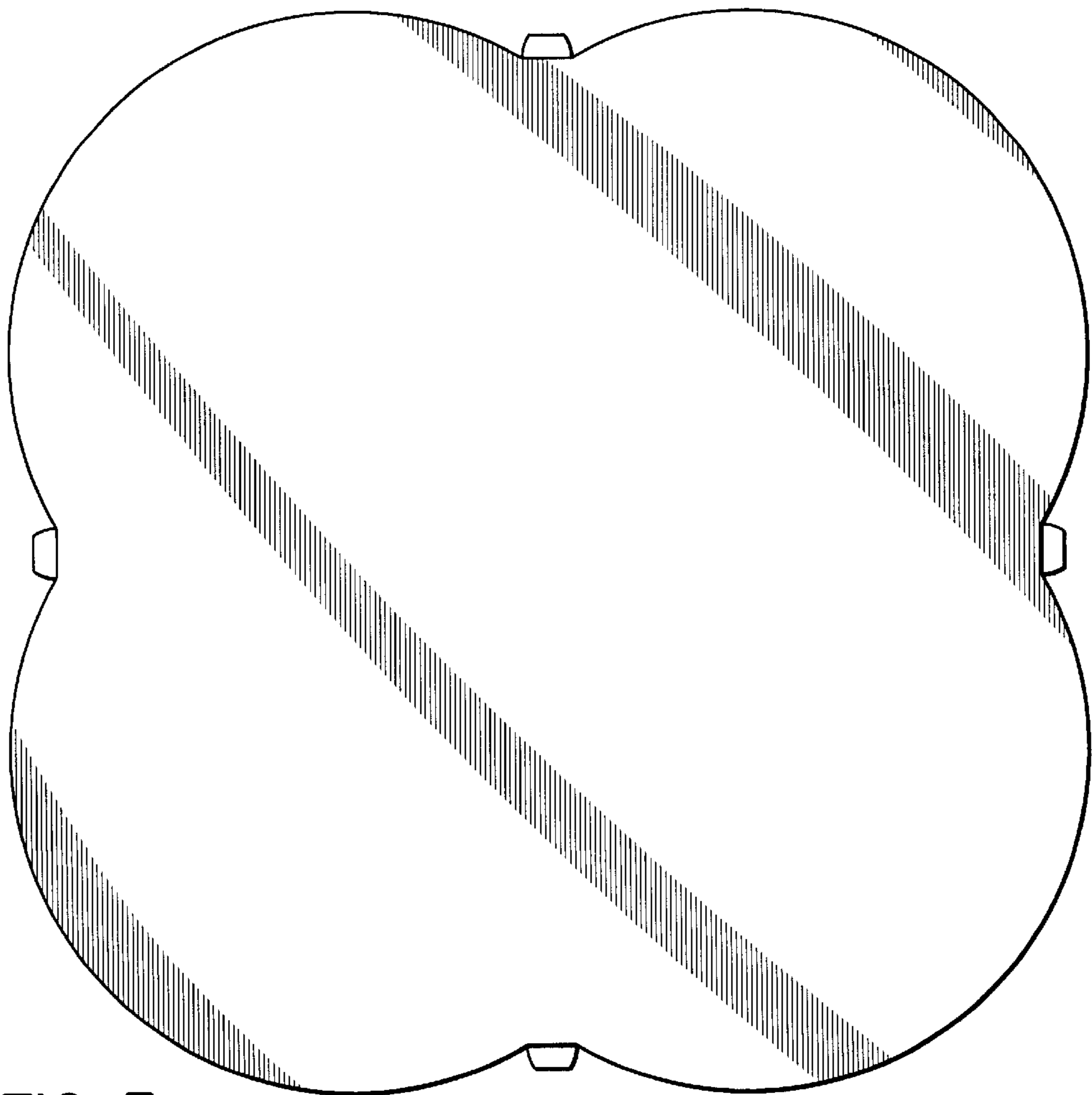


FIG. 3

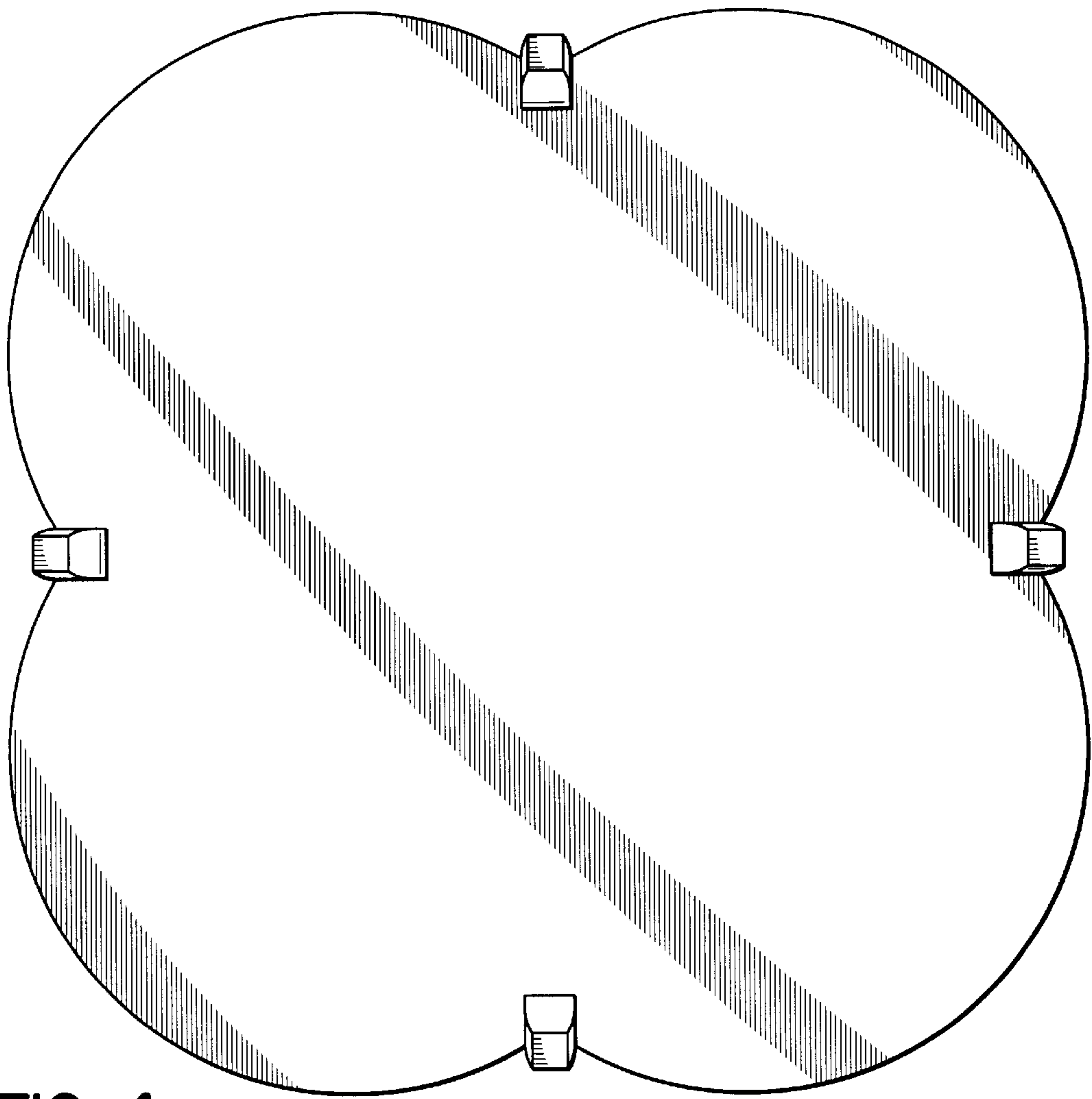


FIG. 4