



US00D476171S

(12) **United States Design Patent**
Hirano

(10) **Patent No.:** **US D476,171 S**

(45) **Date of Patent:** **** Jun. 24, 2003**

(54) **DISC PLAYER STAND**

D341,280 S * 11/1993 Garmon D14/114

(75) Inventor: **Shinpei Hirano**, Tokyo (JP)

* cited by examiner

(73) Assignee: **Sony Corporation**, Tokyo (JP)

Primary Examiner—Janice E. Seeger

(**) Term: **14 Years**

(74) *Attorney, Agent, or Firm*—Rader, Fishman & Grauer PLLC

(21) Appl. No.: **29/157,570**

(57) **CLAIM**

(22) Filed: **Mar. 22, 2002**

The ornamental design for a disc player stand, as shown and described.

(51) **LOC (7) Cl.** **06-06**

DESCRIPTION

(52) **U.S. Cl.** **D6/466**

(58) **Field of Search** D6/449, 466, 467,
D6/468, 469, 495, 491; 211/41.12, 85.26;
248/909, 309.1, 316.7; D14/447; 379/454

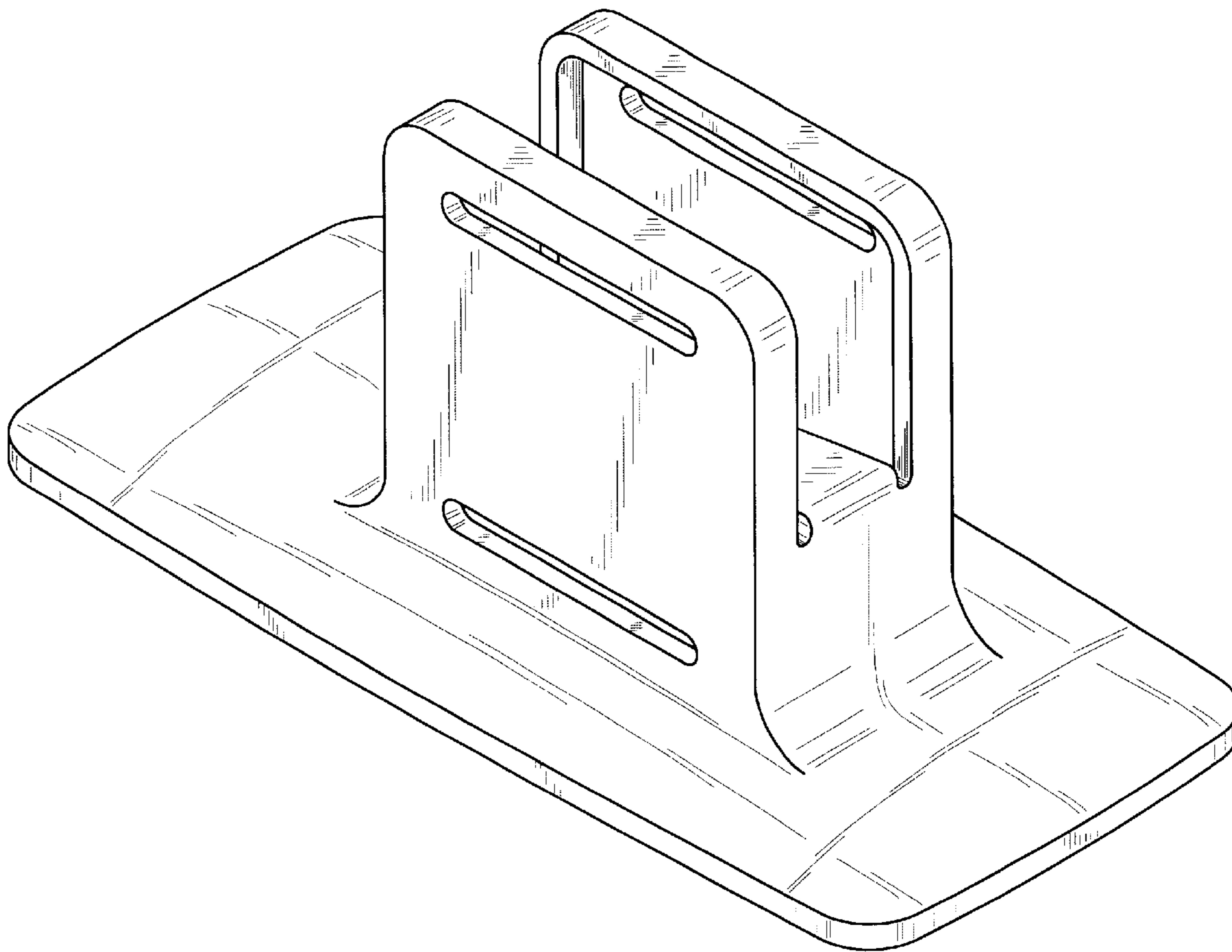
FIG. 1 is a perspective view of a disc player stand showing my new design;
FIG. 2 is a front elevational view thereof;
FIG. 3 is a rear elevational view thereof;
FIG. 4 is a left side elevational view thereof;
FIG. 5 is a right side elevational view thereof;
FIG. 6 is a top plan view thereof; and,
FIG. 7 is a bottom plan view thereof.

(56) **References Cited**

U.S. PATENT DOCUMENTS

- D279,245 S * 6/1985 Wohlman D6/467
- D287,365 S * 12/1986 Judd D14/114
- D327,383 S * 6/1992 Lam D6/466

1 Claim, 4 Drawing Sheets



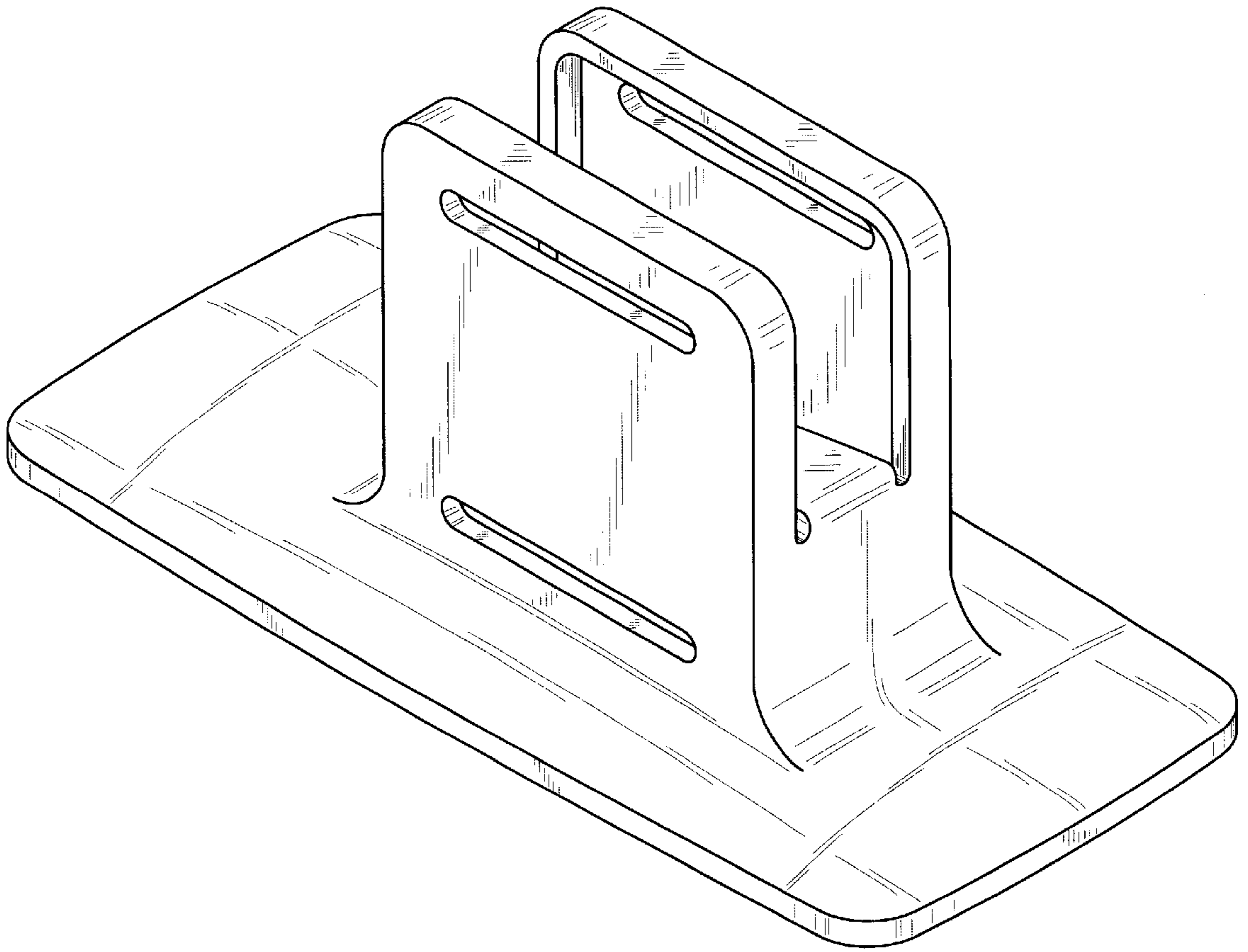


Fig. 1

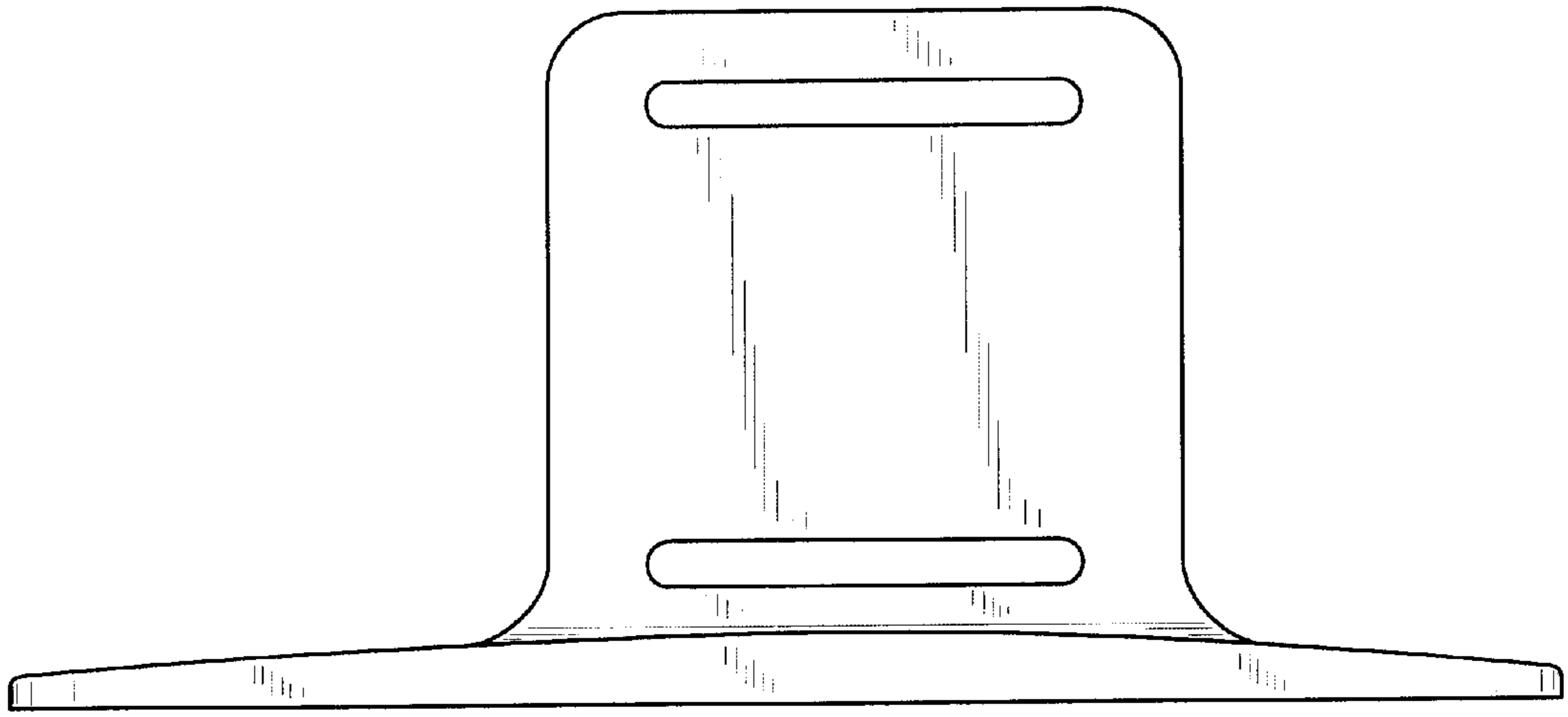


Fig. 2

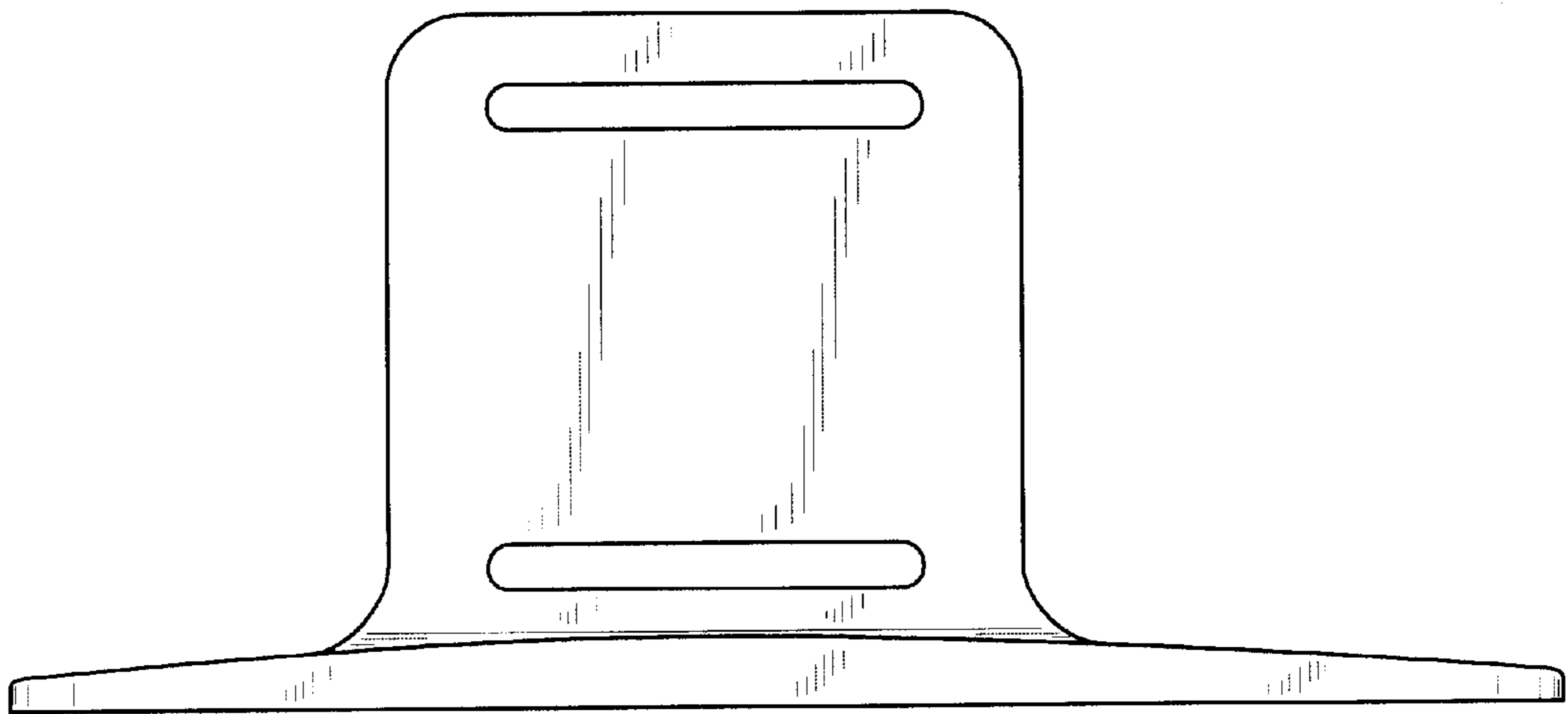


Fig. 3

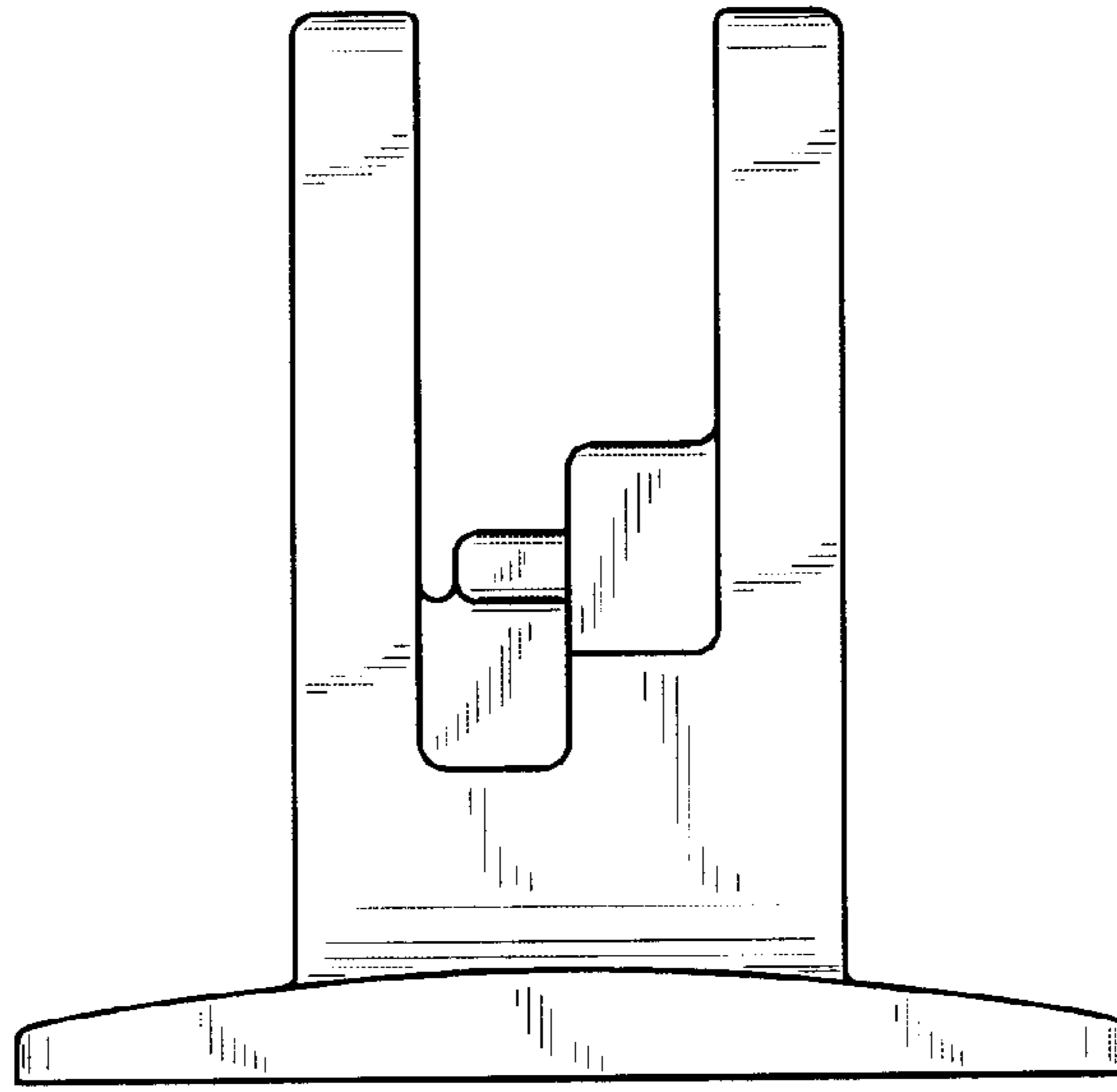


Fig. 4

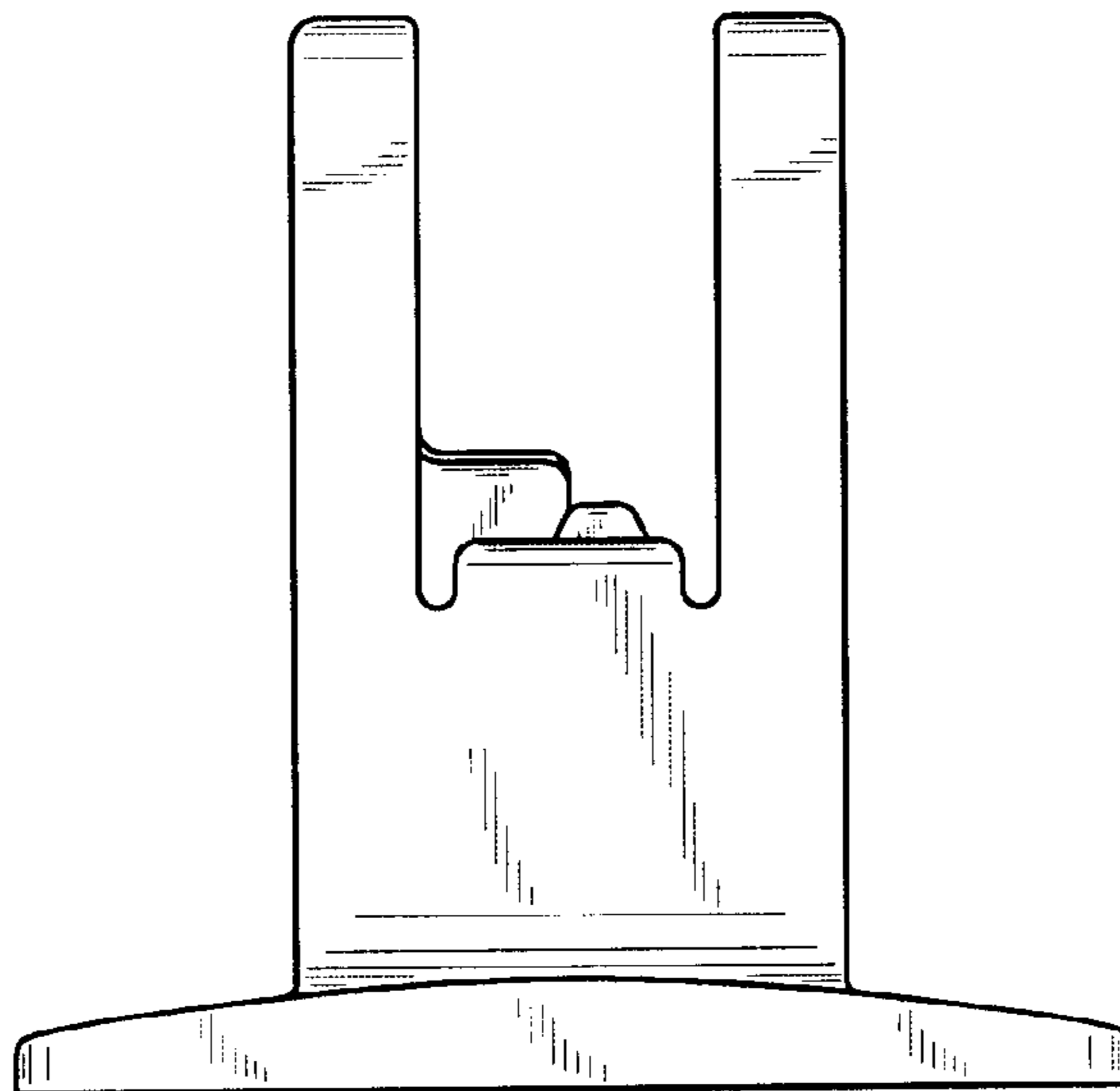


Fig. 5

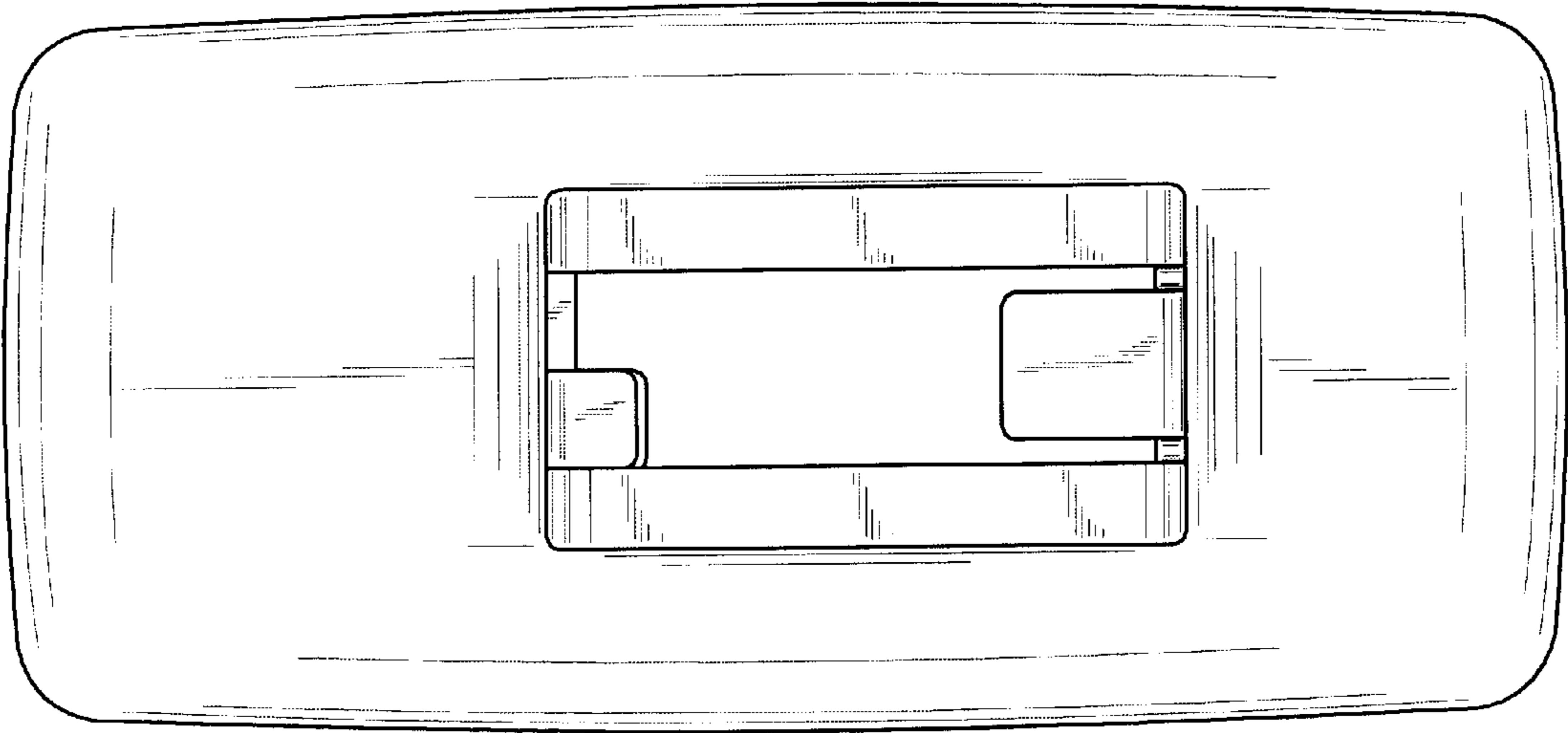


Fig. 6

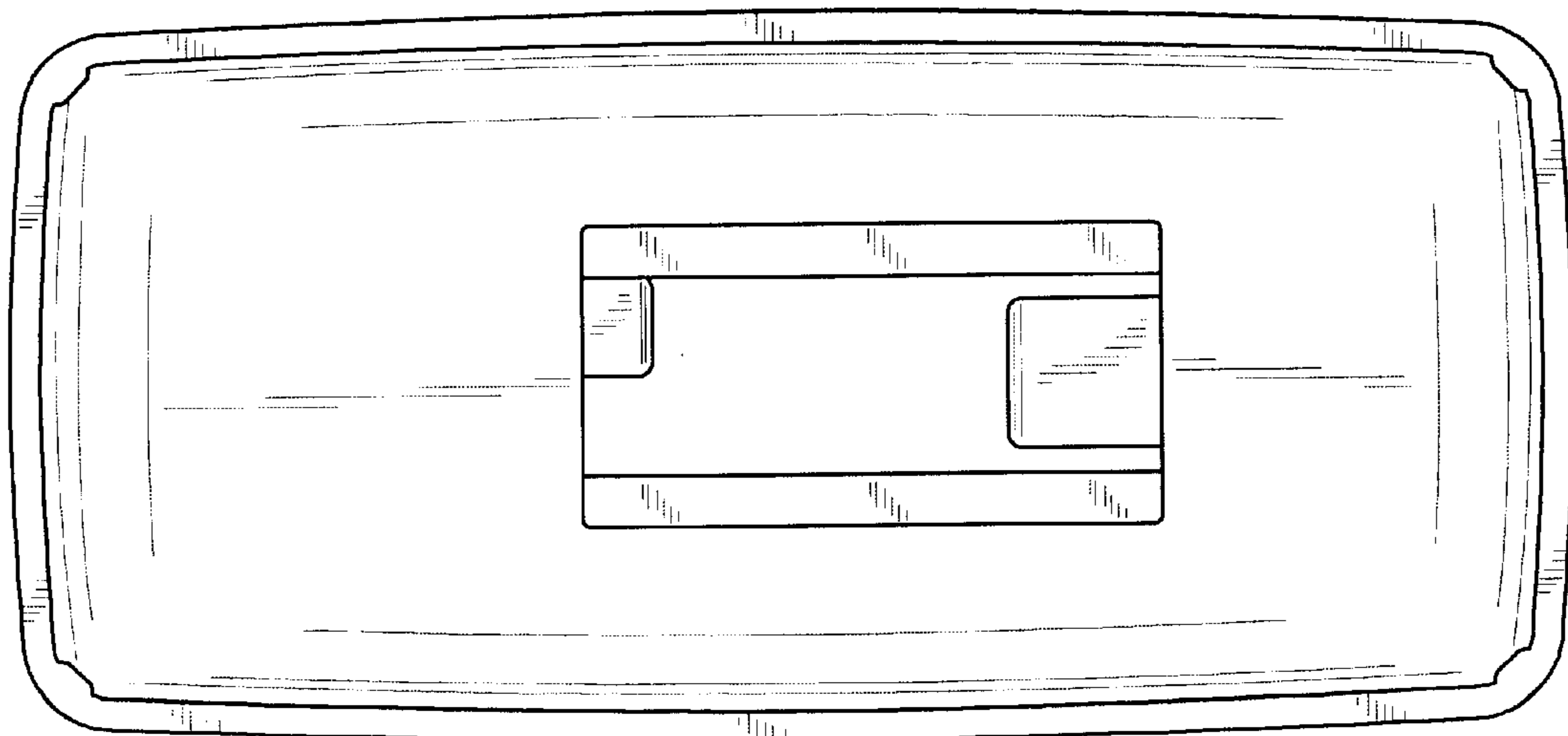


Fig. 7