



US00D476170S

(12) **United States Design Patent**
Johnson

(10) **Patent No.:** **US D476,170 S**

(45) **Date of Patent:** **** Jun. 24, 2003**

(54) **MERCHANDISING SYSTEM**

D450,480 S * 11/2001 Stephens D6/458
6,431,375 B2 * 8/2002 Spencer 211/106

(75) Inventor: **Allen E. Johnson**, Hartford, WI (US)

* cited by examiner

(73) Assignee: **DCI Marketing, Inc.**, Milwaukee, WI (US)

Primary Examiner—Cathron C. Brooks
(74) *Attorney, Agent, or Firm*—Foley & Lardner

(**) Term: **14 Years**

(57) **CLAIM**

(21) Appl. No.: **29/161,150**

The ornamental design for a merchandising system, as shown and described.

(22) Filed: **May 22, 2002**

DESCRIPTION

(51) **LOC (7) Cl.** **06-04**

(52) **U.S. Cl.** **D6/462; D6/629**

(58) **Field of Search** D6/458, 462–465,
D6/466, 475, 476, 407, 629; 211/41.4,
42, 49.1, 90.03, 106, 181.1; 312/9.1, 9.97,
9.48, 9.52, 9.53, 9.55

FIG. 1 is a front perspective view of a merchandising system.

FIG. 2 is a front elevation view of the merchandising system.

FIG. 3 is a side elevation view of the merchandising system.

FIG. 4 is a rear elevation view of the merchandising system.

FIG. 5 is a top plan view of the merchandising system.

FIG. 6 is a bottom plan view of the merchandising system.

FIG. 7 is a front perspective view of the merchandising system.

FIG. 8 is a front perspective view of the merchandising system; and,

FIG. 9 is a rear perspective view of the merchandising system.

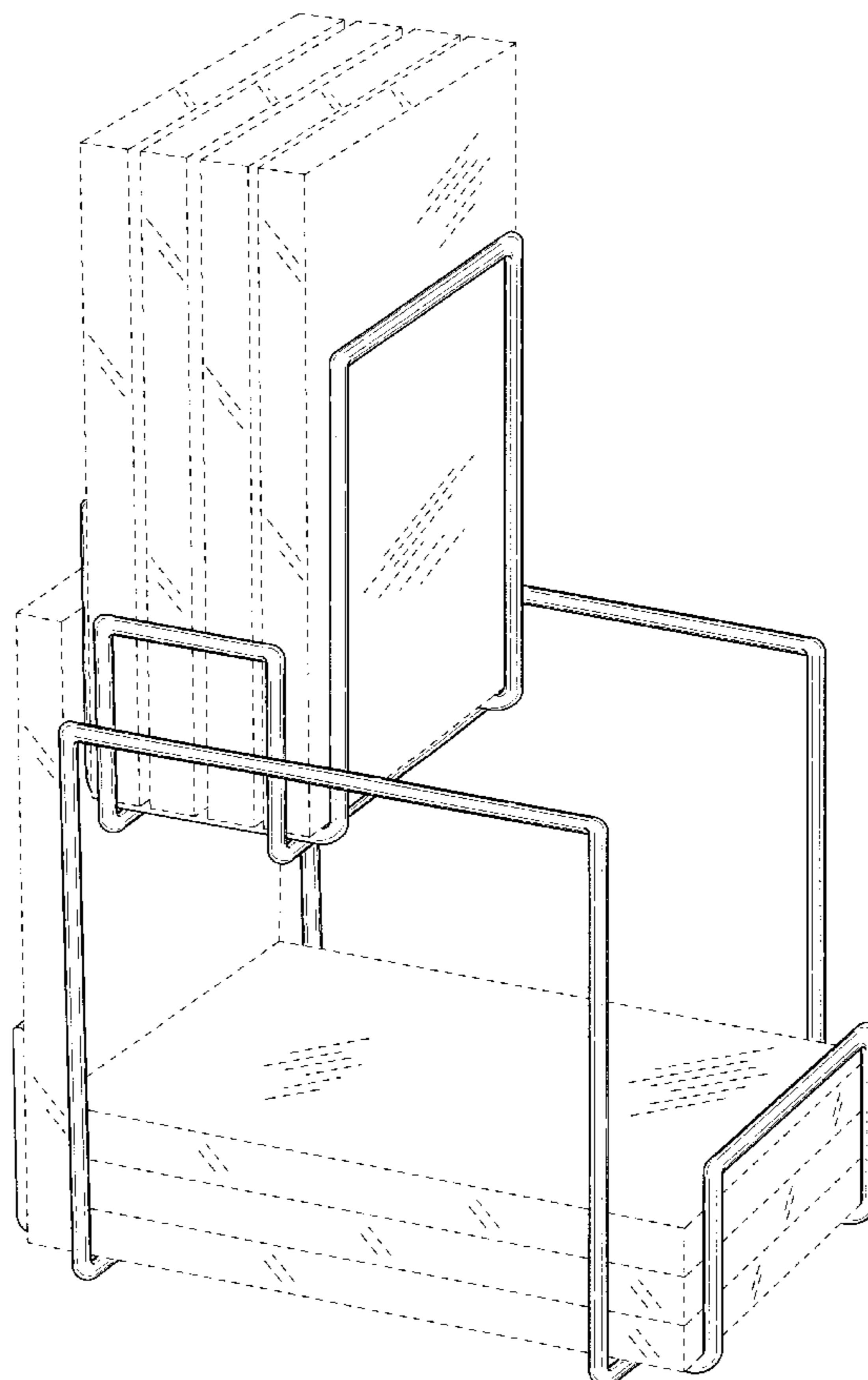
The broken line disclosure is for illustrative purposes only and forms no part of the claimed design.

(56) **References Cited**

U.S. PATENT DOCUMENTS

- 3,918,588 A * 11/1975 Walser et al. 211/49.1
- D249,913 S * 10/1978 Nicely D6/463
- 4,248,352 A * 2/1981 White 211/88.01
- 5,074,420 A * 12/1991 Cappel, III 211/42
- 5,257,702 A * 11/1993 Grafstein 211/106
- D382,133 S * 8/1997 Messina et al. D6/409
- D382,140 S * 8/1997 Loflin D6/465
- D446,968 S * 8/2001 Spencer D6/462

1 Claim, 9 Drawing Sheets



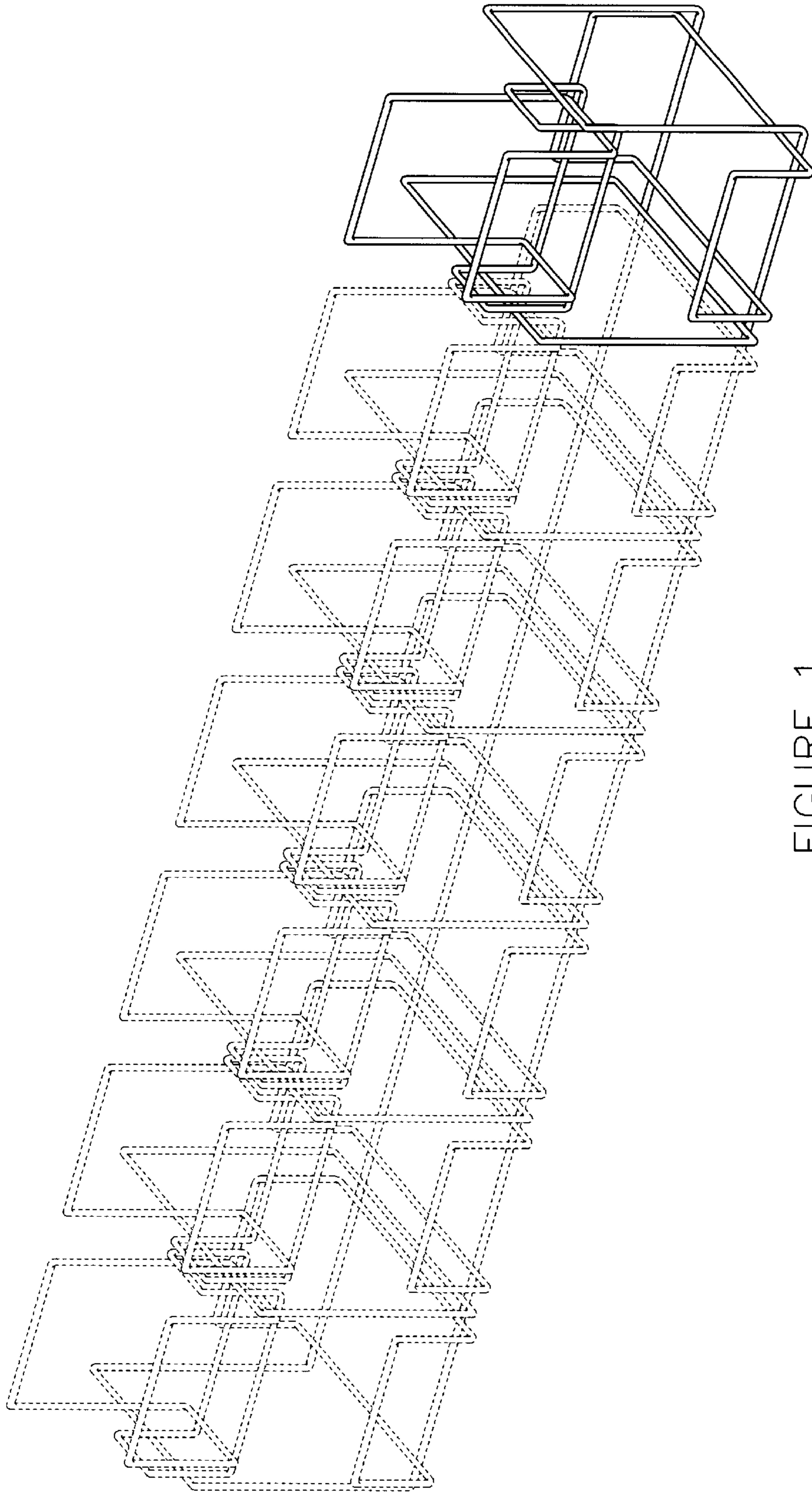


FIGURE 1

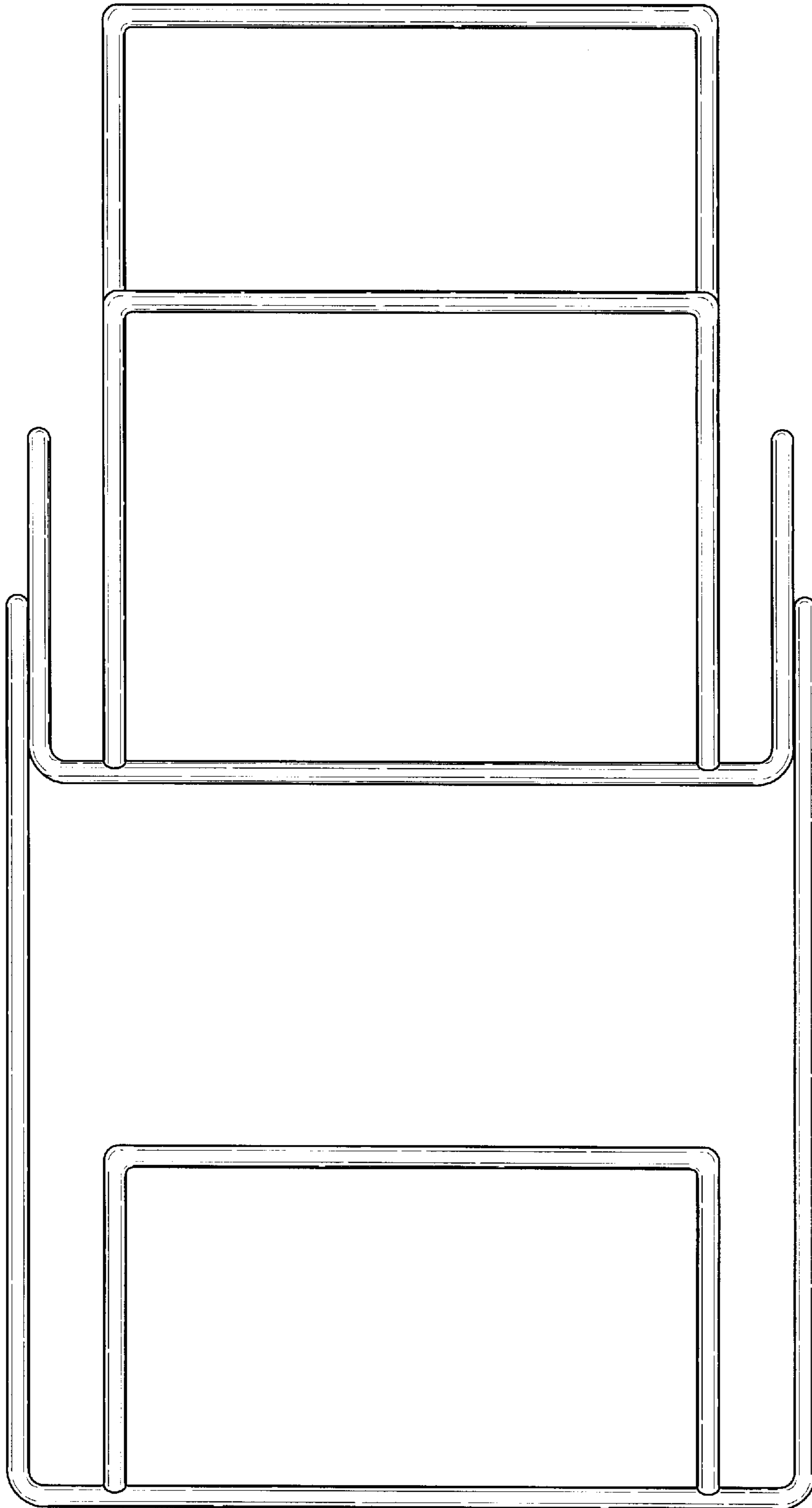


FIGURE 2

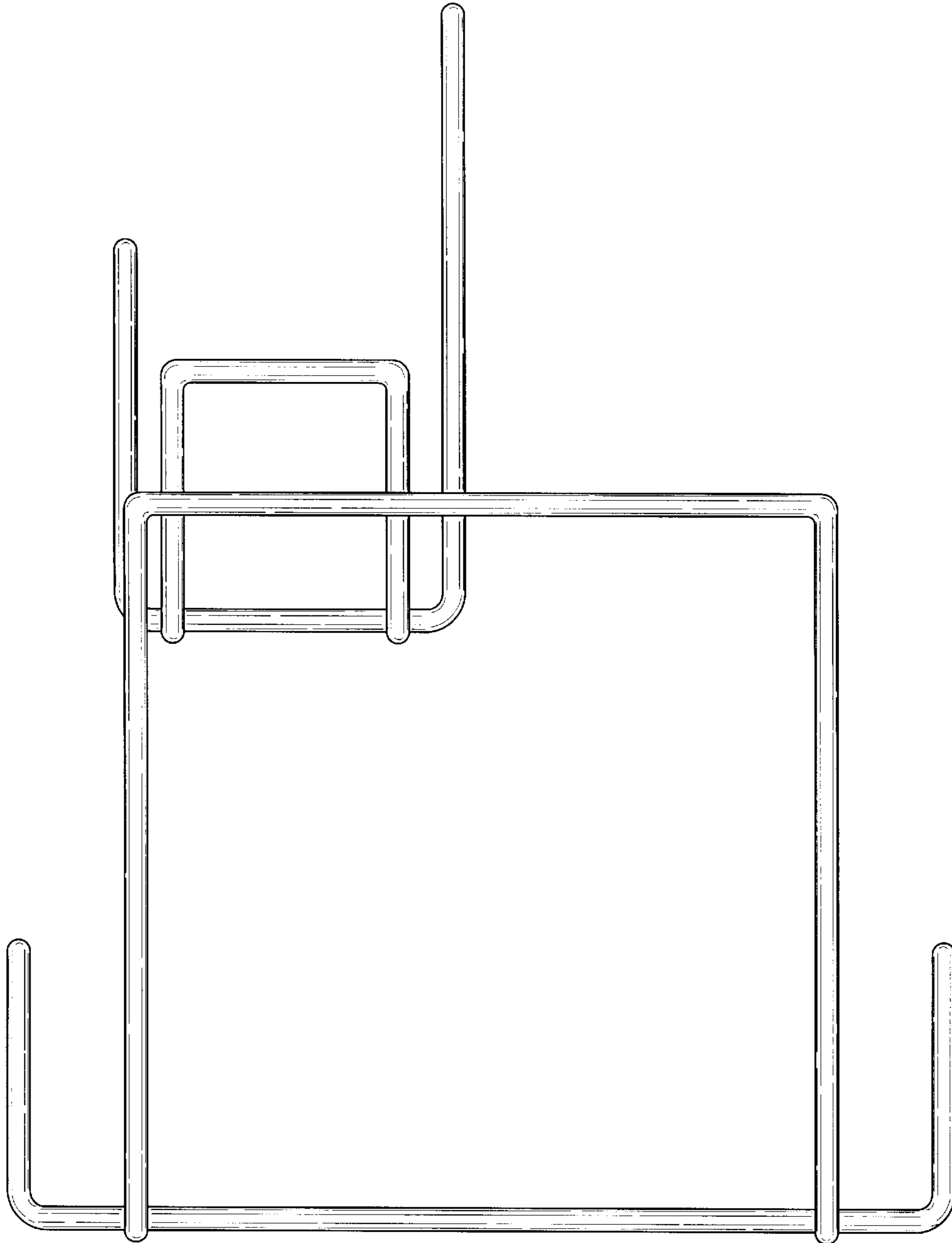


FIGURE 3

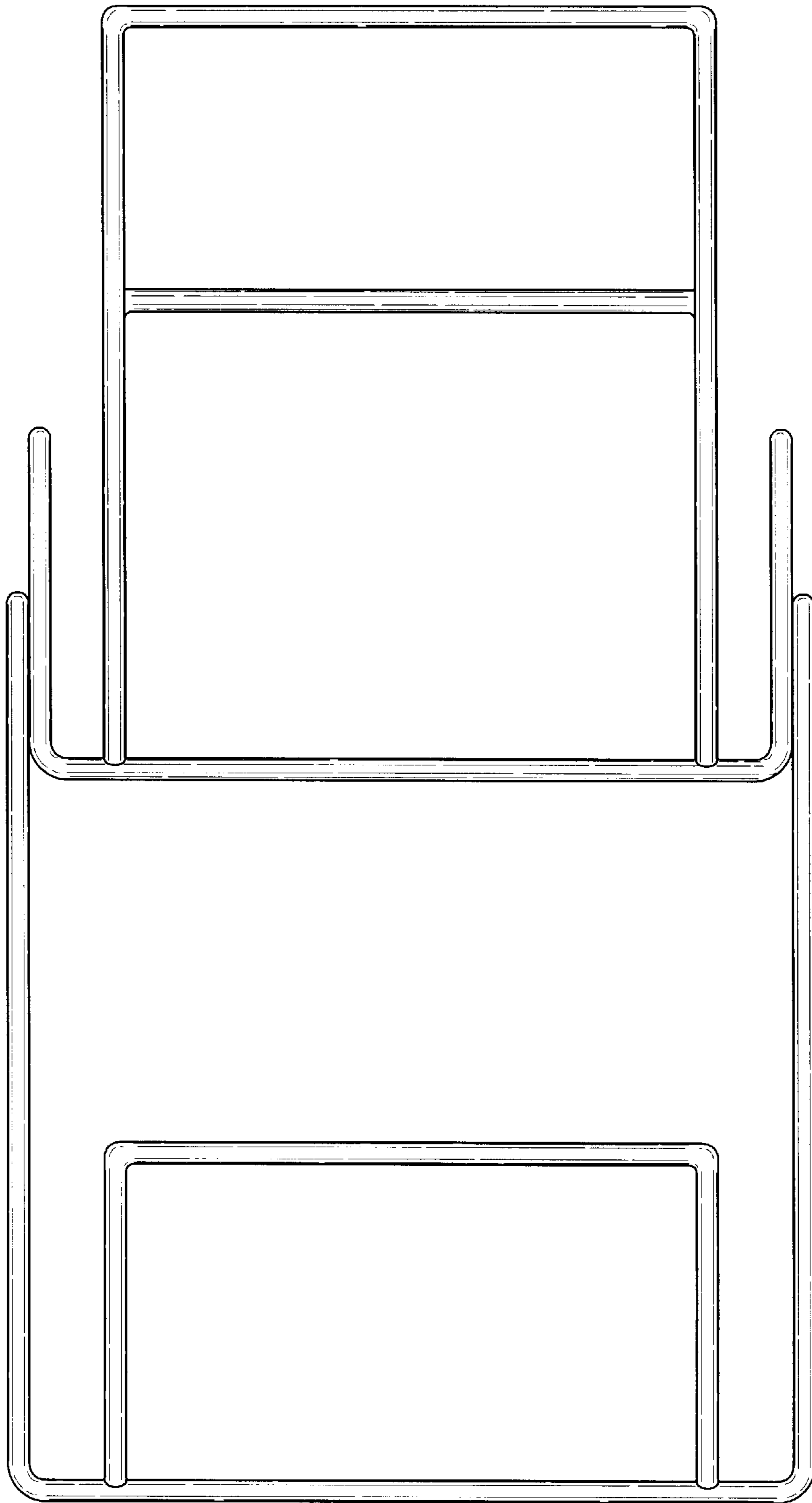


FIGURE 4

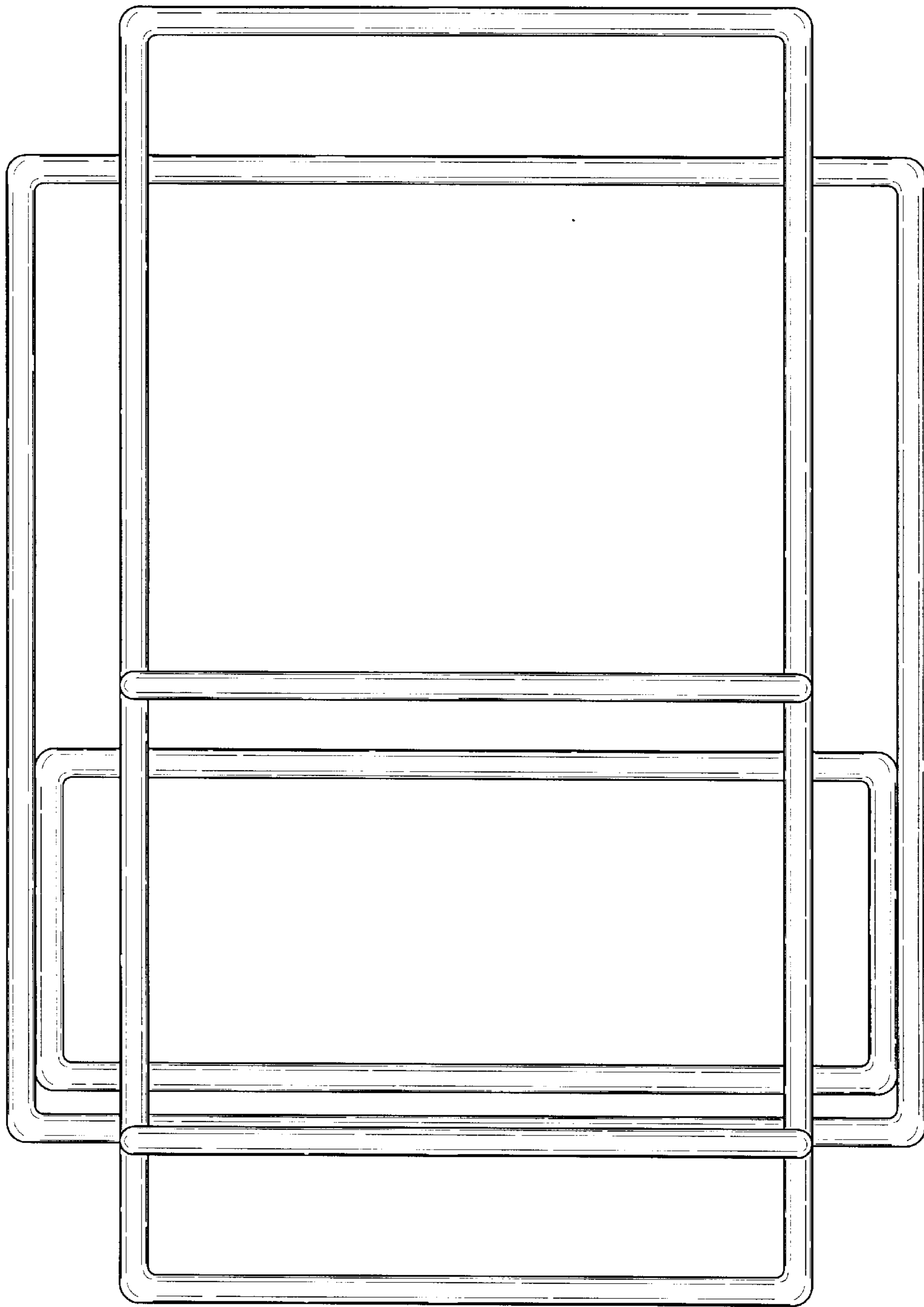


FIGURE 5

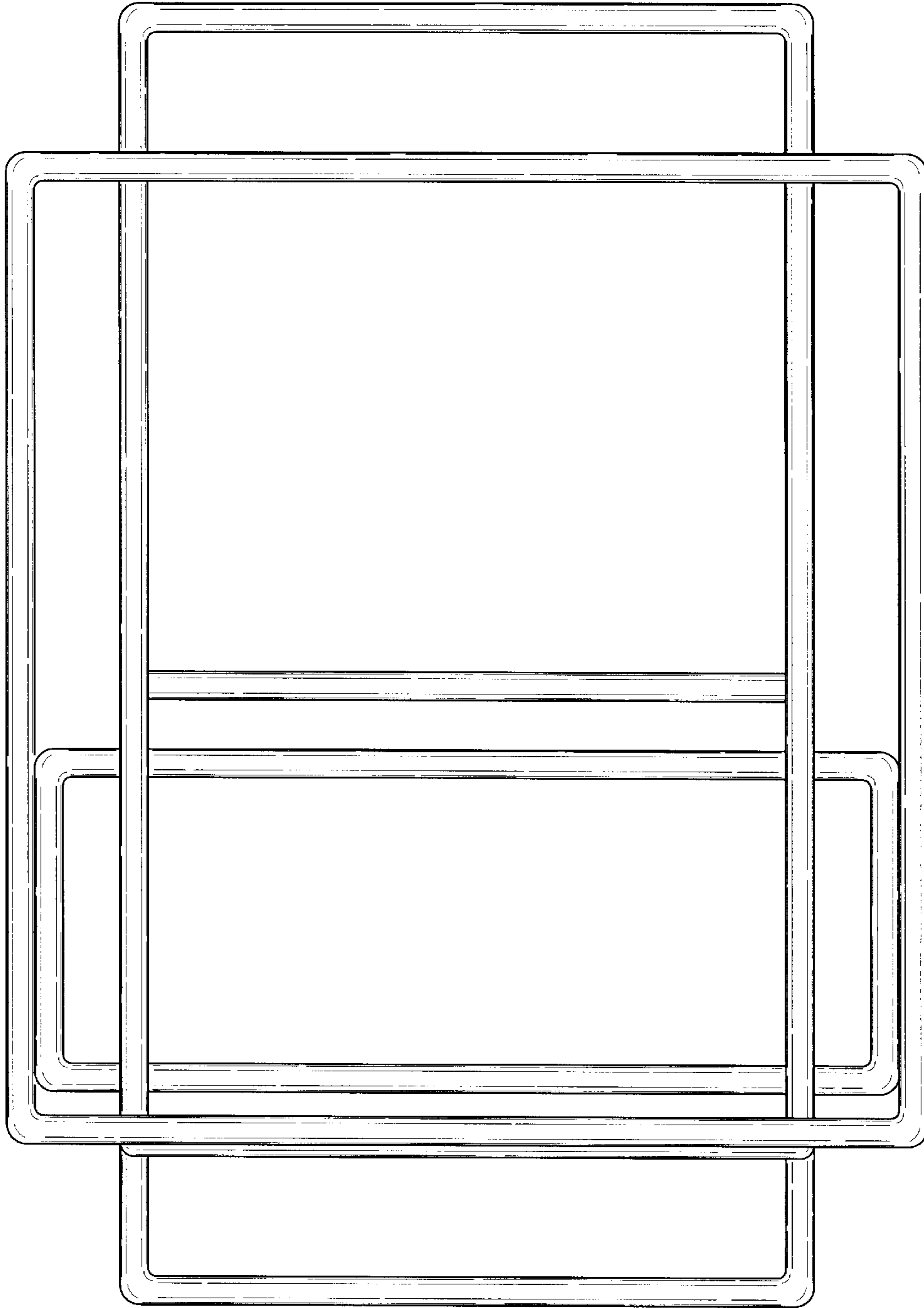


FIGURE 6

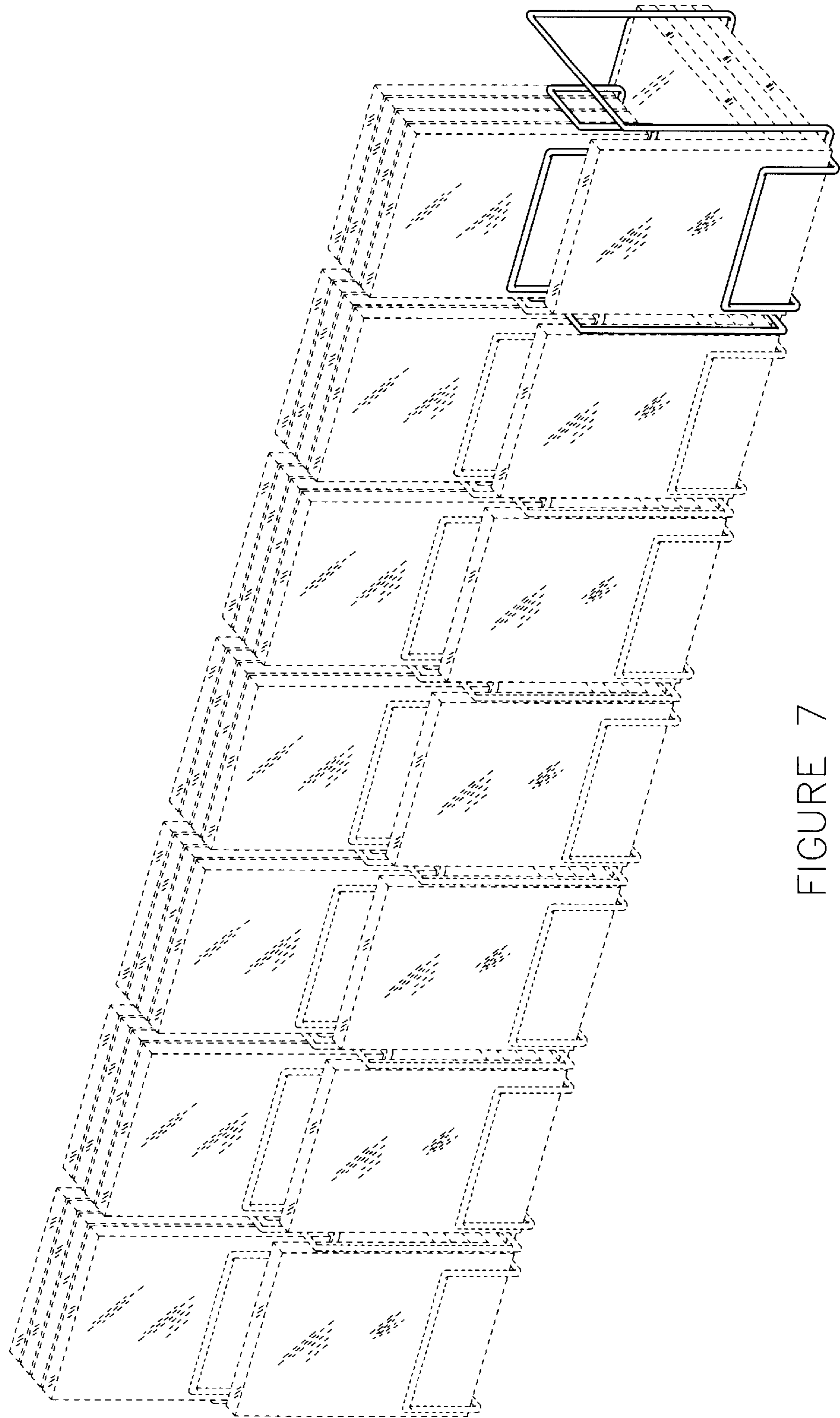


FIGURE 7

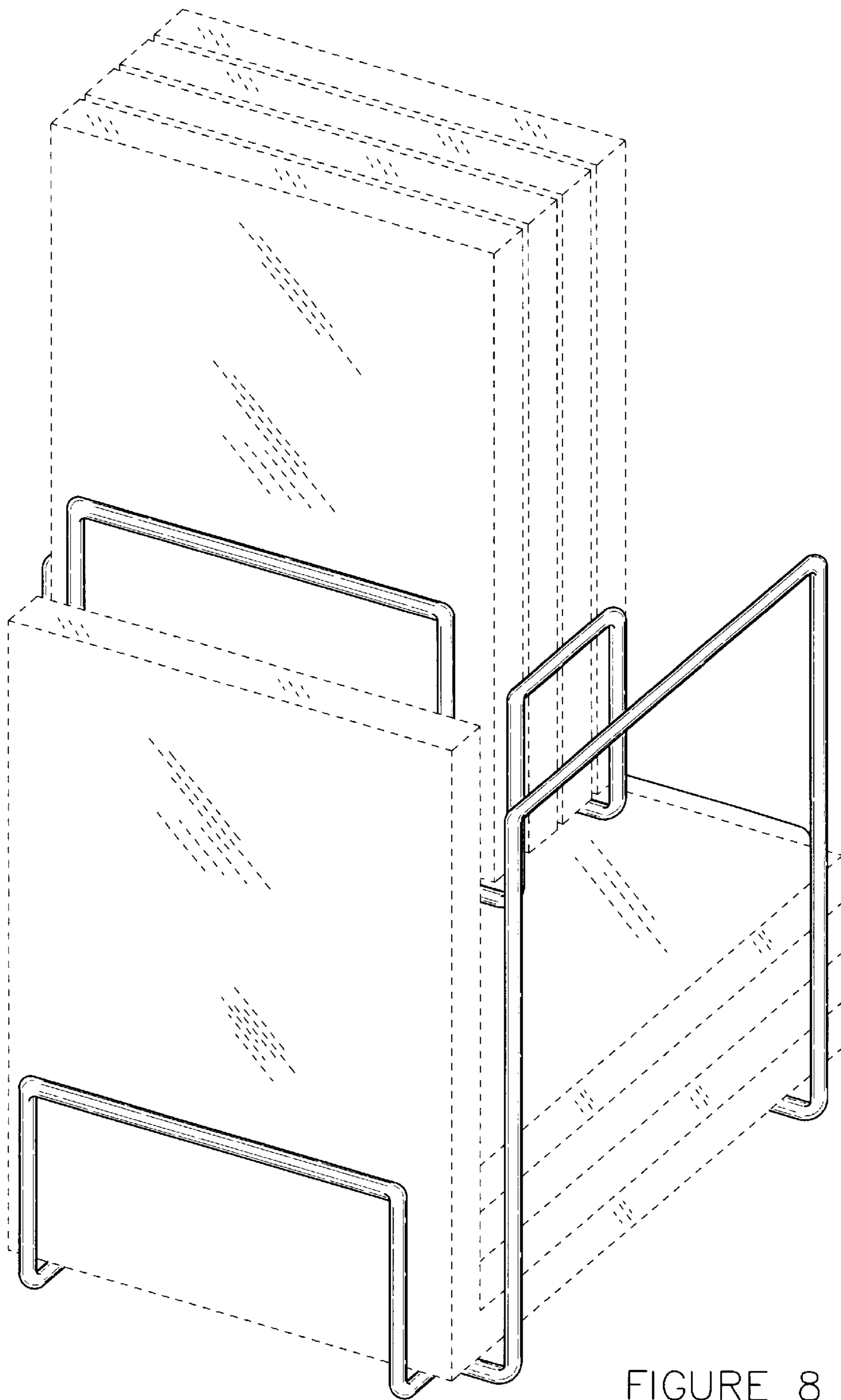


FIGURE 8

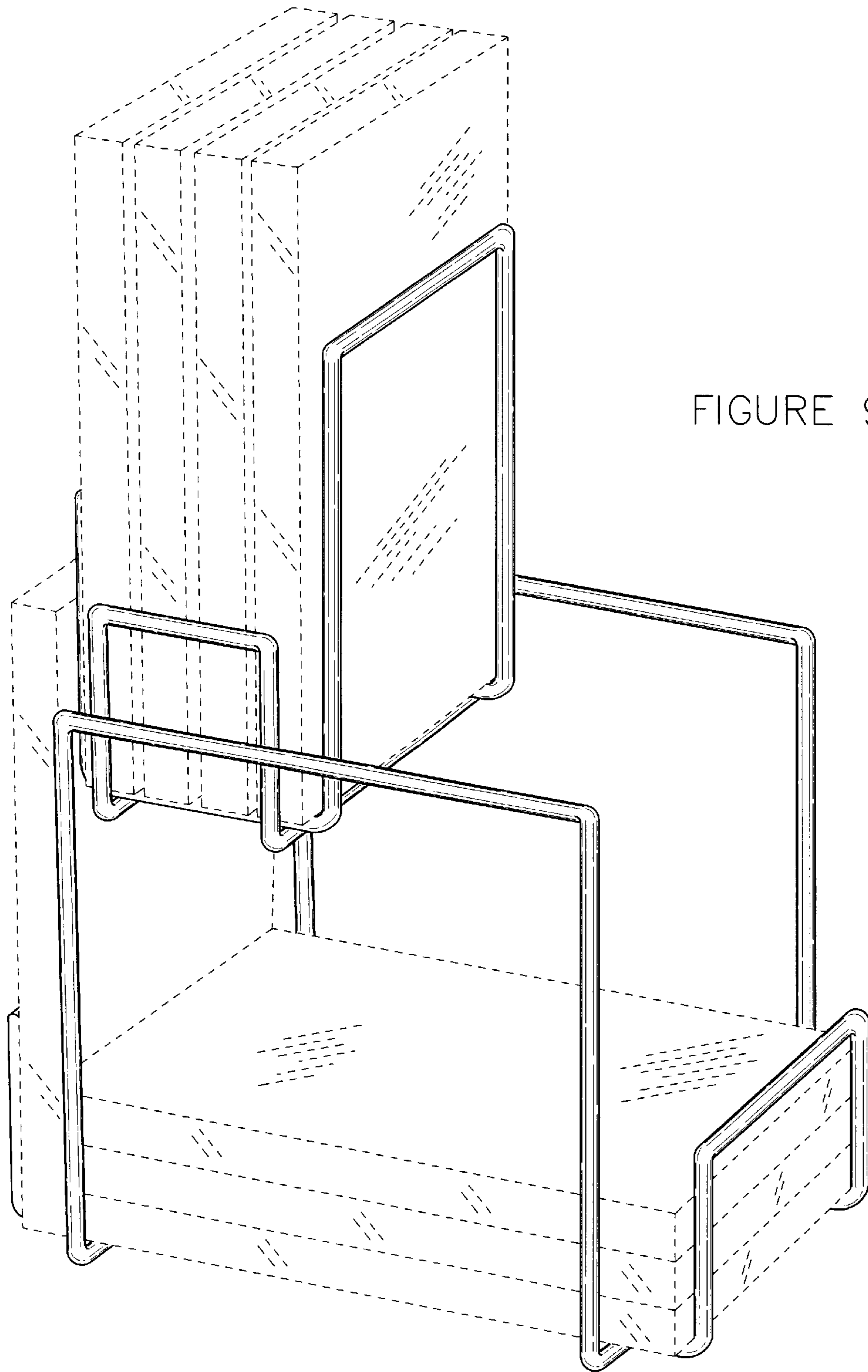


FIGURE 9