



US00D476169S

(12) **United States Design Patent**
Buono

(10) **Patent No.:** **US D476,169 S**

(45) **Date of Patent:** **** Jun. 24, 2003**

(54) **COLLAPSIBLE TABLE**

(75) Inventor: **Steven A. Buono**, Greeneville, TN (US)

(73) Assignee: **Maxchief Investments Limited**,
Kaohsiung (TW)

(**) Term: **14 Years**

(21) Appl. No.: **29/166,542**

(22) Filed: **Aug. 29, 2002**

3,777,675 A	12/1973	Hanusiak	
4,658,735 A	4/1987	Holton	
4,951,576 A	8/1990	Cobos et al.	
D350,862 S	9/1994	Beller	
5,865,128 A	2/1999	Tarnay	
D414,626 S	10/1999	Collins et al.	
5,984,047 A	11/1999	Rogers	
D419,332 S	1/2000	Collins et al.	
6,112,674 A	9/2000	Stanford	
6,431,086 B1 *	8/2002	Lloyd	108/36
6,431,092 B1	8/2002	Stanford	

Related U.S. Application Data

(63) Continuation-in-part of application No. 10/021,140, filed on Dec. 12, 2001.

(51) **LOC (7) Cl.** **06-03**

(52) **U.S. Cl.** **D6/429; D6/487**

(58) **Field of Search** D6/480-489, 495,
D6/499, 429-430; 108/124, 153.1, 155,
156, 157.1, 161, 125, 126, 115, 127, 130,
131; 248/188, 188.1, 188.8

(56) **References Cited**

U.S. PATENT DOCUMENTS

159,227 A	1/1875	Sinclair	
236,197 A	1/1881	Valley	
1,487,497 A	3/1924	Whewell	
1,757,260 A	5/1930	Silverman	
1,956,946 A	5/1934	Duffy	
D99,726 S *	5/1936	Powell	D6/480
2,278,810 A	4/1942	Virtue et al.	
2,474,450 A	6/1949	Woodruff	
2,689,158 A *	9/1954	Mahr	108/131
2,939,516 A	6/1960	Drew	
3,072,451 A	1/1963	Greenberg et al.	
3,357,729 A	12/1967	Krueger	

OTHER PUBLICATIONS

Virco, c1983, p. 27, table #C.*
Igloo it's for Keeps, The Most Lightweight, Durable Versatile Table You'll Every Carry. (US).

* cited by examiner

Primary Examiner—Janice E. Seeger
(74) *Attorney, Agent, or Firm*—Luedeka, Neely & Graham, P.C.

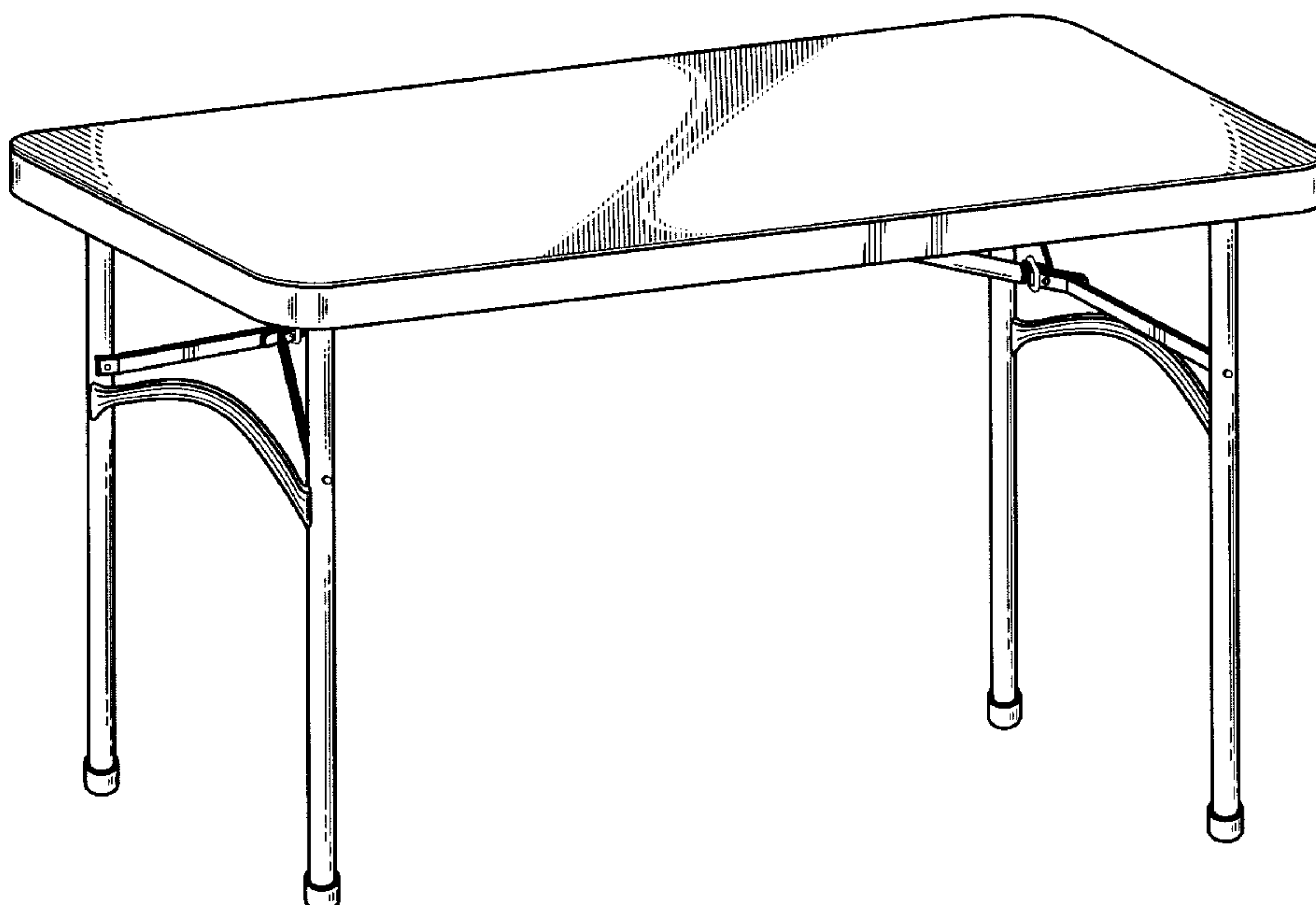
(57) **CLAIM**

The ornamental design of a collapsible table, as shown and described.

DESCRIPTION

FIG. 1 is Top Perspective View;
FIG. 2 is a Bottom Perspective View;
FIG. 3 is a Top Plan View;
FIG. 4 is a Bottom Plan View;
FIG. 5 is a Side Elevation View, wherein the other side is symmetrical; and,
FIG. 6 is an End Elevation View, wherein the other end is symmetrical.

1 Claim, 6 Drawing Sheets



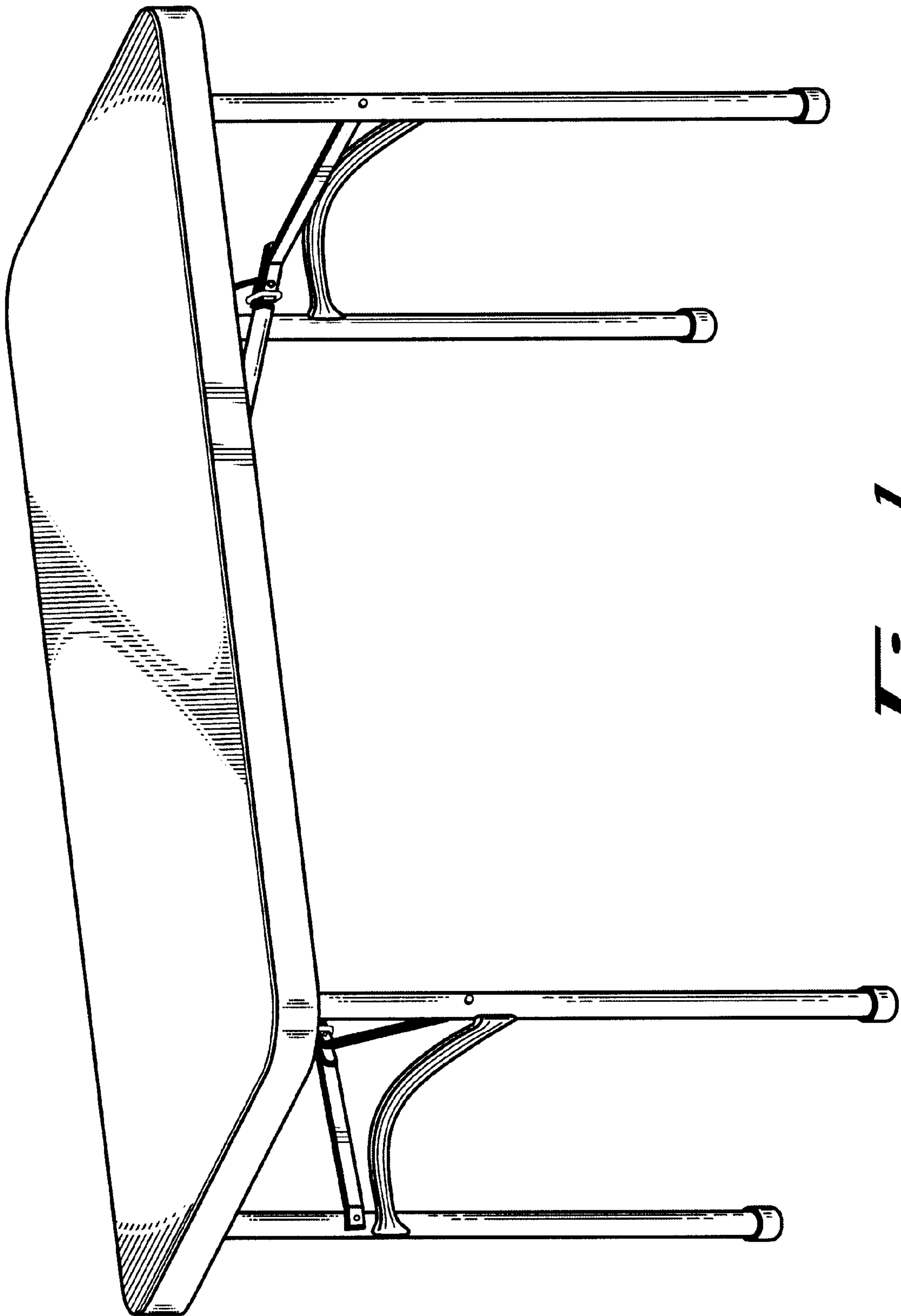


Fig. 1

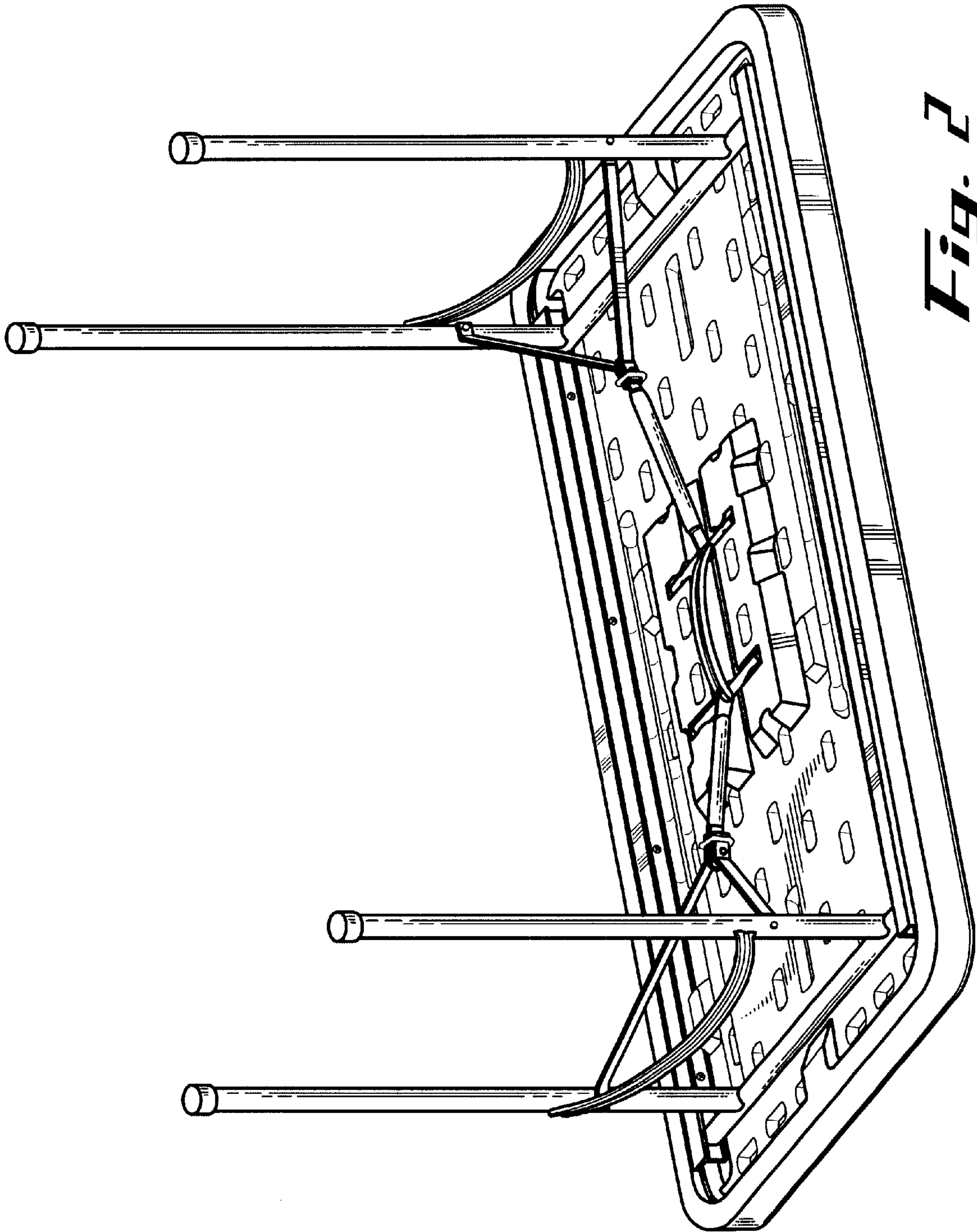


Fig. 2

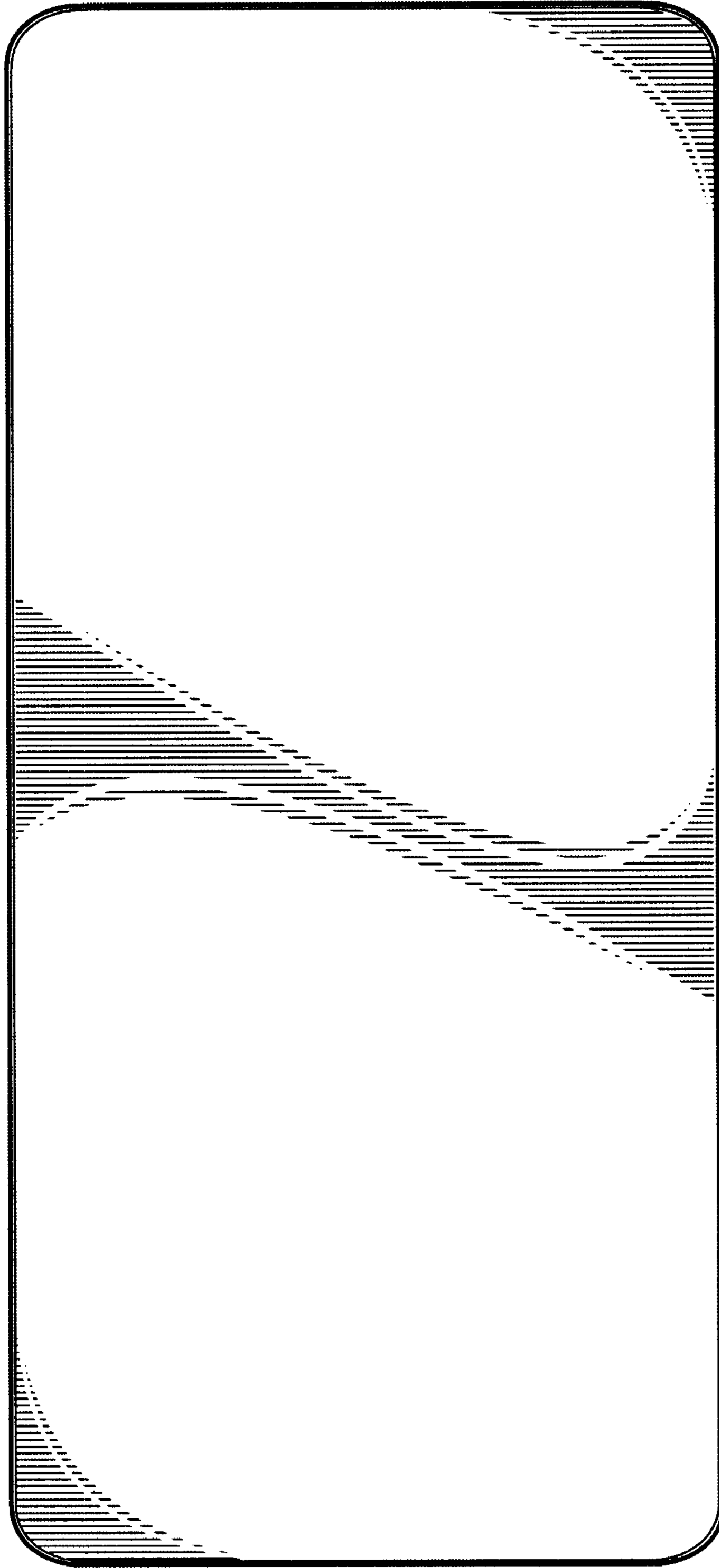


Fig. 3

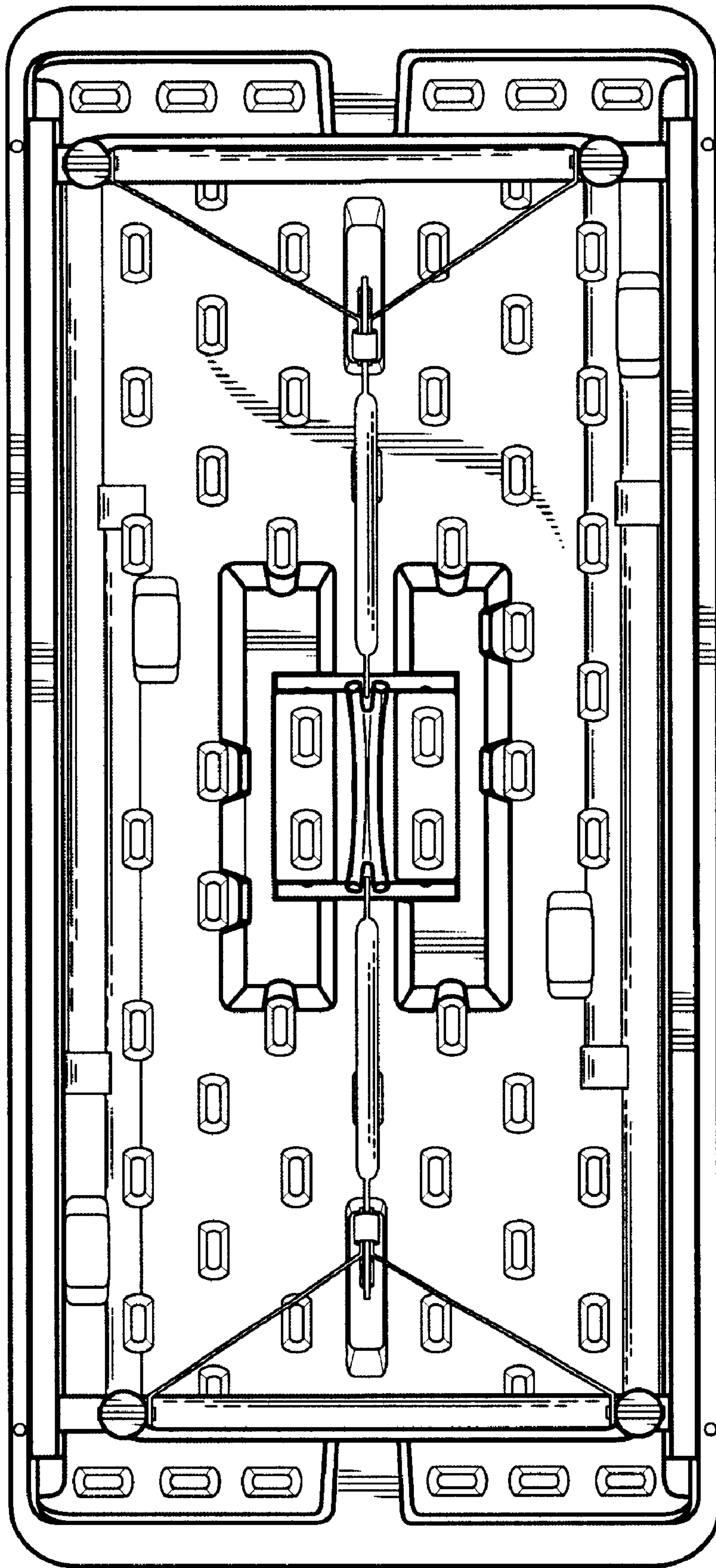


Fig. 4

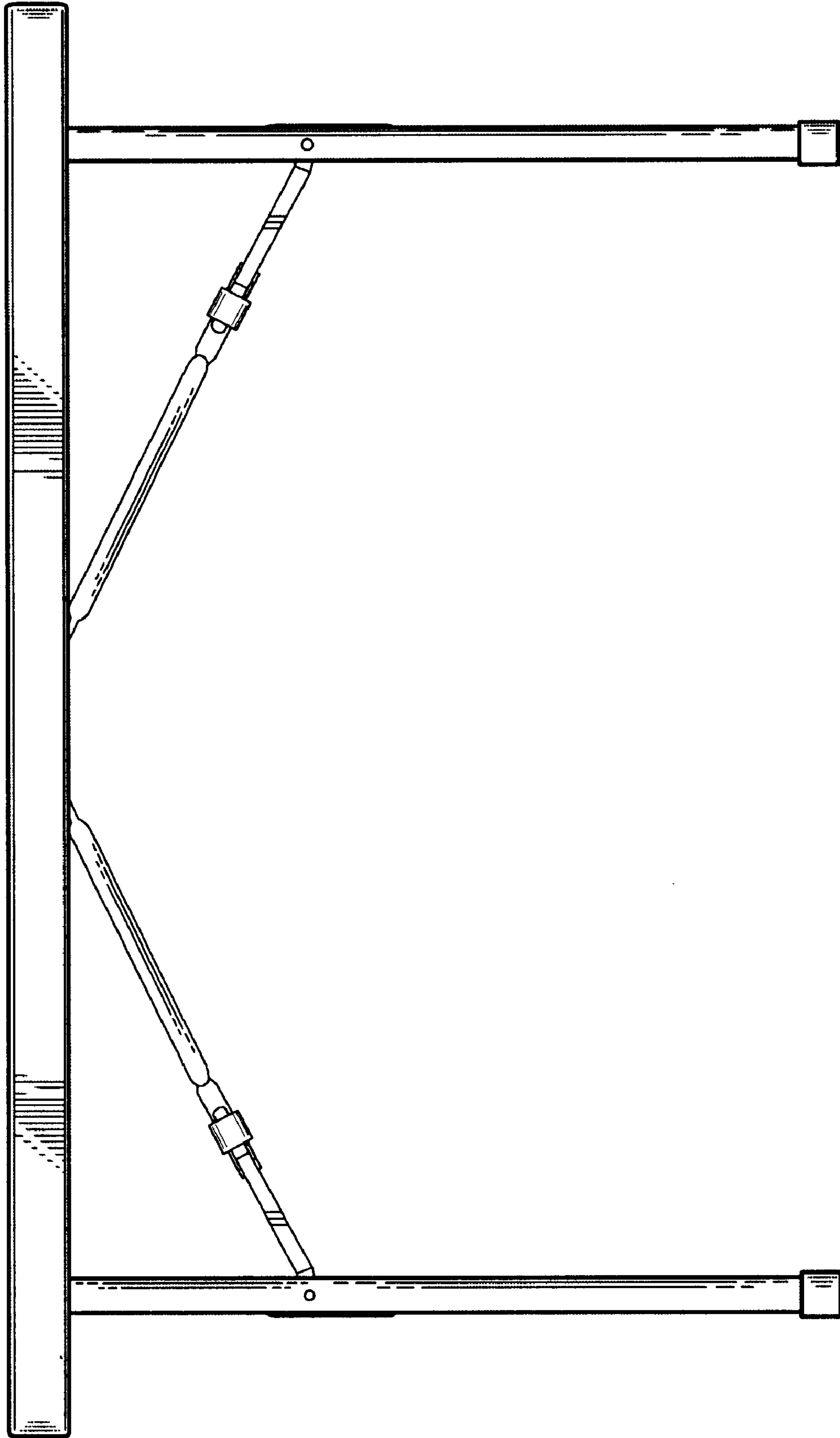


Fig. 5

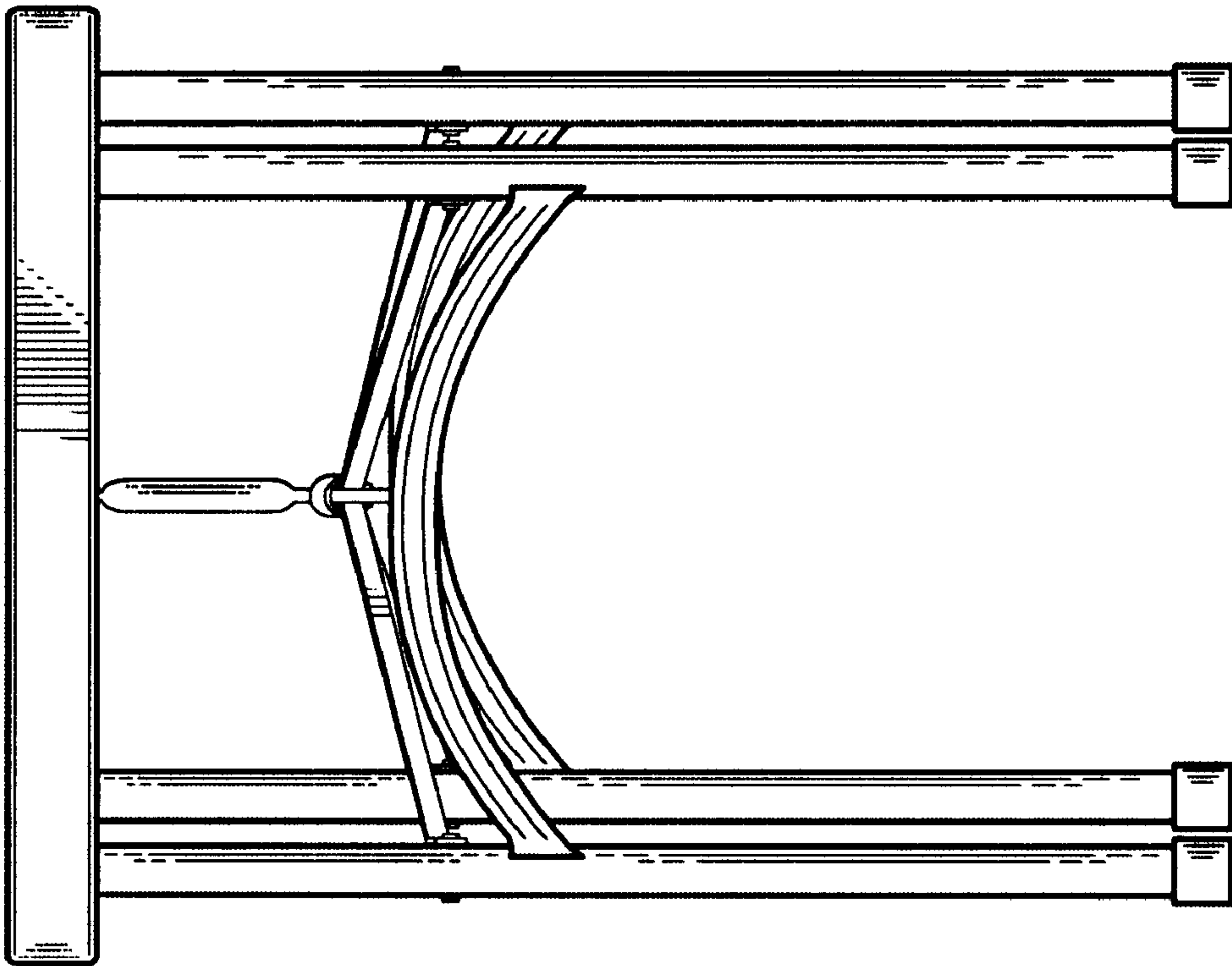


Fig. 6