



US00D476160S

(12) **United States Design Patent**
Choi

(10) **Patent No.:** **US D476,160 S**

(45) **Date of Patent:** **** Jun. 24, 2003**

(54) **BRUSH**

(75) **Inventor:** **Lung Wai Choi, Kowloon (HK)**

(73) **Assignee:** **Goodway Electrical Co. Ltd.,
Kowloon (HK)**

(**) **Term:** **14 Years**

(21) **Appl. No.:** **29/136,518**

(22) **Filed:** **Jan. 31, 2001**

(30) **Foreign Application Priority Data**

Sep. 28, 2000 (GB) 2096183

(51) **LOC (7) Cl.** **04-01**

(52) **U.S. Cl.** **D4/121; D4/133; D4/137**

(58) **Field of Search** D4/100, 114, 119-121,
D4/132-134; D32/17, 35; 15/104.001, 114,
143.1, 159.1, 160, 172, 186, 187; 38/69;
68/222; 392/394, 403-405

(56) **References Cited**

U.S. PATENT DOCUMENTS

2,849,736 A * 9/1958 Kohle 68/222 X
4,073,027 A * 2/1978 Tsuruzawa et al. 15/172

4,206,340 A * 6/1980 Osrow et al. 38/69 X
D256,294 S * 8/1980 Su D4/121
D304,883 S * 12/1989 Fan D4/137
5,121,464 A * 6/1992 Hanada et al. 392/405

* cited by examiner

Primary Examiner—Alan P. Douglas

Assistant Examiner—Lavone D. Tabor

(74) *Attorney, Agent, or Firm*—Christensen O'Connor
Johnson Kindness PLLC

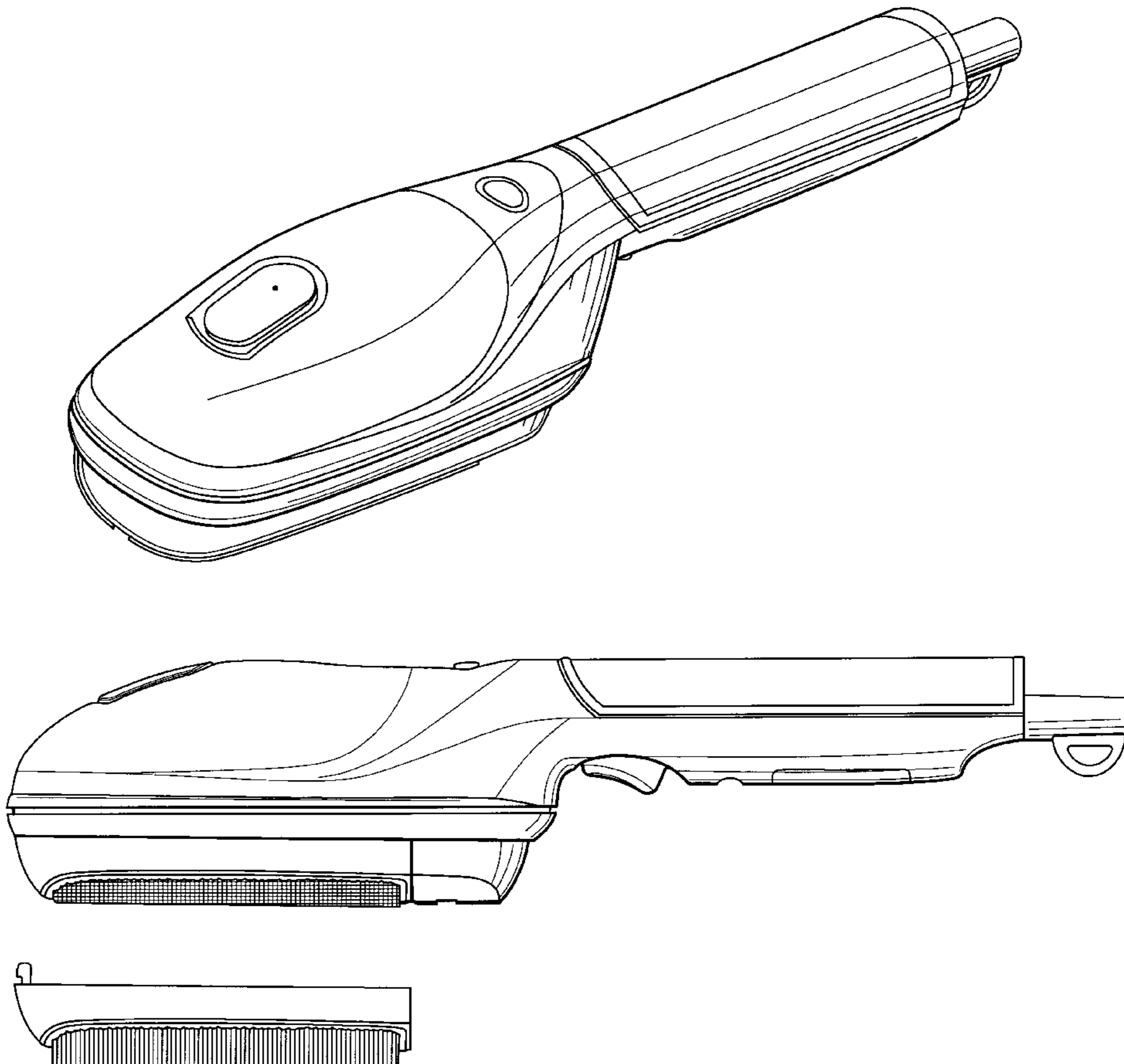
(57) **CLAIM**

I claim the ornamental design for a brush, as shown and described.

DESCRIPTION

FIG. 1 is a perspective view of my brush;
FIG. 2 is a top plan view thereof;
FIG. 3 is an exploded side elevational view of FIG. 1;
FIG. 4 is an elevational view of the opposite side of FIG. 3;
FIG. 5 is a front elevational view of FIG. 3;
FIG. 6 is a rear elevational view of FIG. 3; and,
FIG. 7 is a separated bottom plan view of FIG. 1 with the
bristle attachment positioned to one side of the brush.

1 Claim, 4 Drawing Sheets



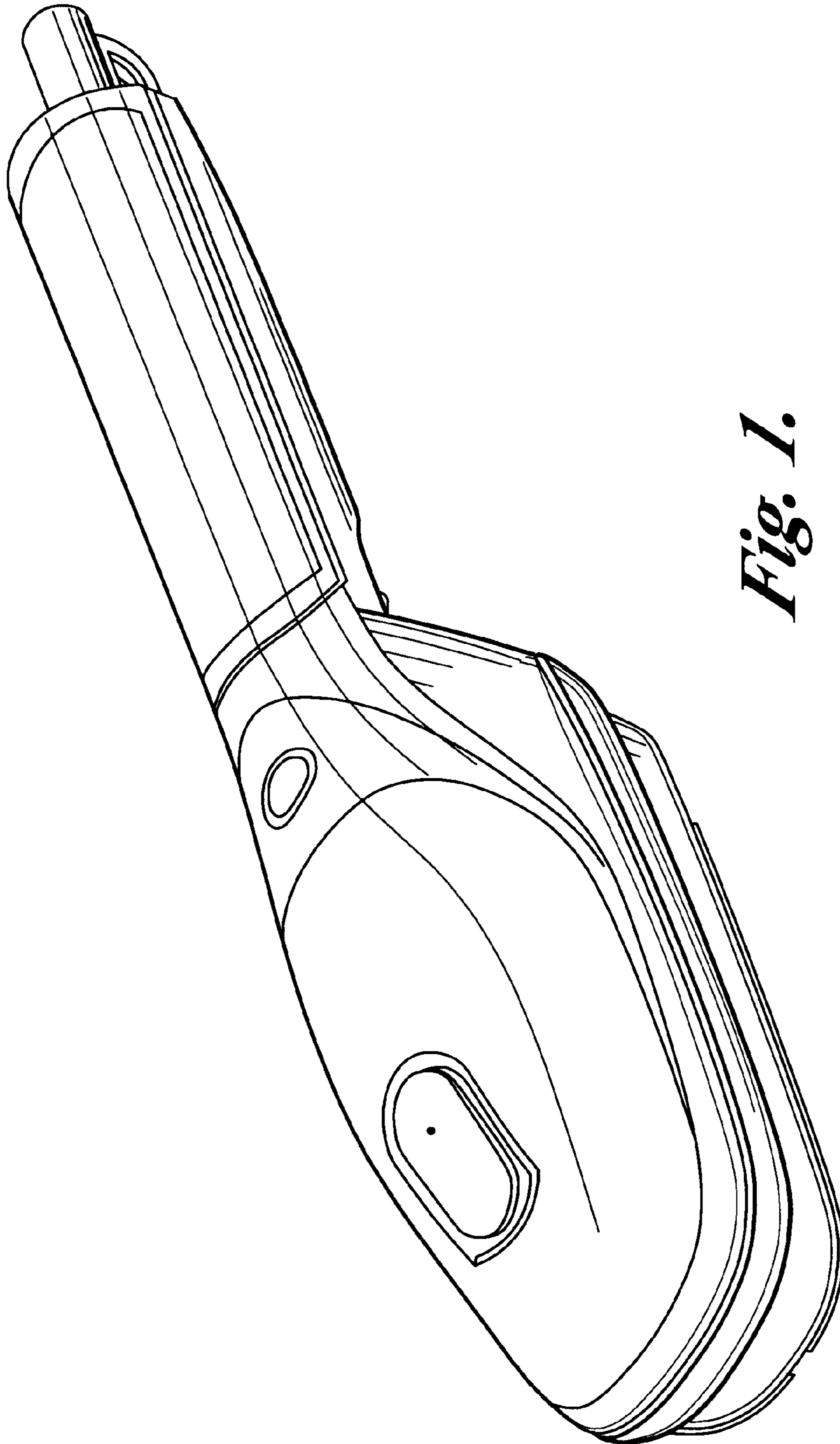


Fig. 1.

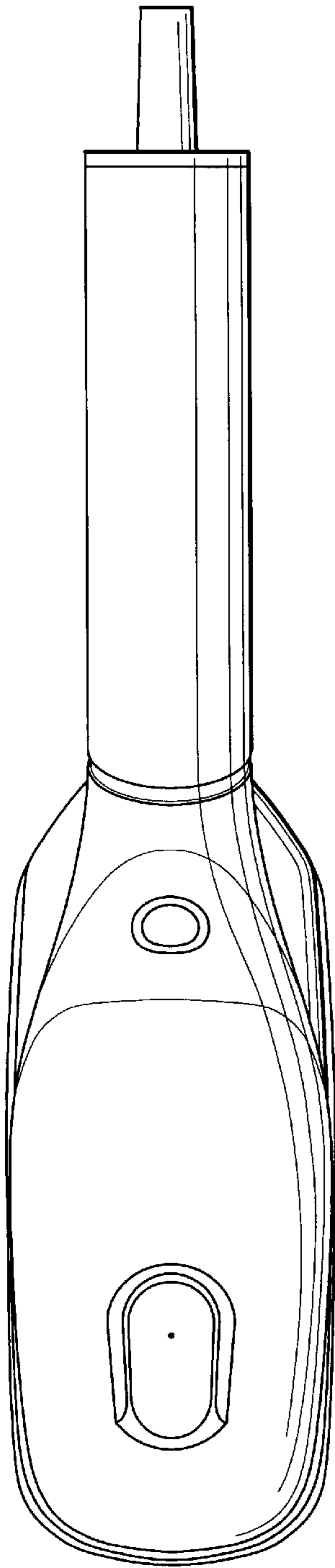


Fig. 2.

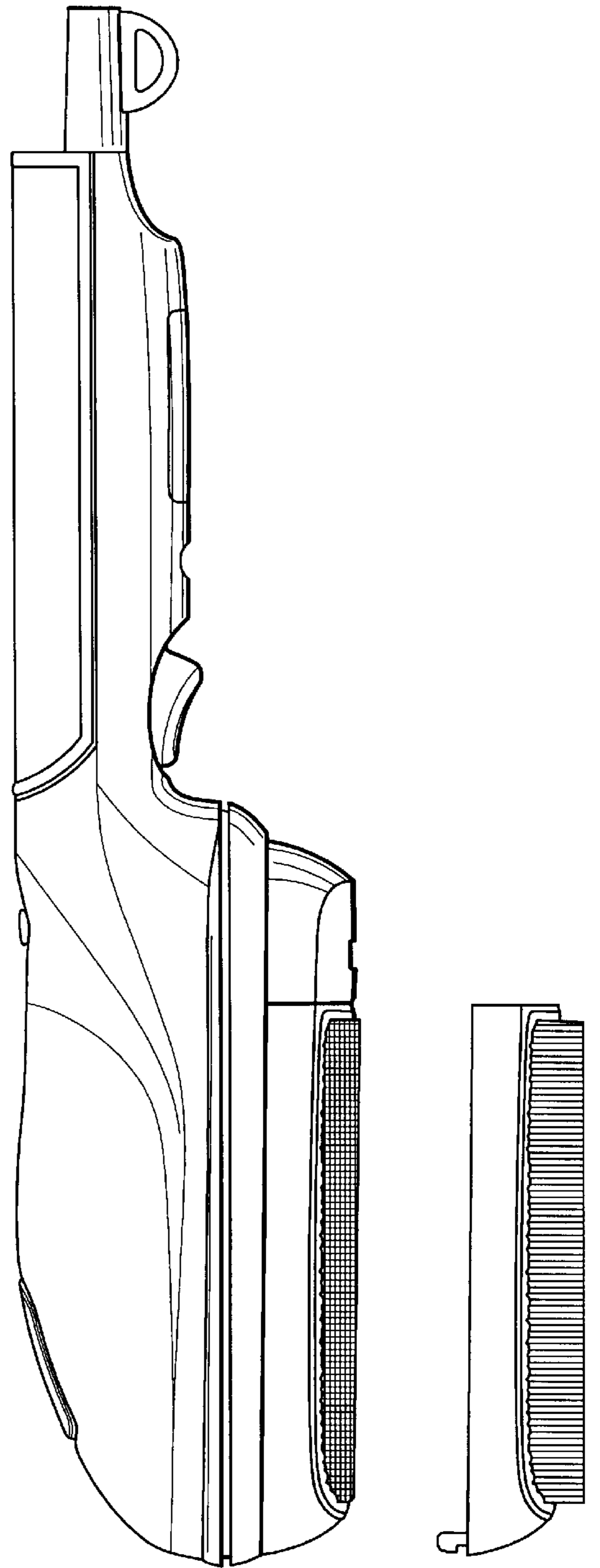
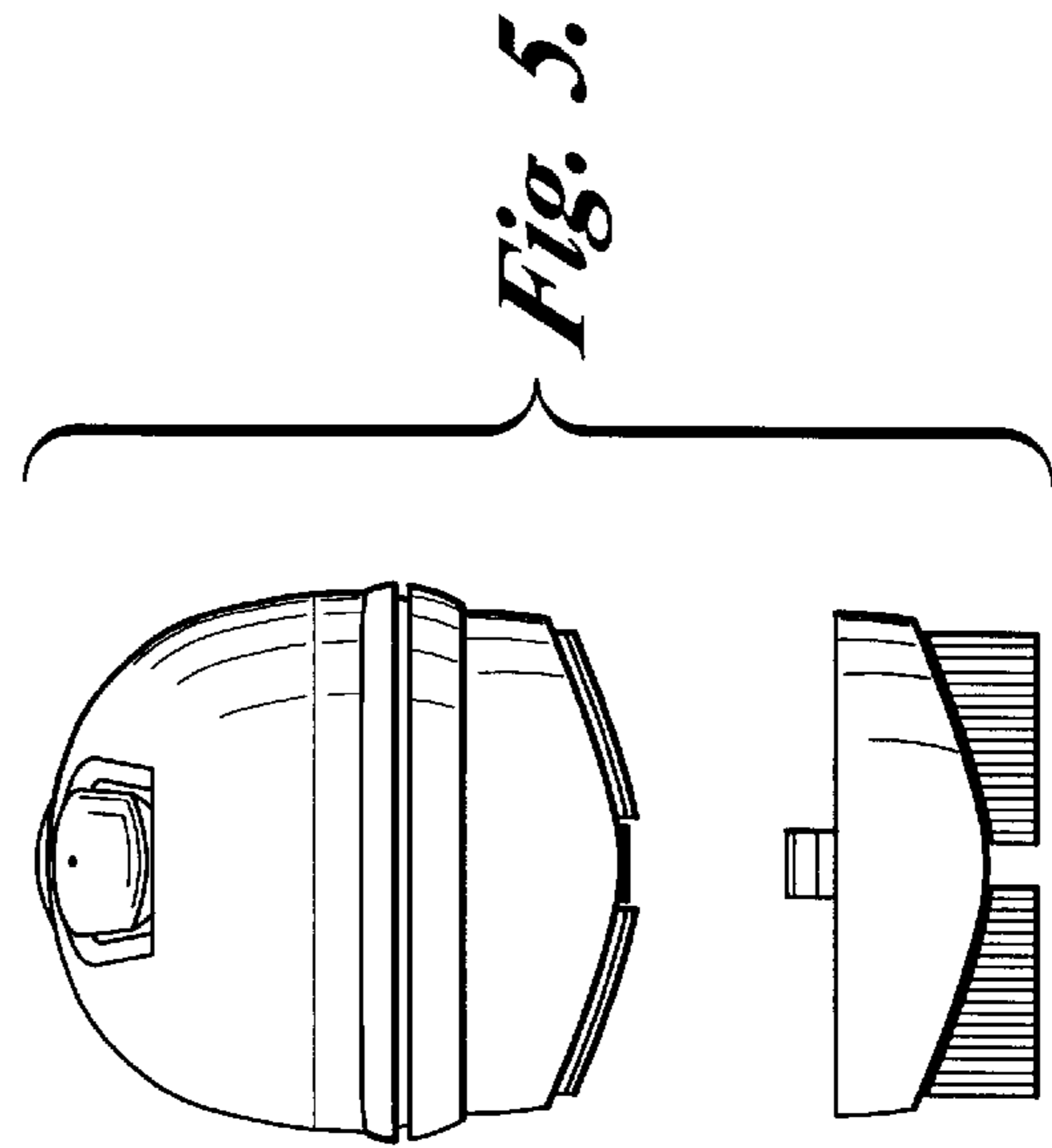
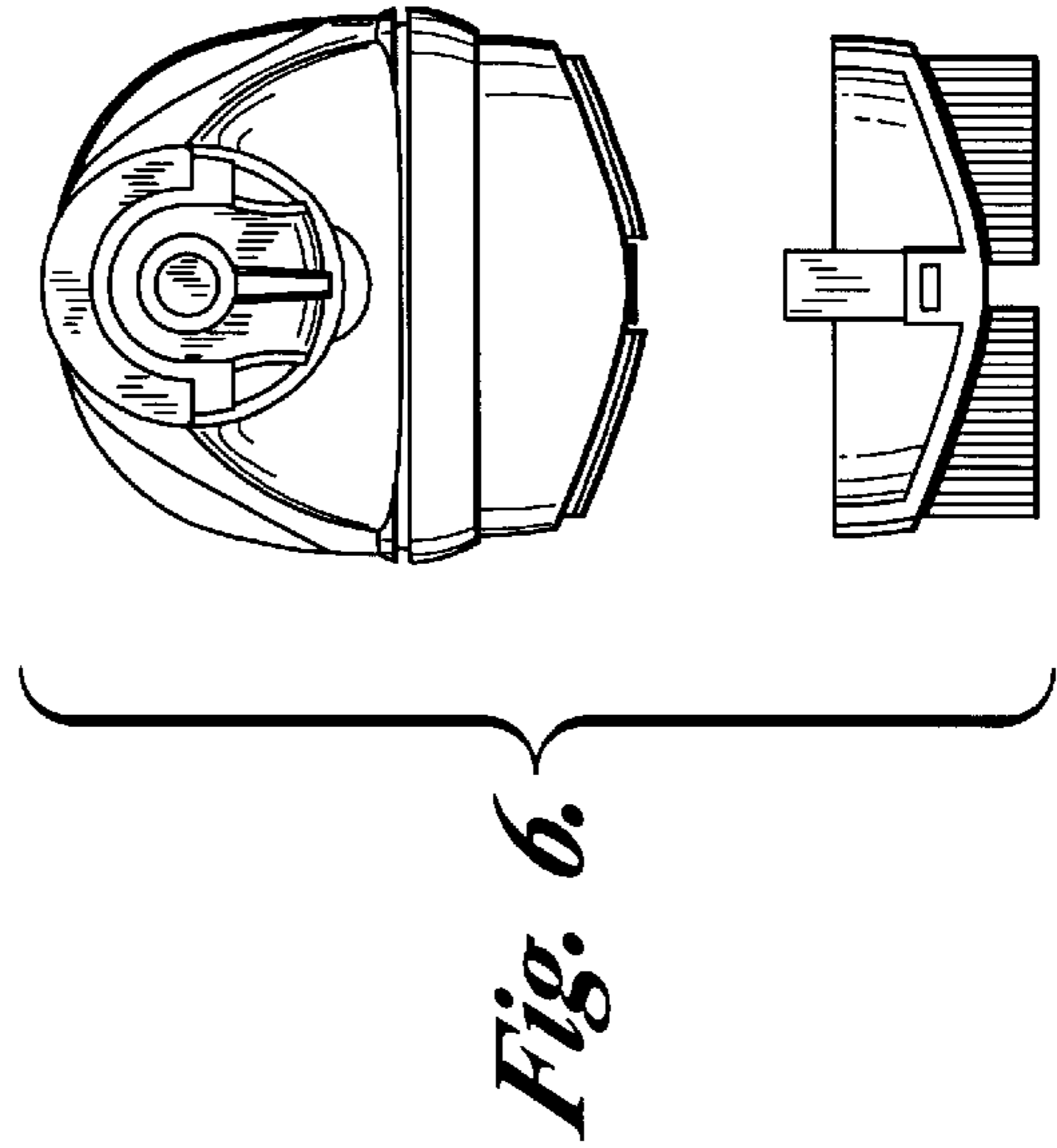
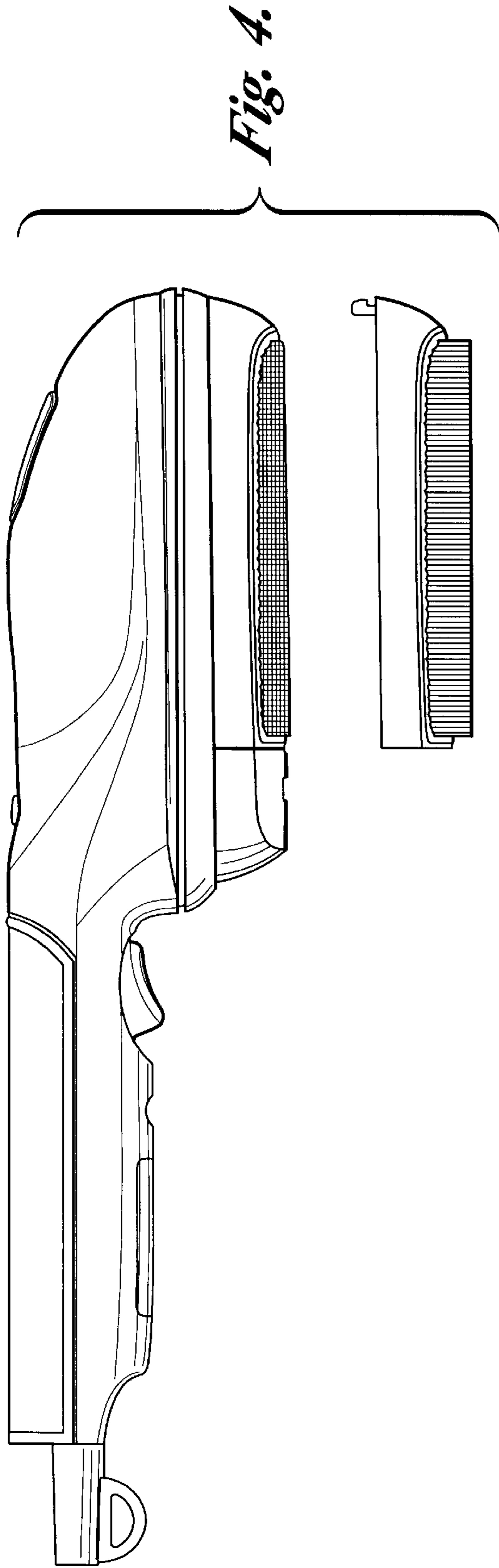


Fig. 3.



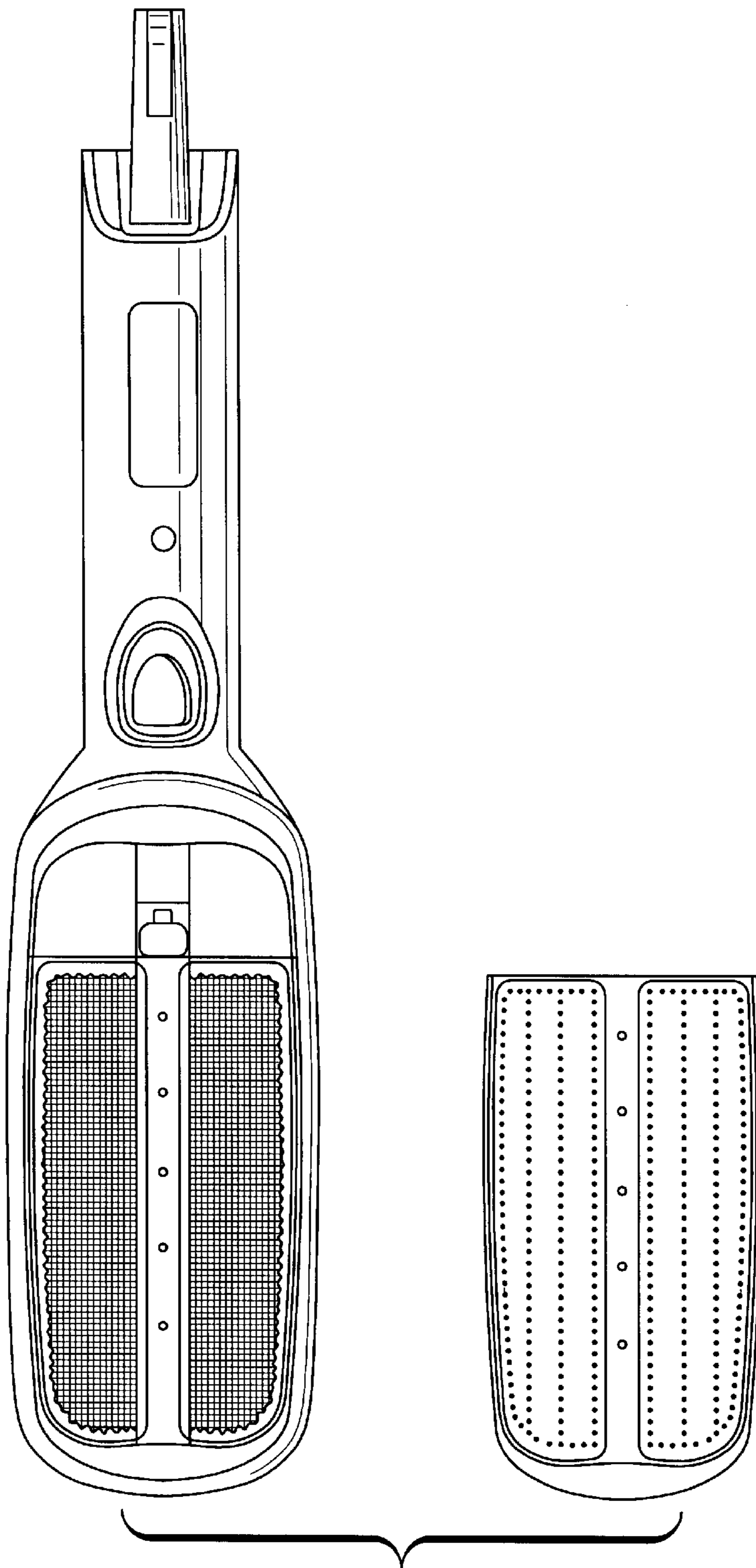


Fig. 7.