



US00D476157S

(12) **United States Design Patent**
Gatzemeyer et al.

(10) **Patent No.:** **US D476,157 S**

(45) **Date of Patent:** **** Jun. 24, 2003**

(54) **POWERED TOOTHBRUSH BRISTLE PATTERN**

(75) Inventors: **John J. Gatzemeyer**, Hillsborough, NJ (US); **Joseph Edward Fattori**, Mendham, NJ (US); **Fung Kut Hui**, Cityone Shatin (HK)

(73) Assignee: **Colgate-Palmolive Company**, New York, NY (US)

(**) Term: **14 Years**

(21) Appl. No.: **29/167,337**

(22) Filed: **Sep. 12, 2002**

Related U.S. Application Data

(63) Continuation-in-part of application No. 10/107,093, filed on Mar. 26, 2002.

(51) **LOC (7) Cl.** **04-02**

(52) **U.S. Cl.** **D4/101**

(58) **Field of Search** D4/101, 104-112; 15/143.1, 167.1-167.2, 159.1, 186-187, 22.1

(56) **References Cited**

U.S. PATENT DOCUMENTS

5,524,312 A * 6/1996 Tan et al. 15/22.1

D397,252 S * 8/1998 Allende D4/101
6,237,178 B1 * 5/2001 Krammer et al. 15/22.1
D456,998 S * 5/2002 Blaustein et al. D4/101
D457,728 S * 5/2002 Blaustein et al. D4/104
D458,455 S * 6/2002 Blaustein et al. D4/104
D459,892 S * 7/2002 Eliav et al. D4/101

* cited by examiner

Primary Examiner—Holly Baynham

(74) *Attorney, Agent, or Firm*—Henry S. Goldfine

(57) **CLAIM**

The ornamental design for a powered toothbrush bristle pattern, as shown and described.

DESCRIPTION

FIG. 1 is a front elevation view of the power toothbrush bristle pattern of my new design;

FIG. 2 is a left side elevation view thereof, the right side being a mirror image;

FIG. 3 is a top view thereof; and,

FIG. 4 is a front perspective view thereof, as seen from the bottom left side.

The power toothbrush neck and head are shown in broken lines for illustrative purposes only and form no part of the claimed design.

1 Claim, 2 Drawing Sheets

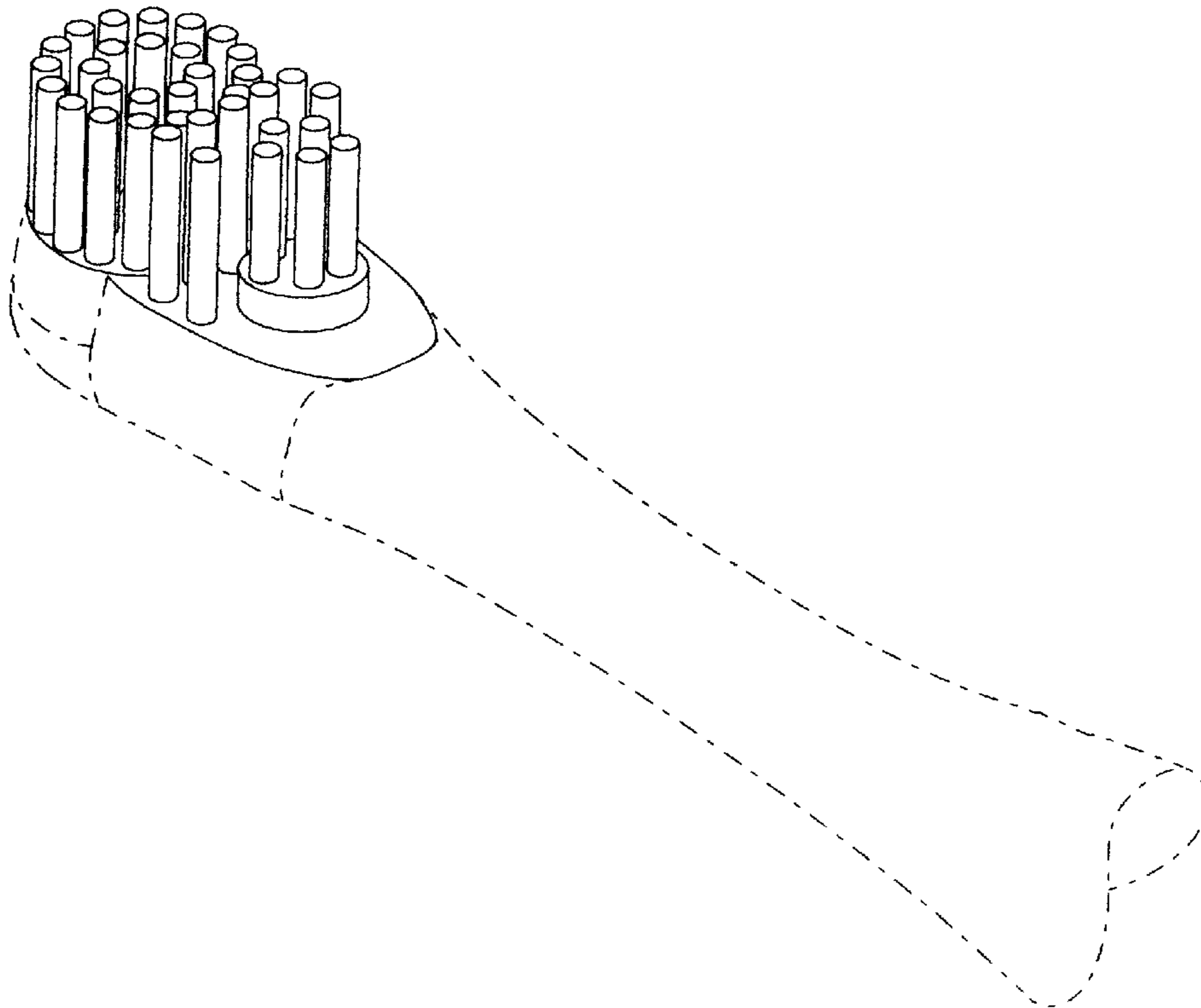


FIG. 1

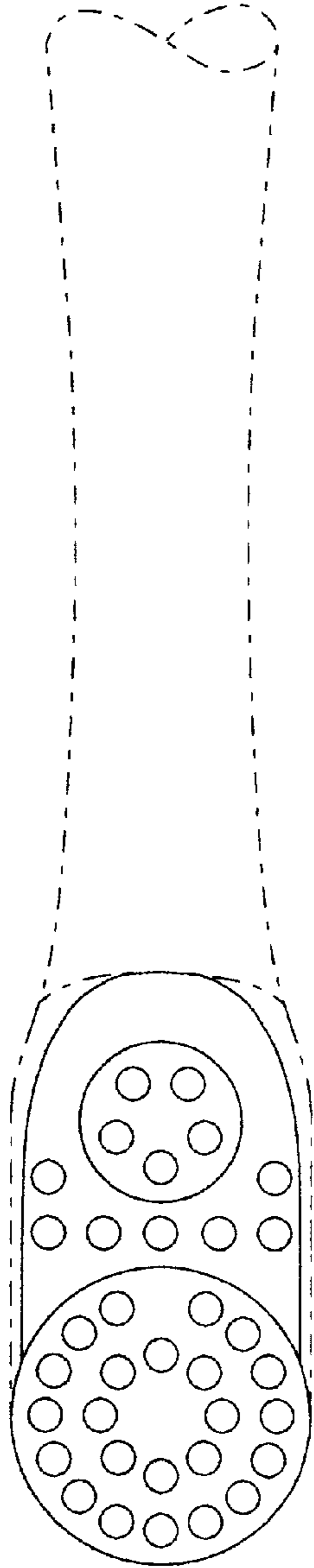
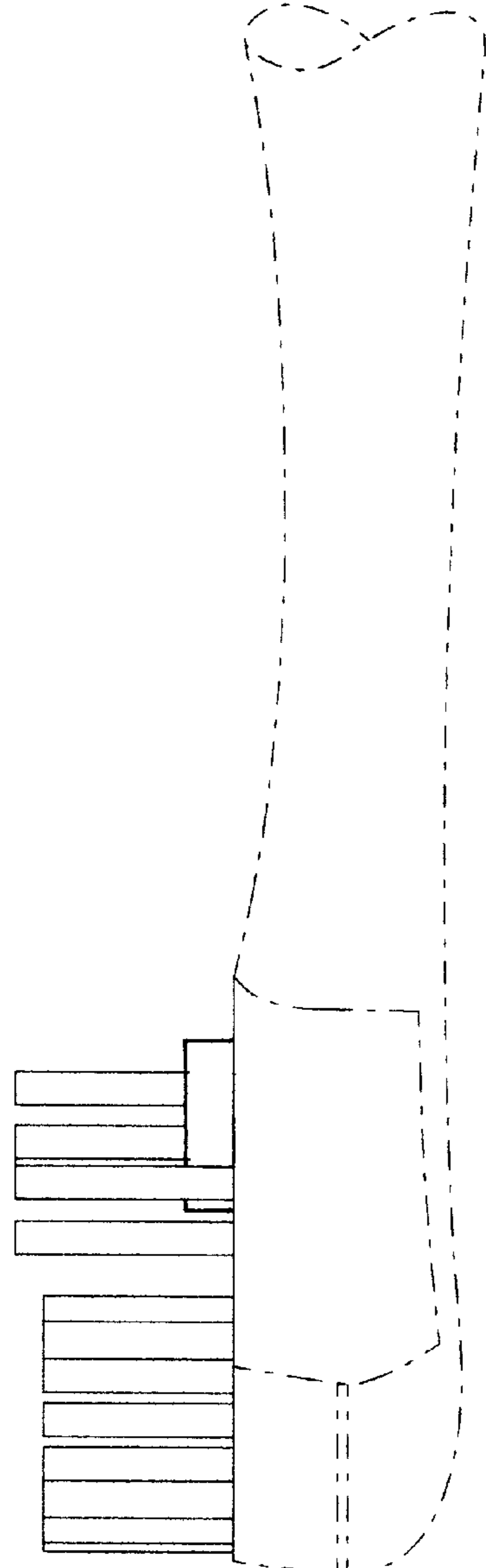


FIG. 2



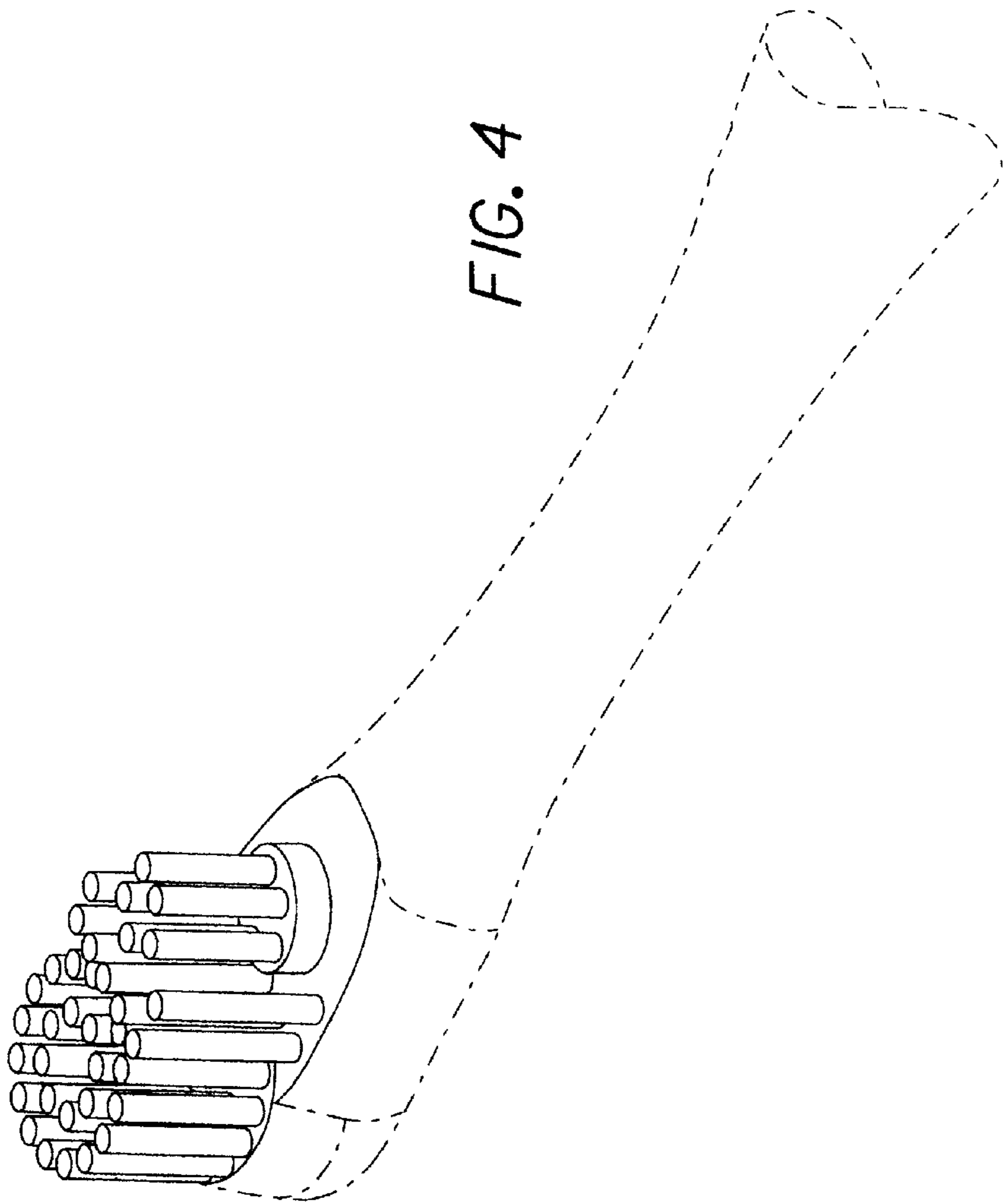


FIG. 3

