



US00D476143S

(12) **United States Design Patent**
McDowell

(10) **Patent No.:** **US D476,143 S**
(45) **Date of Patent:** **** Jun. 24, 2003**

(54) **PORTION OF A SHOE OUTSOLE**

(75) Inventor: **Sean Michael McDowell**, Beaverton,
OR (US)

(73) Assignee: **Nike, Inc.**, Beaverton, OR (US)

(**) Term: **14 Years**

(21) Appl. No.: **29/169,623**

(22) Filed: **Oct. 24, 2002**

(51) **LOC (7) Cl.** **02-04**

(52) **U.S. Cl.** **D2/960; D2/947; D2/951;**
D2/953

(58) **Field of Search** D2/896, 902, 908,
D2/909, 914, 946-949, 951-962, 967, 972,
977; 36/7.1, 7.2, 7.3, 7.5, 14, 22 R, 25 R,
32 A, 32 R, 59 R, 239

Nike Footwear Catalog Spring 1995, p. 46, published Jun. 1994.

Nike Footwear Catalog Spring 1996, p. 15, published Jun. 1995.

Nike Footwear Catalog Fall 1998, p. 114, published Dec. 1997.

Nike Footwear Catalog Late Spring 1999, p. M113, published Sep. 1998.

Nike Footwear Catalog Fall 1999, p. M42, published Nov. 1998.

Nike Footwear Catalog Holiday 2001, p. W13, published Feb. 2001.

Primary Examiner—Celia Murphy

(74) *Attorney, Agent, or Firm*—Banner & Witcoff, Ltd.

(57) **CLAIM**

The ornamental design for a portion of a shoe outsole, as shown and described.

(56) **References Cited**

U.S. PATENT DOCUMENTS

D52,217 S	7/1918	Haynes	
3,063,171 A	* 11/1962	Hollander	
4,449,307 A	5/1984	Stubblefield	
D284,519 S	7/1986	Braga et al.	
4,934,070 A	* 6/1990	Mauger	36/28
D320,884 S	* 10/1991	Brue	D2/957
D329,731 S	* 9/1992	Adcock	D2/898
D333,211 S	2/1993	Foster	
D334,276 S	3/1993	Feller et al.	

(List continued on next page.)

FOREIGN PATENT DOCUMENTS

AT	184847	2/1956
GB	1232365	5/1971

OTHER PUBLICATIONS

Nike Footwear Catalog Holiday 1993, p. 22, published Mar. 1993.

Nike Footwear Catalog Holiday 1994, p. 74, published Mar. 1994.

DESCRIPTION

FIG. 1 is a first perspective view of a portion of a shoe outsole showing my new design;

FIG. 2 is a bottom plan view thereof;

FIG. 3 is a second perspective view thereof;

FIG. 4 is a first perspective view of the portion of a shoe outsole of FIGS. 1-3 shown with the unclaimed environmental structure;

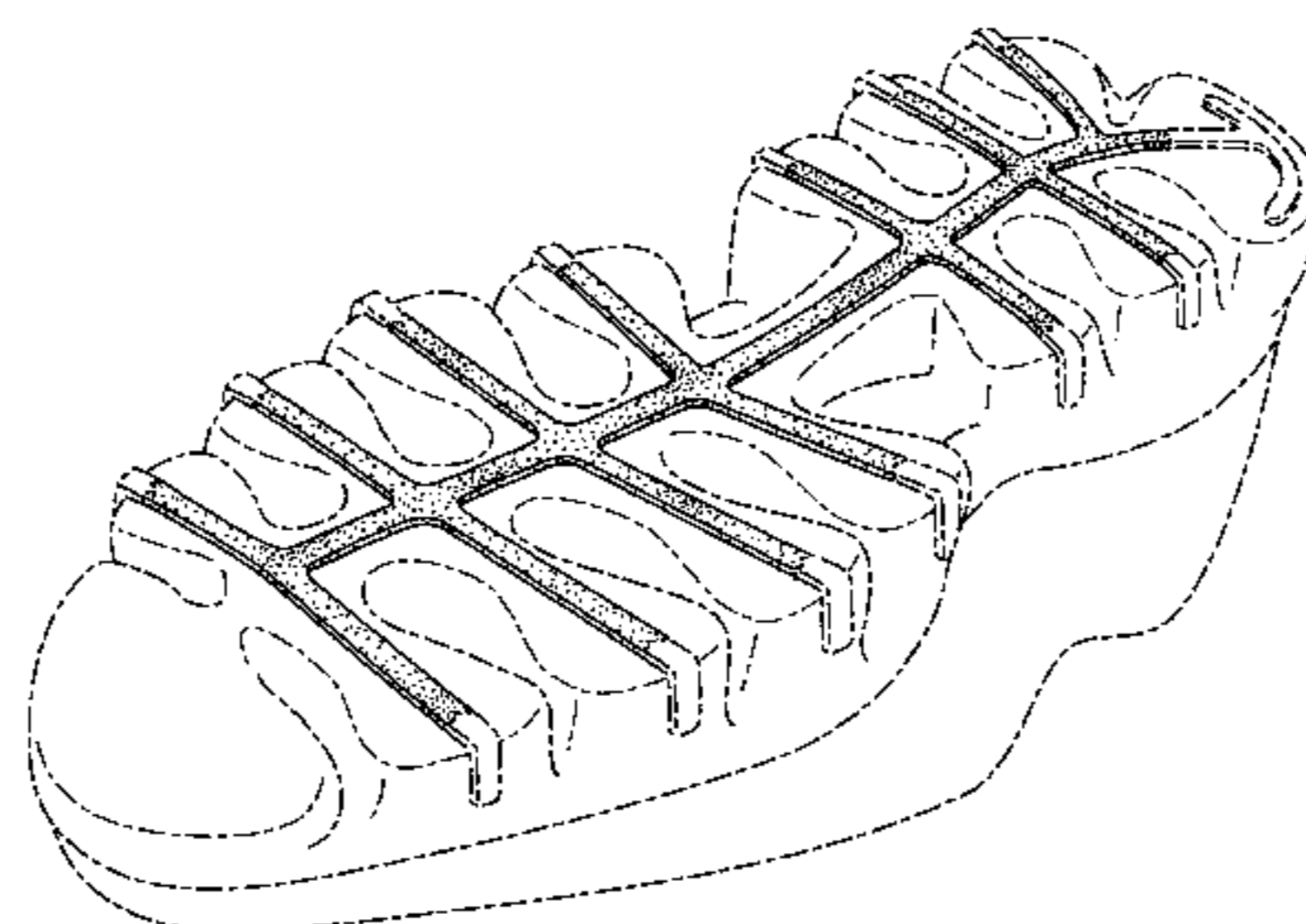
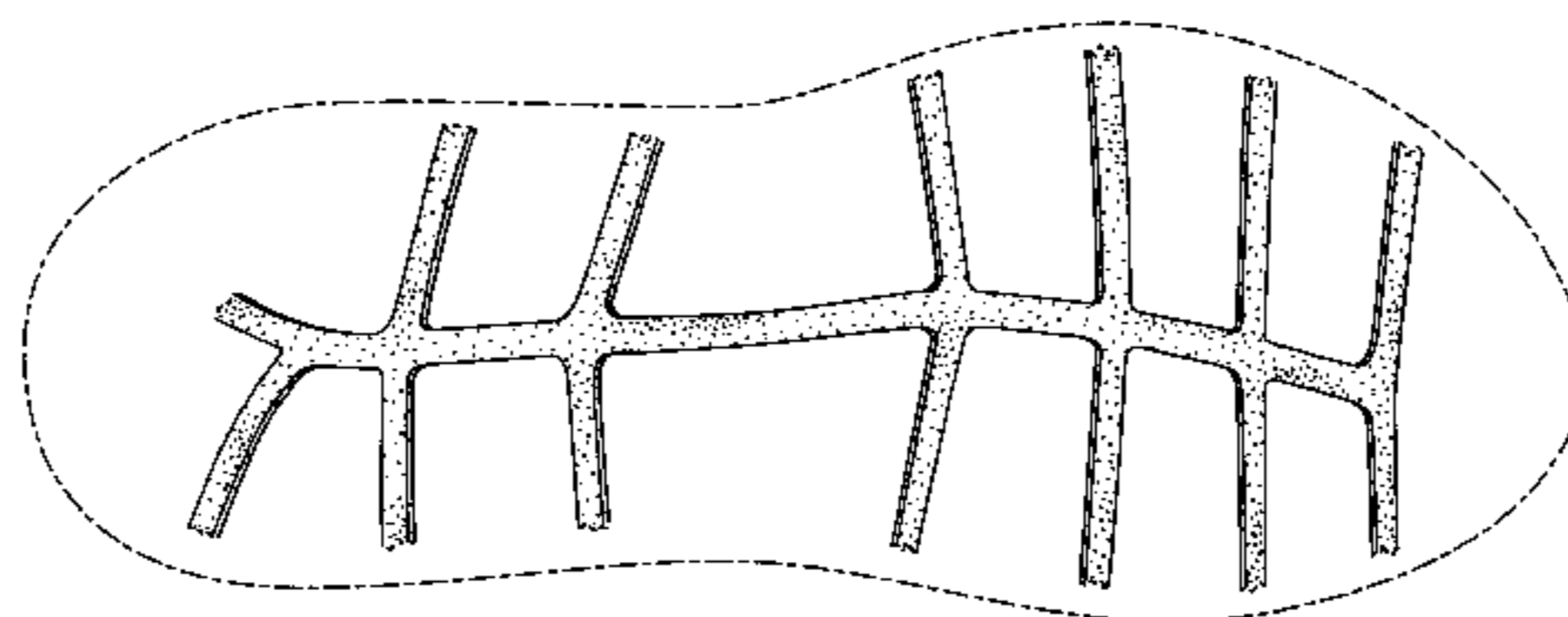
FIG. 5 is a bottom plan view of the portion of a shoe outsole of FIGS. 1-3 shown with the unclaimed environmental structure of FIG. 4; and,

FIG. 6 is a second perspective view of the portion of a shoe outsole of FIGS. 1-3 shown with the unclaimed environmental structure of FIG. 4.

The broken line showing of the ends of the shaded region and the remainder of the shoe is for illustrative purposes only and forms no part of the claimed design.

The broken lines at the ends of the branch elements define the boundary of the claimed design. The broken lines form no part of the claim.

1 Claim, 6 Drawing Sheets



US D476,143 S

Page 2

U.S. PATENT DOCUMENTS

D335,021 S	4/1993	Hatfield		
D336,561 S	6/1993	Hatfield		
D349,599 S	8/1994	Kennedy		
D350,640 S	* 9/1994	Kayano et al.	D2/957
D356,671 S	* 3/1995	Blanchini	D2/957
D382,692 S	* 8/1997	Carlson	D2/960
D388,948 S	* 1/1998	Sessa	D2/961
D389,295 S	* 1/1998	Kelchak	D2/960
D393,142 S	* 4/1998	Brown	D2/908
D394,947 S	* 6/1998	Avar	D2/960
D403,143 S	12/1998	Gillespie		
D407,891 S	4/1999	Edwards		
D412,777 S	8/1999	Norton et al.		
D418,662 S	1/2000	Bergmans		
D421,832 S	3/2000	Loveder		
D423,199 S	4/2000	Cahill		
D424,287 S	5/2000	Edwards		
D426,118 S	* 6/2000	Thomas	D7/961
D428,688 S	* 8/2000	Egelja et al.	D2/957
D429,552 S	8/2000	Kern		
D429,553 S	* 8/2000	Kelchak	D2/960
D433,213 S	11/2000	Schuetz et al.		
D433,790 S	* 11/2000	Oliver	D2/957
D436,247 S	1/2001	Burt		
D437,104 S	* 2/2001	Mallery	D2/902
D437,476 S	2/2001	Cavallin et al.		
D439,729 S	* 4/2001	Mastroianni et al.	D2/908
D440,745 S	4/2001	Matis et al.		
D440,748 S	4/2001	Morgan		
D448,147 S	9/2001	Zimmer et al.		
D454,426 S	3/2002	Wilson		
D459,064 S	6/2002	McClaskie		
D461,299 S	8/2002	McClaskie		

* cited by examiner

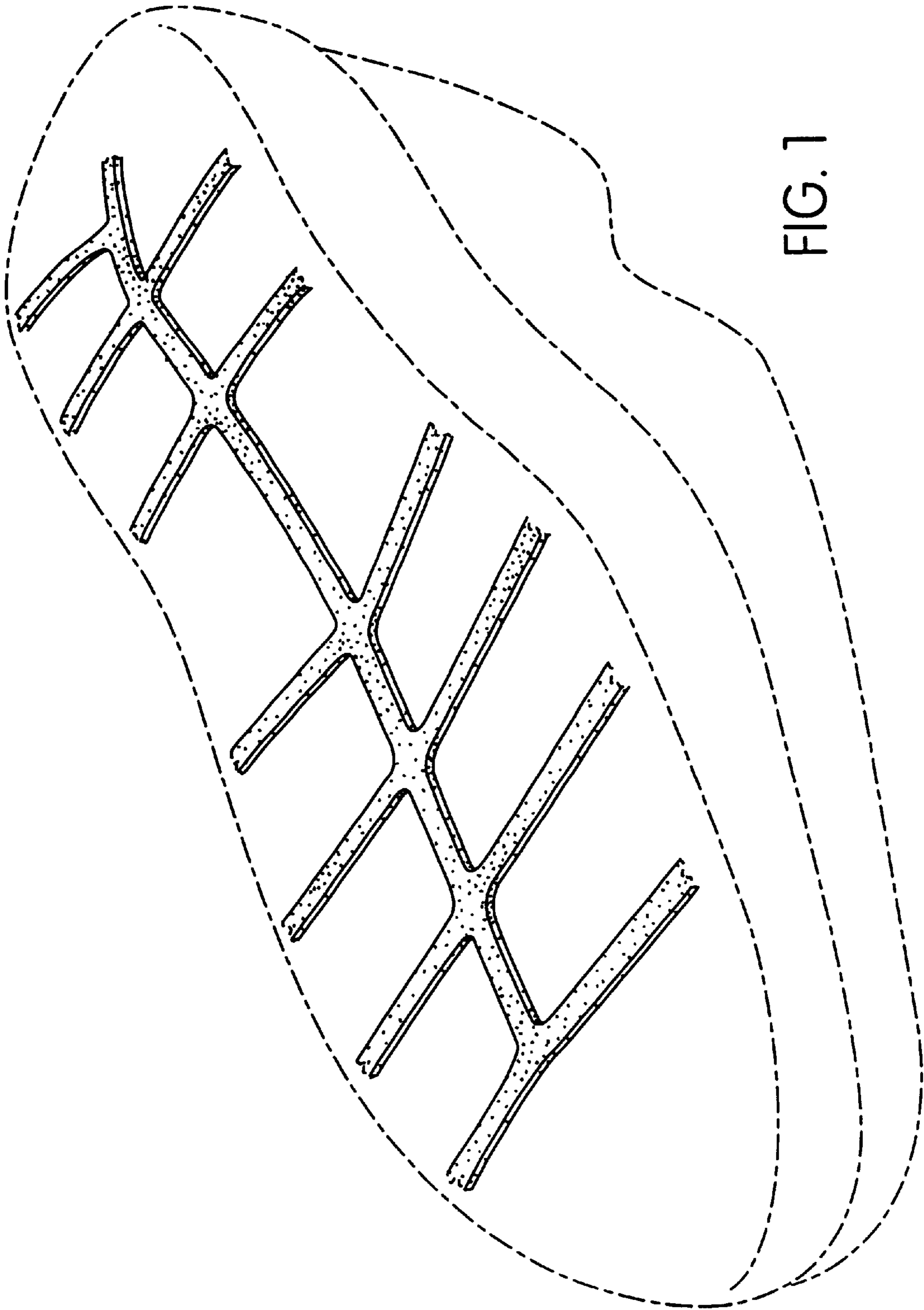


FIG. 1

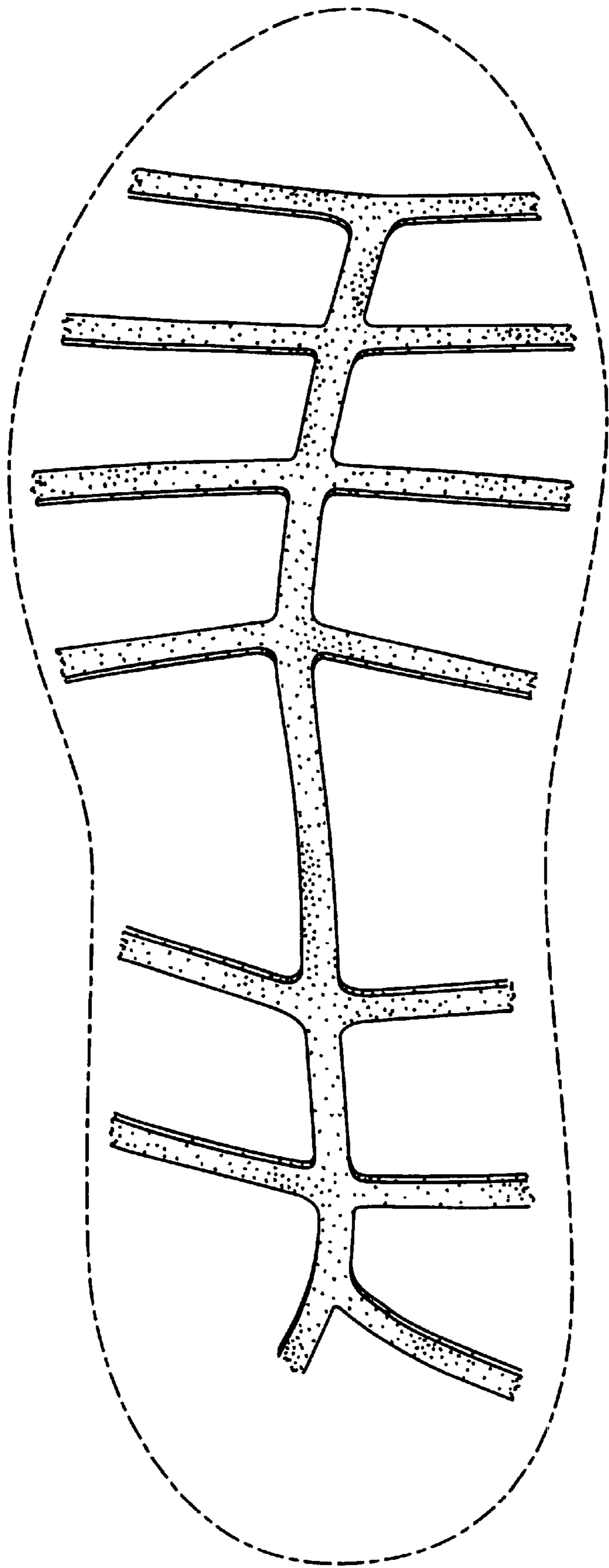


FIG. 2

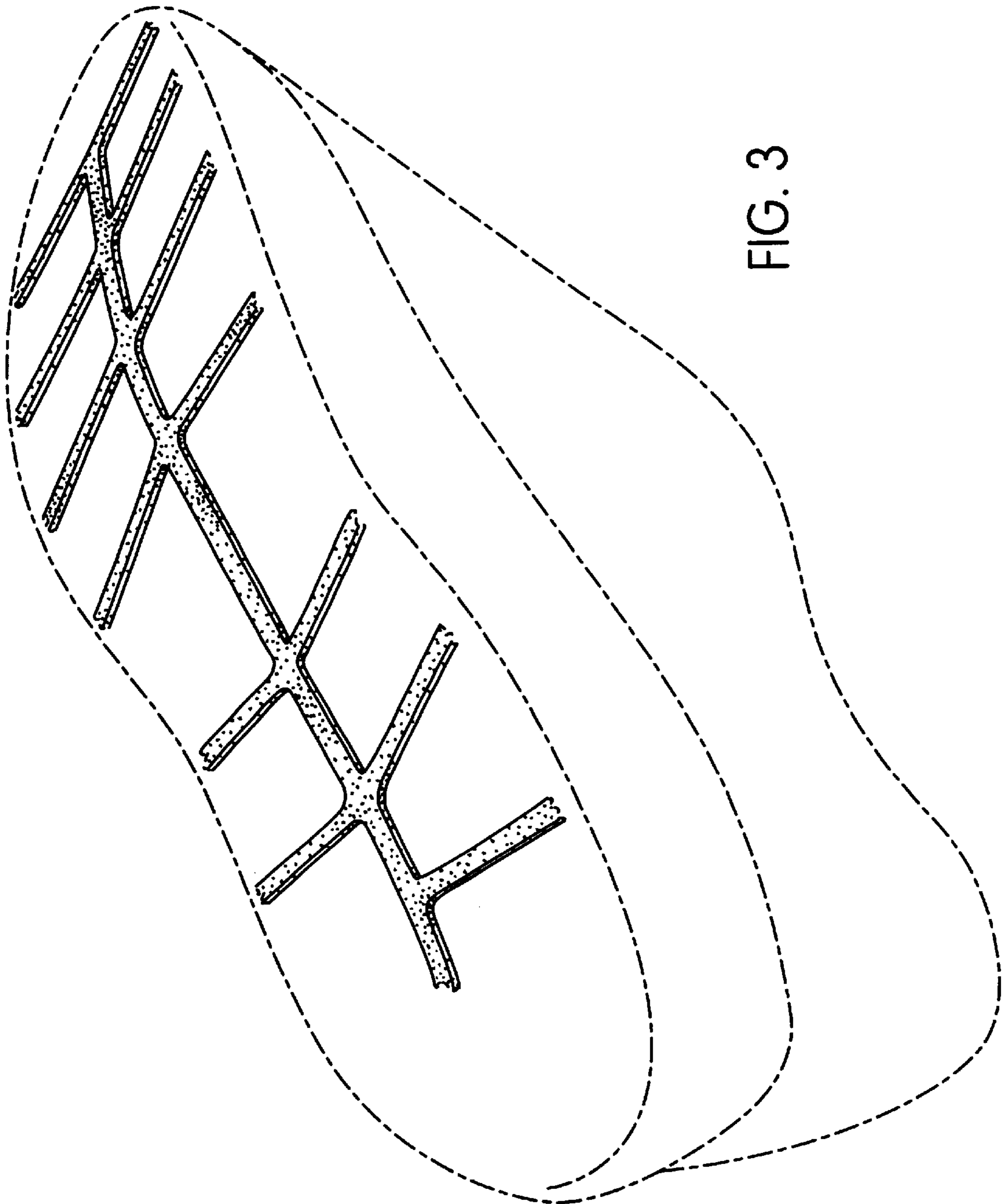


FIG. 3

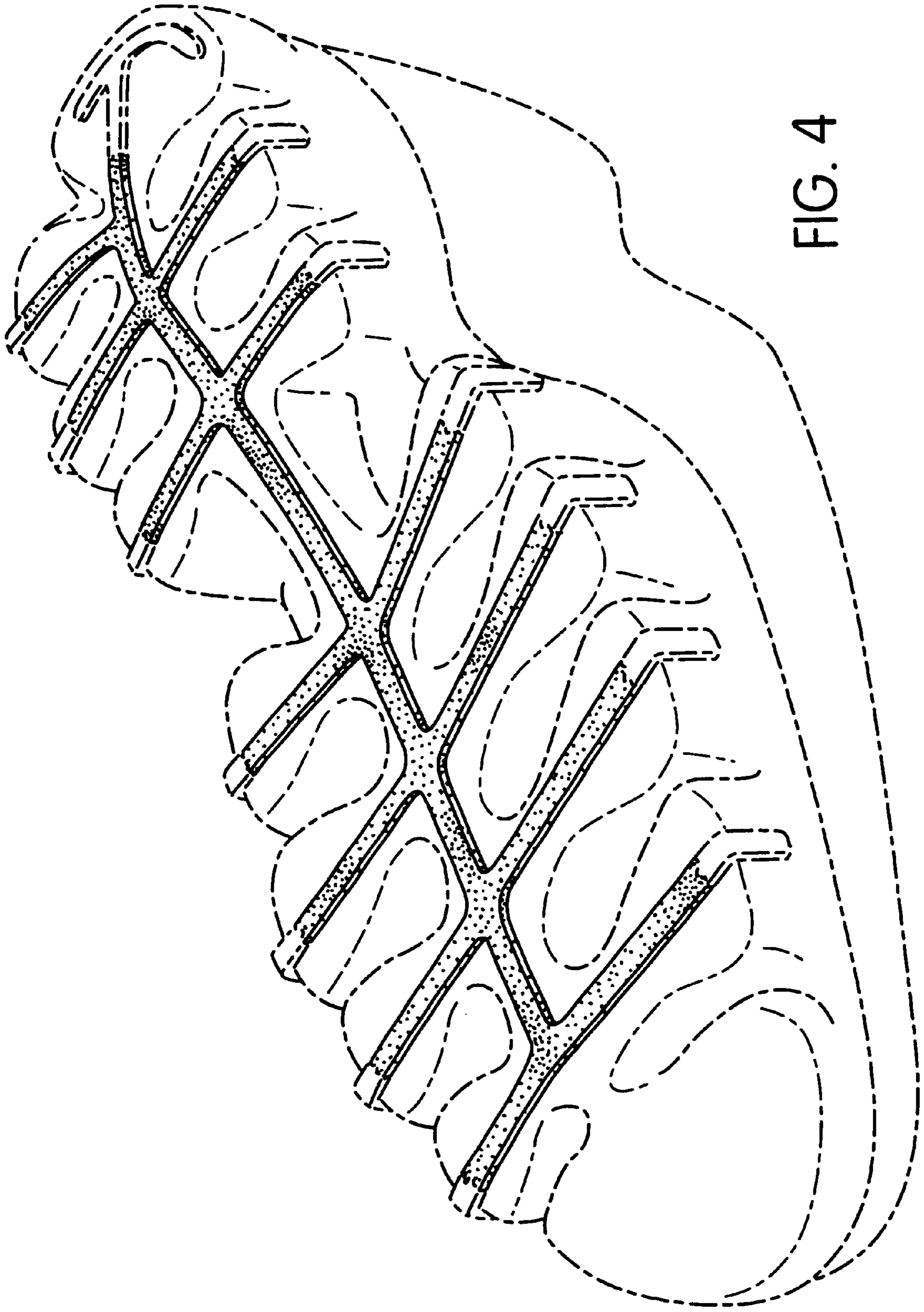


FIG. 4

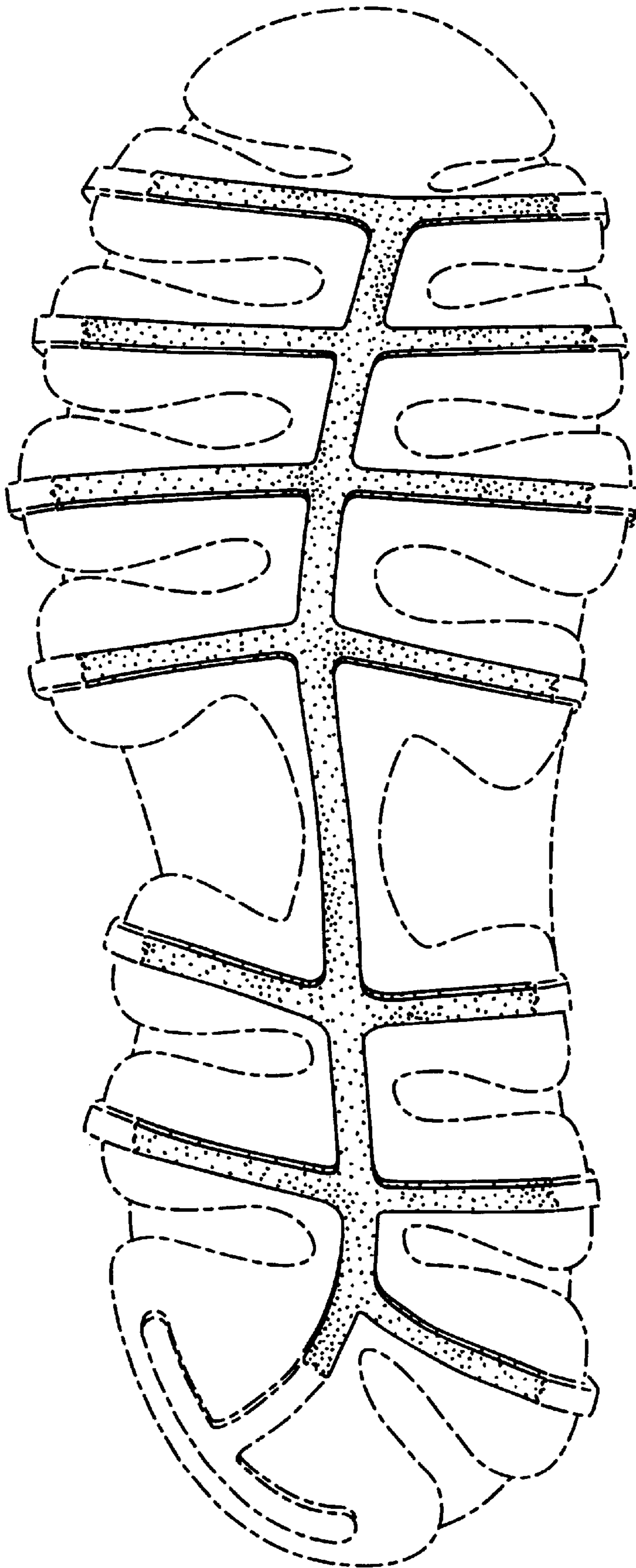


FIG. 5

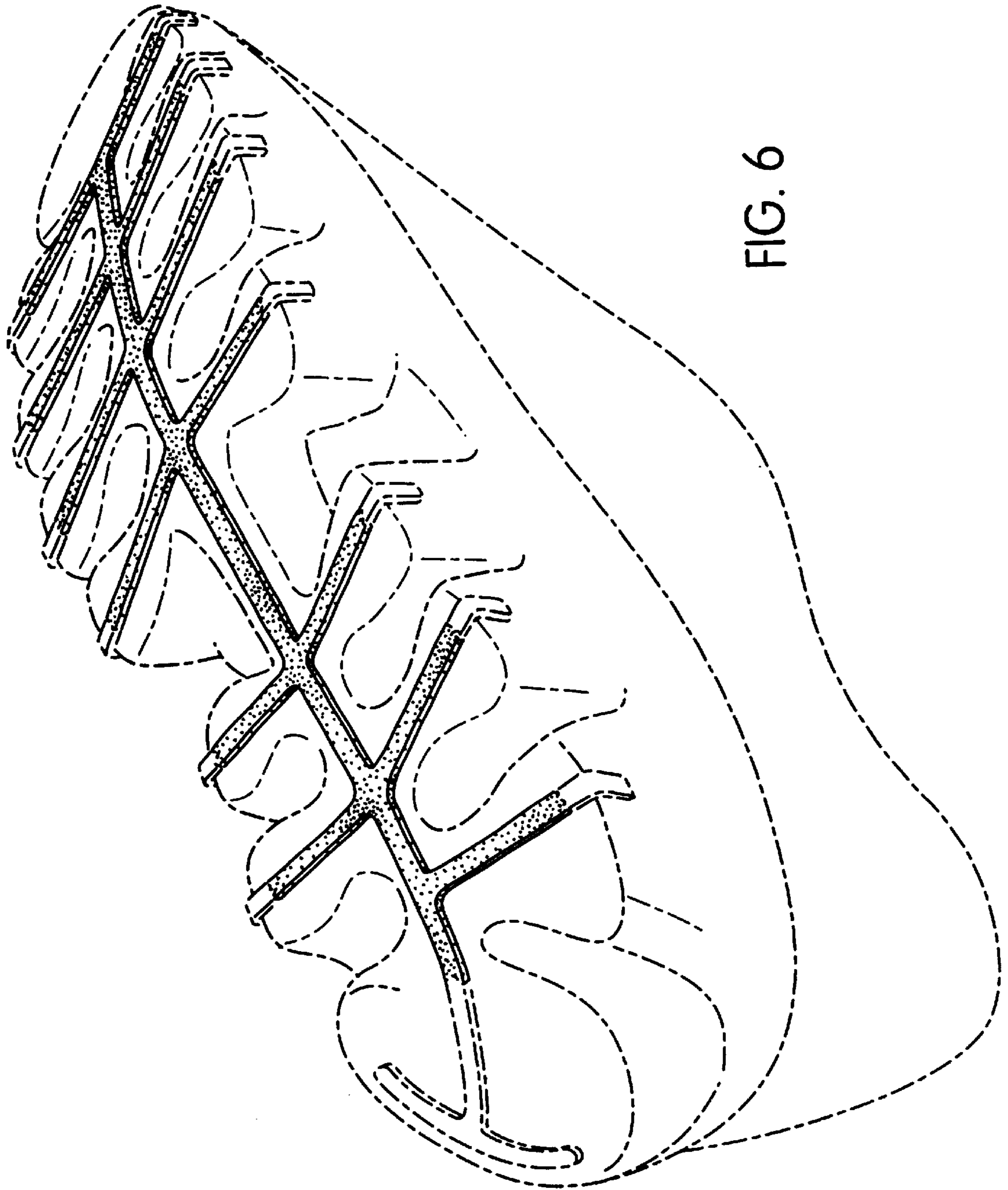


FIG. 6