



US00D476135S

(12) **United States Design Patent**  
**Choi**

(10) **Patent No.:** **US D476,135 S**

(45) **Date of Patent:** **\*\* Jun. 24, 2003**

(54) **SEAT BELT FOR A VEHICLE**

(76) **Inventor:** **Byung Yun Choi**, Daemyung Mansion  
301, 154-7 Ohgeumi-Dong, Songpa-Ku,  
Seoul (KR)

(\*\*) **Term:** **14 Years**

(21) **Appl. No.:** **29/150,659**

(22) **Filed:** **Nov. 28, 2001**

(51) **LOC (7) Cl.** ..... **02-07**

(52) **U.S. Cl.** ..... **D2/627**

(58) **Field of Search** ..... D2/624, 627, 631,  
D2/639; D29/100, 101.1; 280/801, 804,  
808; 297/482, 468, 473, 484, 483; 2/300,  
301, 311, 312, 321, 338; 224/660; 428/121,  
127

(56) **References Cited**

**U.S. PATENT DOCUMENTS**

- 2,009,325 A \* 7/1935 Sachs ..... 2/301
- 2,146,772 A \* 2/1939 Sichere ..... 428/121
- 3,100,484 A \* 8/1963 Berl ..... D2/627
- 3,530,031 A \* 9/1970 Loew ..... 428/127

- 4,693,495 A \* 9/1987 LaPointe ..... 280/808
- D322,160 S \* 12/1991 Dauterive ..... D2/627
- D333,380 S \* 2/1993 Swift ..... D2/639

\* cited by examiner

*Primary Examiner*—Paula A. Mortimer

(74) *Attorney, Agent, or Firm*—Birch, Stewart, Kolasch & Birch, LLP

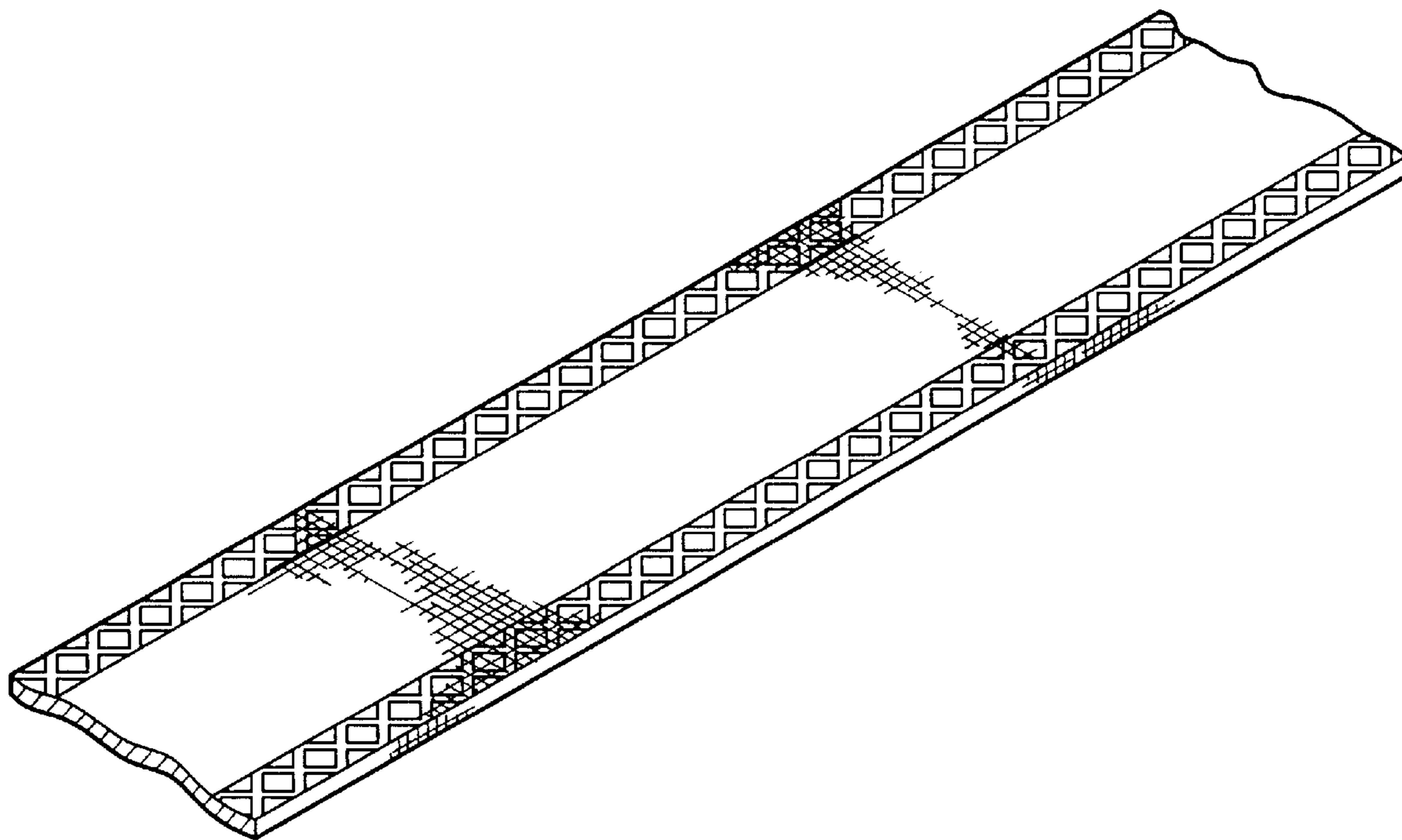
(57) **CLAIM**

The ornamental design for a seat belt for a vehicle, as shown and described.

**DESCRIPTION**

FIG. 1 is a perspective view of the seat belt for a vehicle;  
 FIG. 2 is a top plan view thereof;  
 FIG. 3 is a bottom plan view thereof;  
 FIG. 4 is a left elevational view thereof;  
 FIG. 5 is a right elevational view thereof;  
 FIG. 6 is a front elevational view thereof; and,  
 FIG. 7 is a rear view elevational thereof.  
 The belt is drawn broken away to show indeterminate length.

**1 Claim, 3 Drawing Sheets**



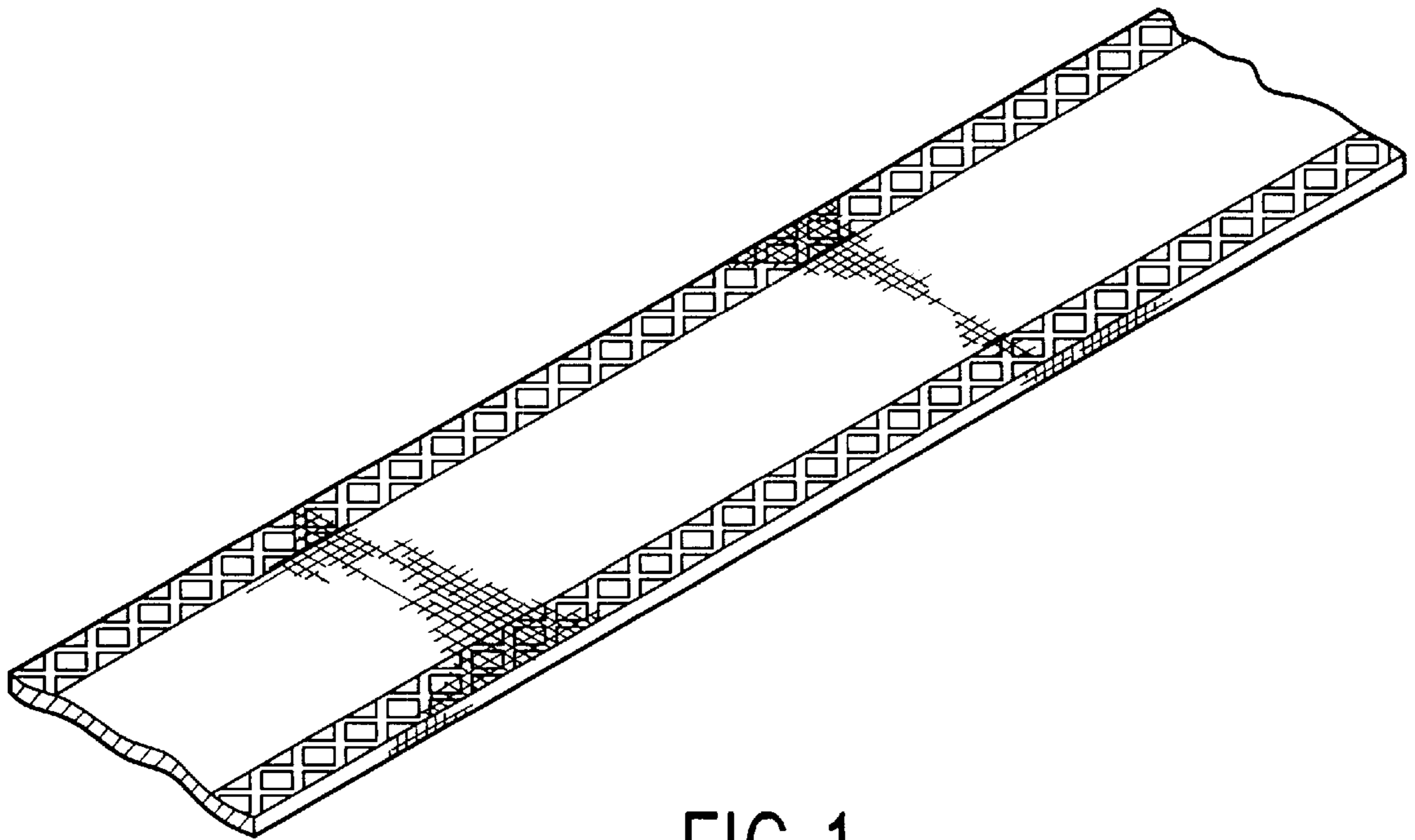


FIG. 1

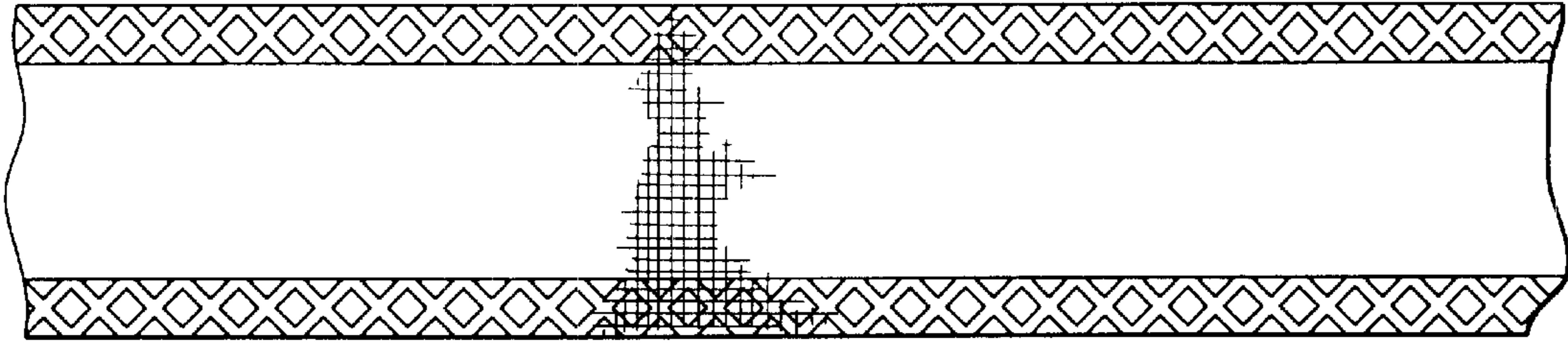


FIG. 2

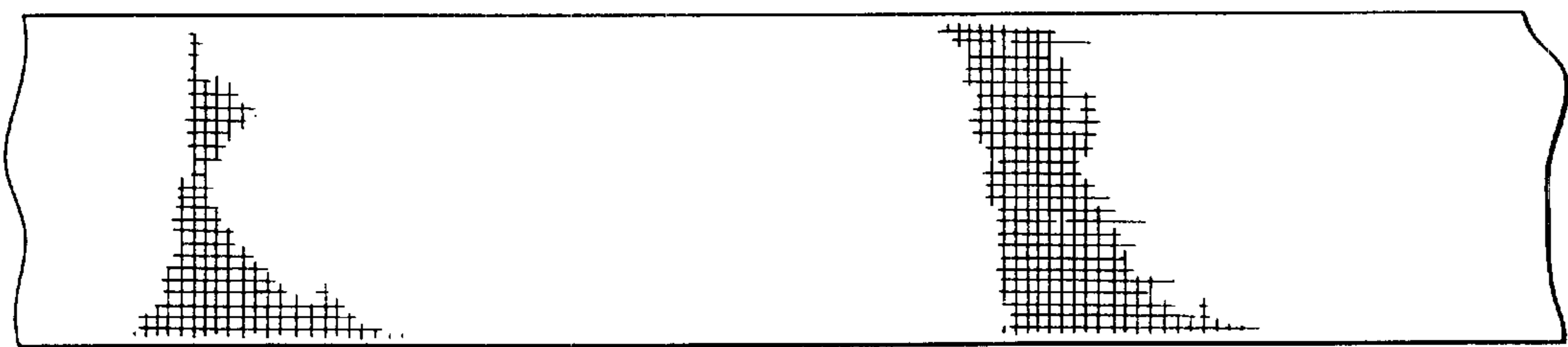


FIG. 3



FIG. 4



FIG. 5

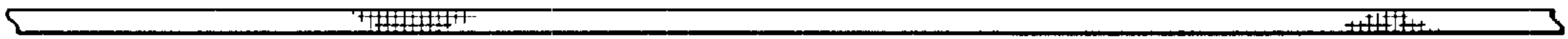


FIG. 6

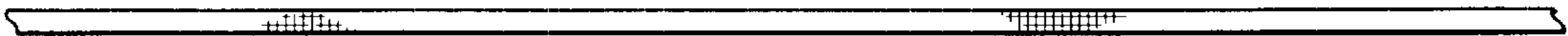


FIG. 7