



US00D476132S

(12) **United States Design Patent**  
**Piner et al.**

(10) **Patent No.:** **US D476,132 S**

(45) **Date of Patent:** **\*\* Jun. 17, 2003**

(54) **RURAL MAILBOX DRAWER**

(75) Inventors: **Susan Piner**, Wilmington, NC (US);  
**Michael Rockwell**, Wilmington, NC (US)

(73) Assignee: **Kaps, Inc.**, Wilmington, NC (US)

(\*\*) Term: **14 Years**

(21) Appl. No.: **29/168,870**

(22) Filed: **Oct. 9, 2002**

(51) **LOC (7) Cl.** ..... **99-00**

(52) **U.S. Cl.** ..... **D99/43**

(58) **Field of Search** ..... D99/28, 29, 43;  
232/17, 33, 45, 19, 20; D6/510, 560; 312/330.1

(56) **References Cited**

**U.S. PATENT DOCUMENTS**

2,868,444 A \* 1/1959 Whittier ..... 232/45  
3,606,140 A \* 9/1971 Shannahan ..... 232/17

4,600,143 A \* 7/1986 Harlow, Jr. et al. .... 232/17  
D292,539 S \* 10/1987 Harlow, Jr. et al. .... D99/29  
5,083,703 A \* 1/1992 Blyakharov ..... 232/17  
D346,265 S \* 4/1994 Smith ..... D99/29

\* cited by examiner

*Primary Examiner*—Paula A. Mortimer

(74) *Attorney, Agent, or Firm*—MacCord Mason PLLC

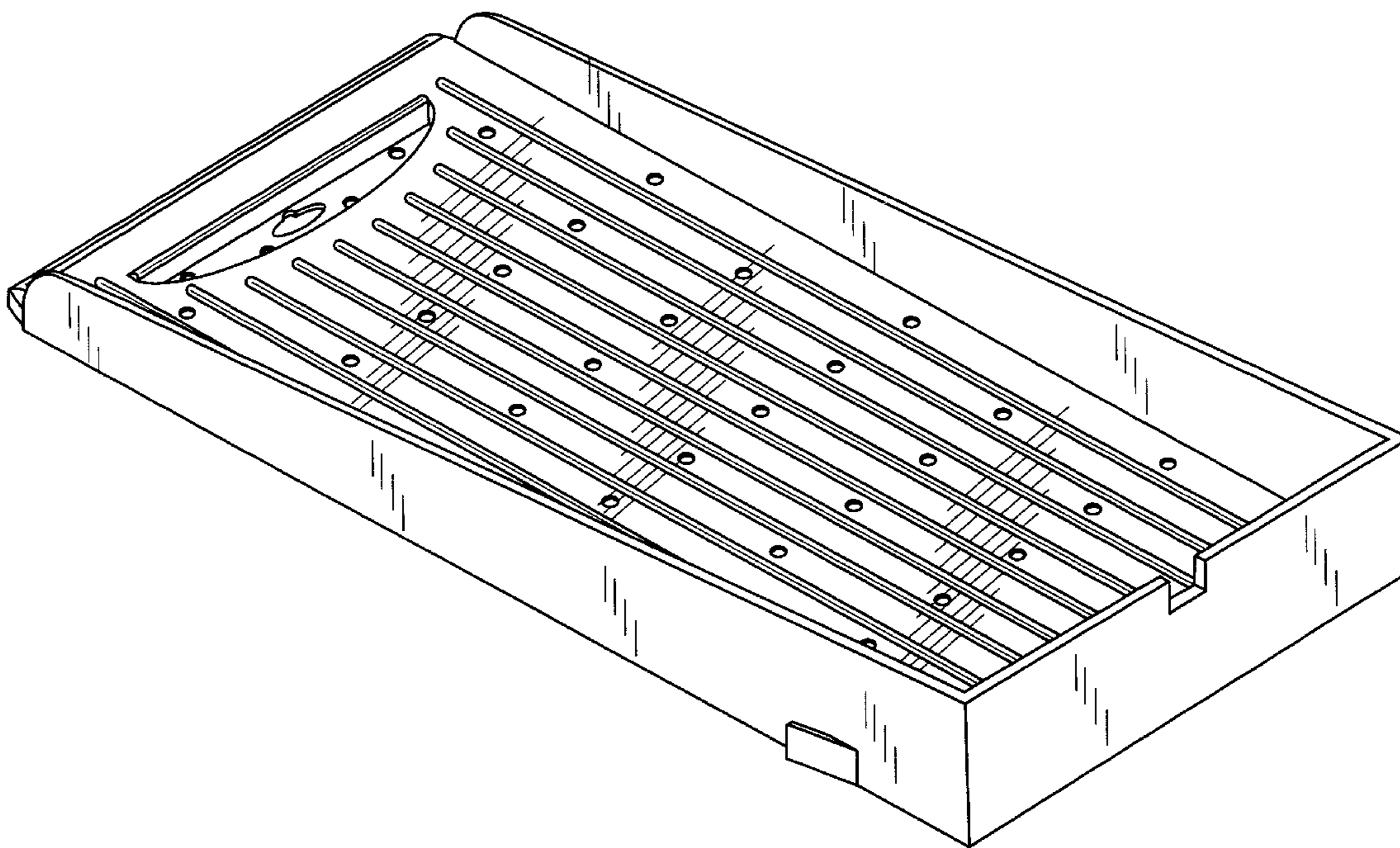
(57) **CLAIM**

The ornamental design for a rural mailbox drawer, as shown and described.

**DESCRIPTION**

FIG. 1 is a perspective view of the rural mailbox drawer; FIG. 2 is a top view of the rural mailbox drawer; FIG. 3 is a bottom view of the rural mailbox drawer; FIG. 4 is a left side view of the rural mailbox drawer; FIG. 5 is a rear side view of the rural mailbox drawer; FIG. 6 is a front view of the rural mailbox drawer; and, FIG. 7 is a back view of the rural mailbox drawer.

**1 Claim, 5 Drawing Sheets**



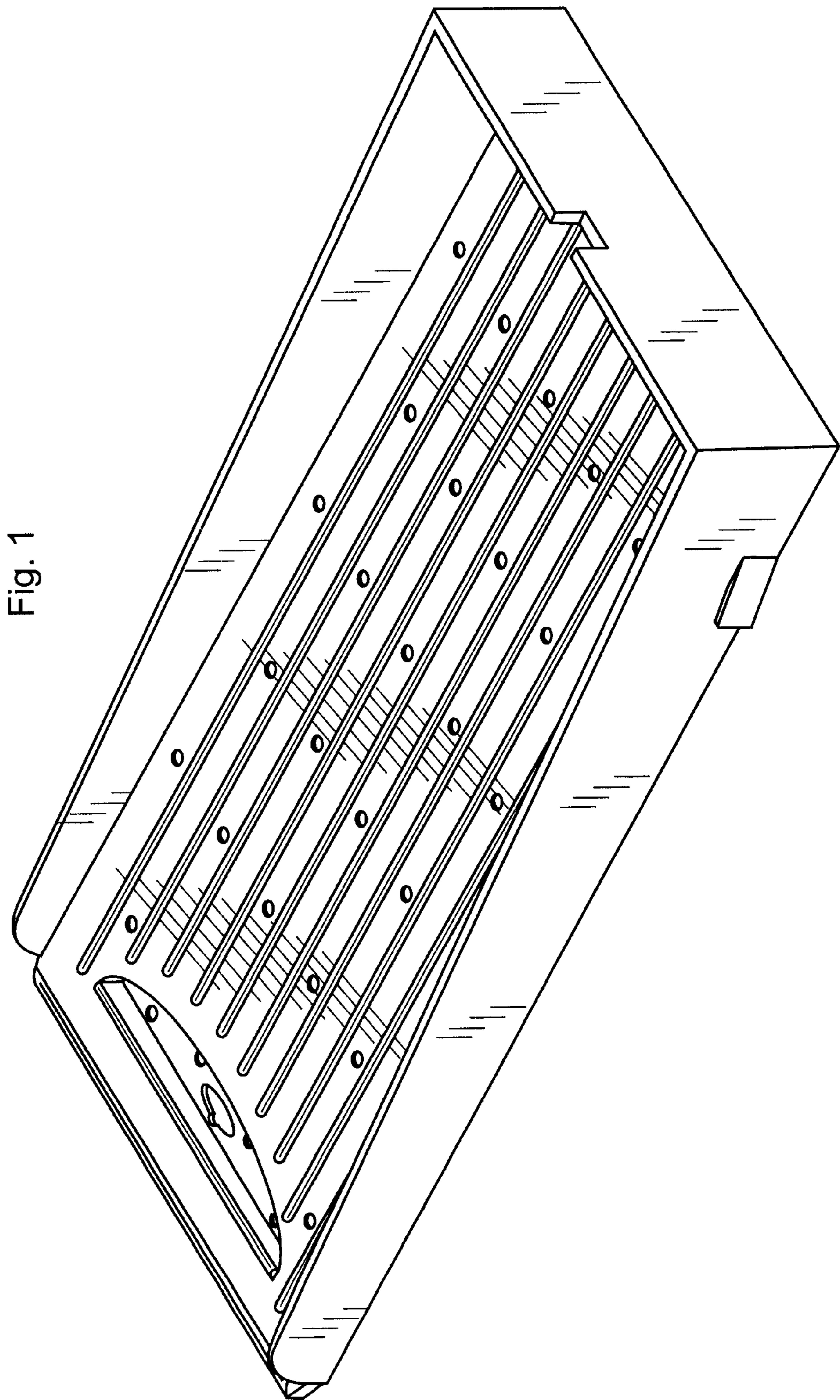


Fig. 1

Fig. 2

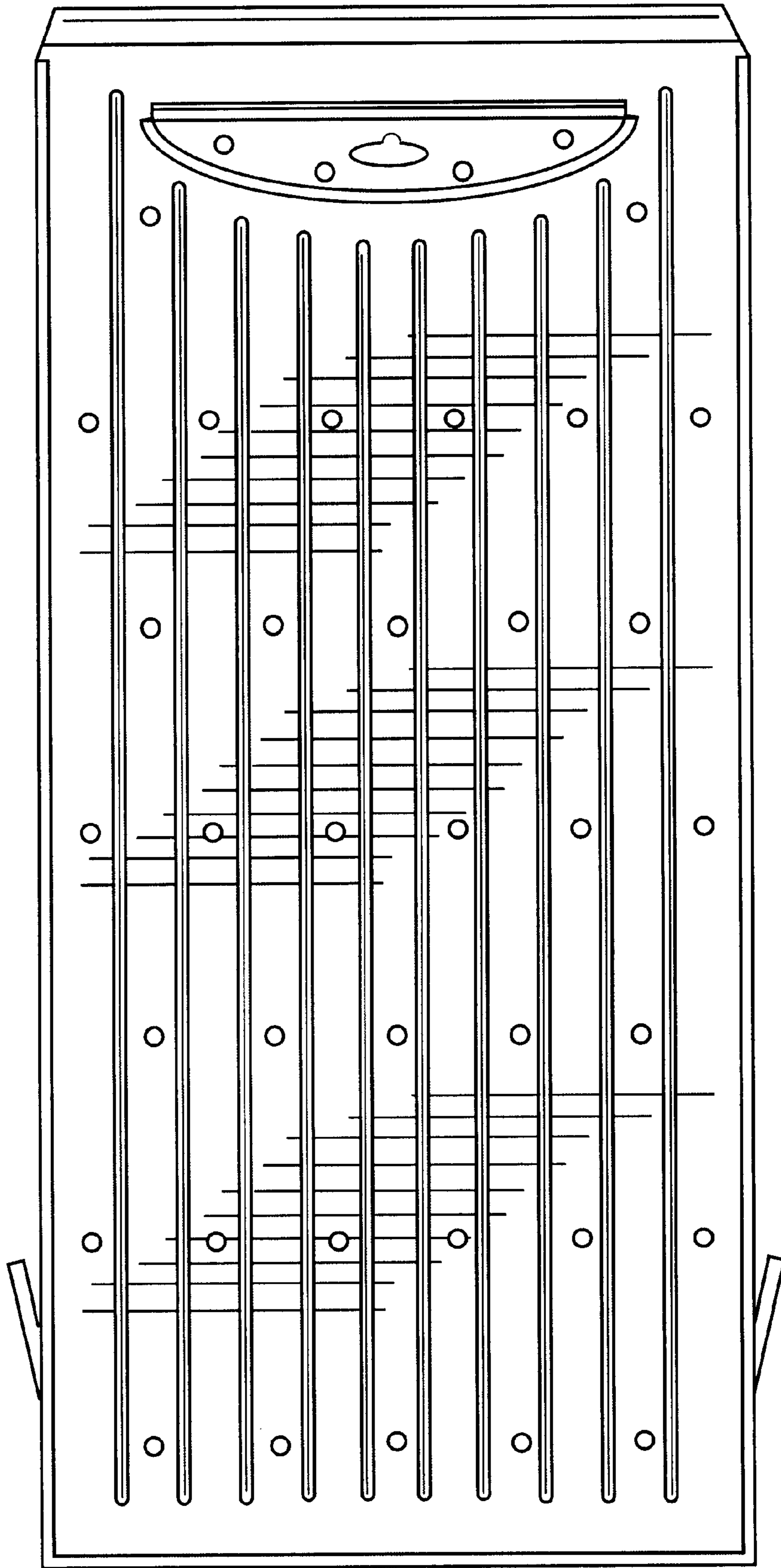


Fig. 3

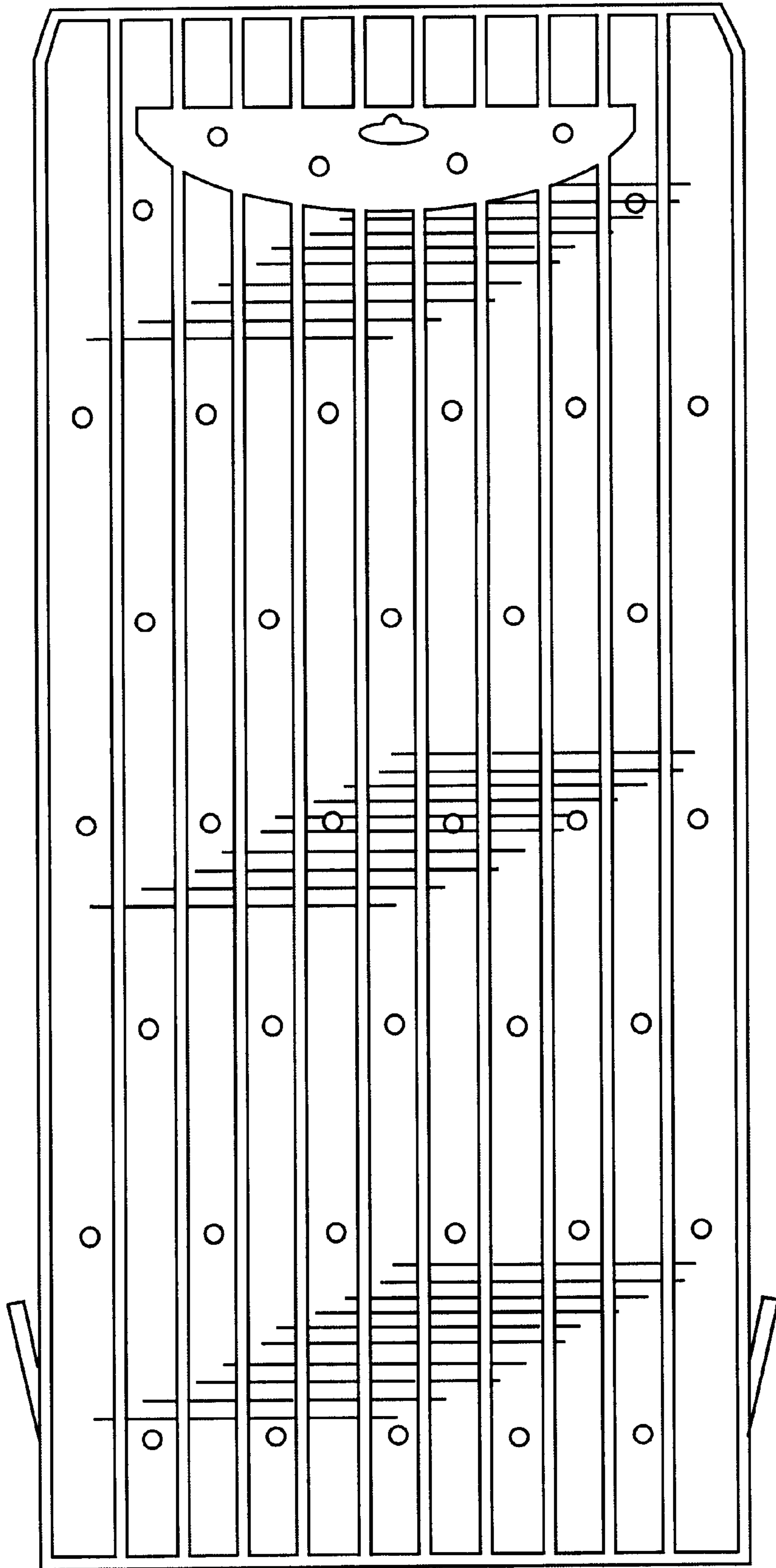


Fig. 4

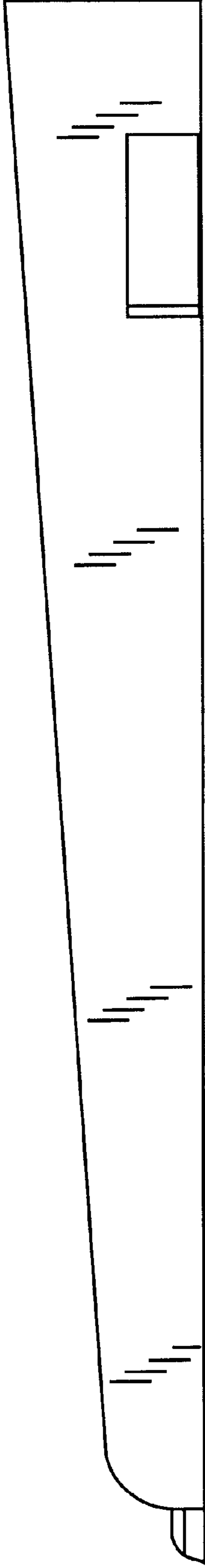


Fig. 5

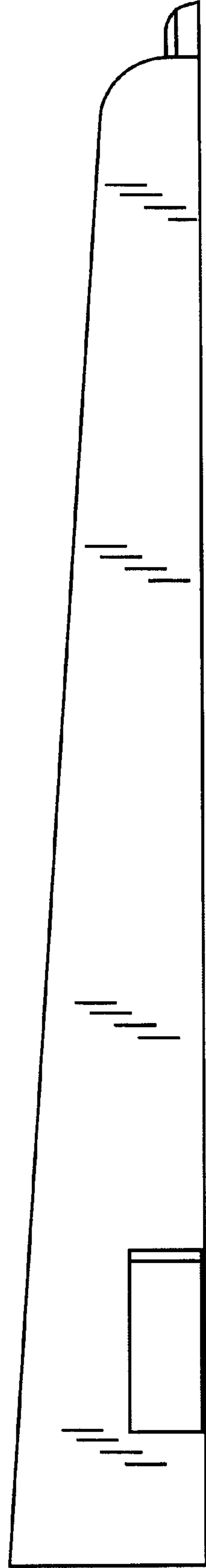


Fig. 6

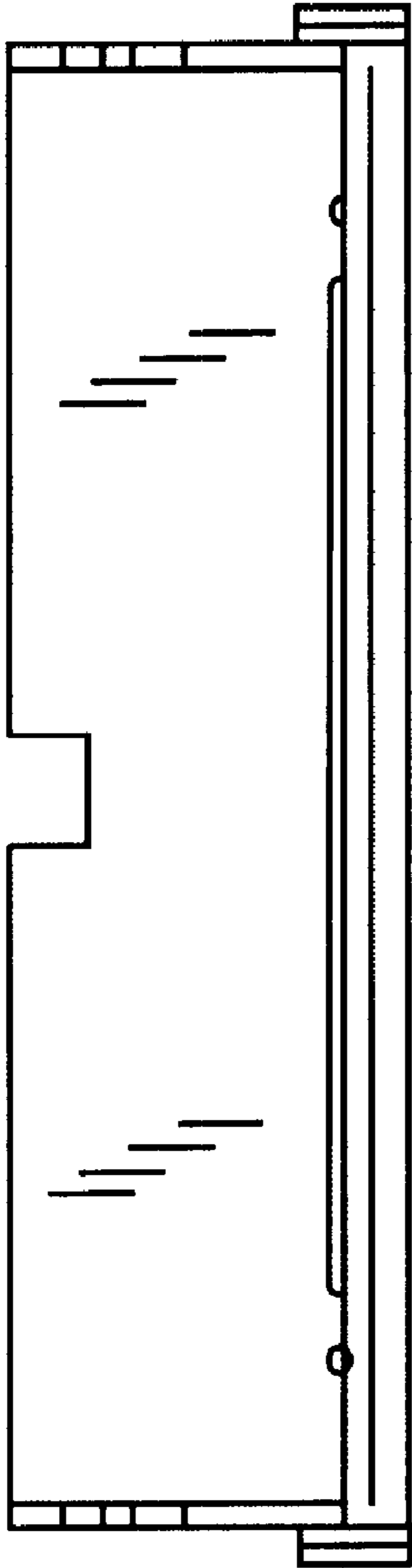


Fig. 7

