



US00D476129S

(12) **United States Design Patent**
Witt

(10) **Patent No.:** **US D476,129 S**

(45) **Date of Patent:** **** Jun. 17, 2003**

(54) **CANOE/KAYAK CARRIER**

(75) Inventor: **Brian Witt**, Fort Wayne, IN (US)

(73) Assignee: **Paddleboy Designs, LLC**, Fort Wayne, IN (US)

(**) Term: **14 Years**

(21) Appl. No.: **29/164,674**

(22) Filed: **Jul. 29, 2002**

(51) **LOC (7) Cl.** **12-02**

(52) **U.S. Cl.** **D34/23**

(58) **Field of Search** D34/12-27; 280/47.331,
280/204, 47.24, 47.18, 652, 414.1; 114/344;
D12/317

(56) **References Cited**

U.S. PATENT DOCUMENTS

- 3,406,985 A * 10/1968 Ballenger 280/47.331
- D237,786 S * 11/1975 Glister D34/24
- 4,602,802 A * 7/1986 Morgan 280/47.331
- 5,207,441 A * 5/1993 Granbery 280/204

- D358,920 S * 5/1995 Peterman D34/24
- D426,407 S * 6/2000 Schlichter et al. D34/24
- 2002/0041084 A1 * 4/2002 Darling, III 280/652

* cited by examiner

Primary Examiner—Kay H. Chin

(74) *Attorney, Agent, or Firm*—Randall J. Knuth

(57) **CLAIM**

The ornamental design for a canoe/kayak carrier, as shown and described.

DESCRIPTION

FIG. 1 is a perspective view of the canoe-kayak carrier of the present invention (the broken lines forming no part of the claimed design);

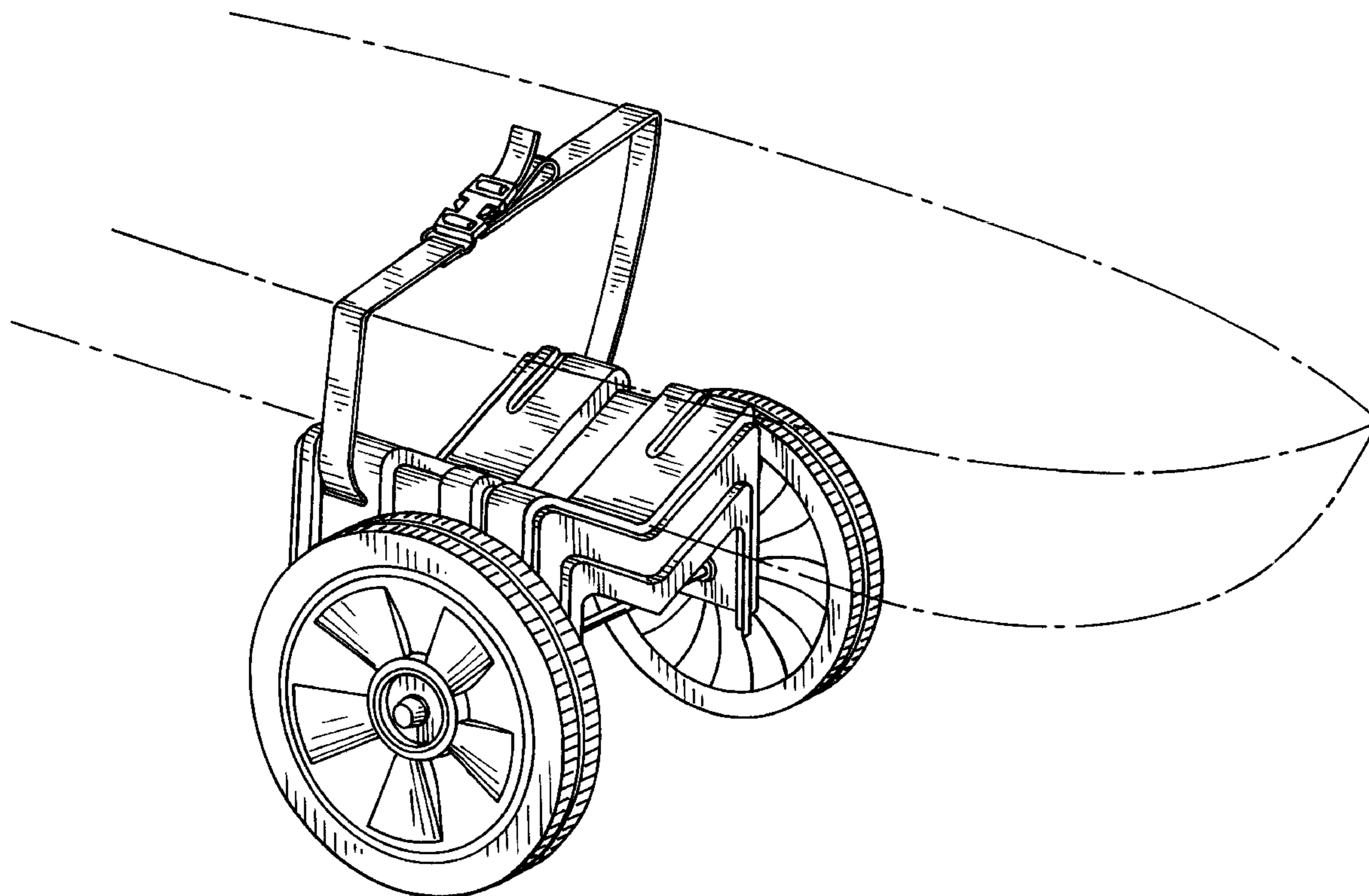
FIG. 2 is a front view of the canoe-kayak carrier of FIG. 1, the back view a mirror image thereof;

FIG. 3 is a top view of the canoe-kayak carrier of FIG. 1;

FIG. 4 is a side view of the canoe-kayak carrier of FIG. 1, the opposite side being a mirror image thereof; and,

FIG. 5 is a bottom view of the canoe-kayak carrier of FIG. 1.

1 Claim, 3 Drawing Sheets



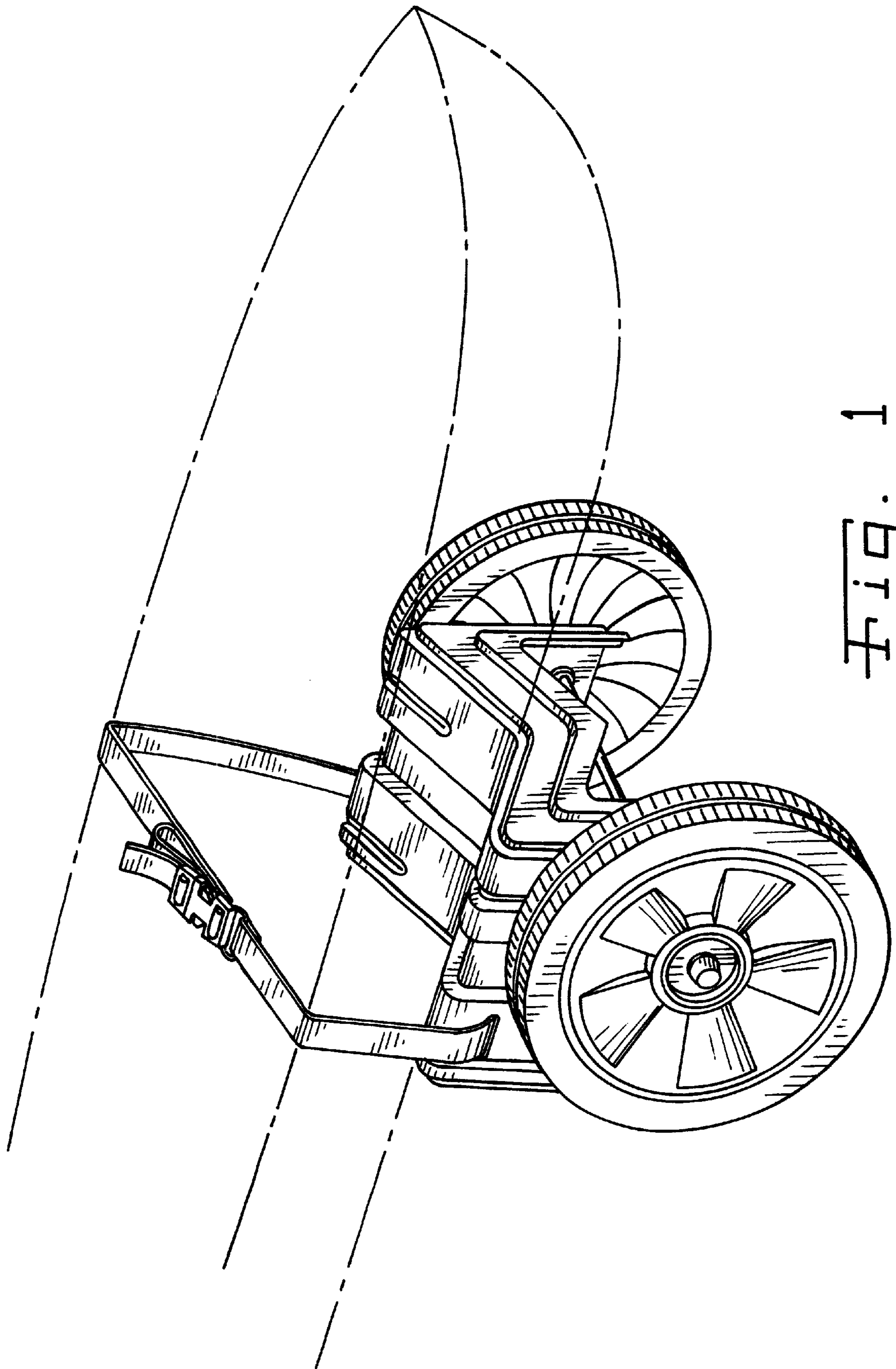


Fig. 1

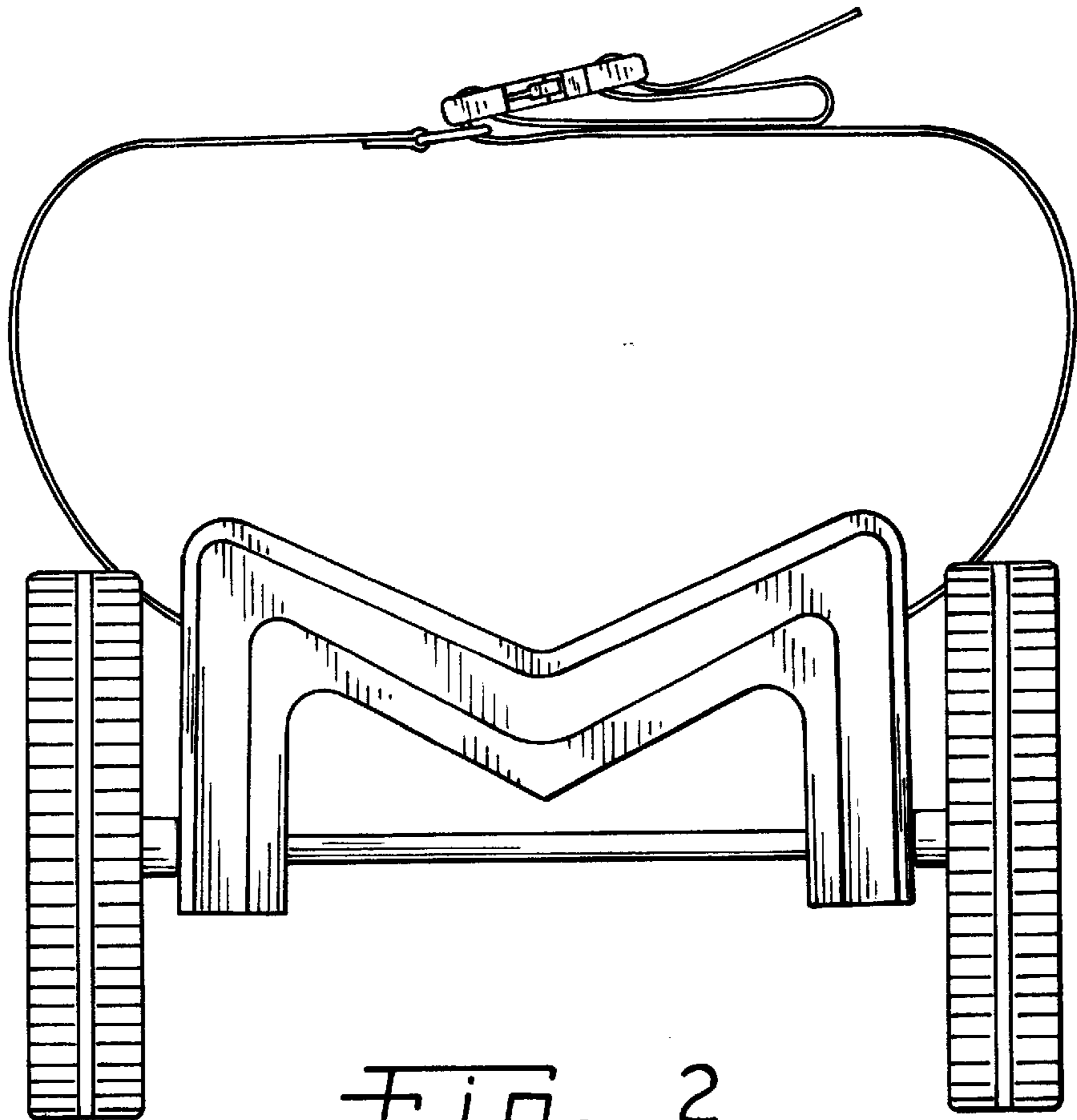


Fig. 2

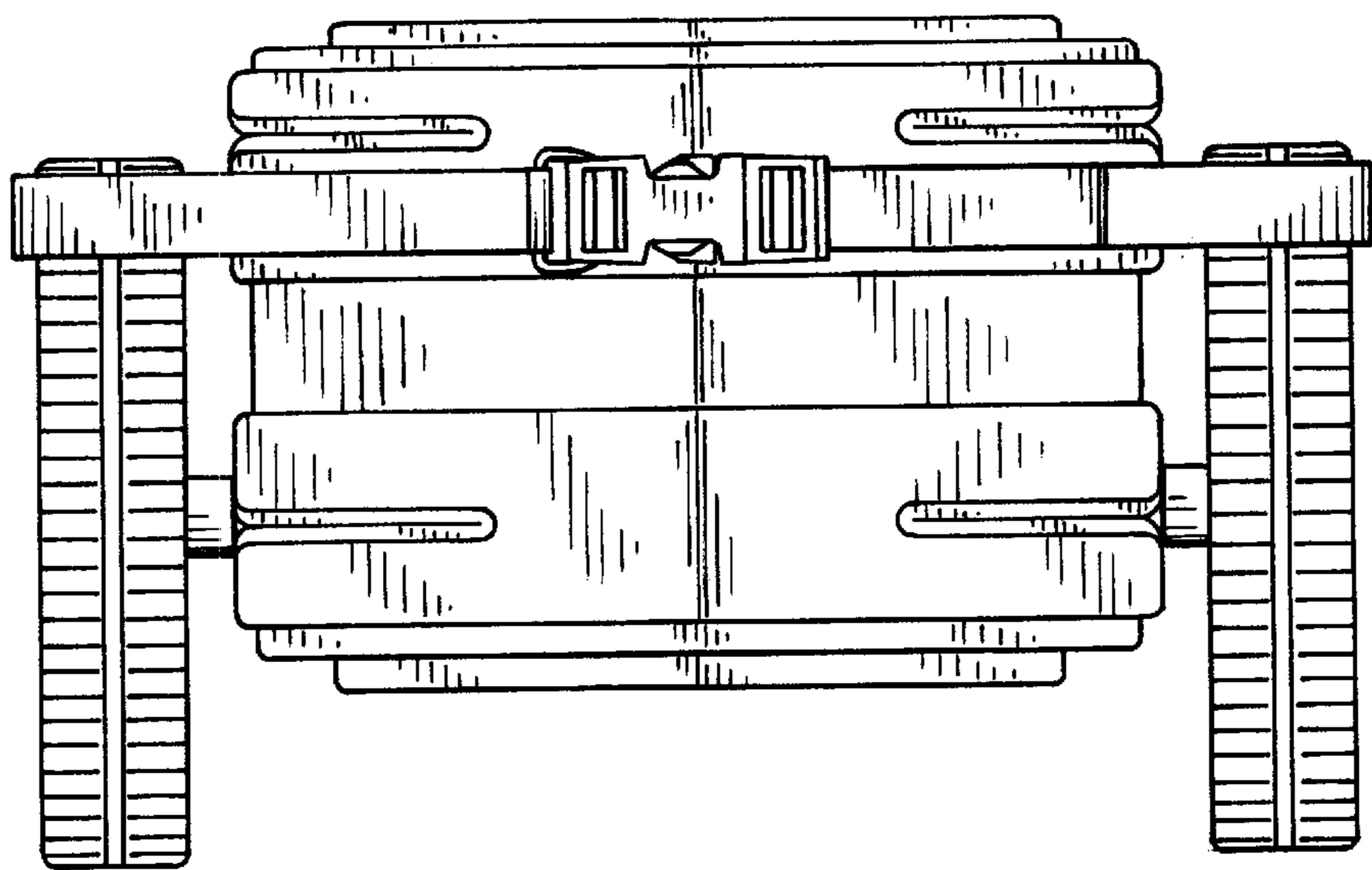


Fig. 3

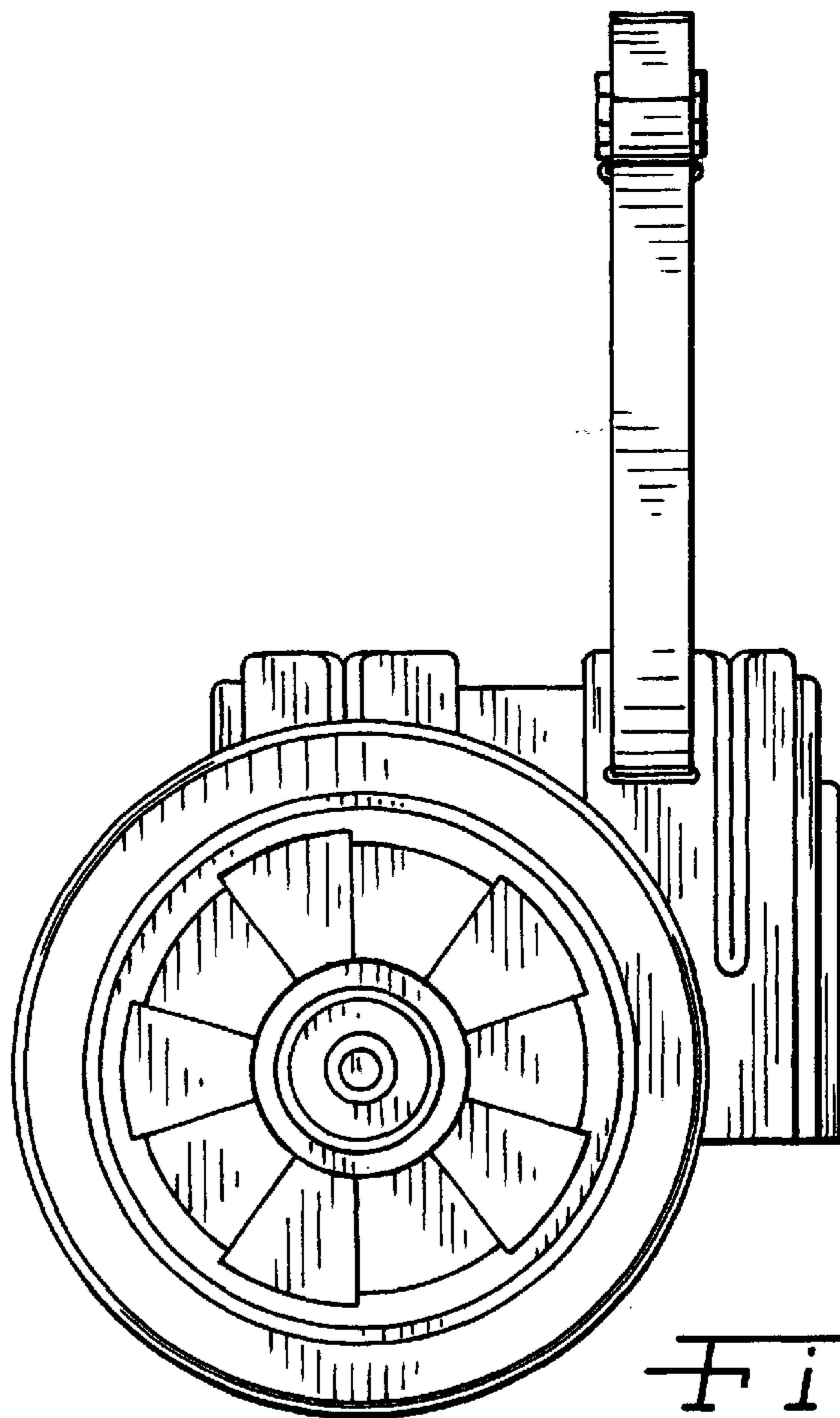


Fig. 4

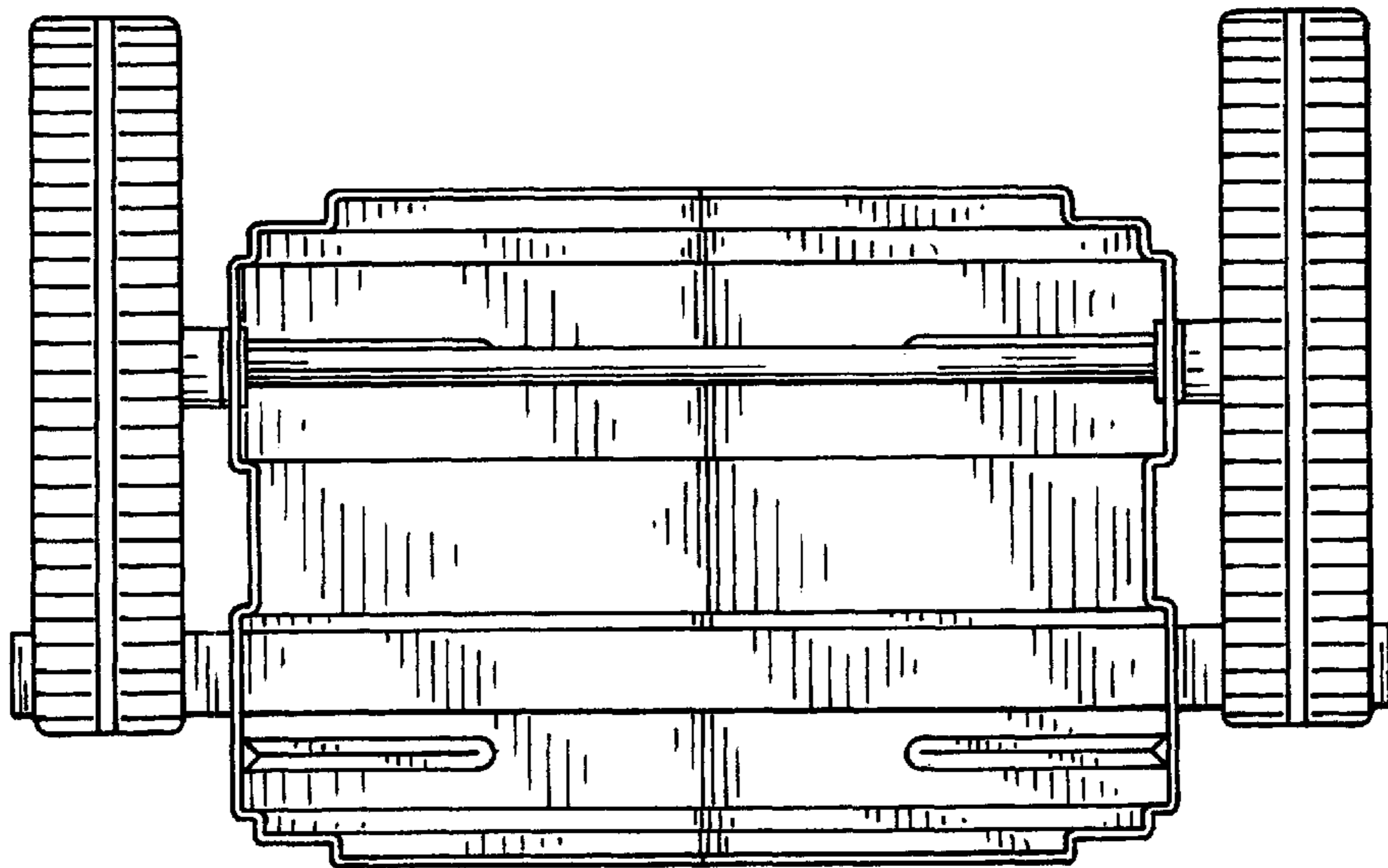


Fig. 5