



US00D476125S

(12) **United States Design Patent**
Chen

(10) **Patent No.:** **US D476,125 S**

(45) **Date of Patent:** **** Jun. 17, 2003**

(54) **CONTAINER**

D371,658 S * 7/1996 Cassel D34/5
D465,628 S * 11/2002 Chen D34/5

(76) Inventor: **Chung Cheng Chen**, No.40 Lane 578
Jong Hwa Road, Yung Khang City,
Tainan (TW)

* cited by examiner

(**) Term: **14 Years**

Primary Examiner—Cynthia E. Ramirez
(74) *Attorney, Agent, or Firm*—Pro-Techt International
Services

(21) Appl. No.: **29/161,056**

(57) **CLAIM**

(22) Filed: **May 21, 2002**

The ornamental design for a container, as shown and
described.

(51) **LOC (7) Cl.** **09-09**

(52) **U.S. Cl.** **D34/5**

(58) **Field of Search** D34/1, 5, 6, 7,
D34/10; 220/908, 908.1, 909, 910, 911,
771, 772

DESCRIPTION

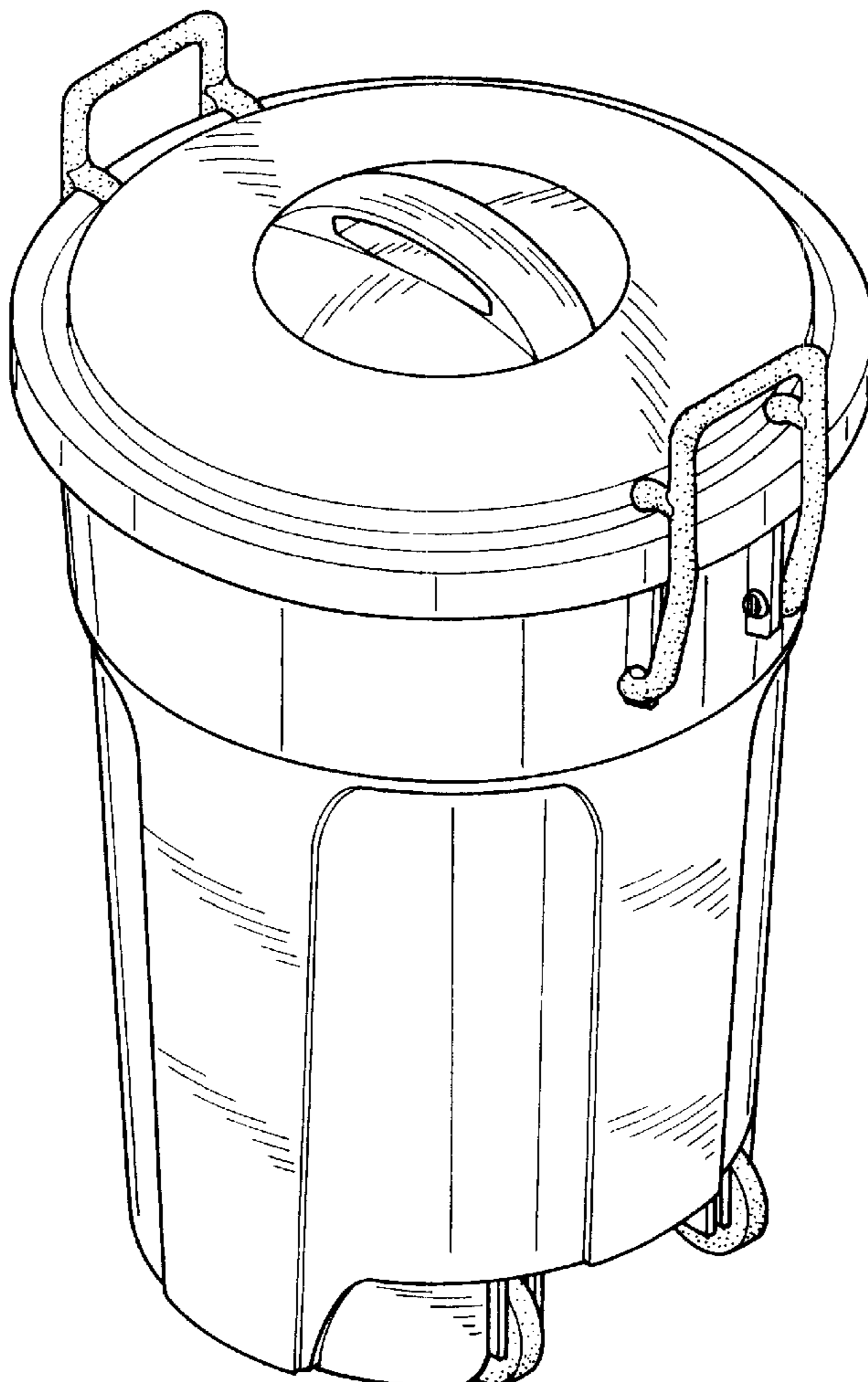
FIG. 1 is a perspective view of a container showing my new
design;
FIG. 2 is a front view of the design;
FIG. 3 is a rear view of the design;
FIG. 4 is a left side view of the design;
FIG. 5 is a right side view of the design;
FIG. 6 is a top view of the design; and,
FIG. 7 is a bottom view of the design.

(56) **References Cited**

U.S. PATENT DOCUMENTS

5,071,024 A * 12/1991 Delmerico et al. 220/908
5,160,060 A * 11/1992 Garofalo, Jr. 220/908
5,323,923 A * 6/1994 Schauer 220/908
D365,428 S * 12/1995 Prout et al. D34/5

1 Claim, 4 Drawing Sheets



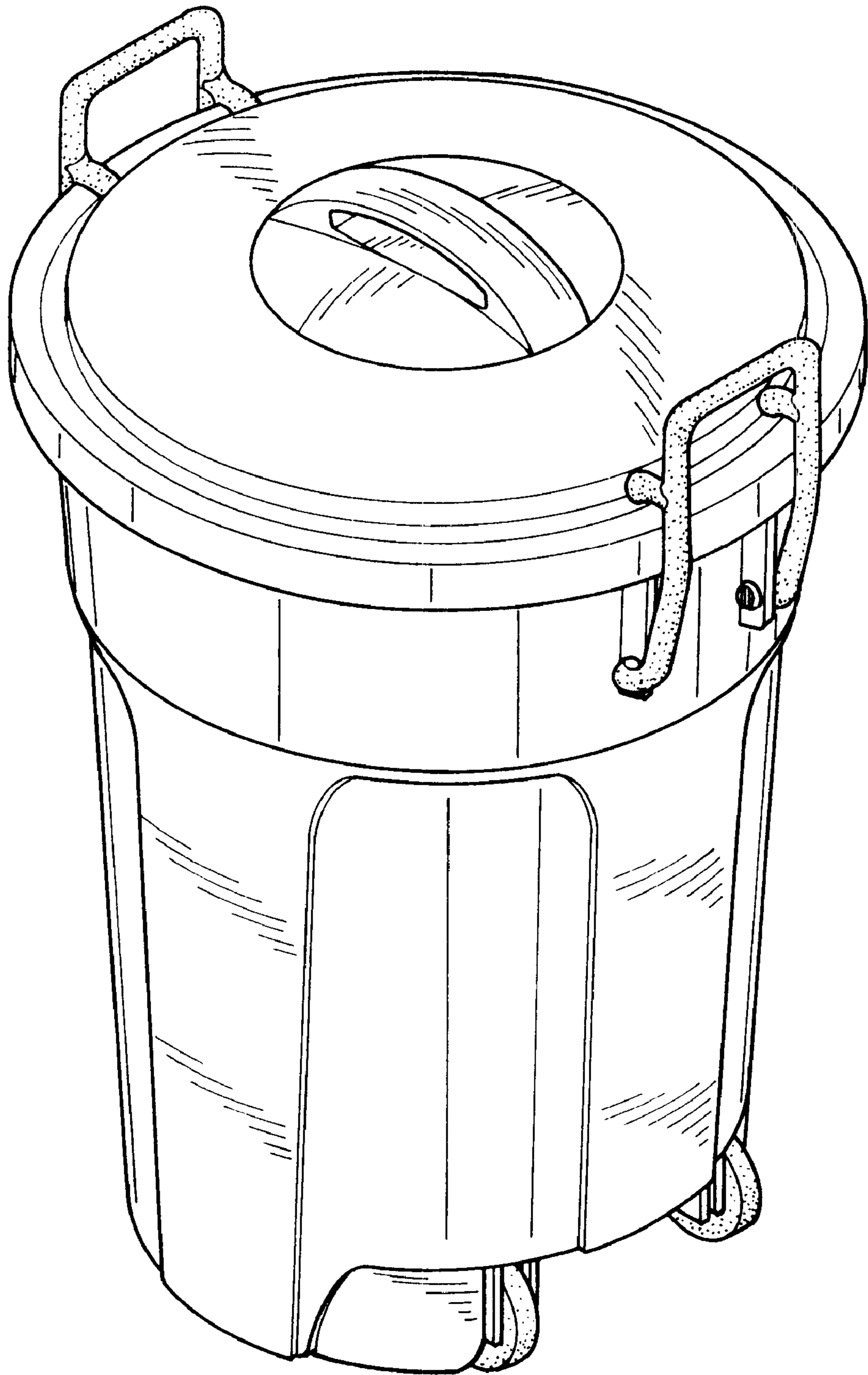


FIG. 1

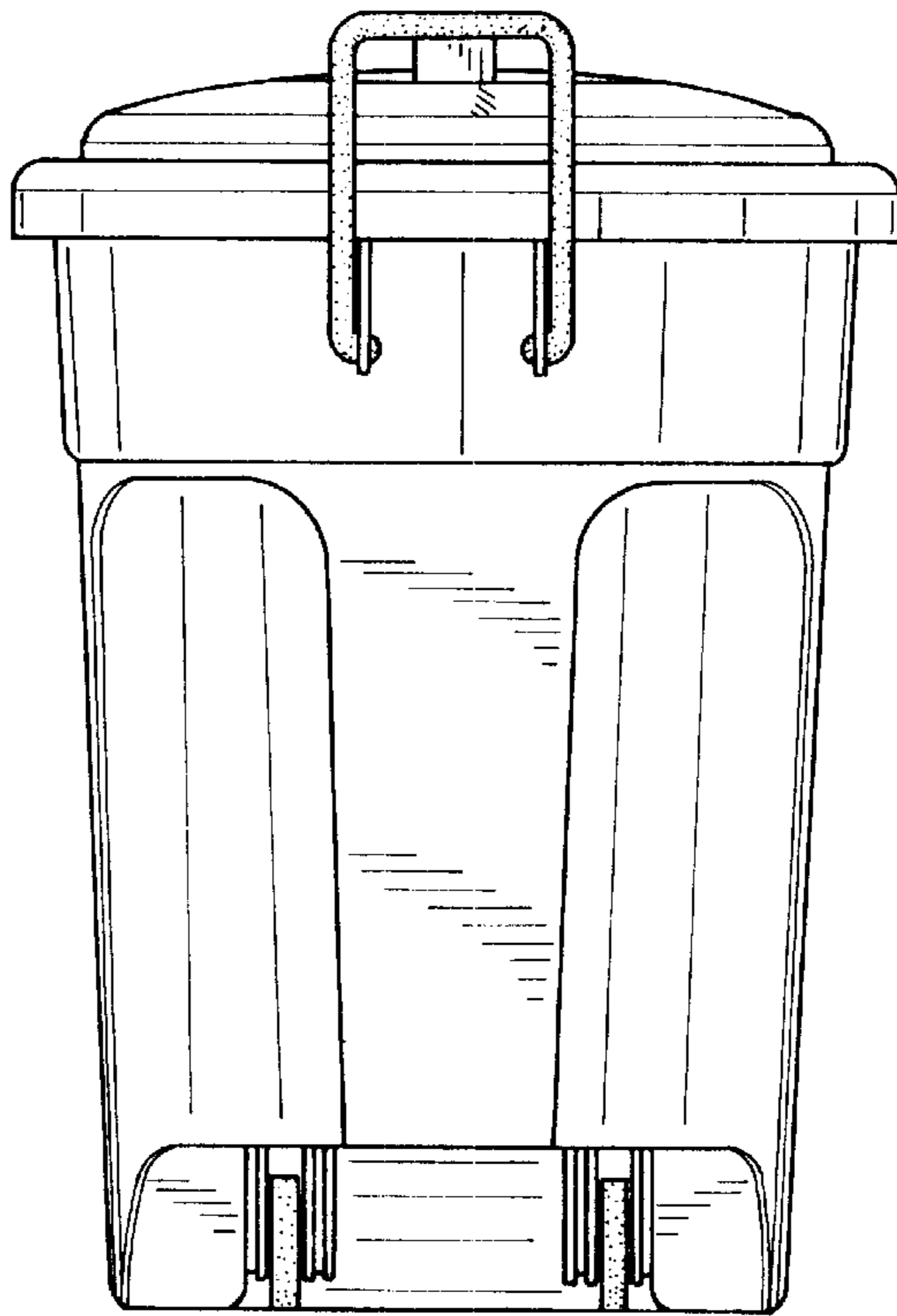


FIG. 2

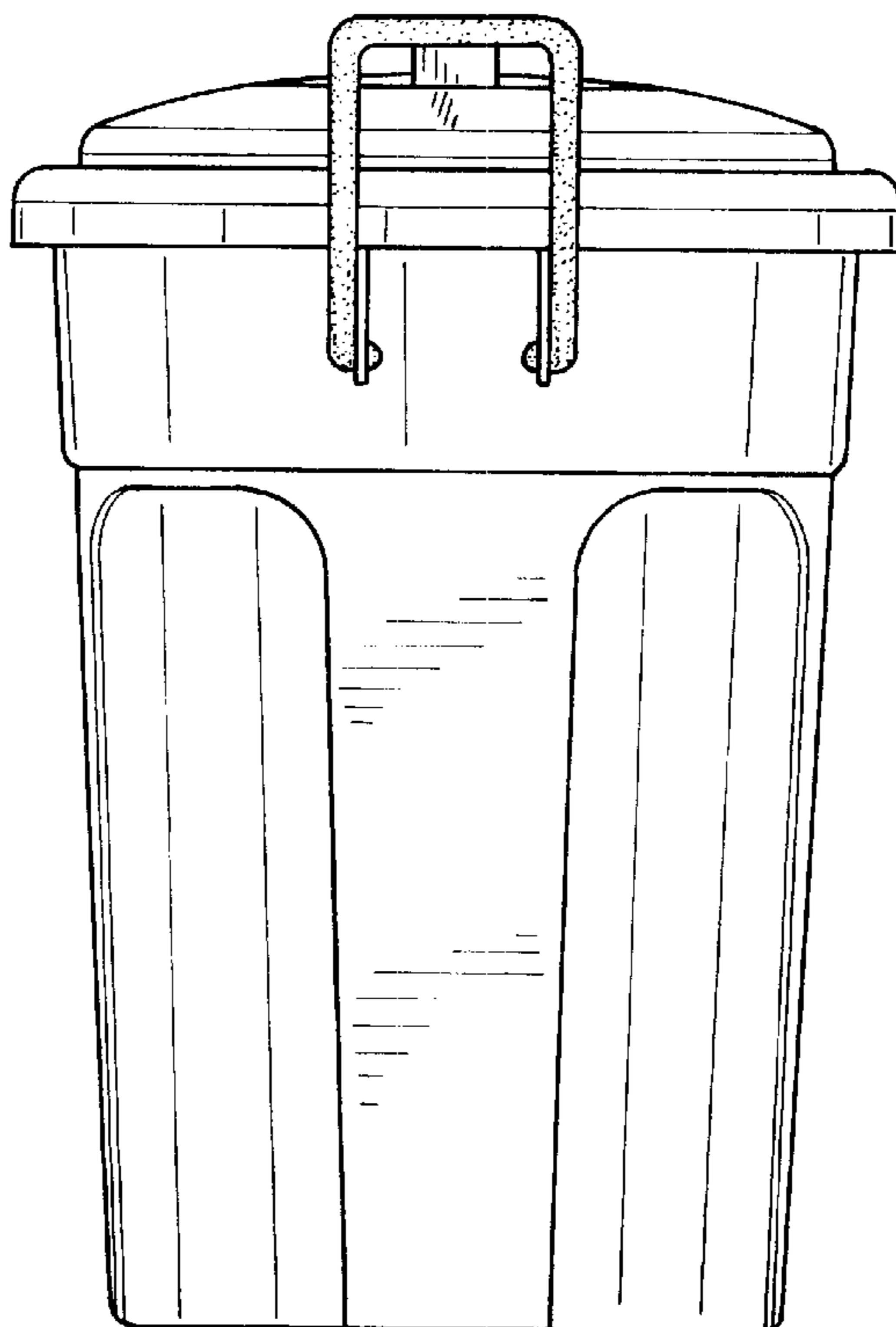


FIG. 3

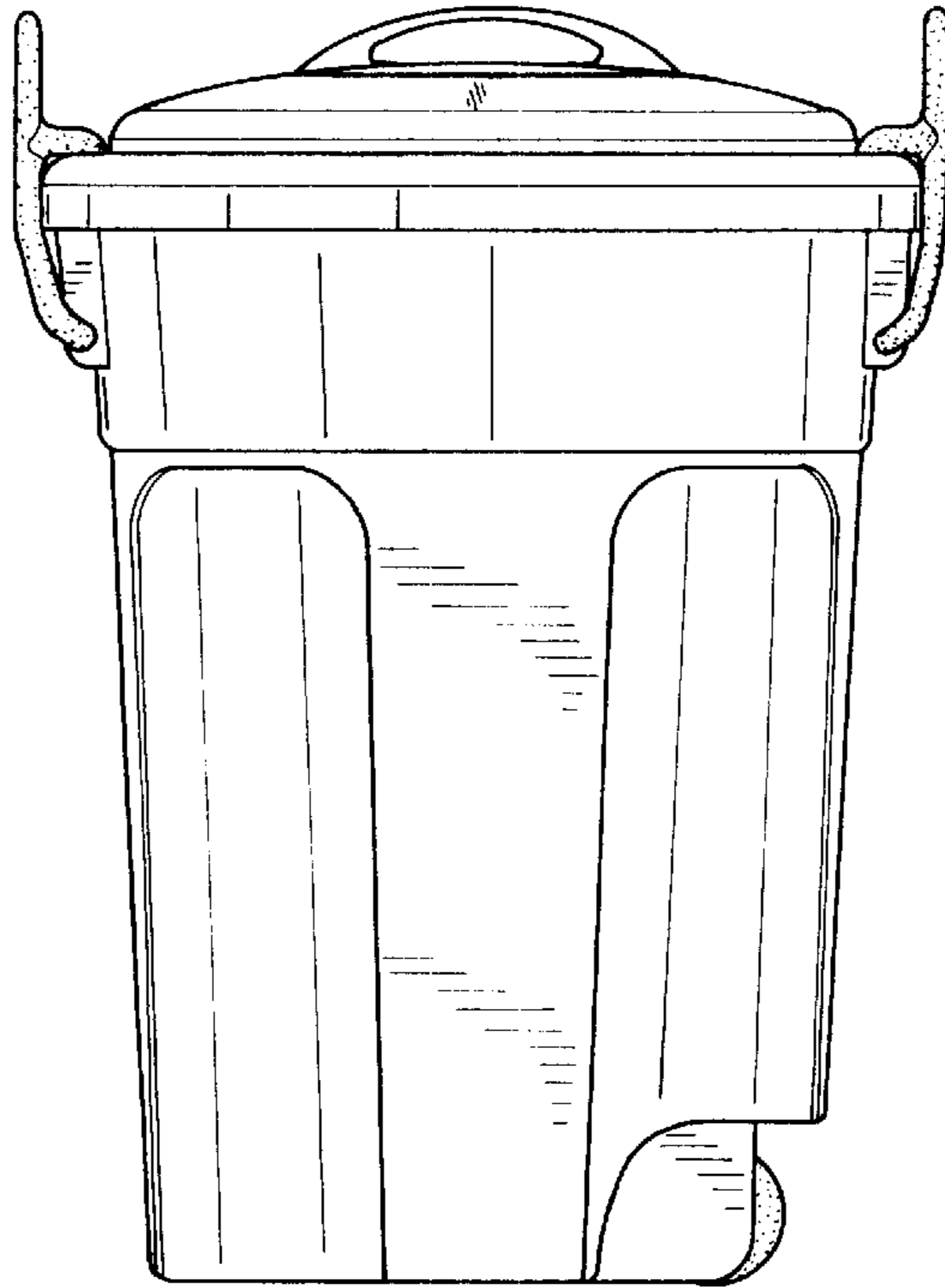


FIG. 4

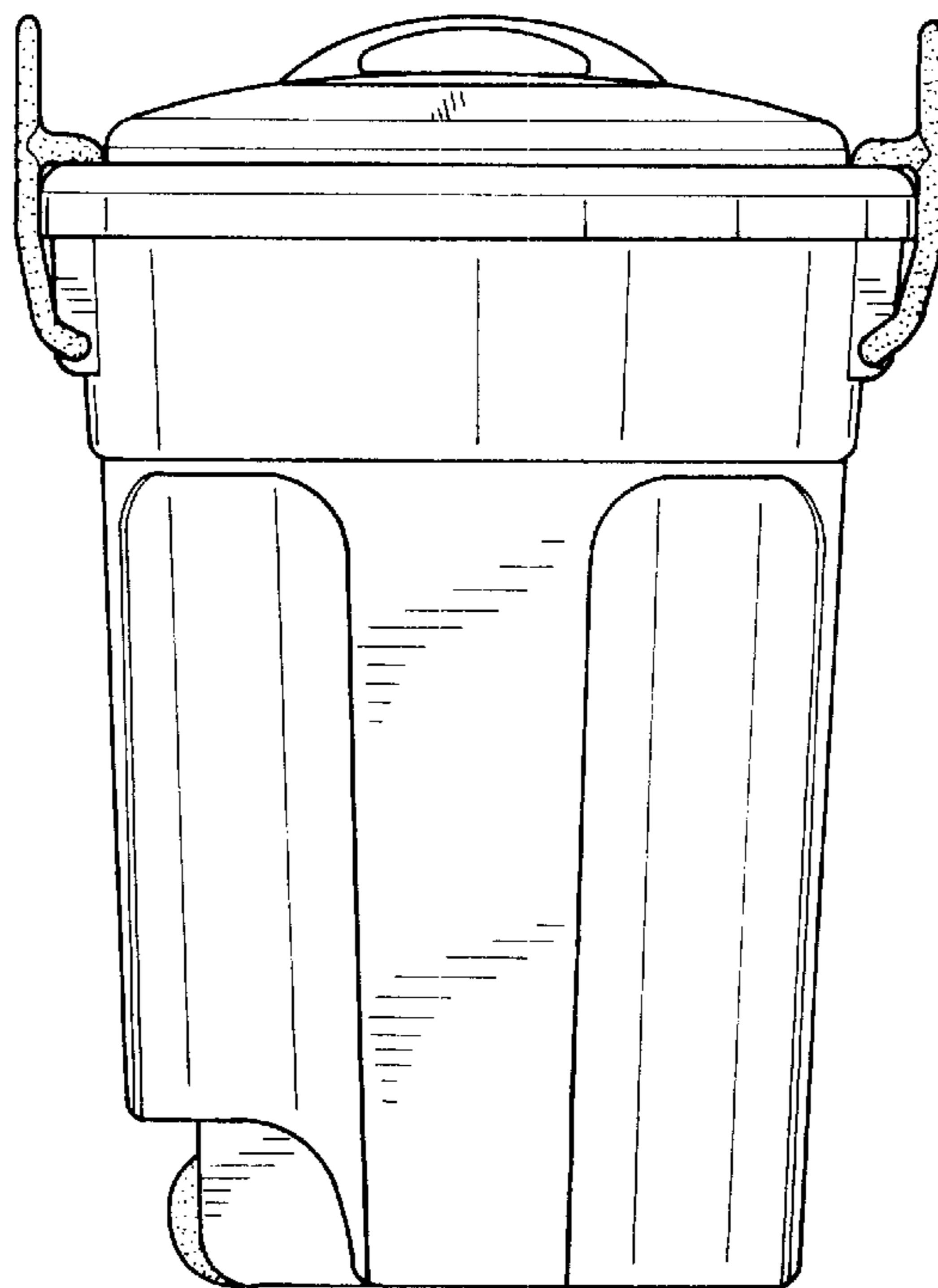


FIG. 5

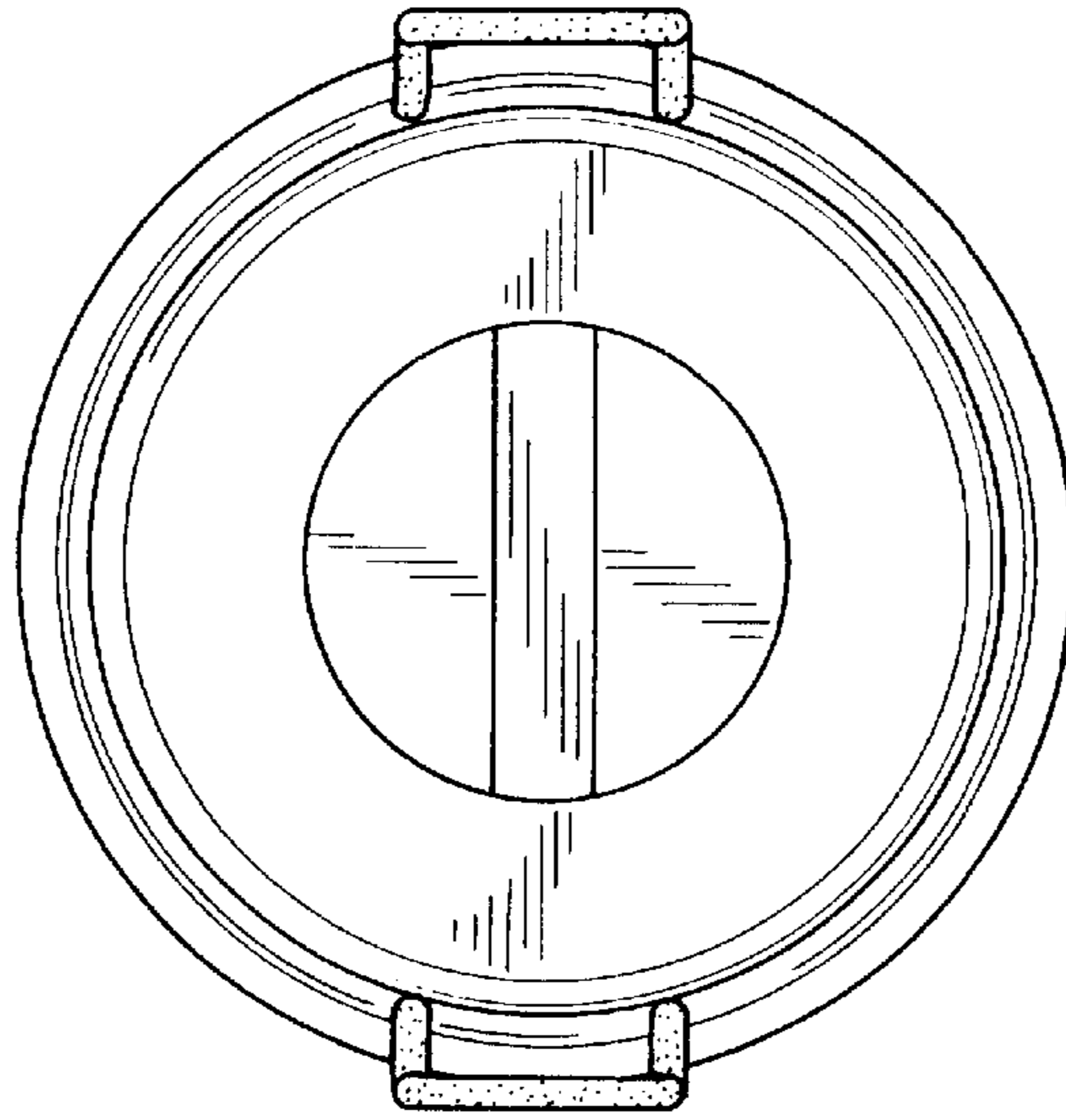


FIG. 6

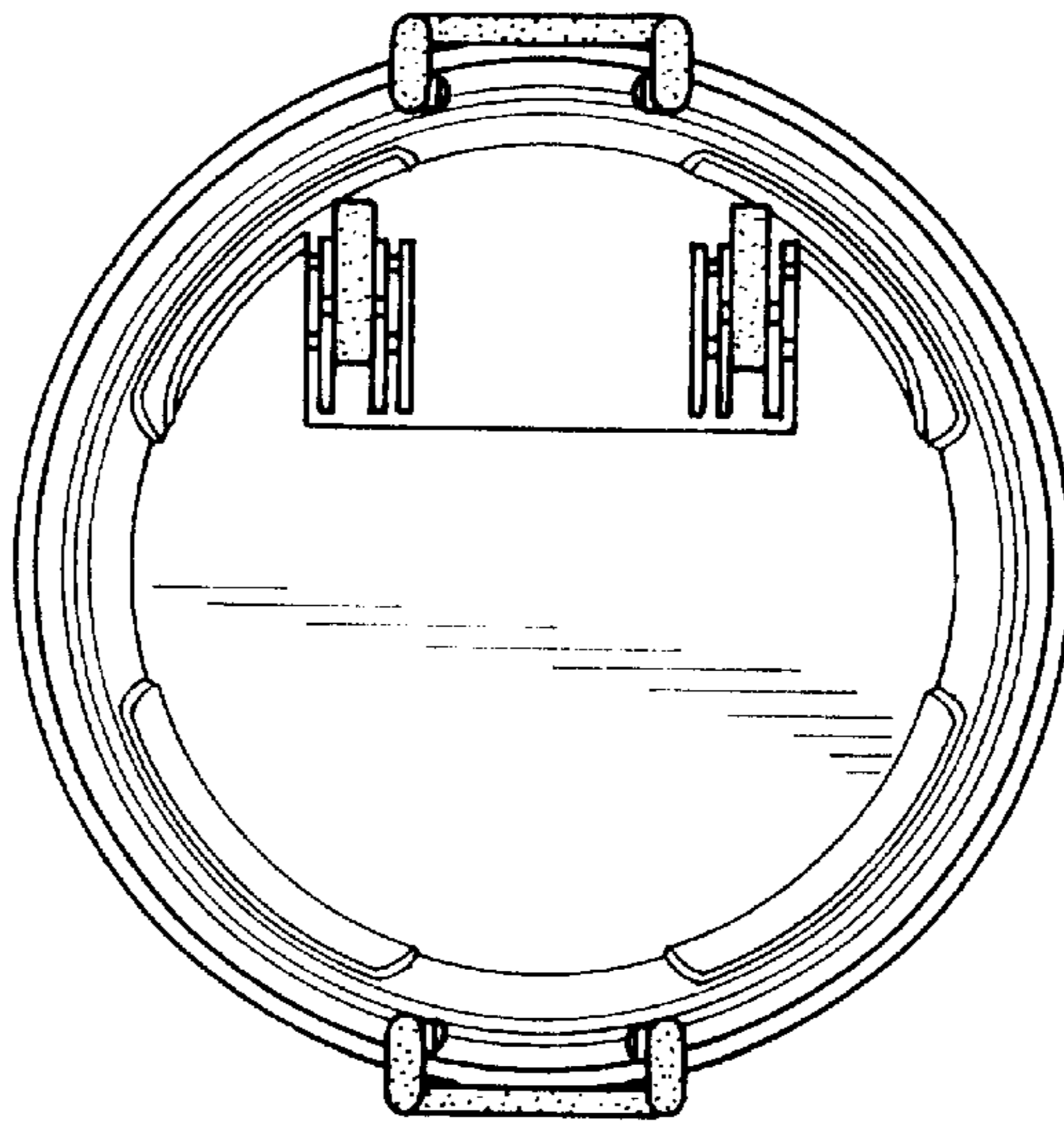


FIG. 7