



US00D476119S

(12) **United States Design Patent**
Boyer et al.

(10) **Patent No.:** **US D476,119 S**

(45) **Date of Patent:** **** Jun. 17, 2003**

(54) **POWER TOOL HOUSING**

(75) Inventors: **Christopher T. Boyer**, Oak Park, IL (US); **John T. Gerritsen**, Carpentersville, IL (US)

(73) Assignee: **WMH Tool Group, Inc.**, Palatine, IL (US)

(**) Term: **14 Years**

(21) Appl. No.: **29/167,965**

(22) Filed: **Sep. 24, 2002**

(51) **LOC (7) Cl.** **15-05**

(52) **U.S. Cl.** **D32/15; D8/62**

(58) **Field of Search** D8/61, 62, 67, D8/69, 70; D32/15, 17, 19; 15/97.1, 98; 310/50; 451/294, 344, 353, 354, 355, 356, 357, 358, 451, 453, 456; D4/102

(56) **References Cited**

U.S. PATENT DOCUMENTS

D205,758 S	9/1966	Storm, Jr.	
3,733,634 A	5/1973	Golbe	
D254,231 S	* 2/1980	Burglin et al.	D8/62
4,188,682 A	* 2/1980	Burglin et al.	15/97.1
D264,797 S	* 6/1982	Burglin et al.	D8/62
D273,079 S	3/1984	Ibaraki	
D283,590 S	4/1986	Ibaraki	
4,791,694 A	* 12/1988	Itaya et al.	15/97.1
4,899,414 A	* 2/1990	Irwin	15/97.1
4,965,905 A	* 10/1990	Kitahata et al.	15/97.1
D312,714 S	12/1990	Simonelli et al.	
D313,094 S	* 12/1990	Itaya et al.	D32/19
D332,734 S	1/1993	Fushiya et al.	
5,593,312 A	1/1997	McCracken	
5,595,532 A	1/1997	McCracken	
D378,002 S	2/1997	Hung	
5,642,008 A	6/1997	McCracken	
5,678,272 A	10/1997	McCracken et al.	
D391,698 S	3/1998	McCracken et al.	
D392,778 S	3/1998	McCracken	
5,830,047 A	11/1998	McCracken	
D414,666 S	10/1999	Cortes	
D418,264 S	12/1999	Rees	

D418,642 S	1/2000	Rees
6,168,507 B1	1/2001	McCracken
D443,397 S	6/2001	Williams
6,290,587 B1	9/2001	McCracken et al.
D465,074 S	10/2002	McCracken et al.

OTHER PUBLICATIONS

Interdynamics website, Materials from id-usa.com Internet website, 5pp., © 1999, Superbuffer, Model # FB-7, Model # FB-7CS, Model # CBF-12, Model # CBF-12CS.

WEN Products website, Materials from wenproducts.com Internet website, 5pp. © 2002, printed out Dec. 18, 2002, System 4—Model 4000, System 4 plus—Model 4020, 6" Random Orbit Palm Polisher—Model 6010, 11" Random Orbit Pro Waxer—Model 7050, 8" Random orbit Polisher—Model 8 PM, 10" Random Orbit Polisher—Model 10 PM, 7" Right Angle Rotary Sander/Polisher—Model 943, System 4 Plus Scrubber/Buffer—Model 4020.

* cited by examiner

Primary Examiner—Doris V. Coles

Assistant Examiner—Elizabeth Albert

(74) *Attorney, Agent, or Firm*—Fitch, Even, Tabin & Flannery

(57) **CLAIM**

We claim the ornamental design for a power tool housing, as shown and described.

DESCRIPTION

FIG. 1 is a perspective view of a power tool housing according to our new design, the broken lines of the power tool housing are for illustrative purposes only and form no part of the claimed design;

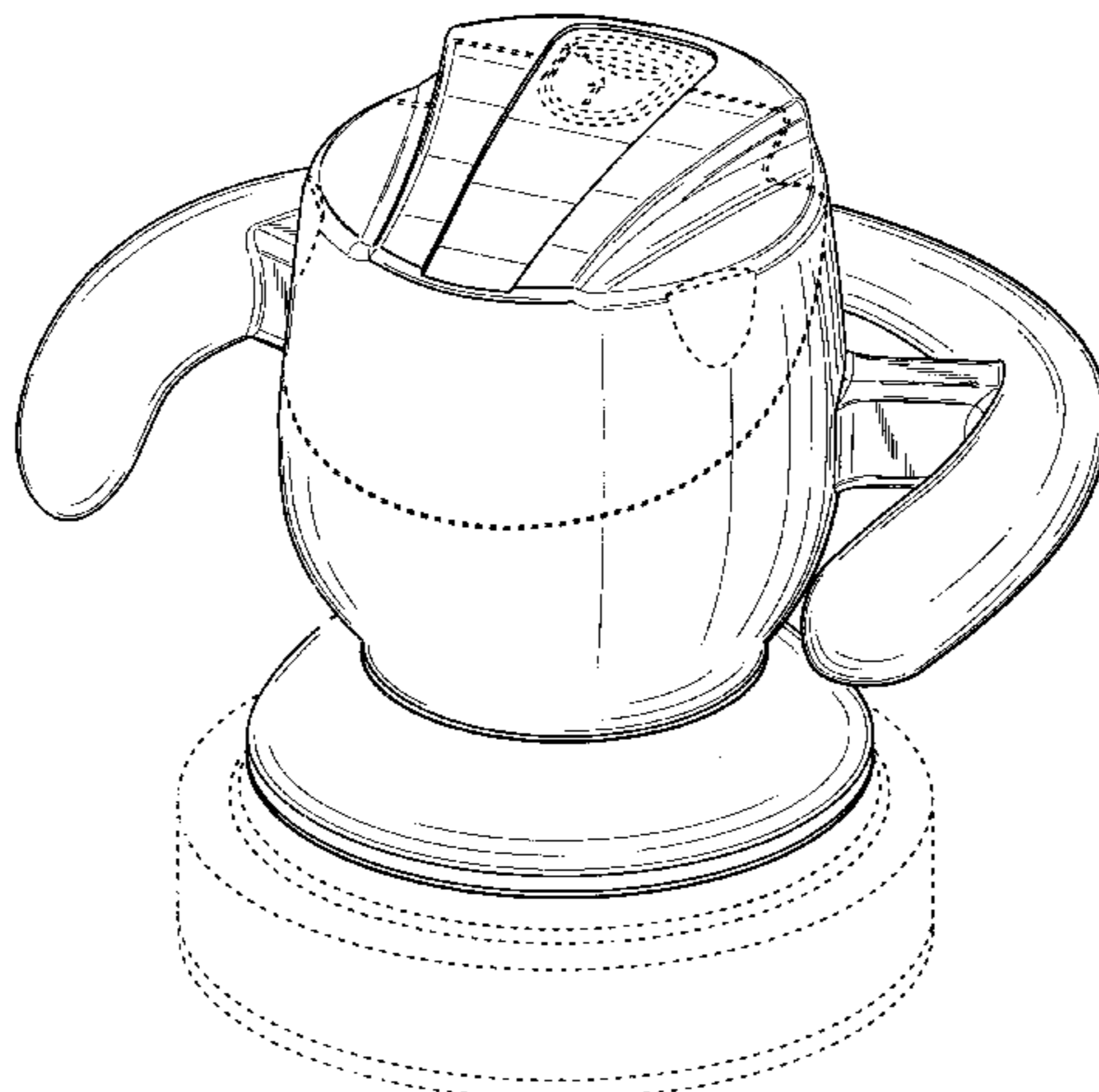
FIG. 2 is a front elevational view of the power tool housing of FIG. 1;

FIG. 3 is a left-side elevational view of the power tool housing of FIG. 1;

FIG. 4 is a right-side elevational view of the power tool housing of FIG. 1; and,

FIG. 5 is a top plan view of the power tool housing of FIG. 1.

1 Claim, 3 Drawing Sheets



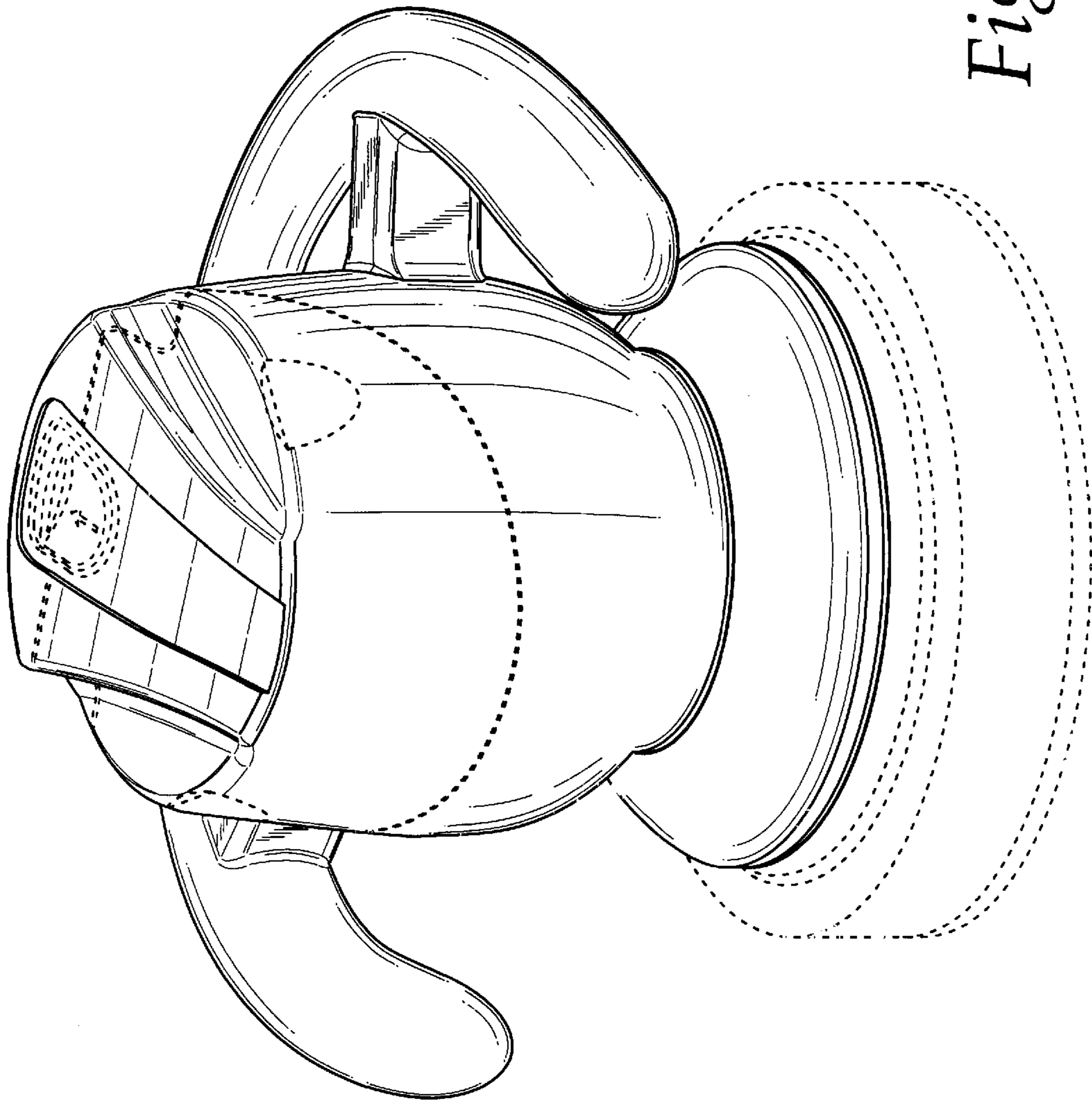


Fig. 1

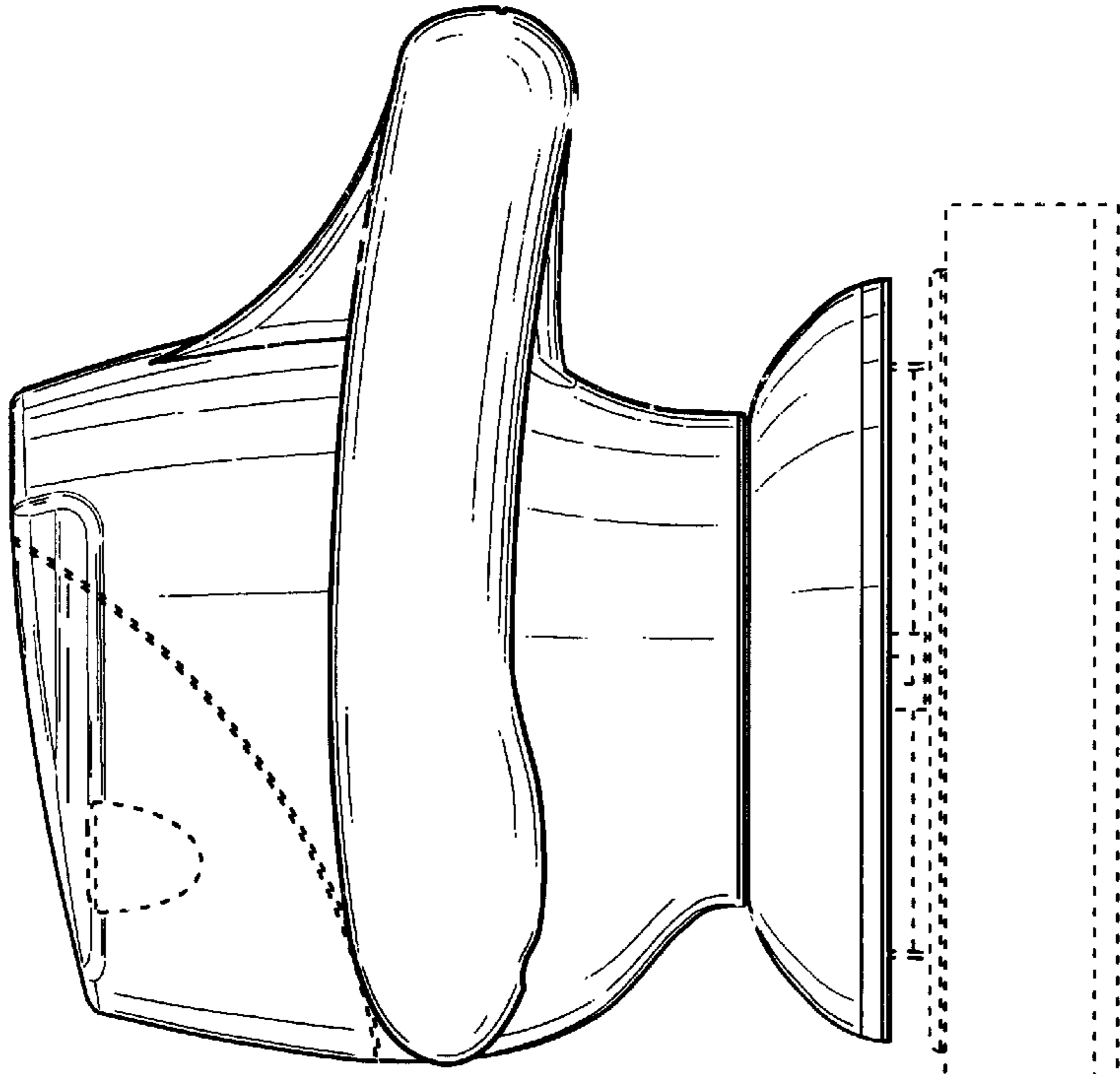


Fig. 3

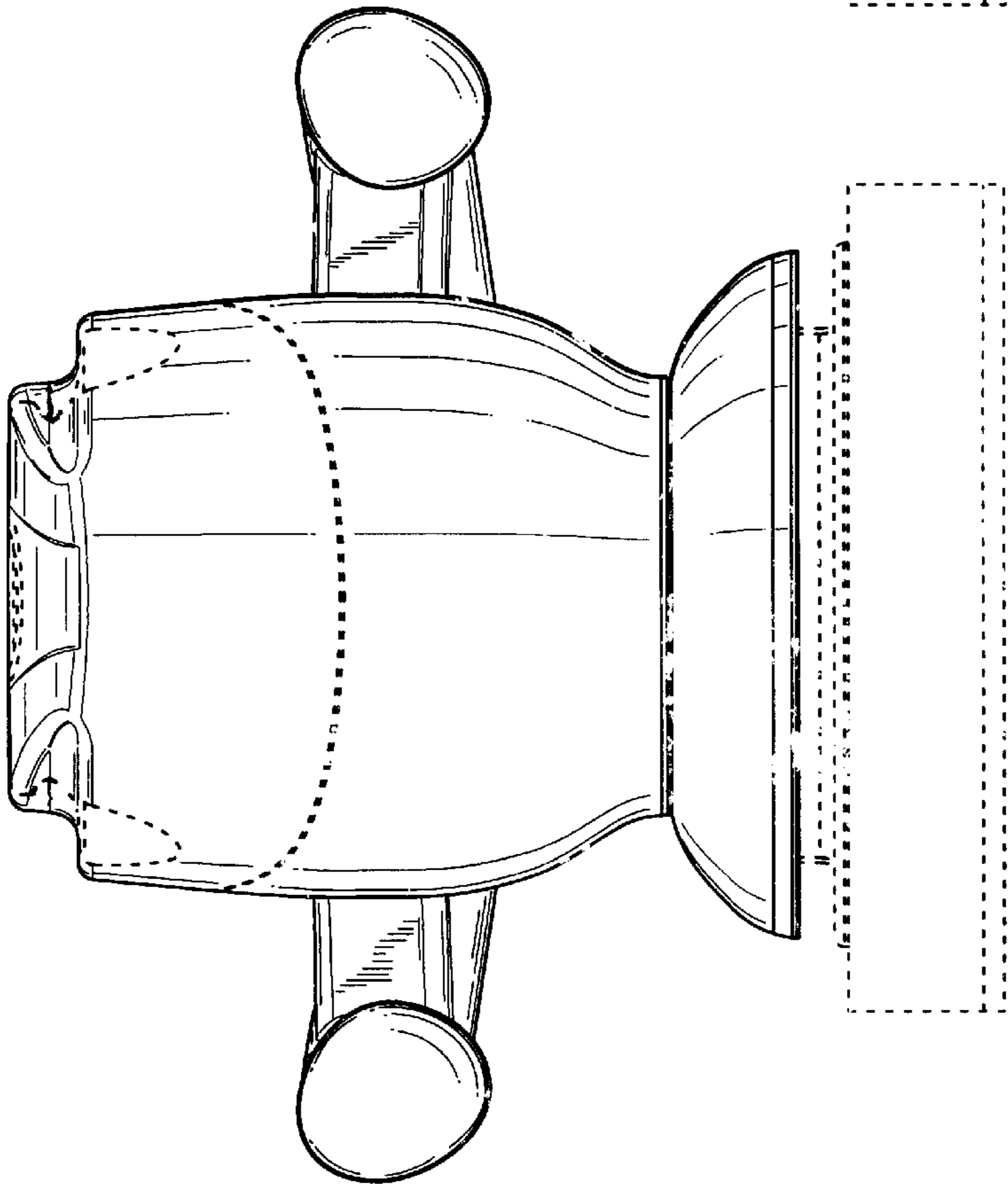


Fig. 2

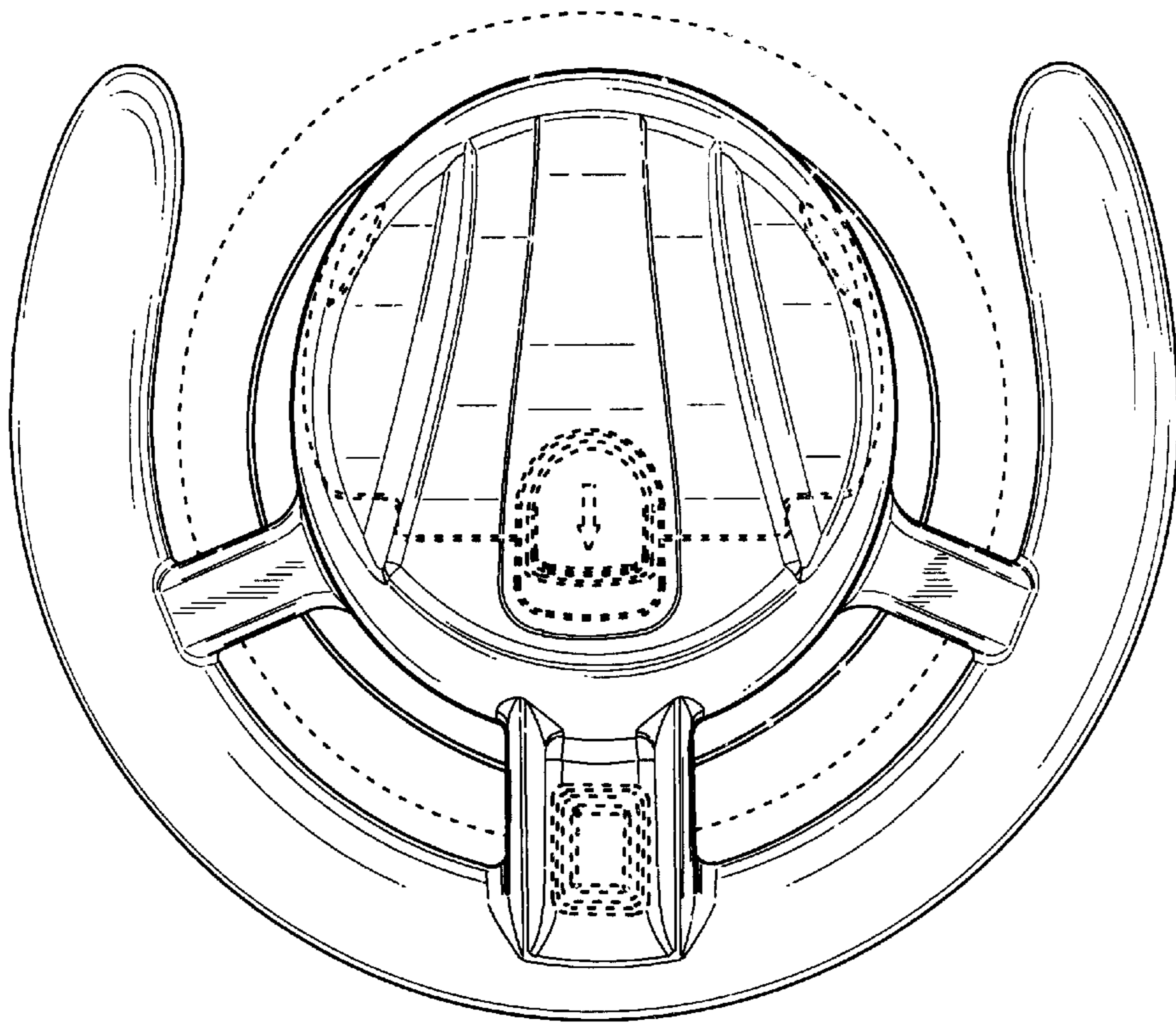


Fig. 5

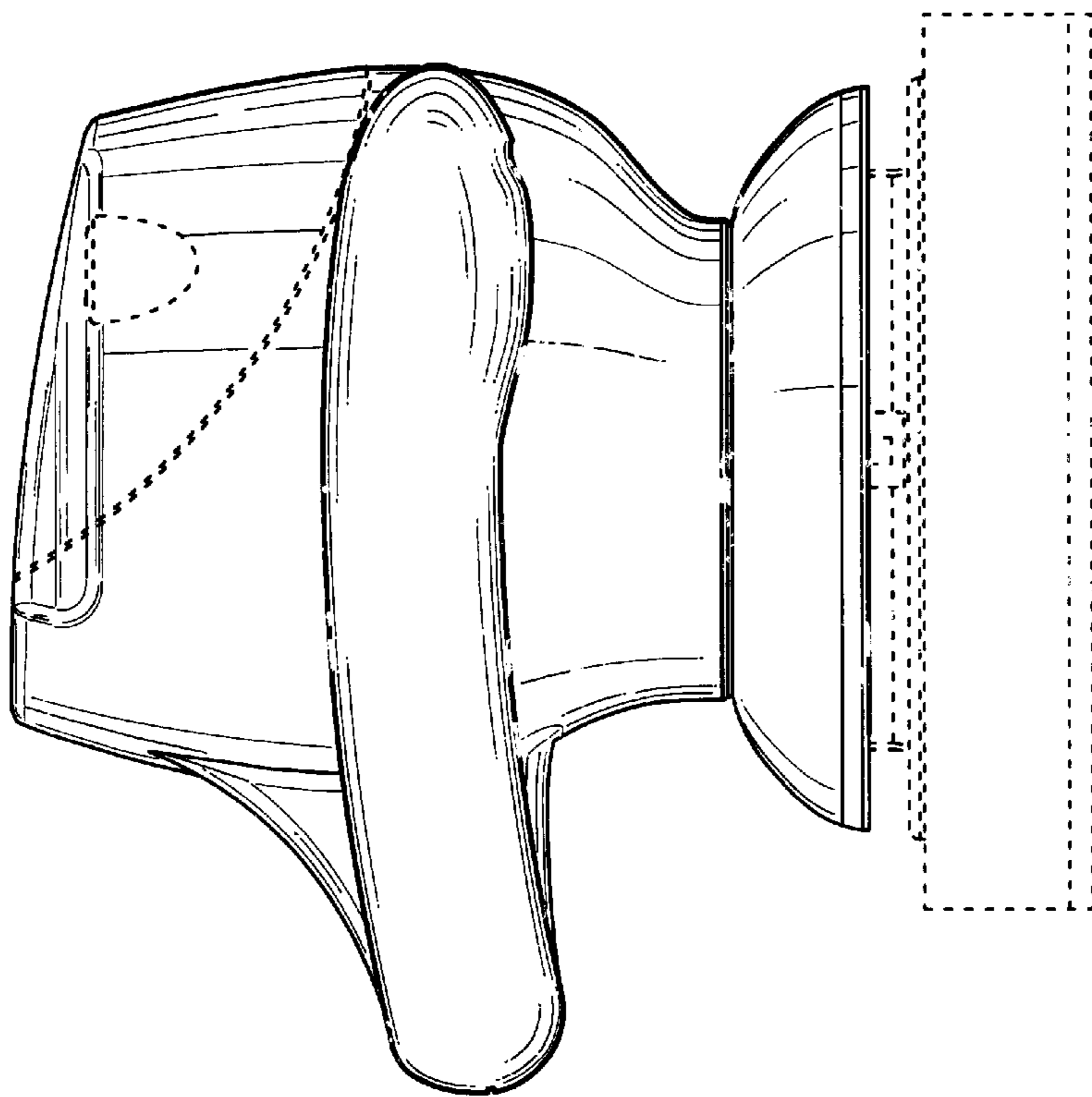


Fig. 4