



US00D476117S

(12) **United States Design Patent**
Nicholas

(10) **Patent No.:** **US D476,117 S**

(45) **Date of Patent:** **** Jun. 17, 2003**

(54) **BIRD FEEDER FRAME**

(76) Inventor: **Timothy E. Nicholas**, 837 Roundhill Church Rd., Traphill, NC (US) 28685

(**) Term: **14 Years**

(21) Appl. No.: **29/170,432**

(22) Filed: **Nov. 5, 2002**

Related U.S. Application Data

(62) Division of application No. 09/912,722, filed on Jul. 26, 2001, now abandoned.

(51) **LOC (7) Cl.** **30-03**

(52) **U.S. Cl.** **D30/133; D30/124**

(58) **Field of Search** D30/133, 124, D30/121; 119/63, 51.5, 708, 61, 57.9, 57.8, 52.2, 52.3; 52/301, 726.3, 736.2; 248/121; 211/205

(56) **References Cited**

U.S. PATENT DOCUMENTS

4,767,088 A * 8/1988 Fielder et al. 248/121

5,392,732 A * 2/1995 Fry 119/57.9
6,269,771 B1 * 8/2001 Cotter 119/57.9
6,354,244 B1 * 3/2002 Green 119/429
6,386,142 B1 * 5/2002 Holscher et al. 119/57.8

* cited by examiner

Primary Examiner—Pamela Burgess

(57) **CLAIM**

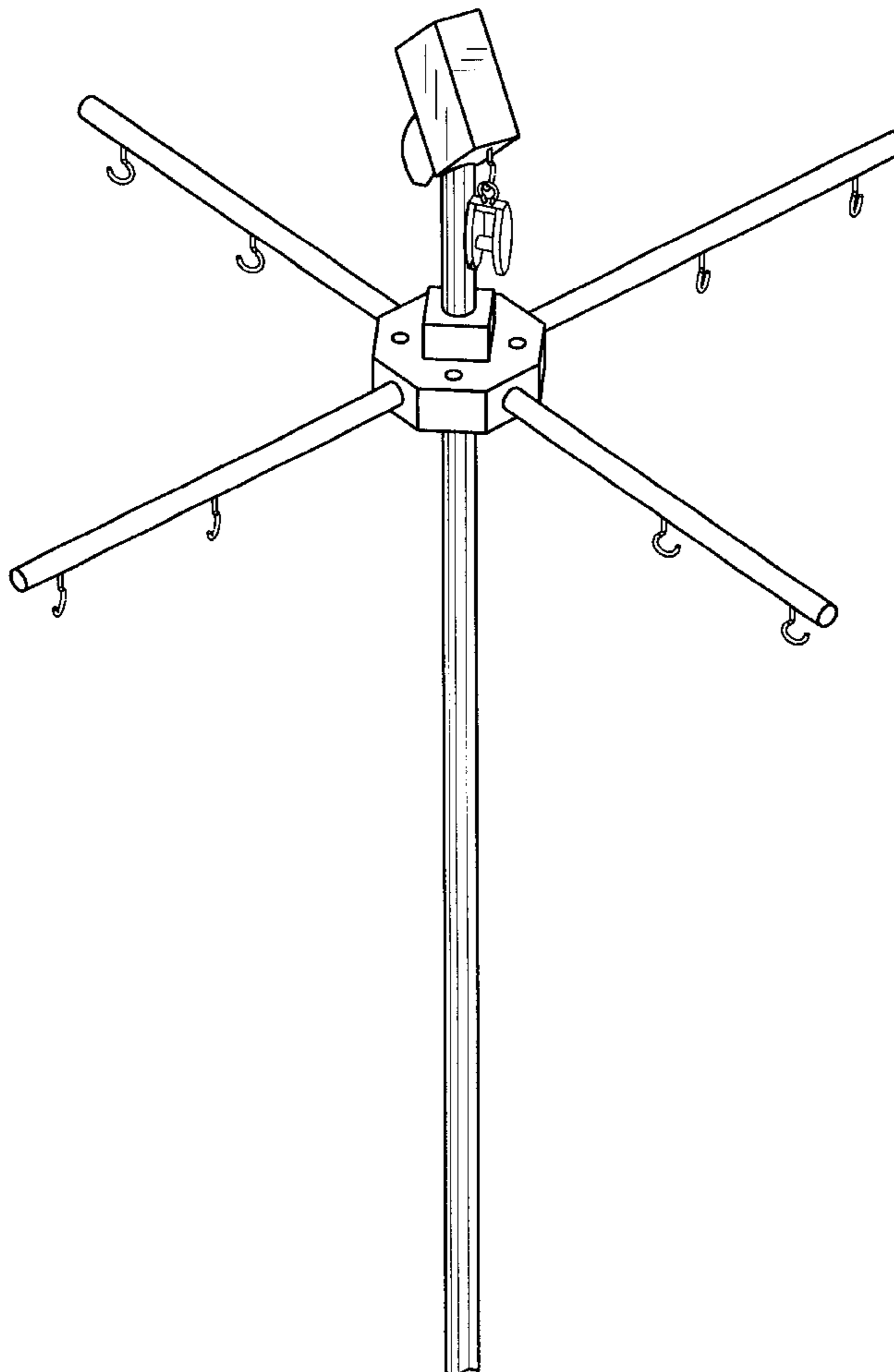
The ornamental design for a bird feeder frame, as shown and described.

DESCRIPTION

FIG. 1 illustrates a top, front, right side perspective view of a bird feeder frame of my design, the center post being shown fragmented as being of indeterminate length; and,

FIG. 2 is left side, rear elevational view of the bird feeder frame as shown in FIG. 1, the bottom view being plain and unornamental and not forming a part of the design.

1 Claim, 2 Drawing Sheets



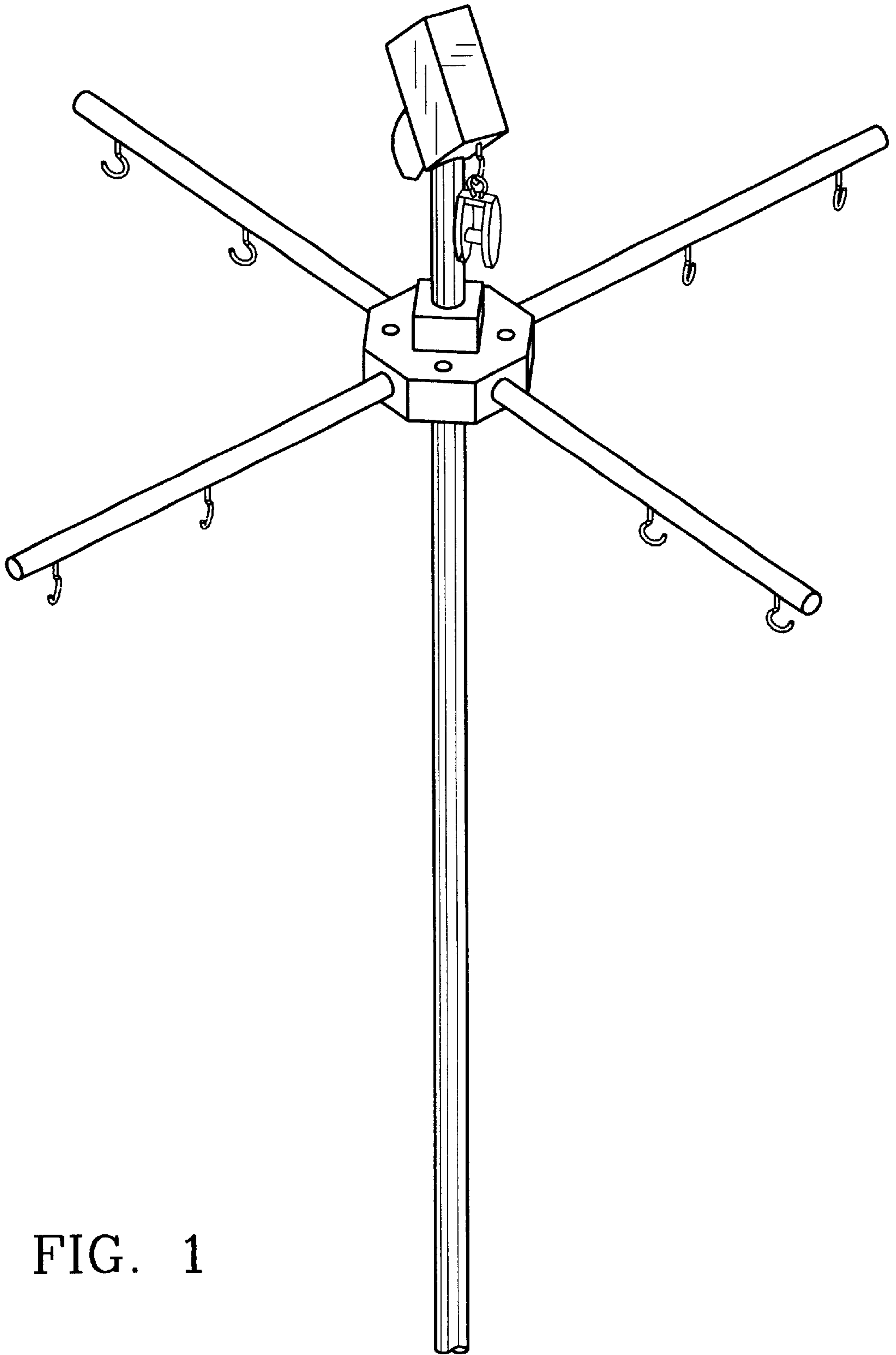


FIG. 1

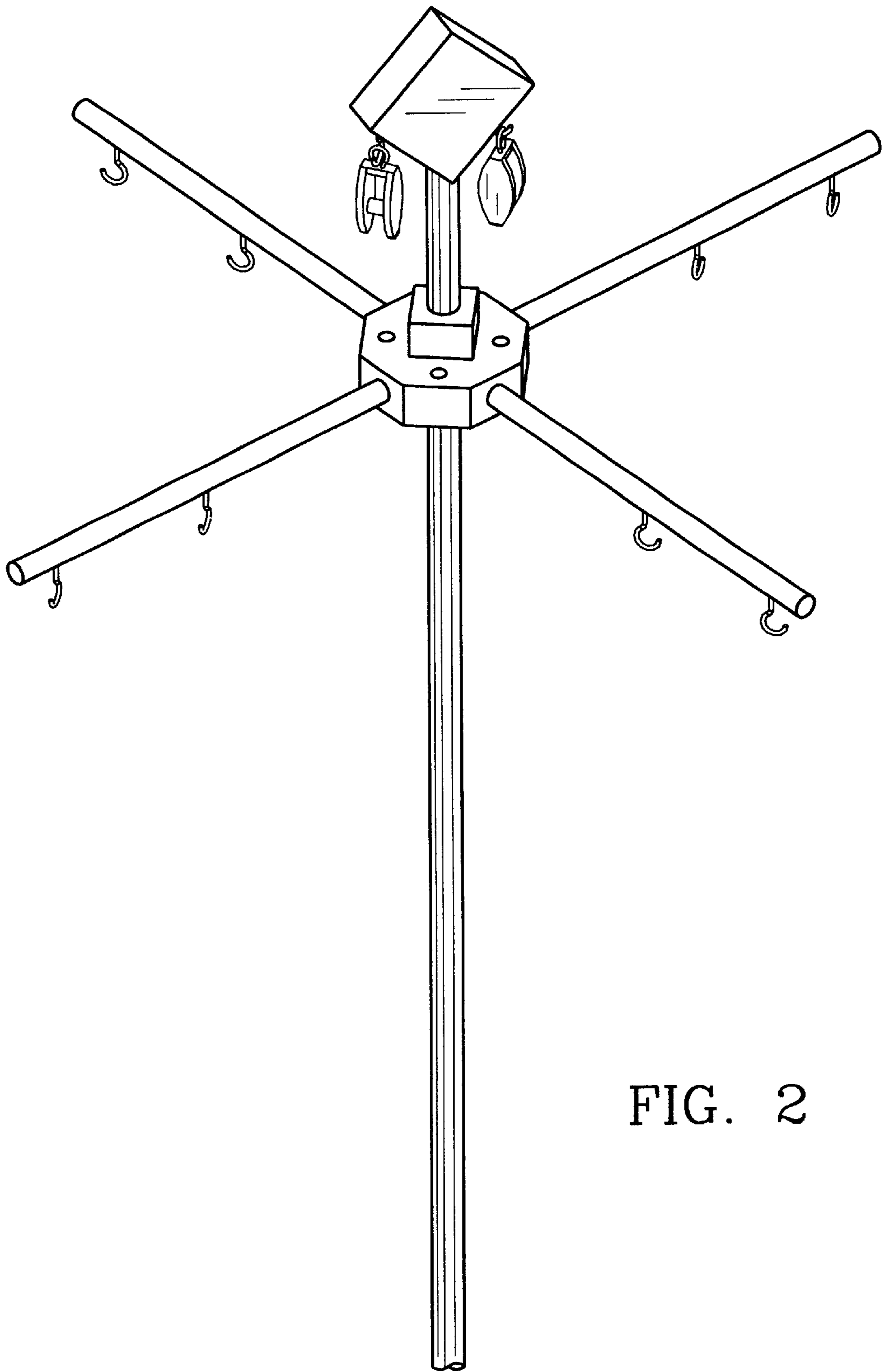


FIG. 2