



US00D476116S

(12) **United States Design Patent**
Cohen

(10) **Patent No.:** **US D476,116 S**

(45) **Date of Patent:** **** Jun. 17, 2003**

(54) **POCKET PLANNER**

(76) Inventor: **Christie H. Cohen**, 65 Valley Rd.,
Atlanta, GA (US) 30305

(**) Term: **14 Years**

(21) Appl. No.: **29/171,179**

(22) Filed: **Nov. 18, 2002**

(51) **LOC (7) Cl.** **28-03**

(52) **U.S. Cl.** **D28/83**

(58) **Field of Search** D28/73, 76, 78-84;
D3/295; 132/293-307, 314-315

(56) **References Cited**

U.S. PATENT DOCUMENTS

D409,801 S * 5/1999 Kim D28/83
D411,767 S * 7/1999 Keller D28/83

* cited by examiner

Primary Examiner—Jennifer Rivard
(74) *Attorney, Agent, or Firm*—Thomas, Kayden,
Horstemeyer & Risley, LLP

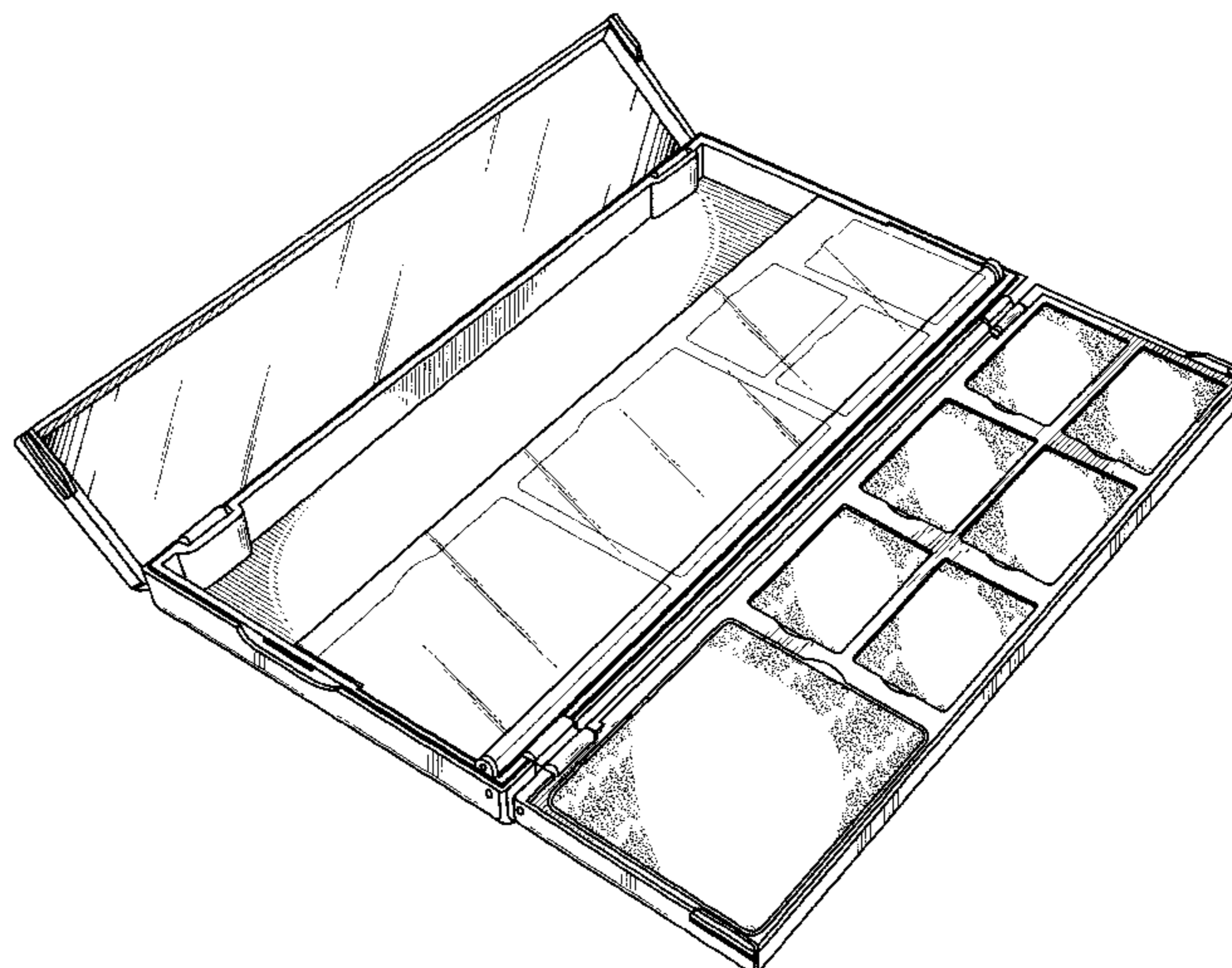
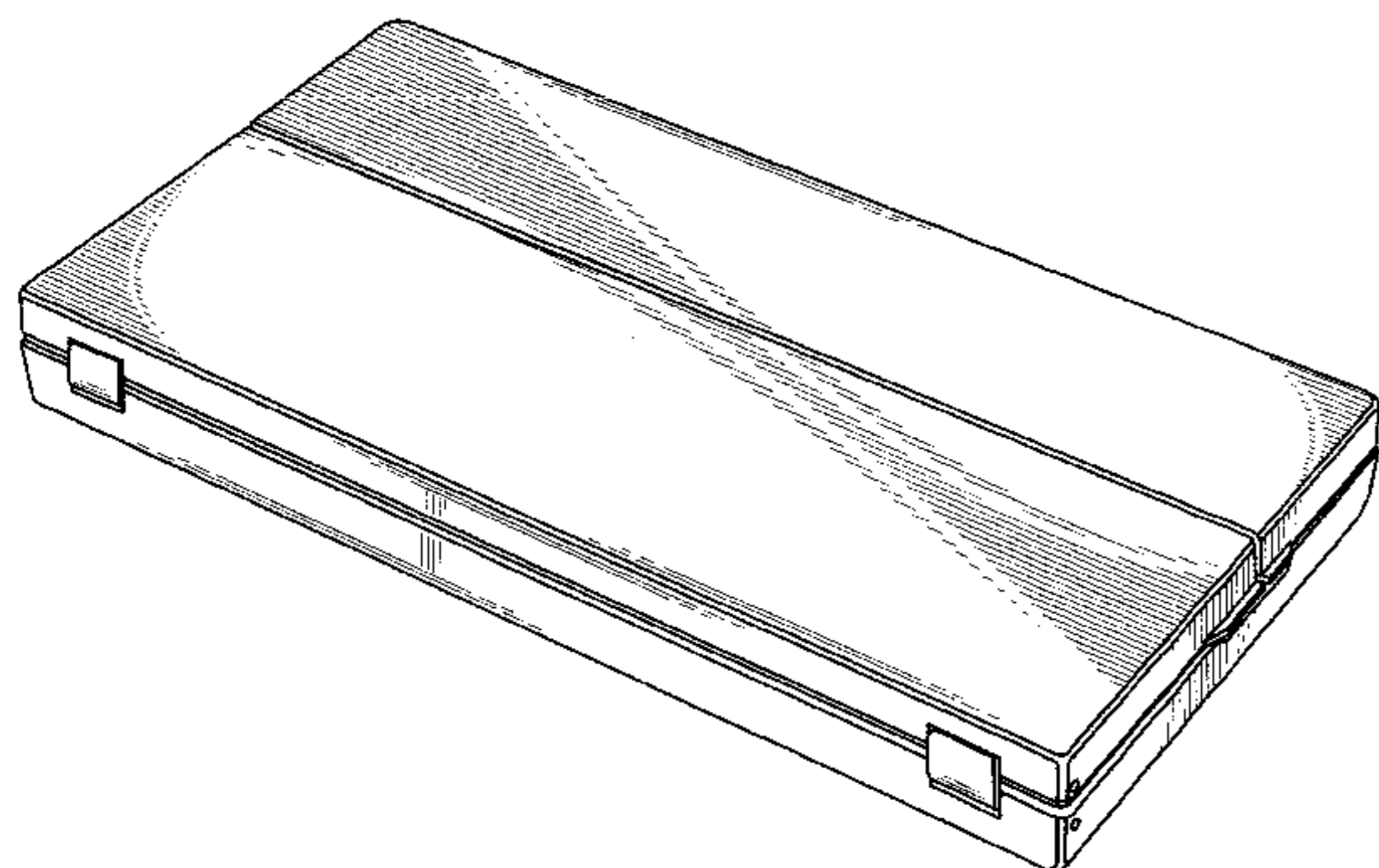
(57) **CLAIM**

The ornamental design for a pocket planner, as shown and described.

DESCRIPTION

FIG. 1 is a perspective view showing the pocket planner in a closed configuration;
FIG. 2 is a left side view thereof;
FIG. 3 is a right side view thereof;
FIG. 4 is a front view thereof;
FIG. 5 is a back view thereof; and
FIG. 6 is a top view thereof;
FIG. 7 is a bottom view thereof; and,
FIG. 8 is a perspective view showing the pocket planner in an open configuration.

1 Claim, 4 Drawing Sheets



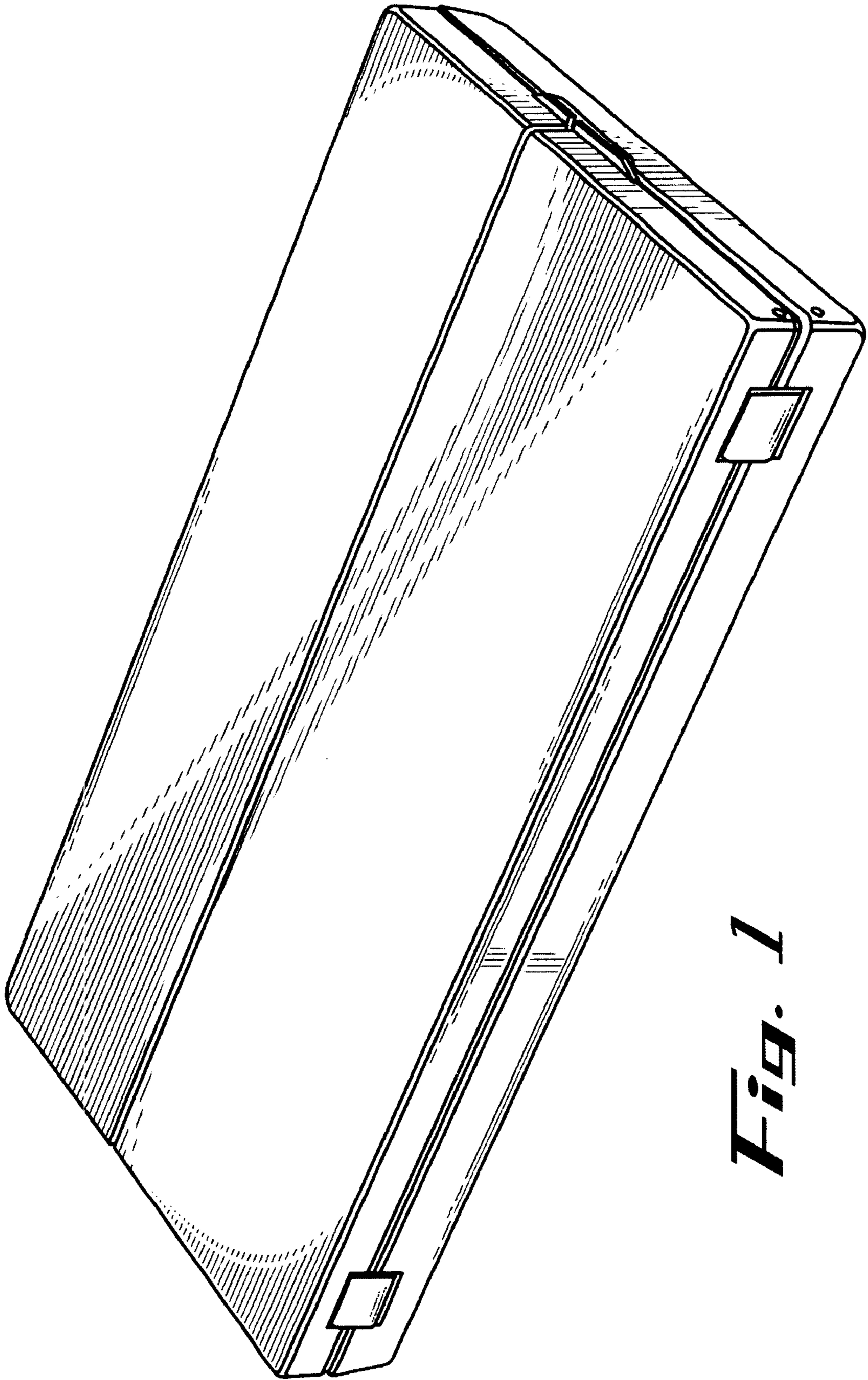


Fig. 1

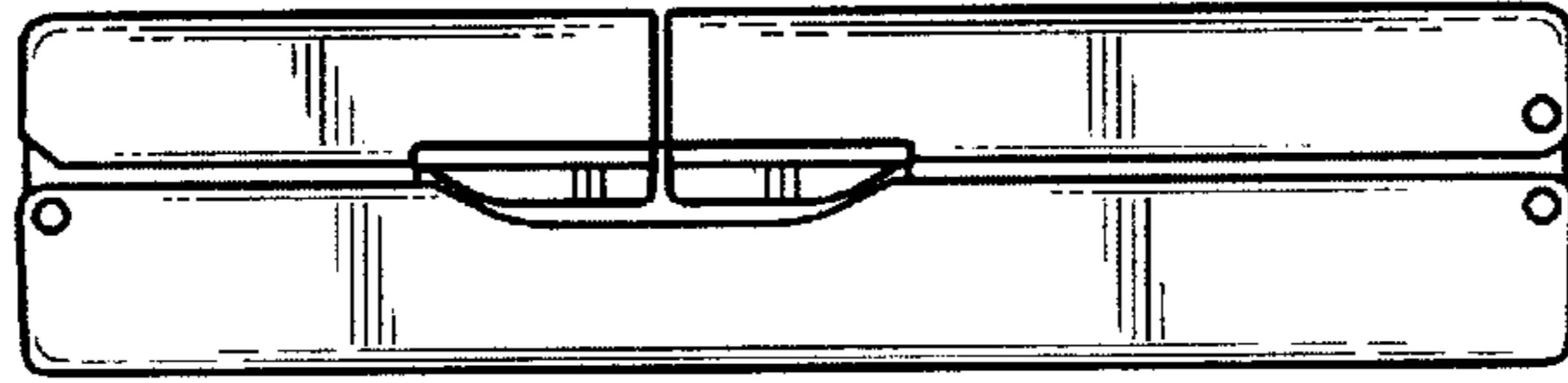


Fig. 2

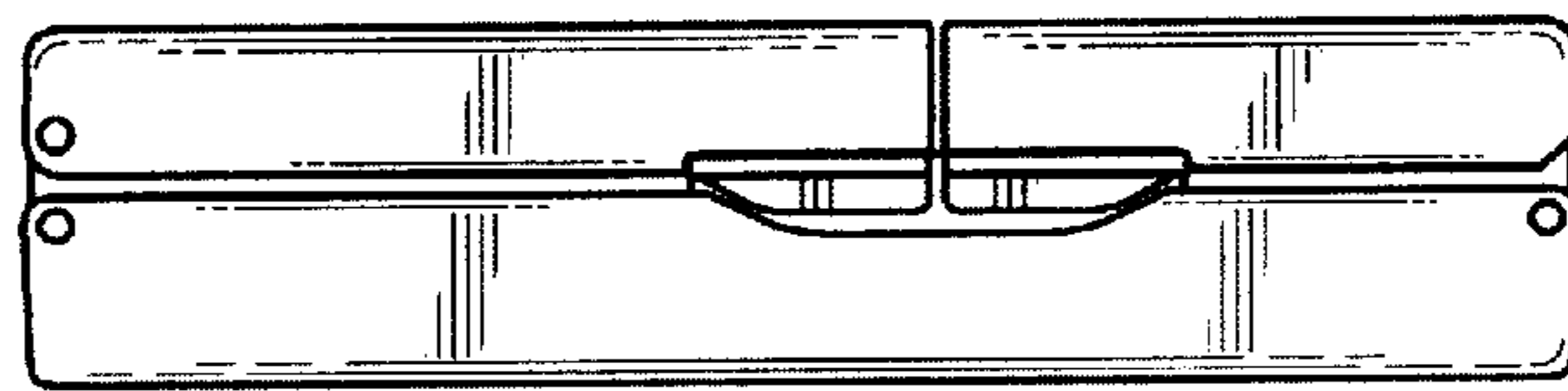


Fig. 3

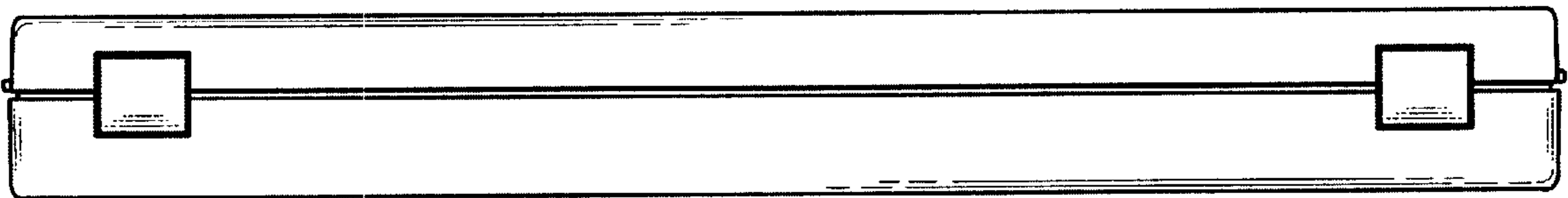


Fig. 4

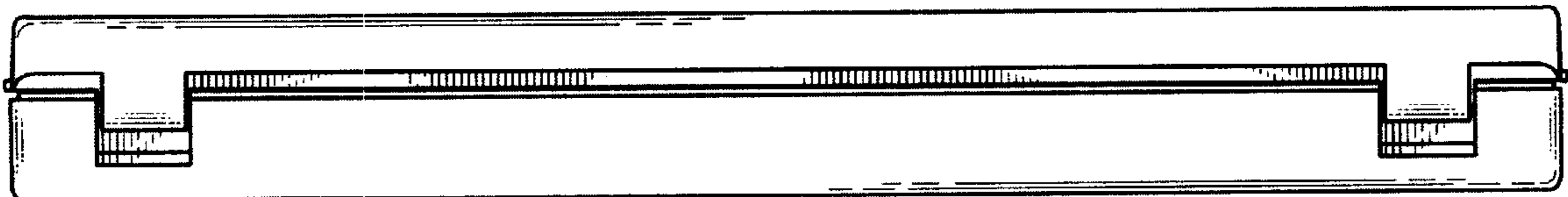


Fig. 5

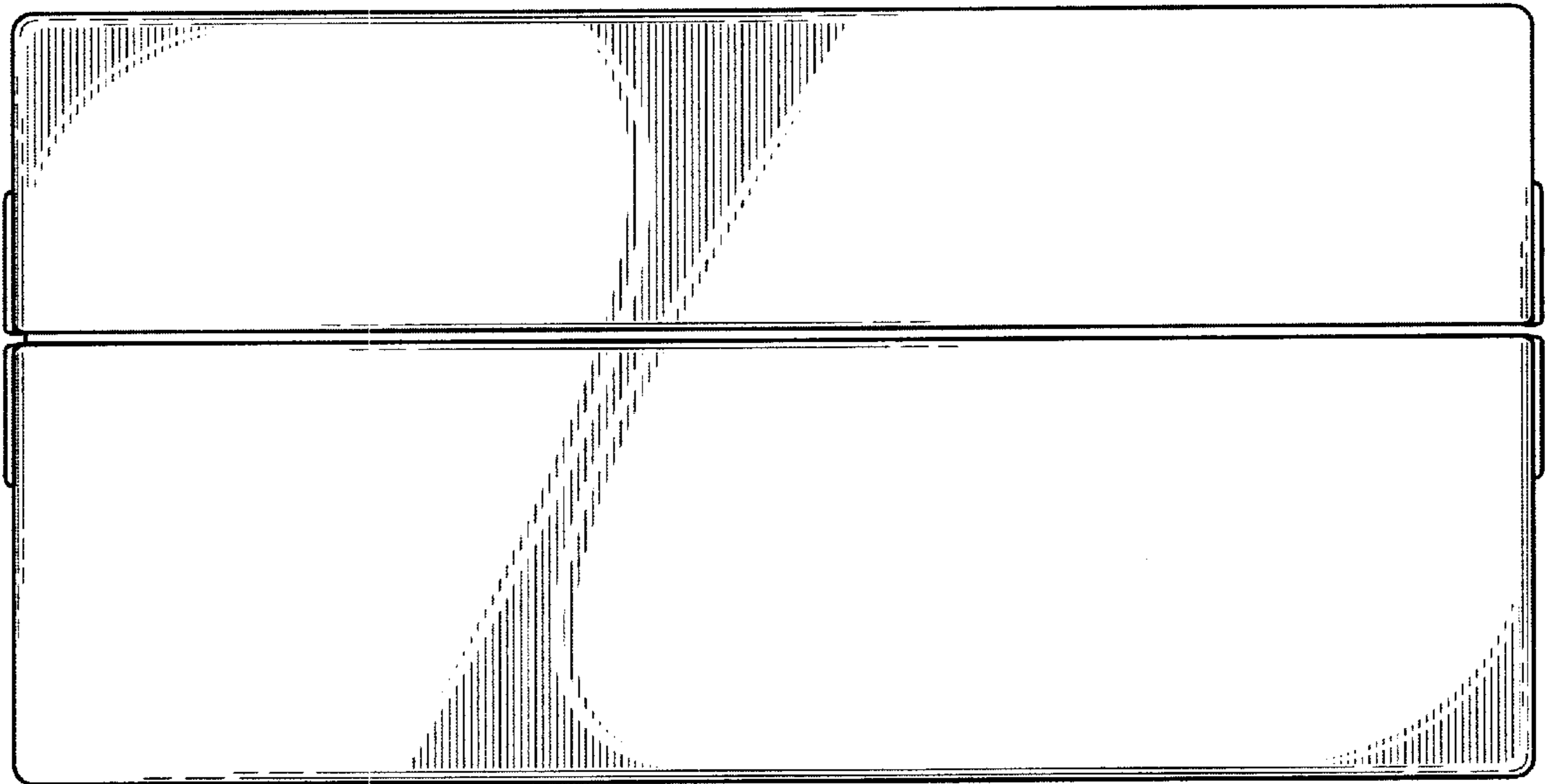


Fig. 6

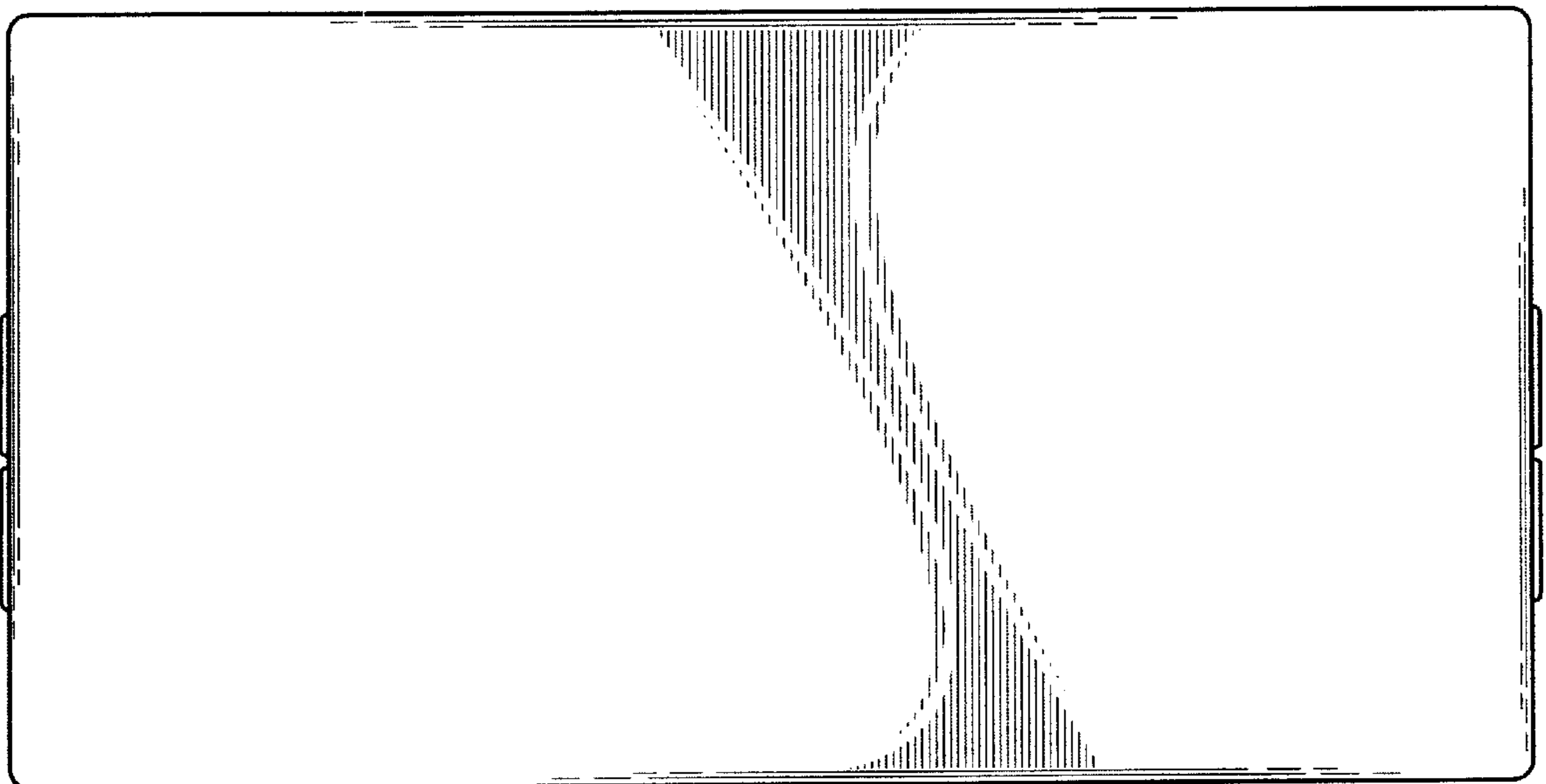


Fig. 7

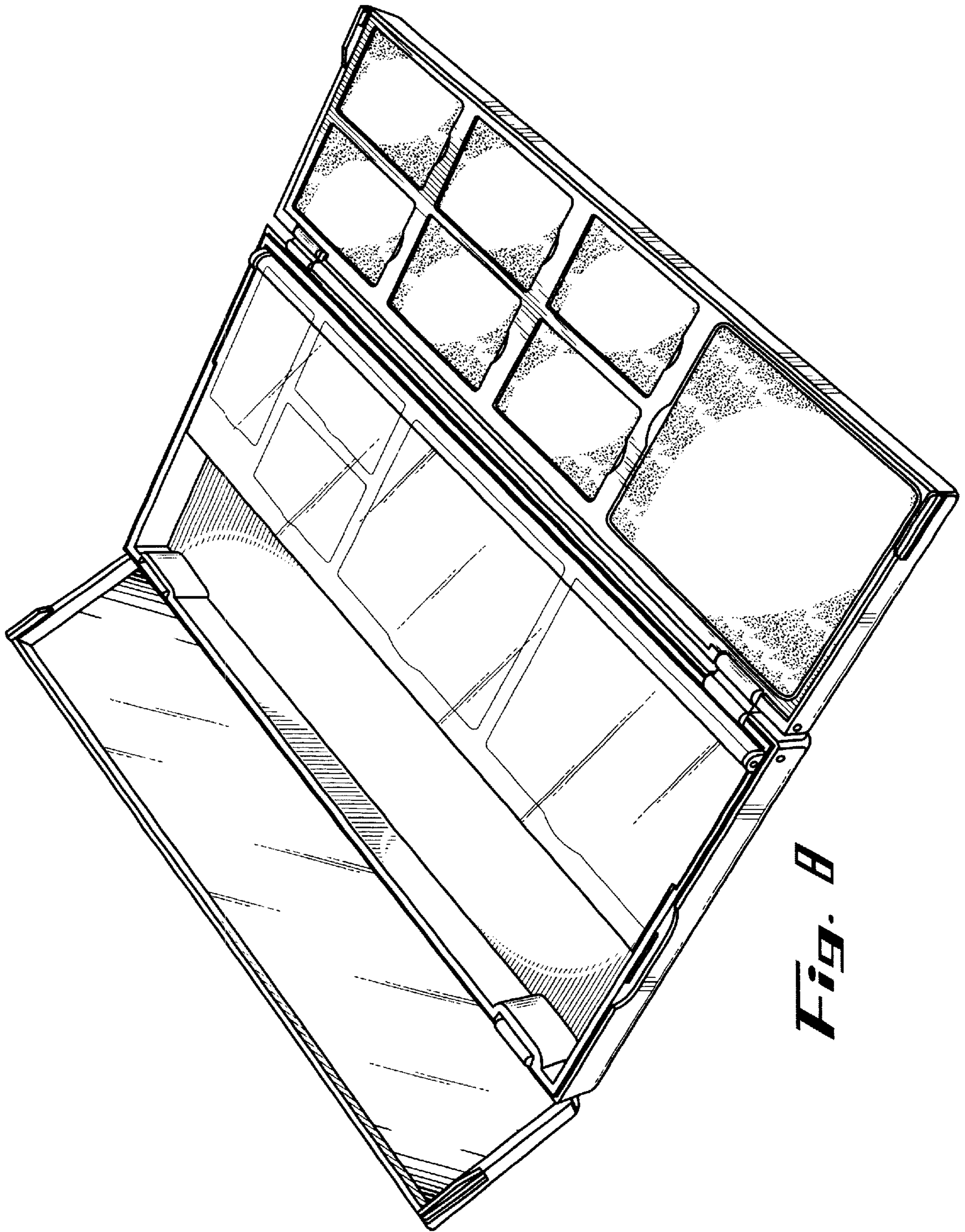


Fig. 8