



US00D476114S

(12) **United States Design Patent**  
**Jan**

(10) **Patent No.:** **US D476,114 S**  
(45) **Date of Patent:** **\*\* Jun. 17, 2003**

(54) **BODY FOR AN ELECTRIC RAZOR/HAIR TRIMMER**

(76) **Inventor:** **Bismarck Jan**, 5F-2, No. 96, Sec. 3, Mu-Cha Rd., Taipei (TW)

(\*\*) **Term:** **14 Years**

(21) **Appl. No.:** **29/163,936**

(22) **Filed:** **Jul. 15, 2002**

(51) **LOC (7) Cl.** ..... **28-03**

(52) **U.S. Cl.** ..... **D28/54**

(58) **Field of Search** ..... D28/49-54; 30/34.05, 30/34.1, 34.2, 41.9, 43, 43.1-43.9, 43.91, 43.92, 44, 45

(56) **References Cited**

**U.S. PATENT DOCUMENTS**

D331,817 S \* 12/1992 Ohara et al. .... D28/53

D437,974 S \* 2/2001 Yip ..... D28/51

\* cited by examiner

*Primary Examiner*—Jennifer Rivard

(74) *Attorney, Agent, or Firm*—Alan Kamrath; Rider Bennett, LLP

(57) **CLAIM**

The ornamental design for a body for an electric razor/hair trimmer, as shown as described.

**DESCRIPTION**

FIG. 1 is a perspective view of a body for an electric razor/hair trimmer, showing my new design;

FIG. 2 is a front elevational view thereof;

FIG. 3 is a rear elevational view thereof;

FIG. 4 is a left elevational view thereof;

FIG. 5 is a right elevational view thereof;

FIG. 6 is top plan view thereof;

FIG. 7 is a bottom plan view thereof;

FIG. 8 is a perspective view of the claimed design, wherein a hair trimmer head is attached to the top of the claimed design for reference;

FIG. 9 is a perspective view of the claimed design, wherein a hair trimmer with a cutting gauge is attached to the top of the claimed design for reference;

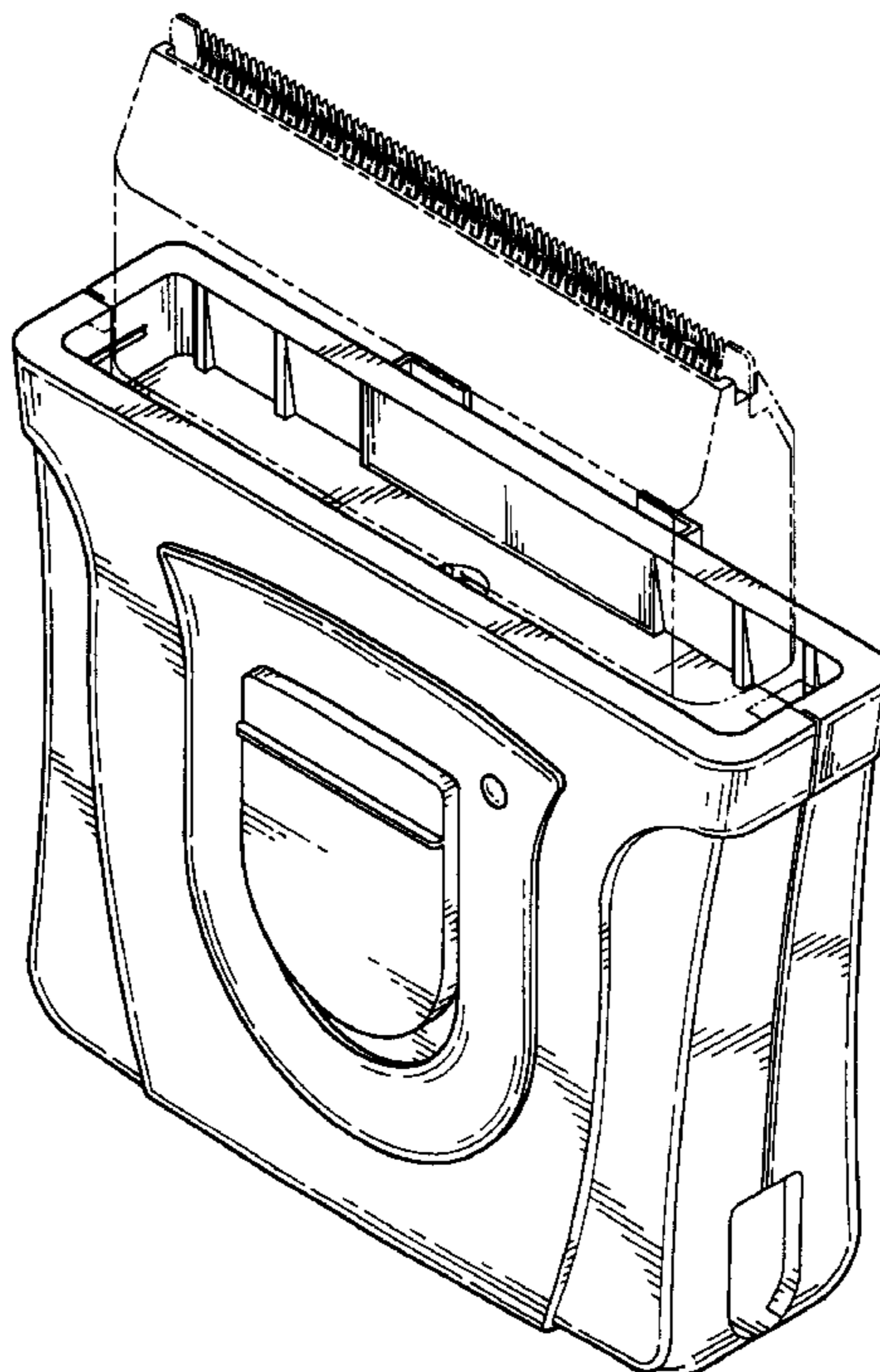
FIG. 10 is a perspective view of the claimed design, wherein a hair trimmer with a cutting gauge is attached to the top of the claimed design for reference;

FIG. 11 is a perspective view of the claimed design, wherein a hair trimmer with a cutting gauge is attached to the top of the claimed design for reference; and,

FIG. 12 is a perspective view of the claimed design, wherein a razor head and cover are attached to the top of the claimed design for reference.

The broken line environmental showing is for illustrative purposes only and forms no part of the claimed design.

**1 Claim, 11 Drawing Sheets**



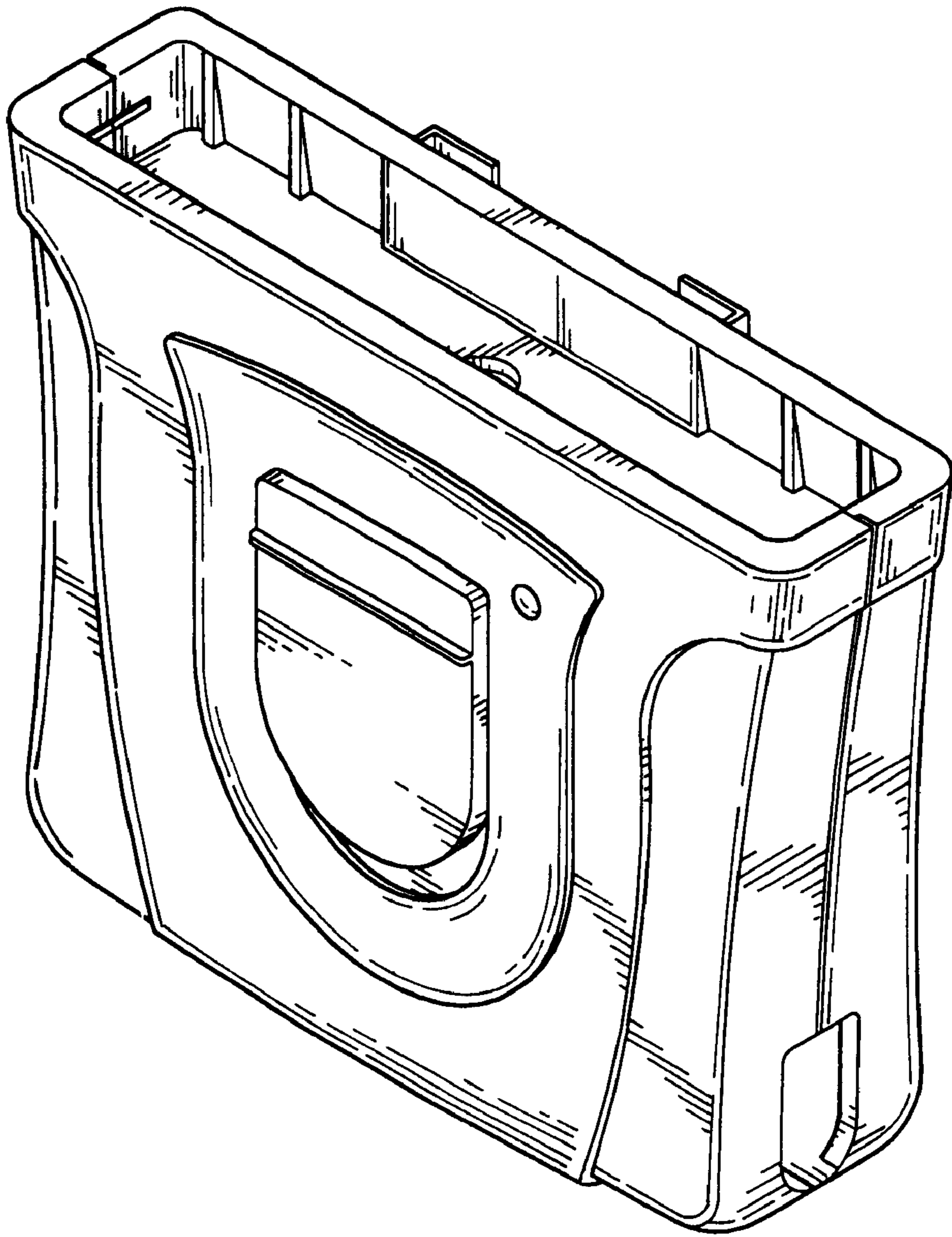


FIG. 1

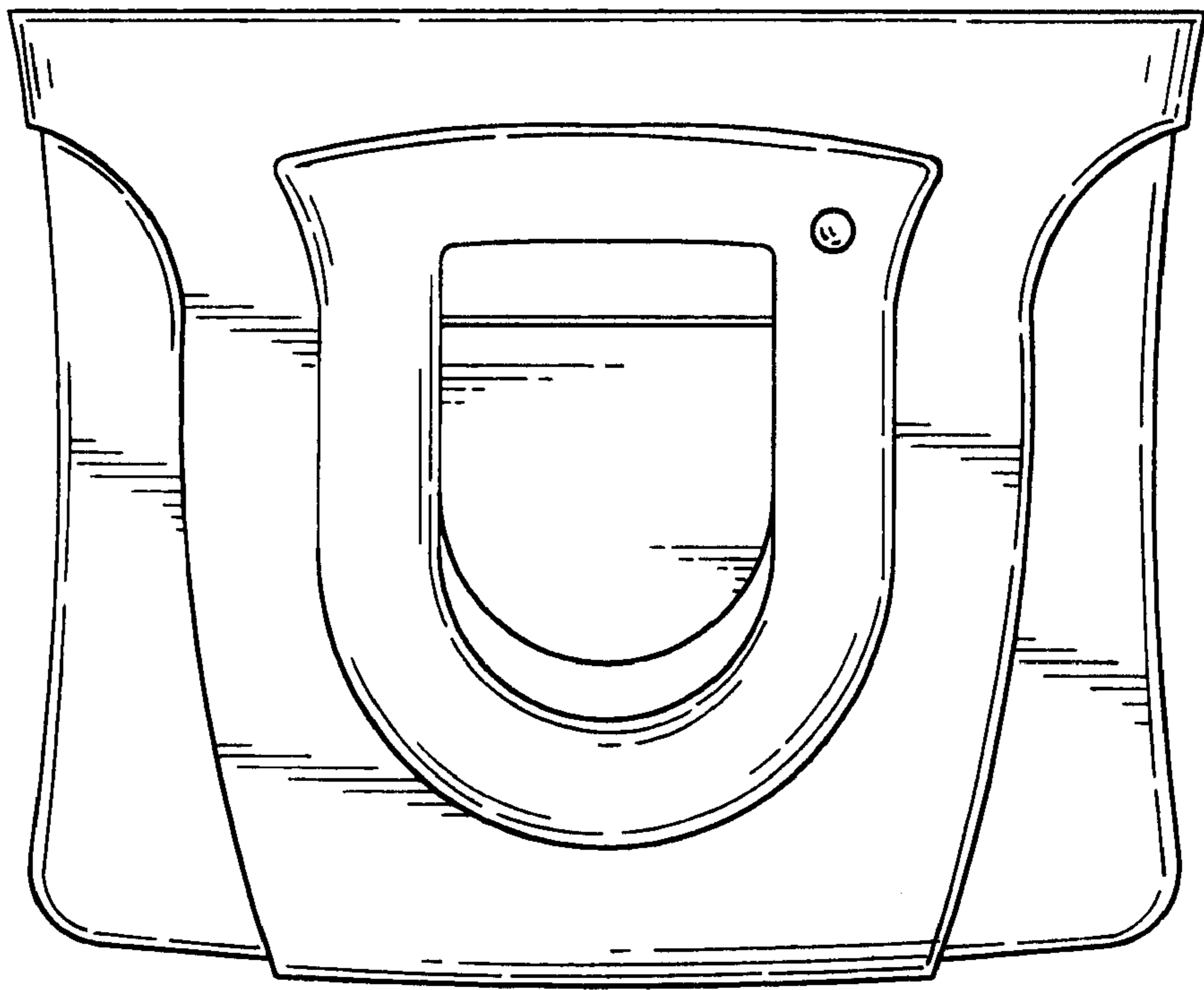


FIG. 2

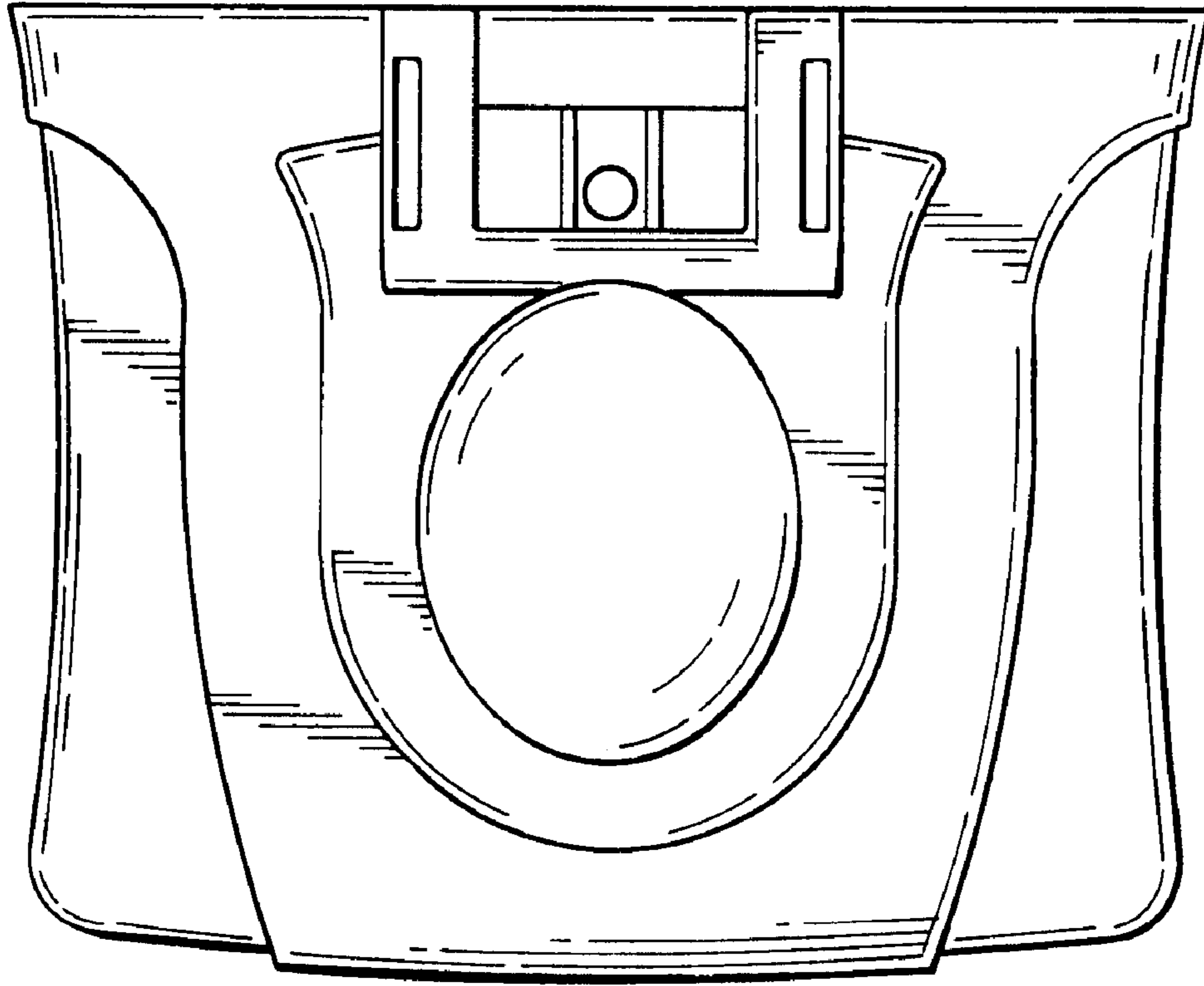


FIG. 3

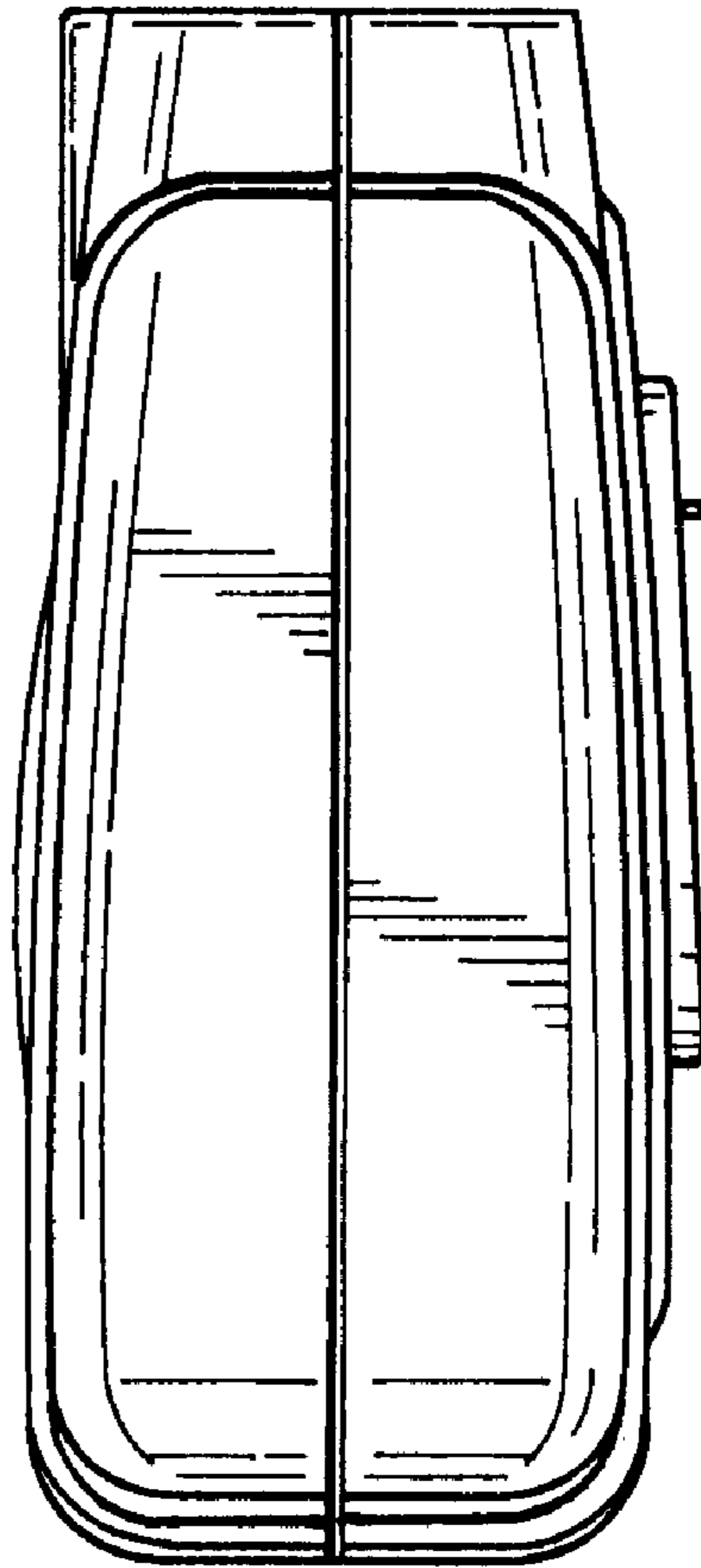


FIG. 4

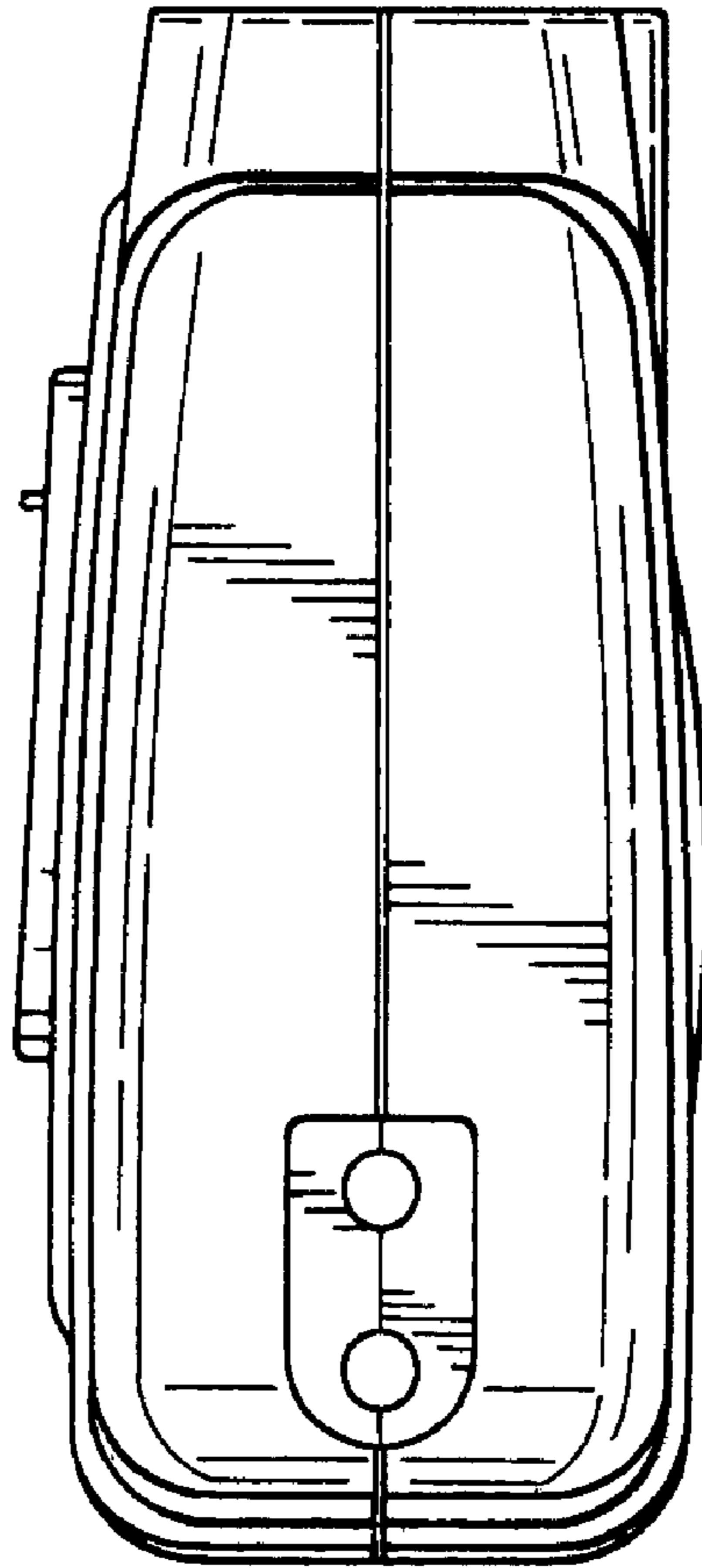


FIG. 5



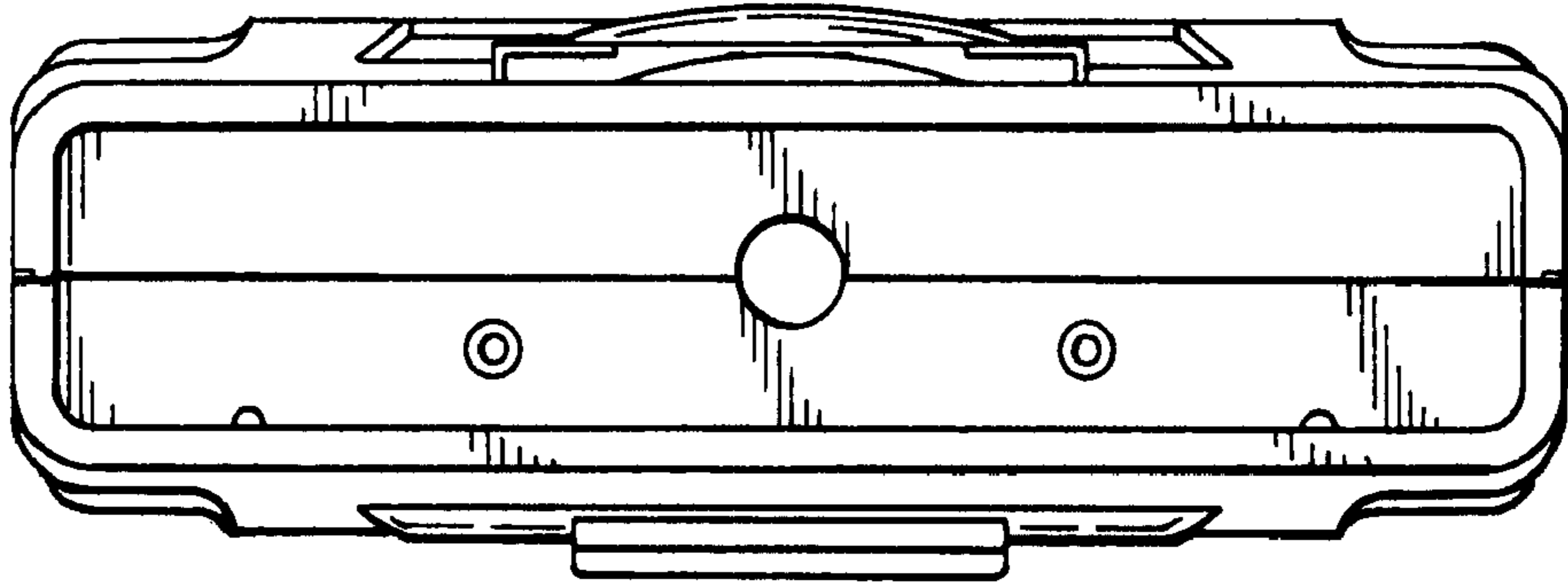


FIG. 6

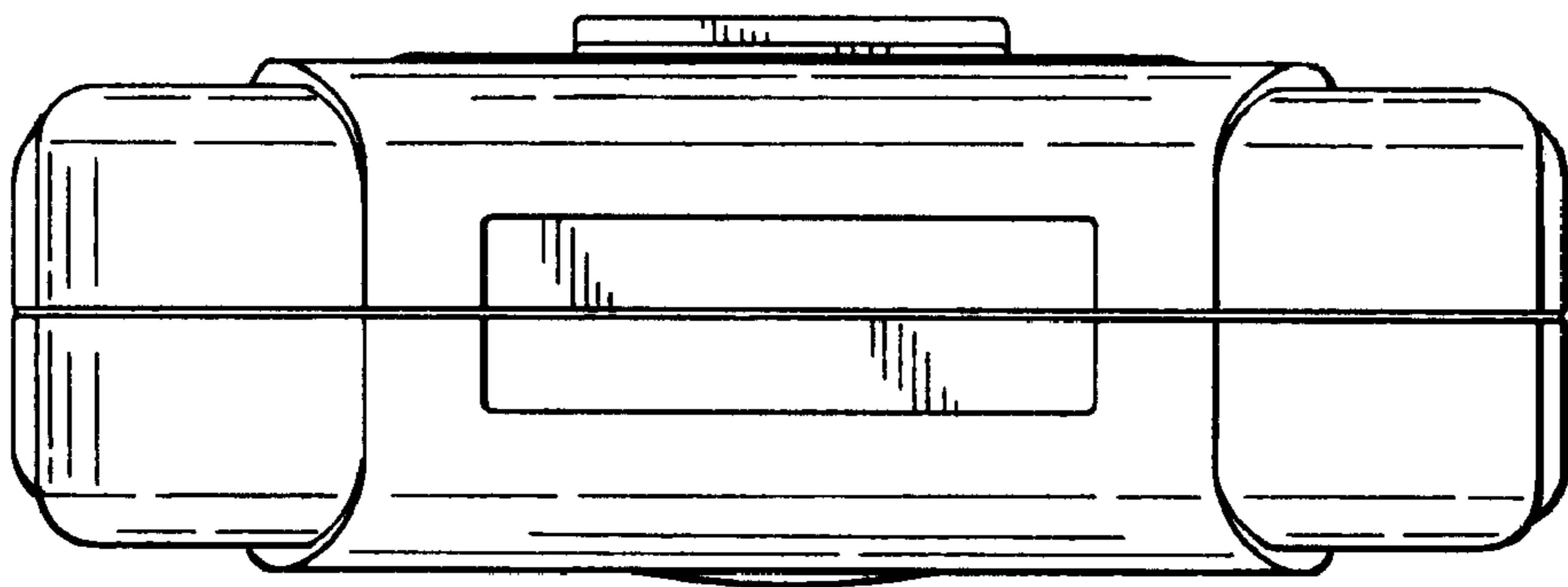


FIG. 7

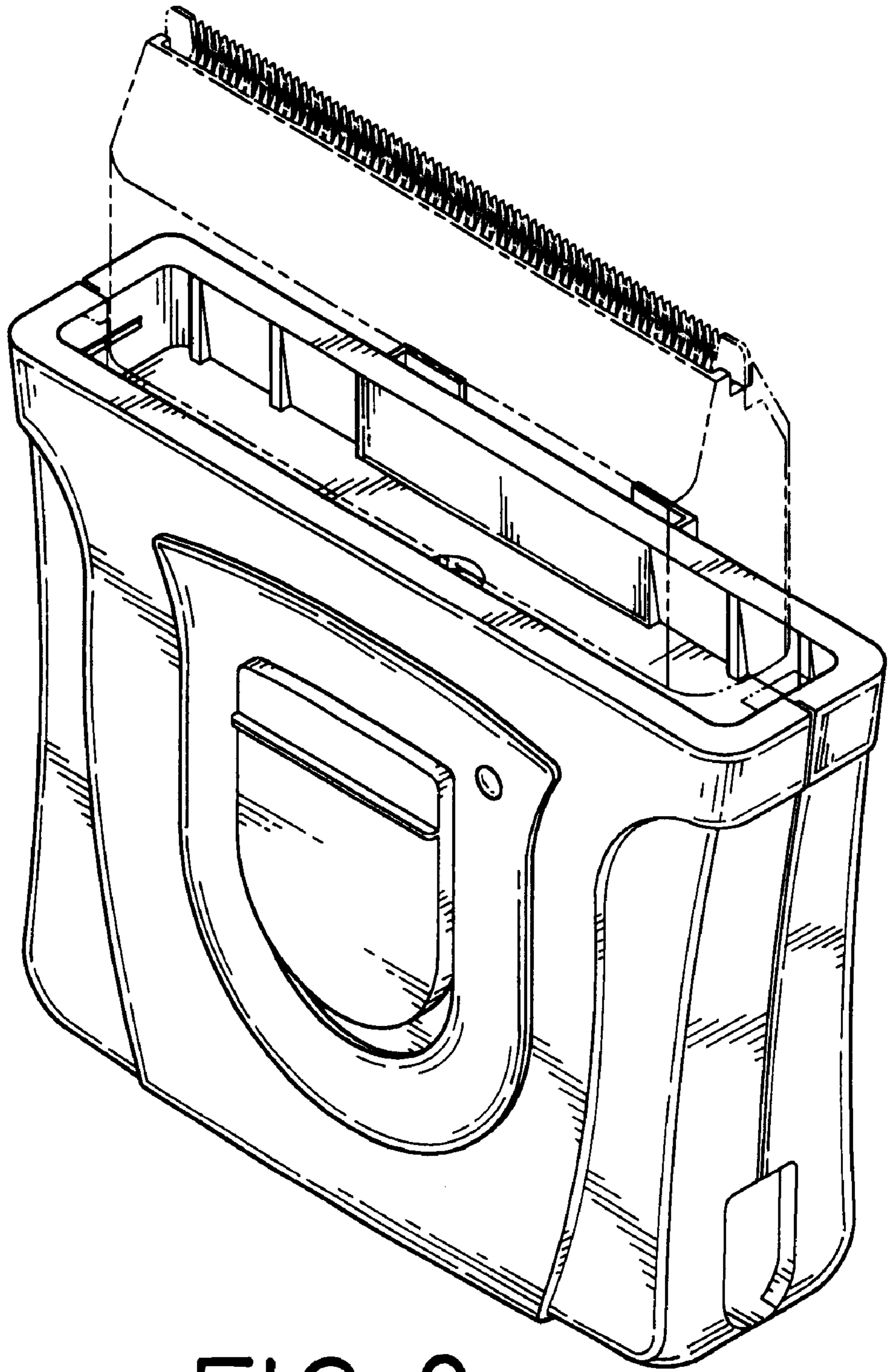


FIG. 8



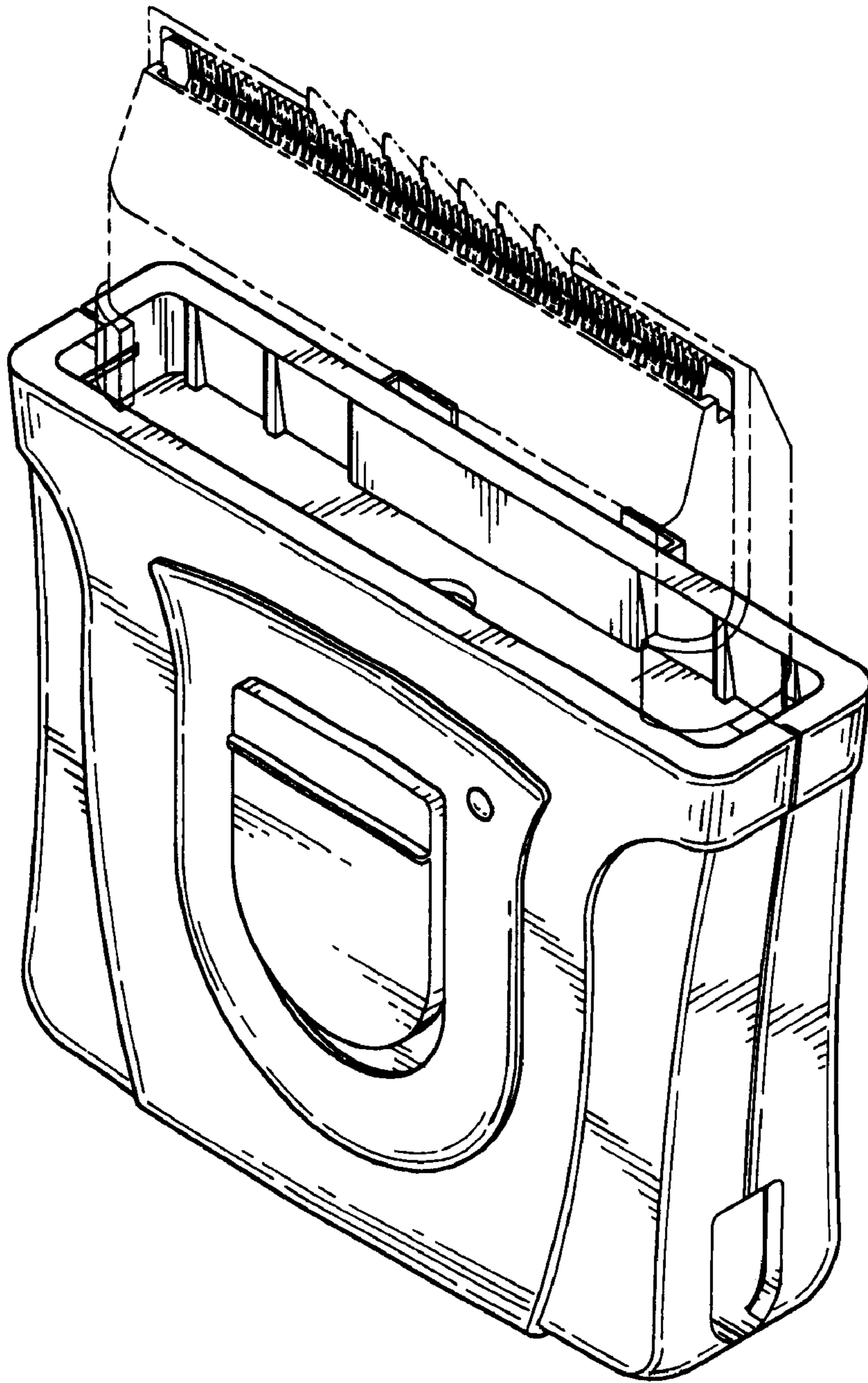


FIG. 9

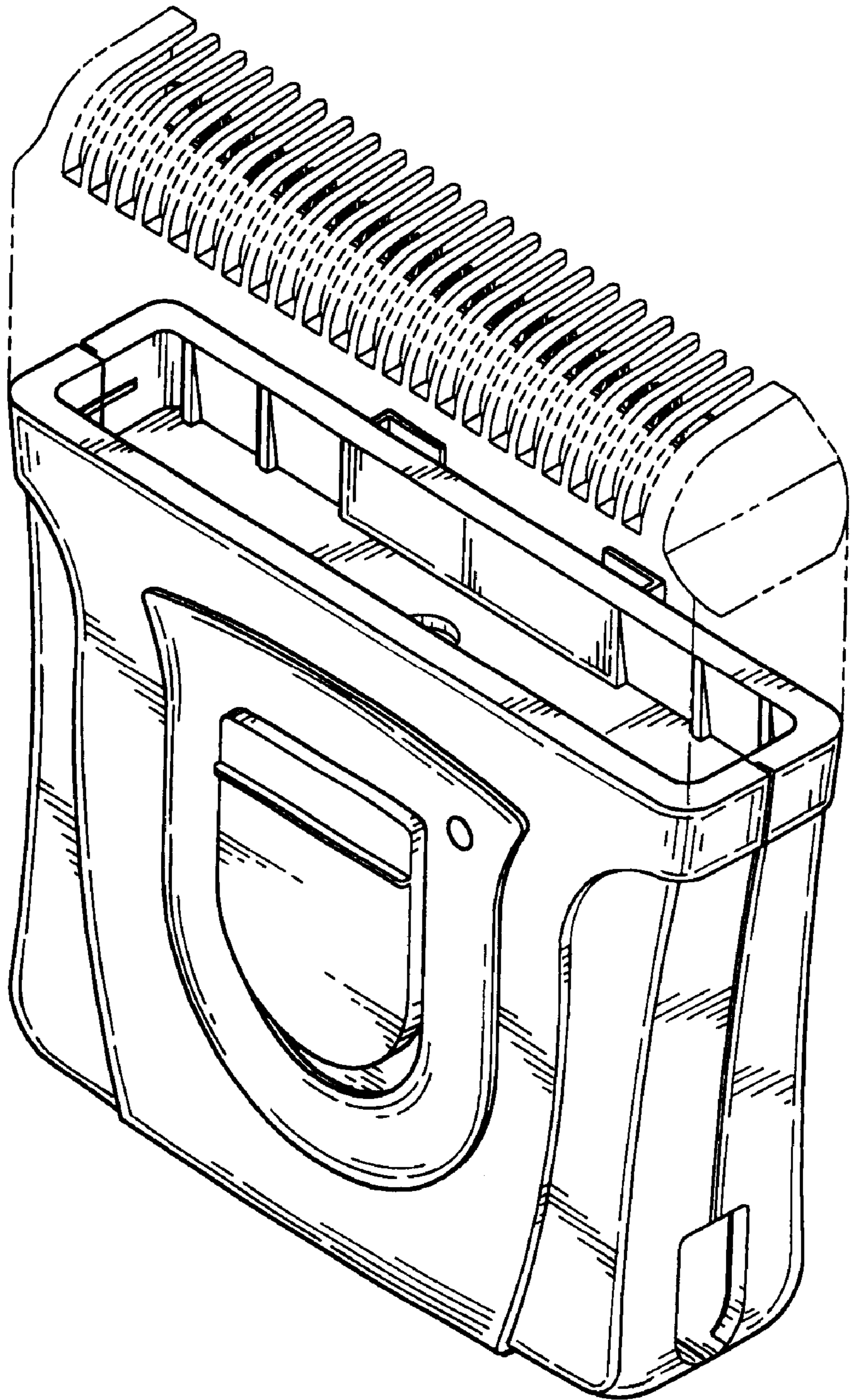


FIG. 10

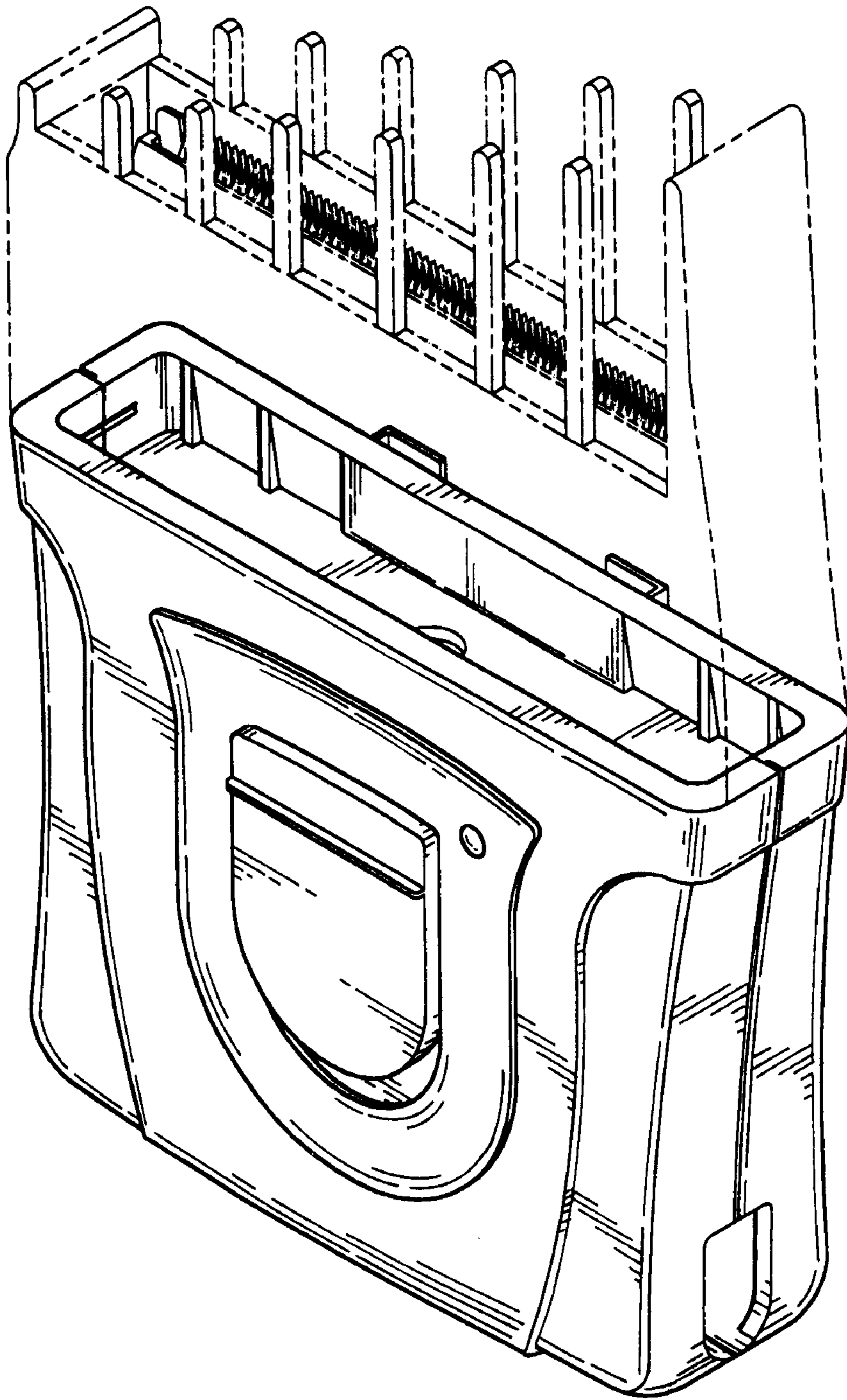


FIG. 11



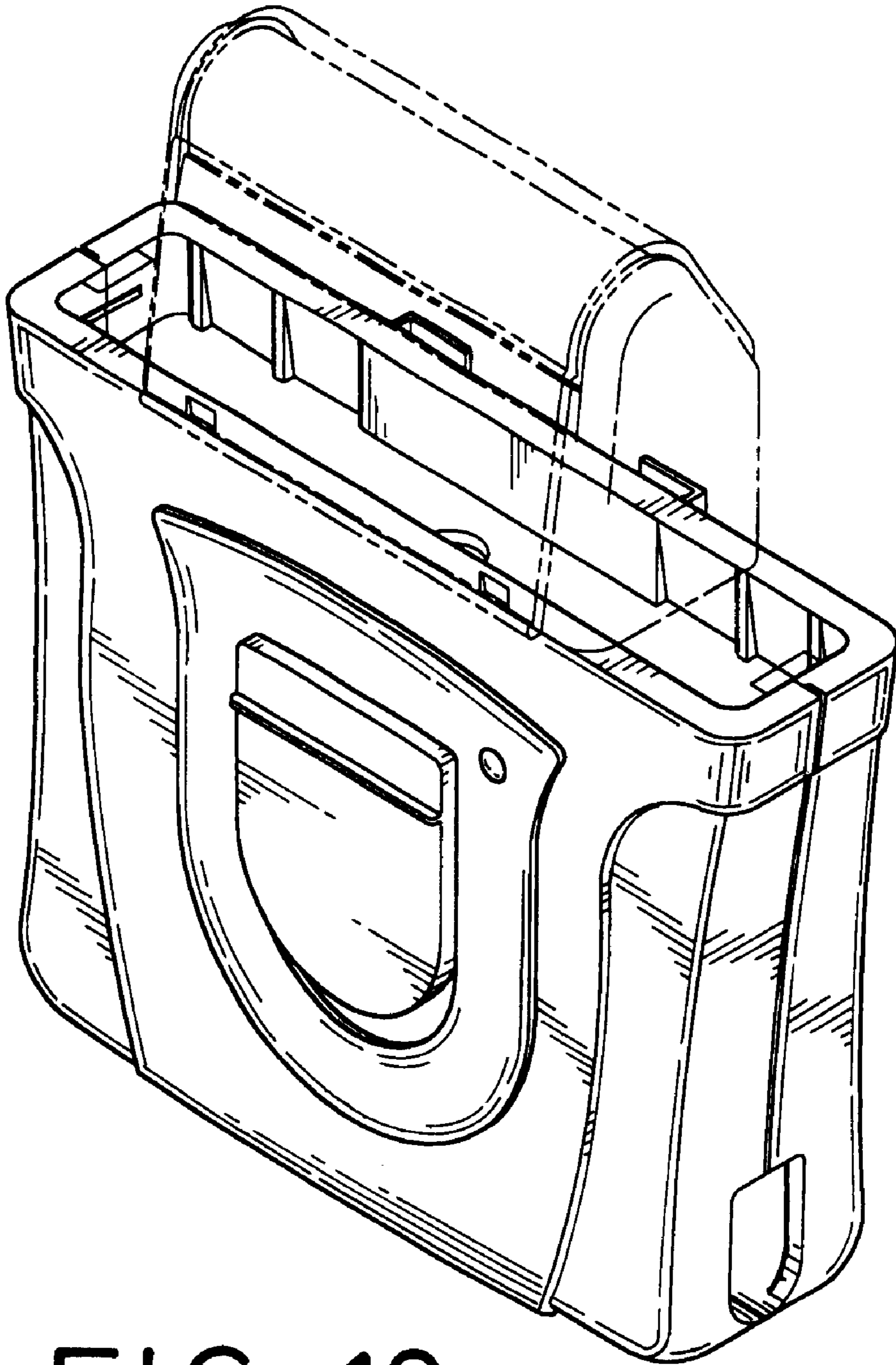


FIG. 12