



US00D476113S

(12) **United States Design Patent**
Wonderley

(10) **Patent No.:** **US D476,113 S**

(45) **Date of Patent:** **** Jun. 17, 2003**

- (54) **MAN'S RAZOR**
- (75) Inventor: **Jeffrey W. Wonderley**, Ft. Defiance, VA (US)
- (73) Assignee: **American Safety Razor Company**, Verona, VA (US)
- (**) Term: **14 Years**
- (21) Appl. No.: **29/158,746**
- (22) Filed: **Apr. 10, 2002**

D422,117 S	3/2000	Motta	D28/48
D425,251 S	5/2000	Gray	D28/48
D439,015 S	3/2001	Wonderley	D28/48
D452,348 S	* 12/2001	Wonderley	D28/48

* cited by examiner

Primary Examiner—Ted Shooman

Assistant Examiner—C. Tuttle

(74) *Attorney, Agent, or Firm*—McDermott, Will & Emery

(57) **CLAIM**

The ornamental design for a man's razor, as shown and described.

Related U.S. Application Data

- (62) Division of application No. 29/131,544, filed on Oct. 25, 2000, now Pat. No. Des. 458,709.
- (51) **LOC (7) Cl.** **28-03**
- (52) **U.S. Cl.** **D28/48**
- (58) **Field of Search** D28/44-48; 30/32, 30/47-51, 526, 527, 532, 533

DESCRIPTION

FIG. 1 is a perspective view of the man's razor design of the invention.

FIG. 2 is a top view of the man's razor design shown in FIG. 1.

FIG. 3 is a bottom view of the man's razor design shown in FIG. 1.

FIG. 4 is a side view of the man's razor design shown in FIG. 1.

FIG. 5 is a front view of the man's razor design shown in FIG. 1; and,

FIG. 6 is a back view of the man's razor design shown in FIG. 1.

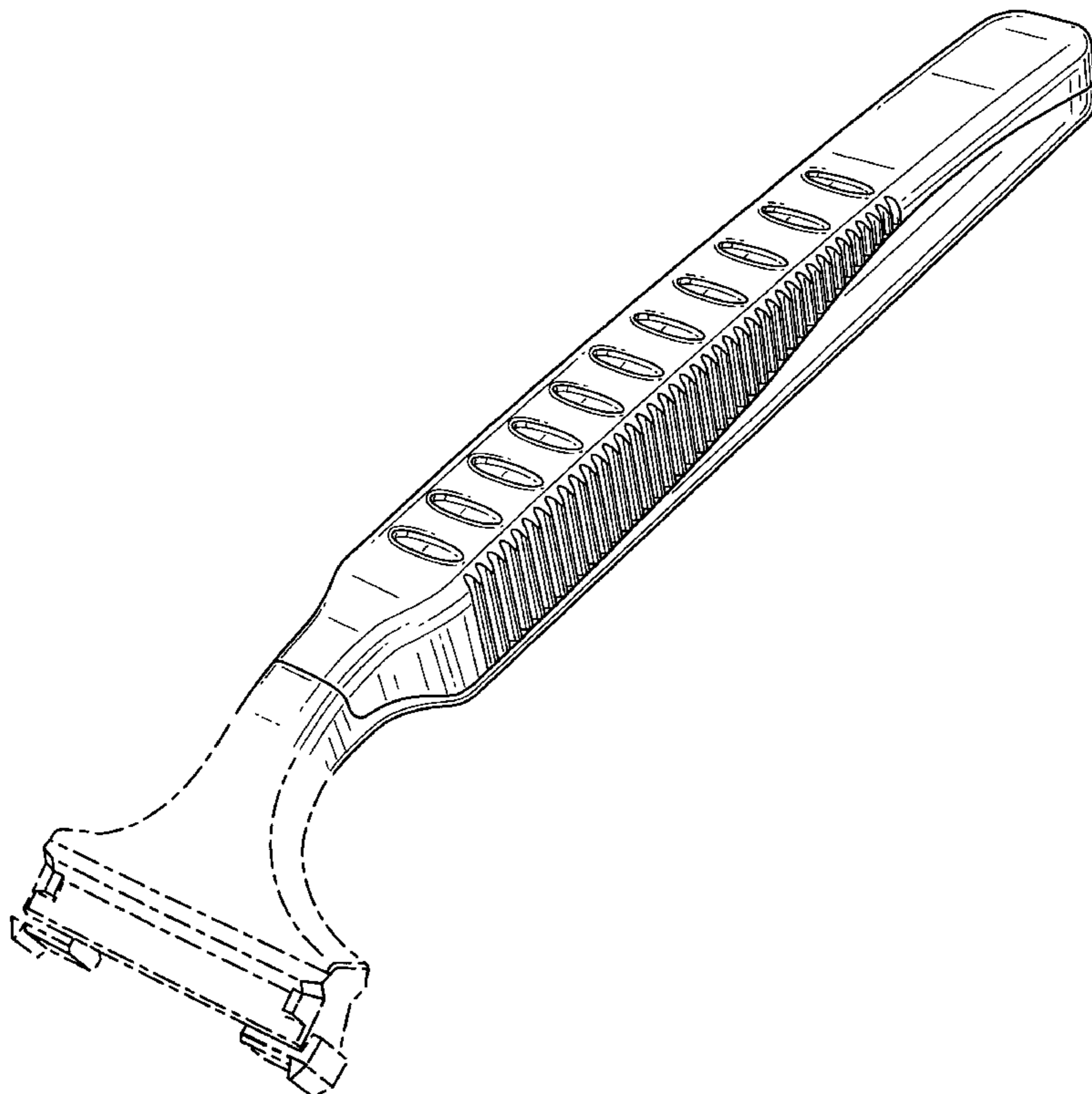
The broken line portions of the disclosure are for illustrative purposes only and form no part of the claimed design.

(56) **References Cited**

U.S. PATENT DOCUMENTS

D229,249 S	11/1973	Castelli	D28/48
D257,793 S	1/1981	Gray	D28/48
D259,065 S	4/1981	Byrne	D28/46
D260,303 S	8/1981	Wordtmann	D28/46
D269,915 S	7/1983	Iten et al.	D28/46
D366,728 S	1/1996	Ryu	D28/48
D414,898 S	10/1999	Grange	D28/48

1 Claim, 5 Drawing Sheets



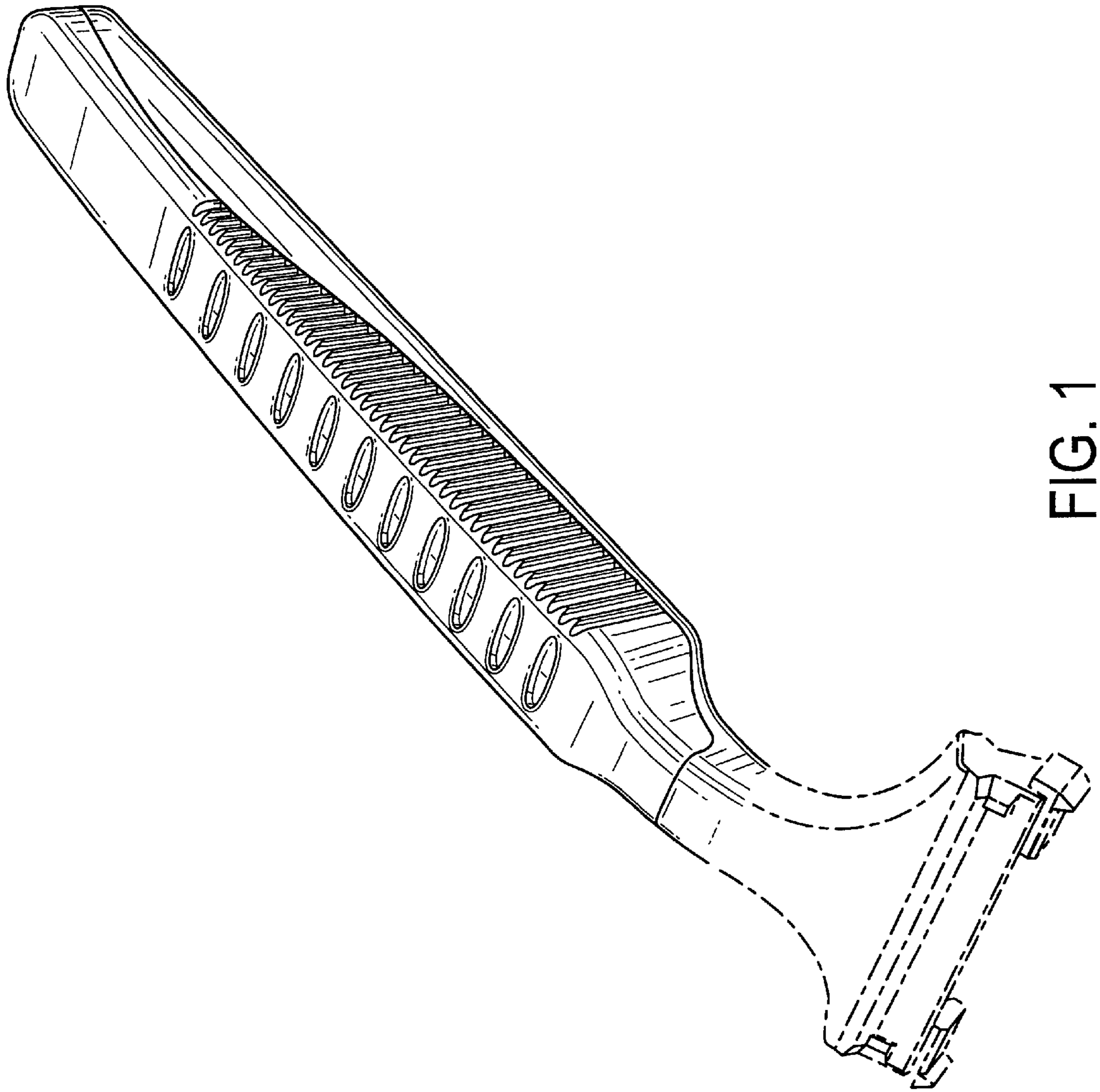


FIG. 1

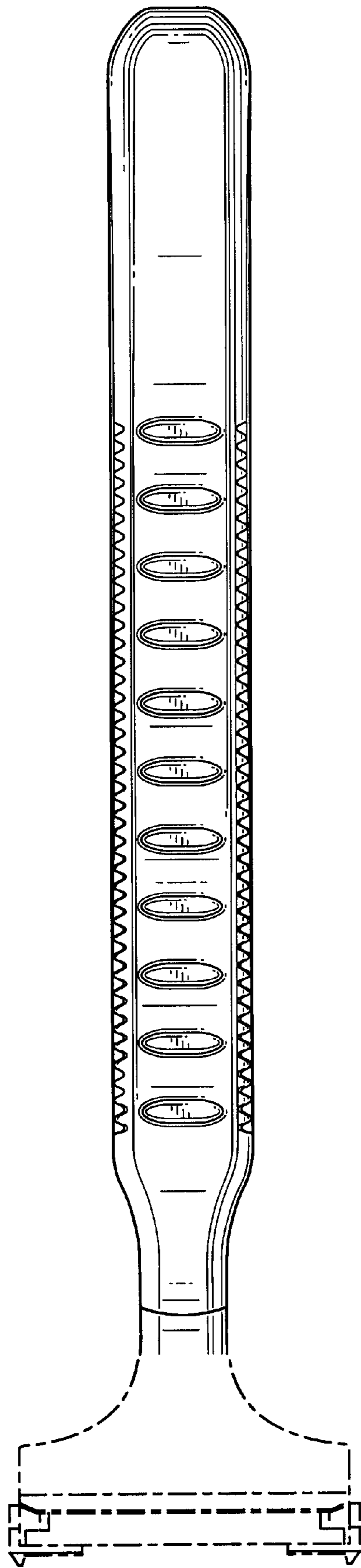


FIG. 2

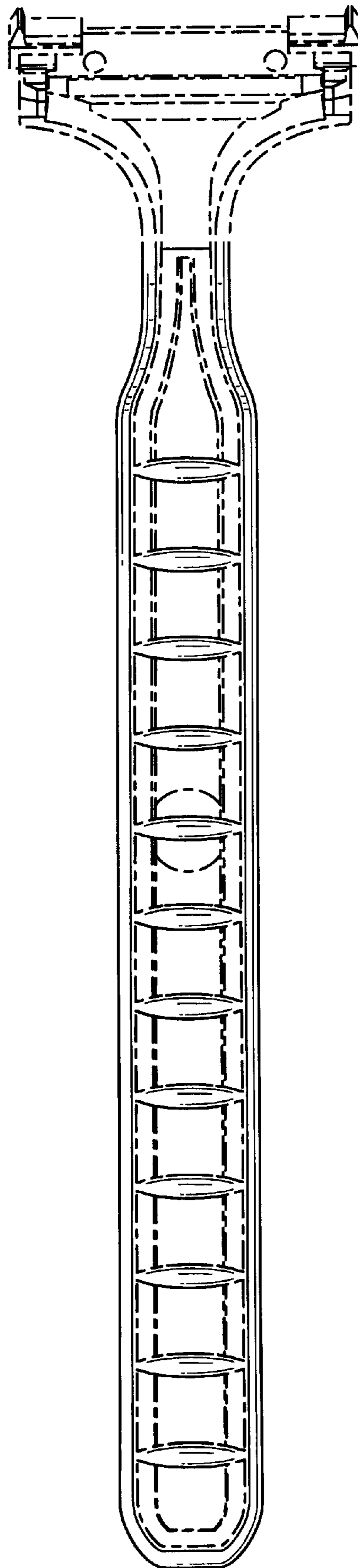


FIG. 3

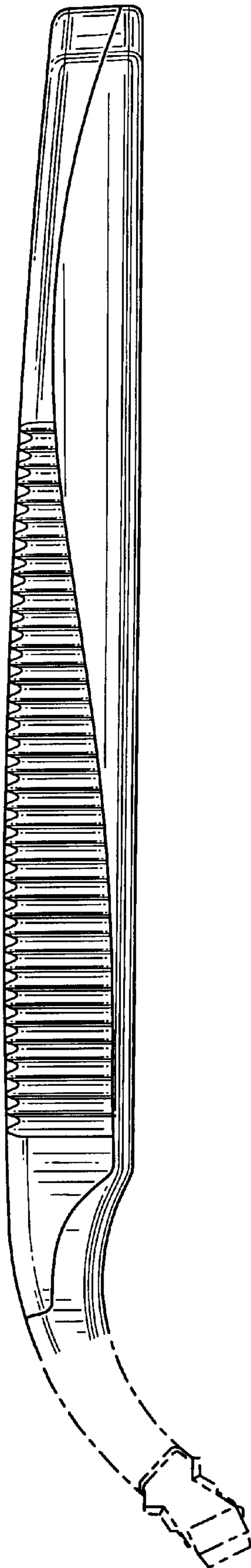


FIG. 4

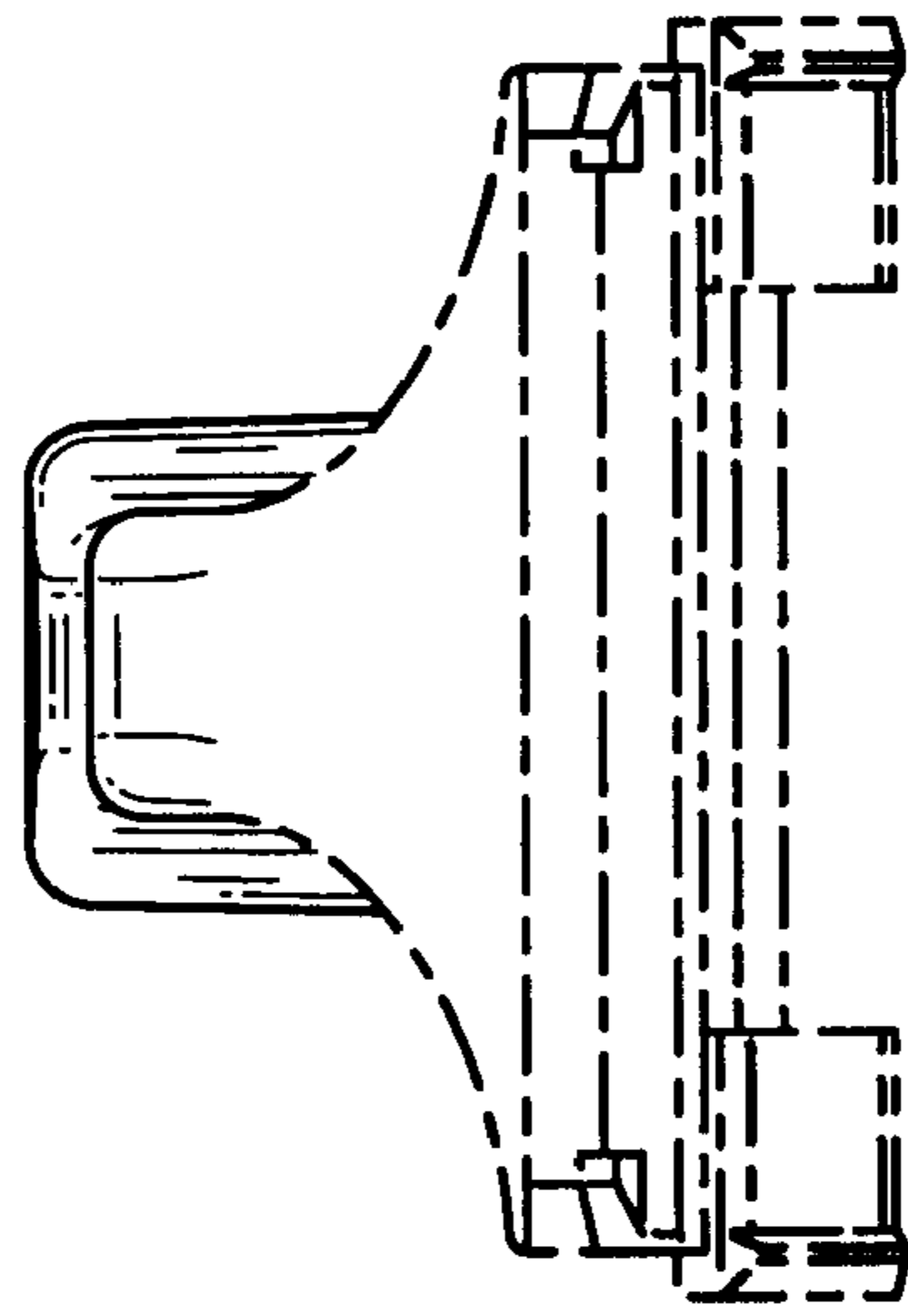


FIG. 5

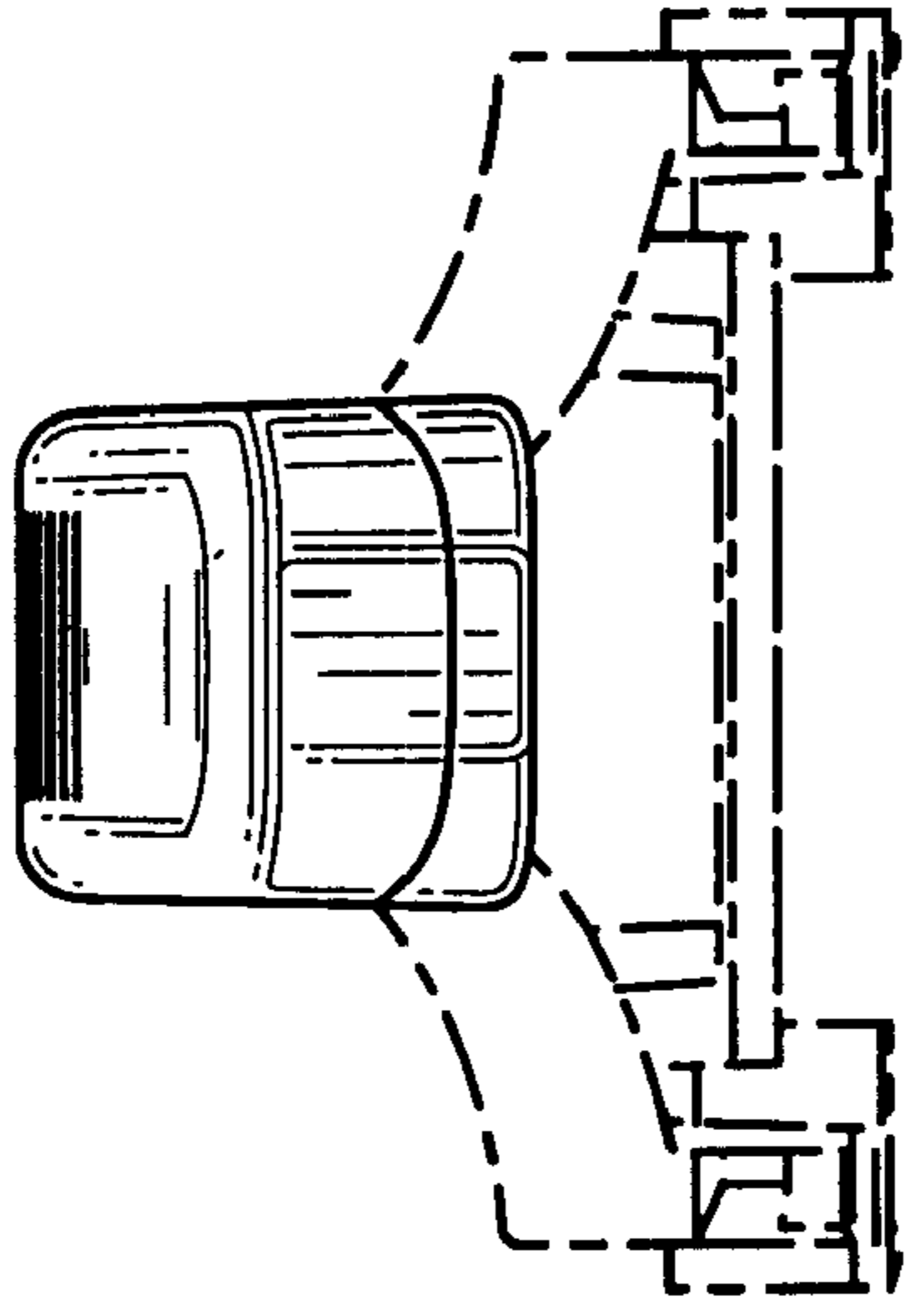


FIG. 6