



US00D476108S

(12) **United States Design Patent**  
**Lecluze**

(10) **Patent No.: US D476,108 S**

(45) **Date of Patent: \*\* \*Jun. 17, 2003**

(54) **LIGHT FIXTURE**

(75) Inventor: **Michel Lecluze, St-Jean-Chrysostome (CA)**

(73) Assignee: **Éclairage Contraste, St-Jean-Chrysostome (CA)**

(\* ) Notice: This patent is subject to a terminal disclaimer.

(\*\*) Term: **14 Years**

(21) Appl. No.: **29/163,676**

(22) Filed: **Jul. 10, 2002**

(30) **Foreign Application Priority Data**

Jan. 15, 2002 (CA) ..... 2002-0121

(51) **LOC (7) Cl. .... 26-05**

(52) **U.S. Cl. .... D26/74**

(58) **Field of Search .... D26/67, 72, 74, D26/80-92, 118, 138, 142, 152; 362/147, 362, 364, 365, 367, 368, 374, 375, 432, 404-408**

(56) **References Cited**

**U.S. PATENT DOCUMENTS**

- 3,130,949 A \* 4/1964 Erhardt et al. .... 362/365
- 3,609,346 A \* 9/1971 Lund et al. .... 362/364
- 4,290,098 A \* 9/1981 Pierson ..... 362/485
- 4,703,406 A \* 10/1987 Elliott et al. .... 362/365
- 5,373,431 A \* 12/1994 Hayman et al. .... 362/364

- D380,852 S \* 7/1997 Lecluze ..... D26/118
- D381,111 S \* 7/1997 Lecluze ..... D26/118
- D386,277 S \* 11/1997 Lecluze ..... D26/74
- D387,466 S \* 12/1997 Lecluze ..... D26/118
- D397,472 S \* 8/1998 Lecluze ..... D26/118
- D397,490 S \* 8/1998 Lecluze ..... D26/118
- 5,957,572 A \* 9/1999 Wedekind et al. .... 362/365

\* cited by examiner

*Primary Examiner*—Alan P. Douglas  
*Assistant Examiner*—Clare E. Heflin

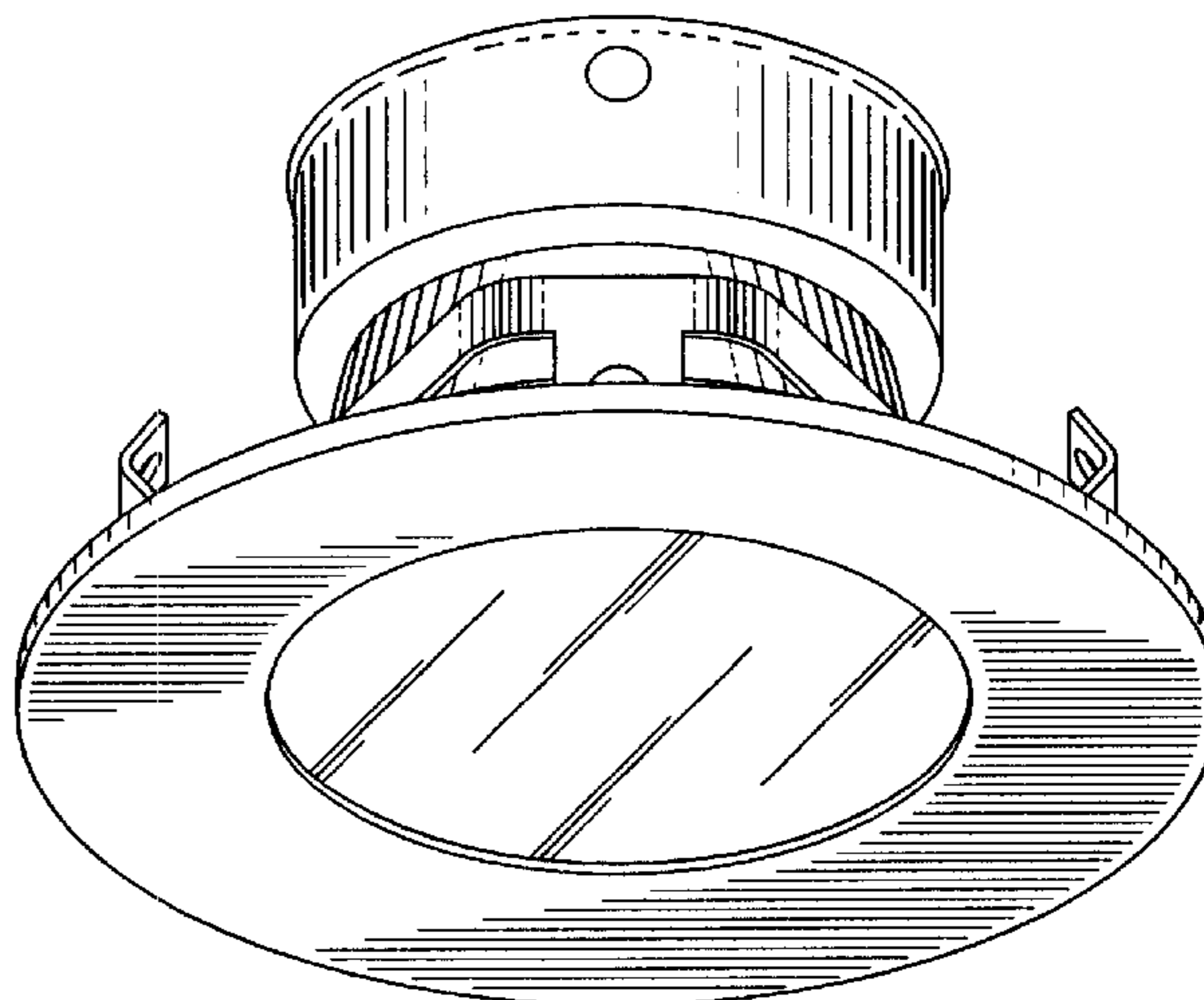
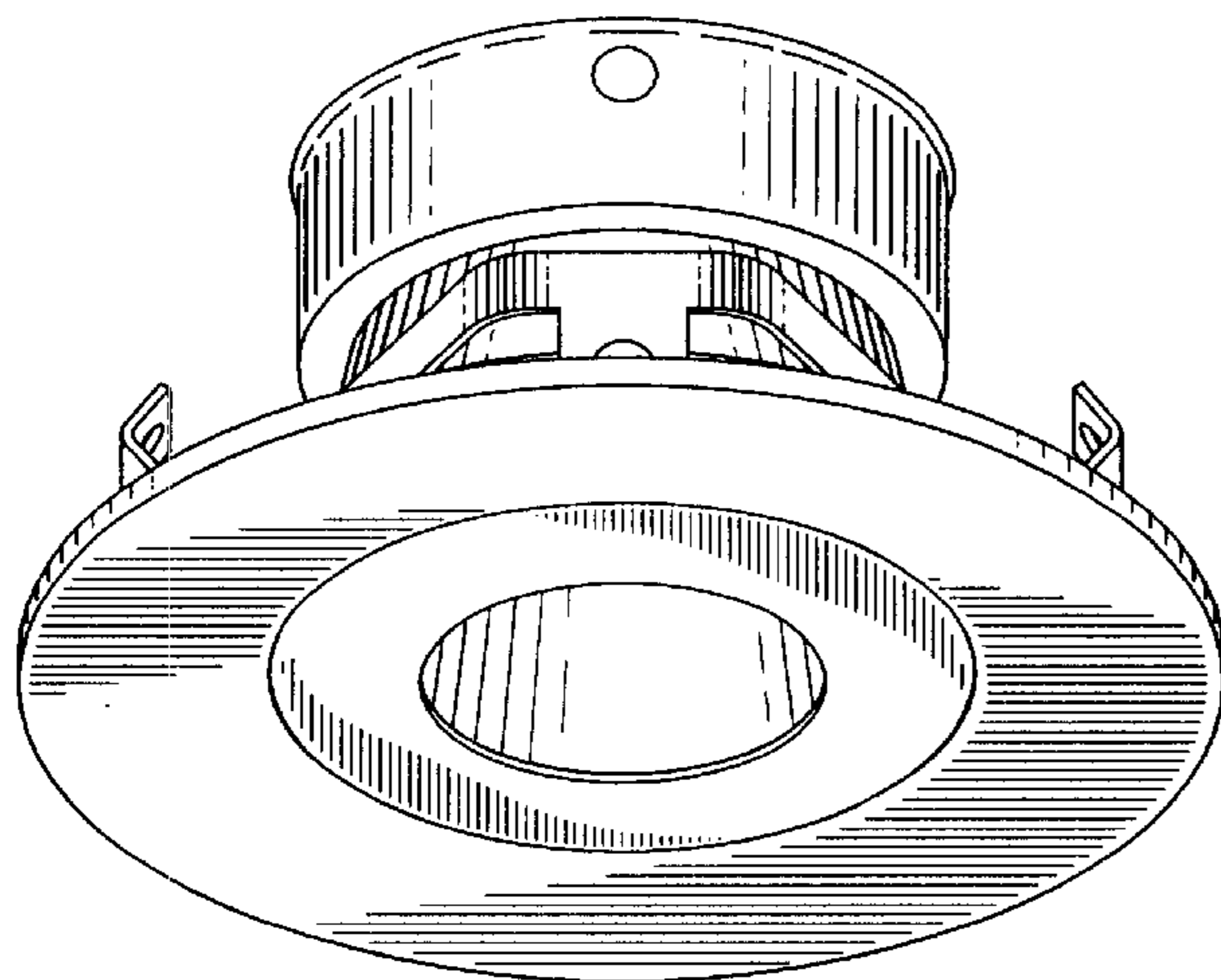
(57) **CLAIM**

The ornamental design for a light fixture, as shown and described.

**DESCRIPTION**

FIG. 1 is a perspective view of a first embodiment of a light fixture showing my new design;  
 FIG. 2 is a bottom view thereof;  
 FIG. 3 is a front view thereof;  
 FIG. 4 is a side view thereof;  
 FIG. 5 is a rear view thereof;  
 FIG. 6 is top view thereof;  
 FIG. 7 is a perspective view of a second embodiment thereof;  
 FIG. 8 is a bottom view thereof;  
 FIG. 9 is a front view thereof;  
 FIG. 10 is a side view thereof;  
 FIG. 11 is a rear view thereof; and,  
 FIG. 12 is a top view thereof.

**1 Claim, 6 Drawing Sheets**



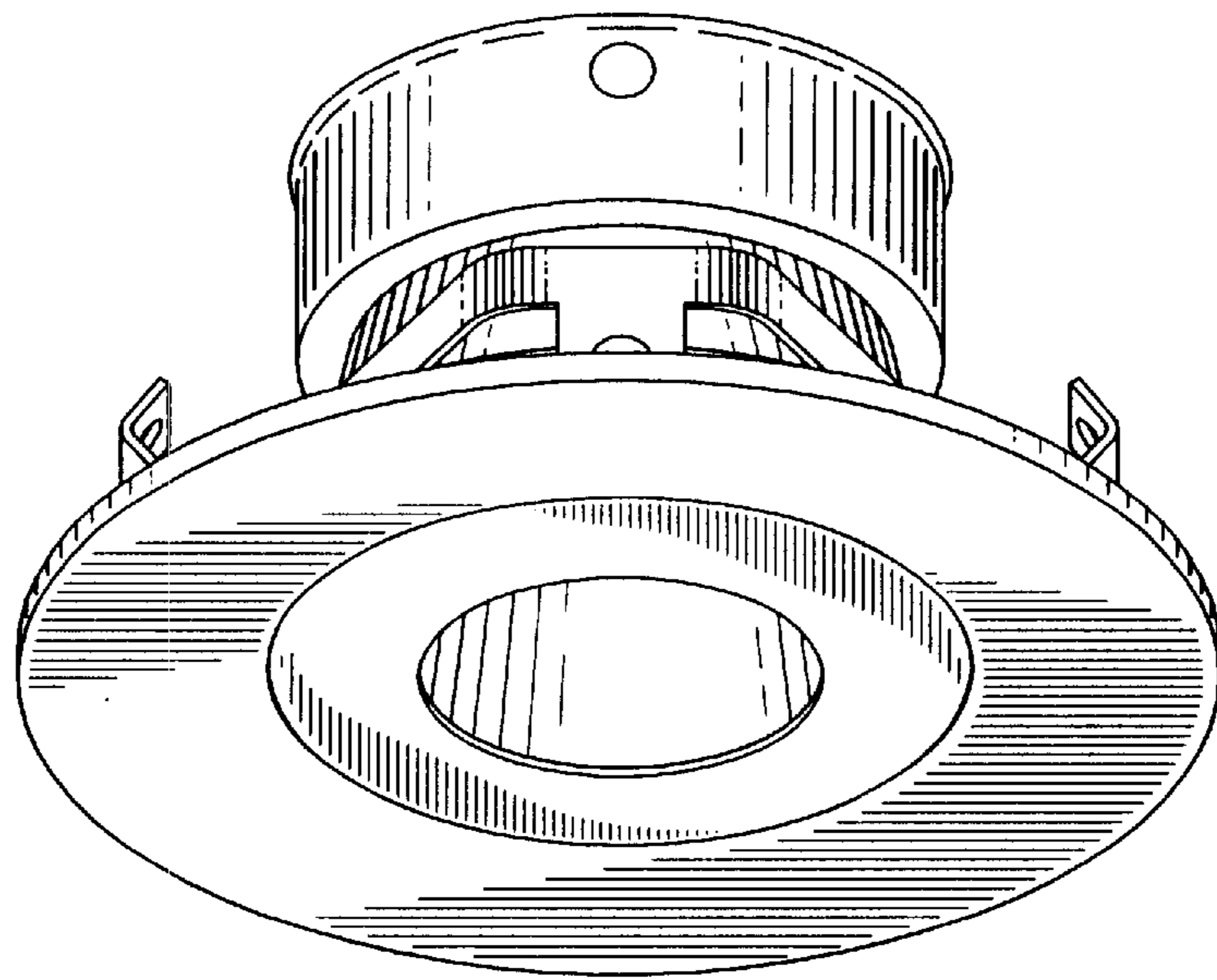


FIG. 1

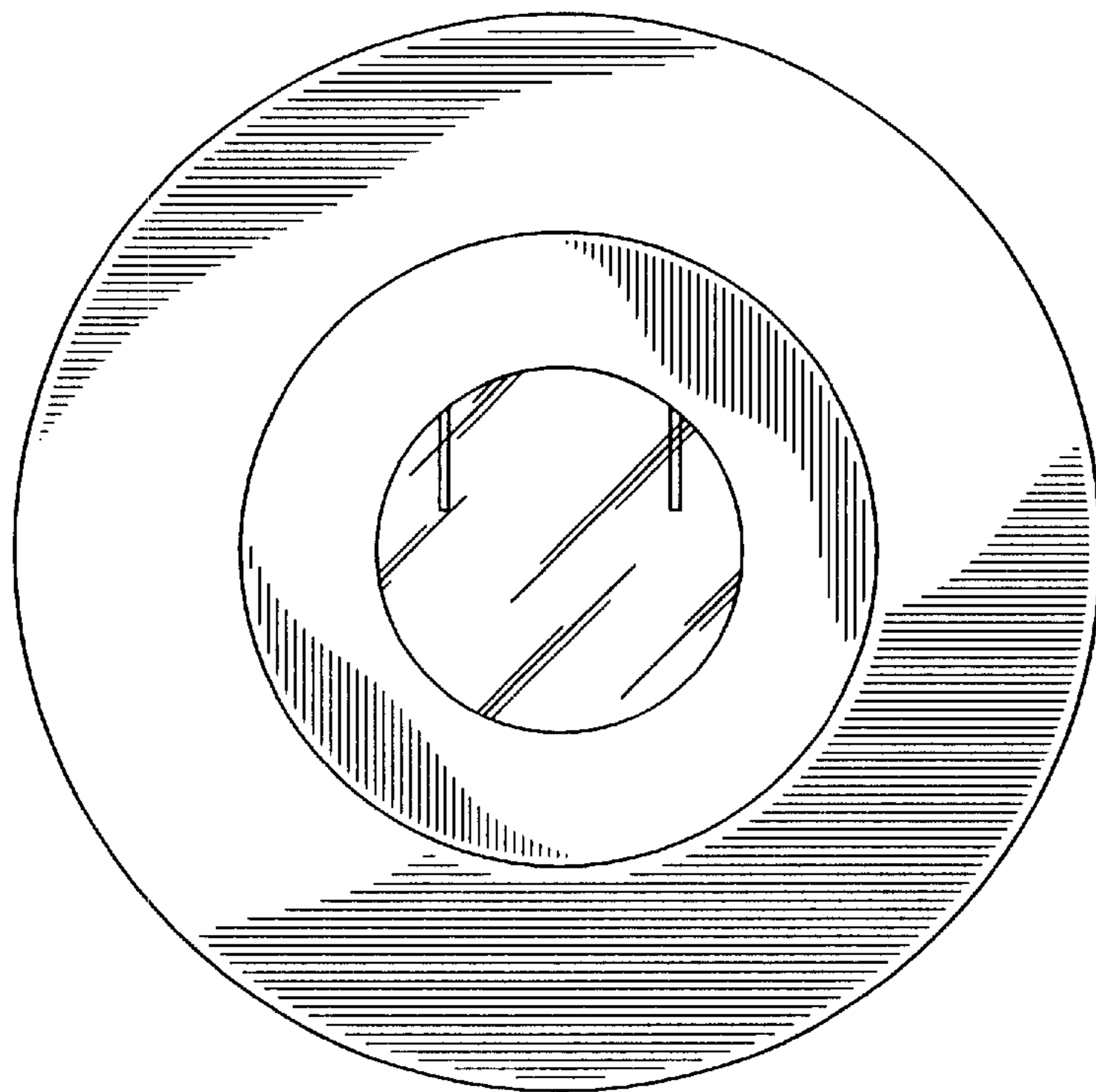


FIG. 2

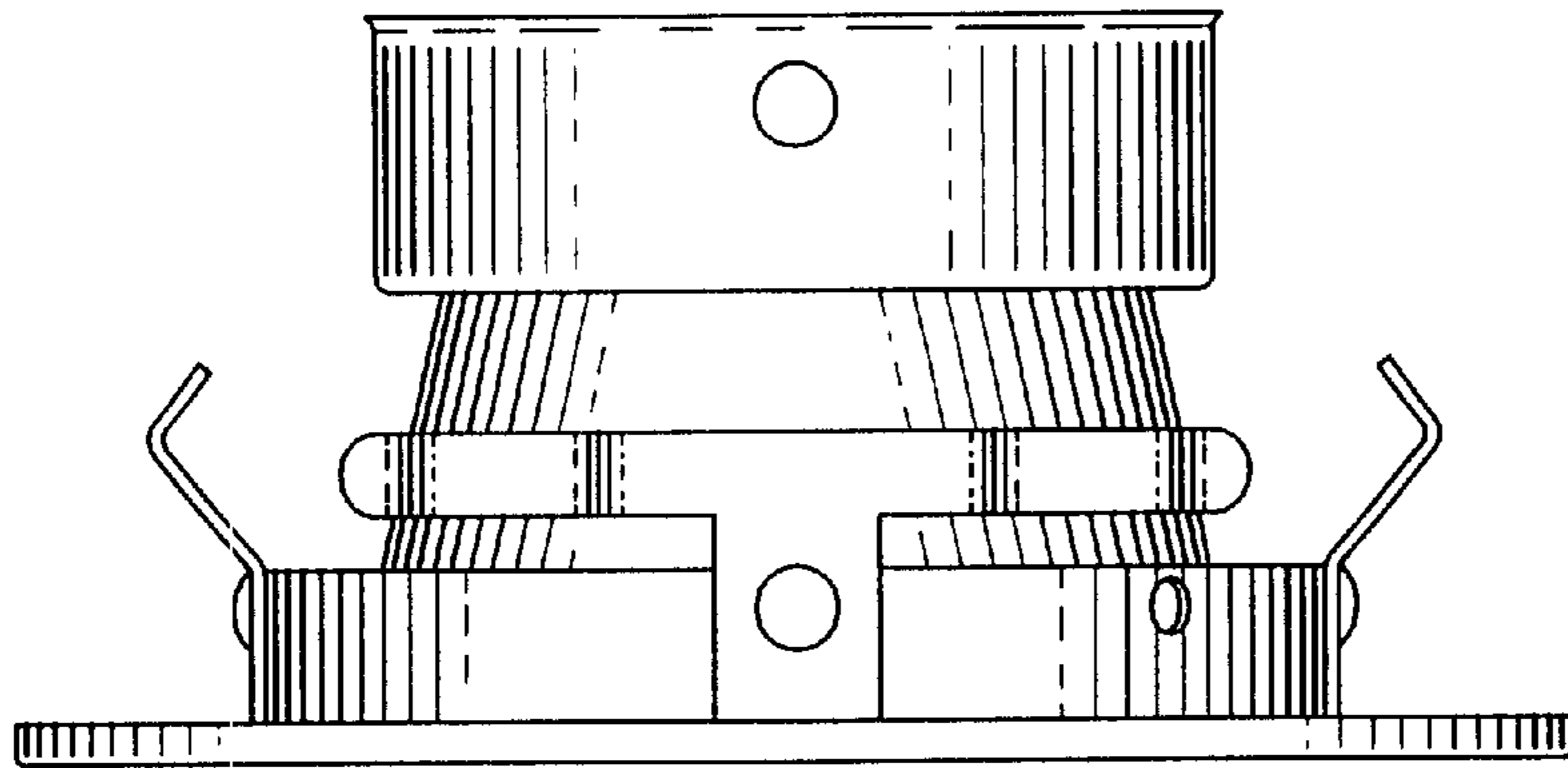


FIG. 3

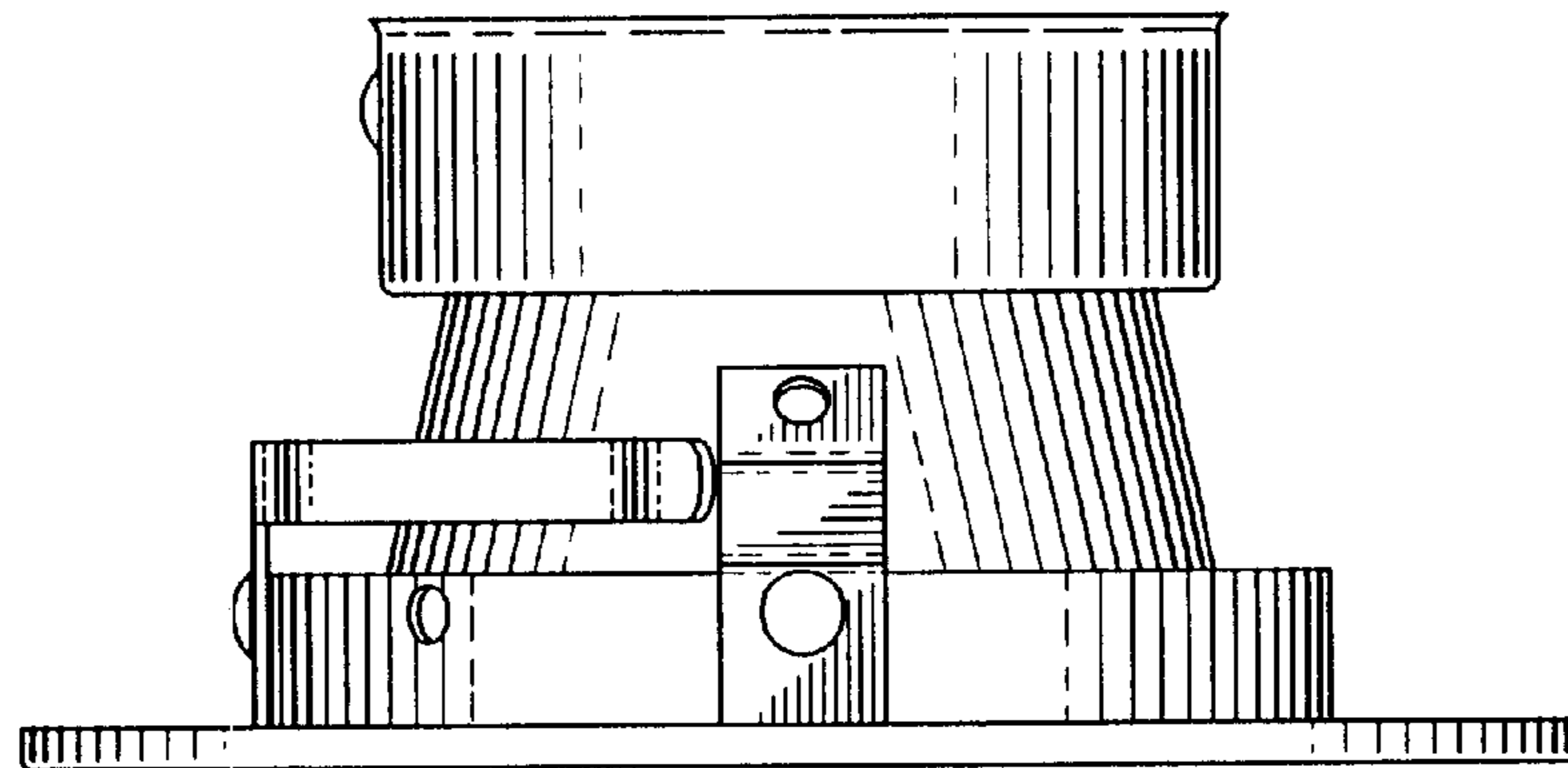


FIG. 4

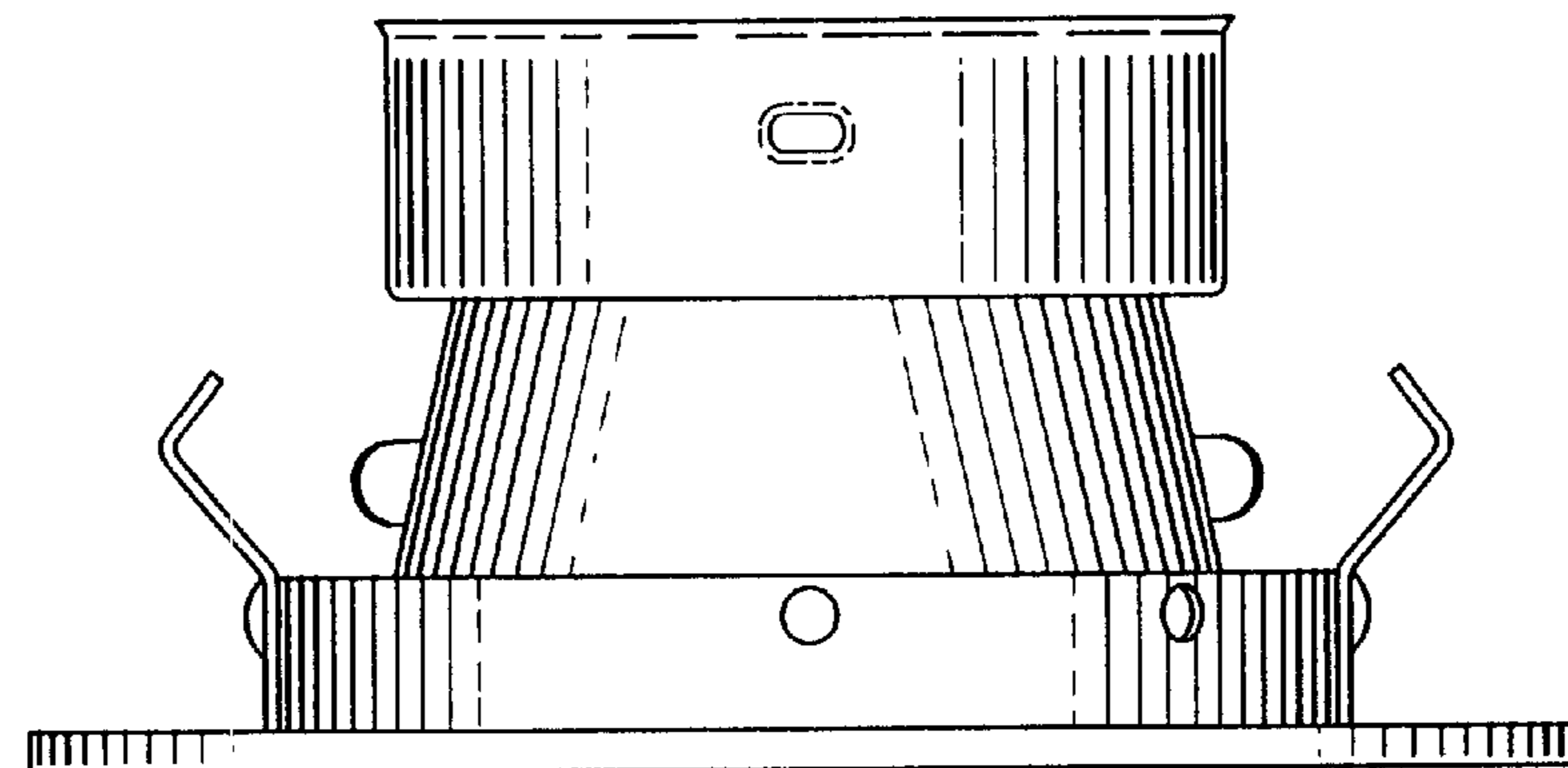


FIG. 5

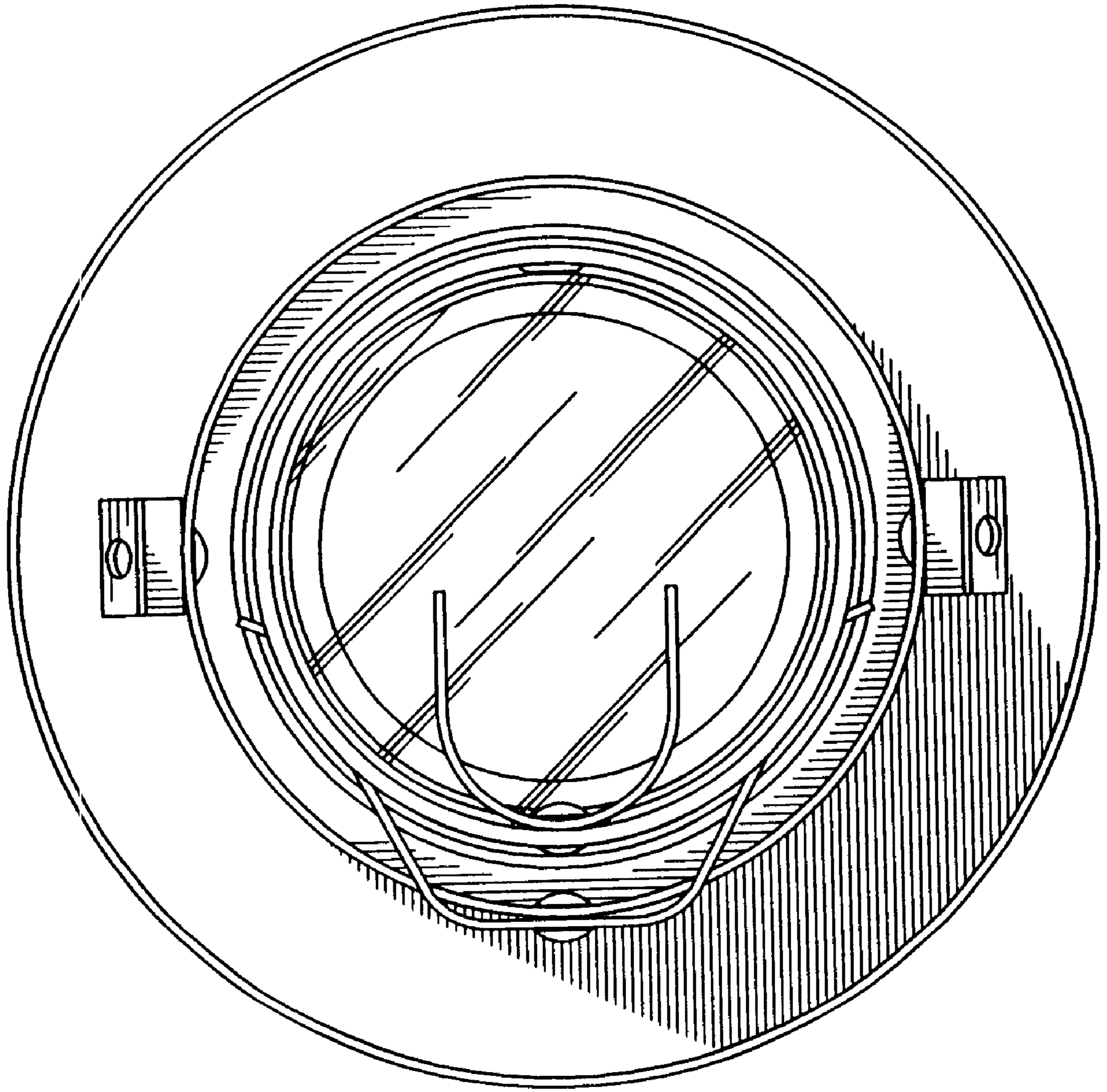


FIG. 6

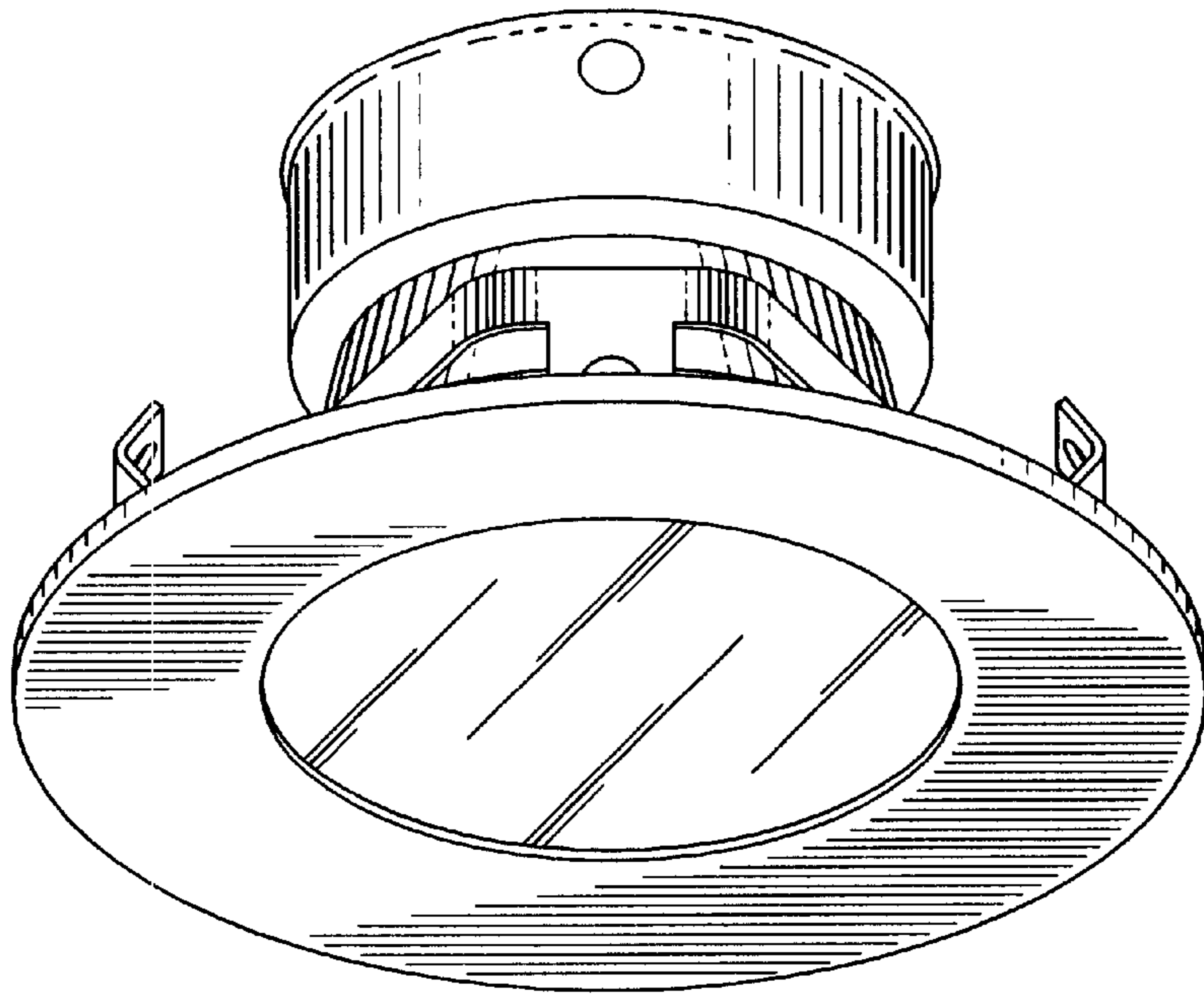


FIG. 7

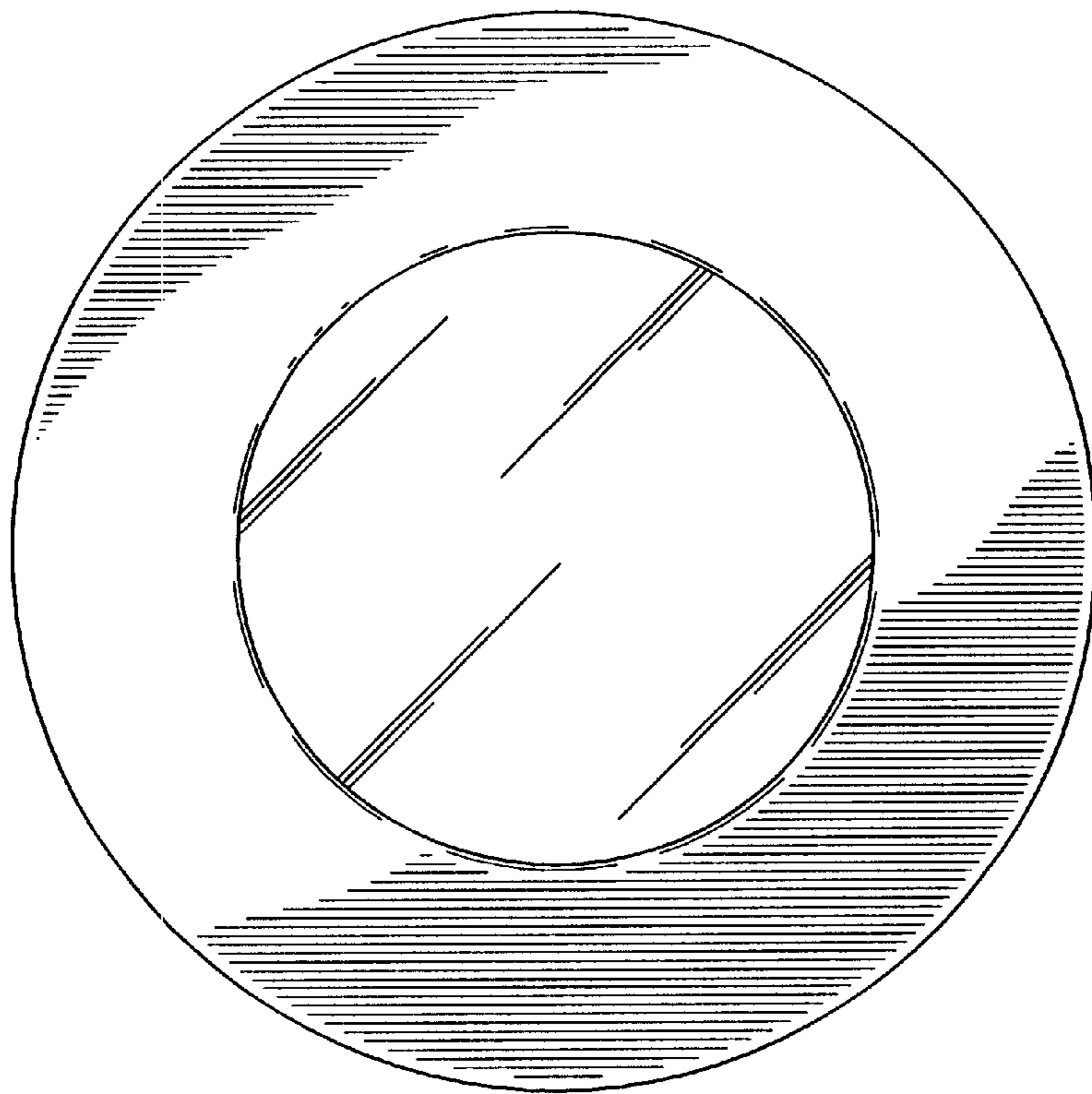


FIG. 8

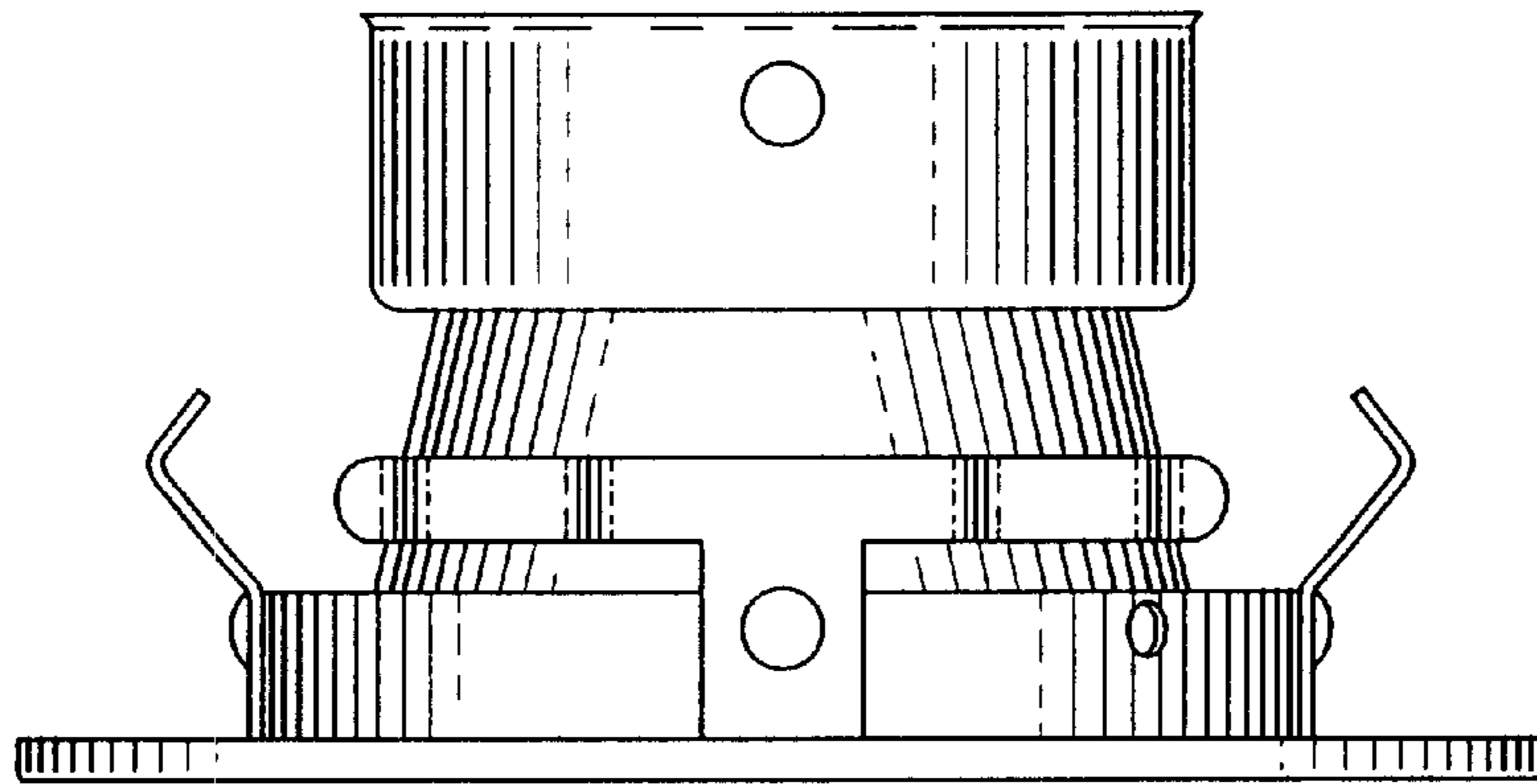


FIG. 9

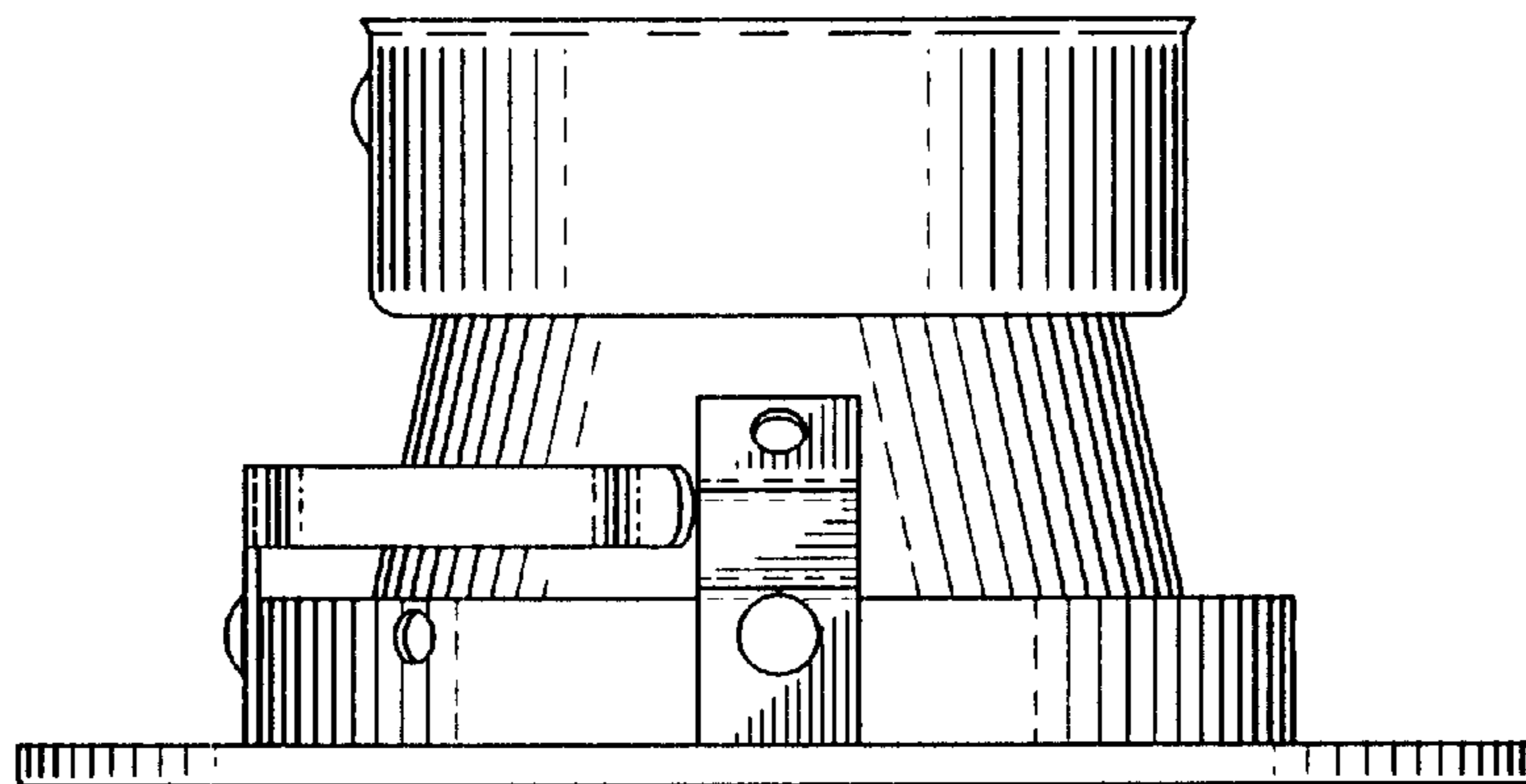


FIG. 10

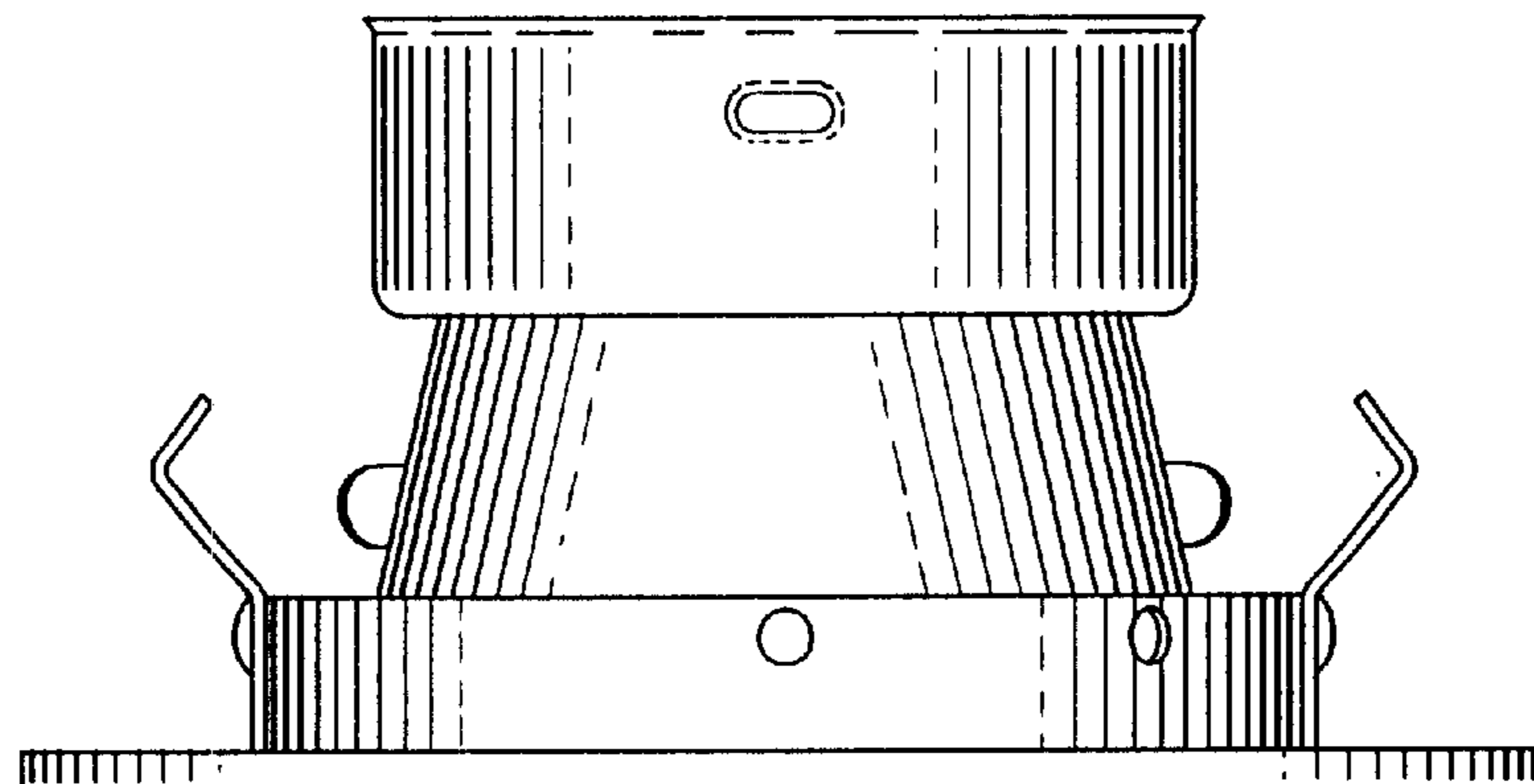


FIG. 11

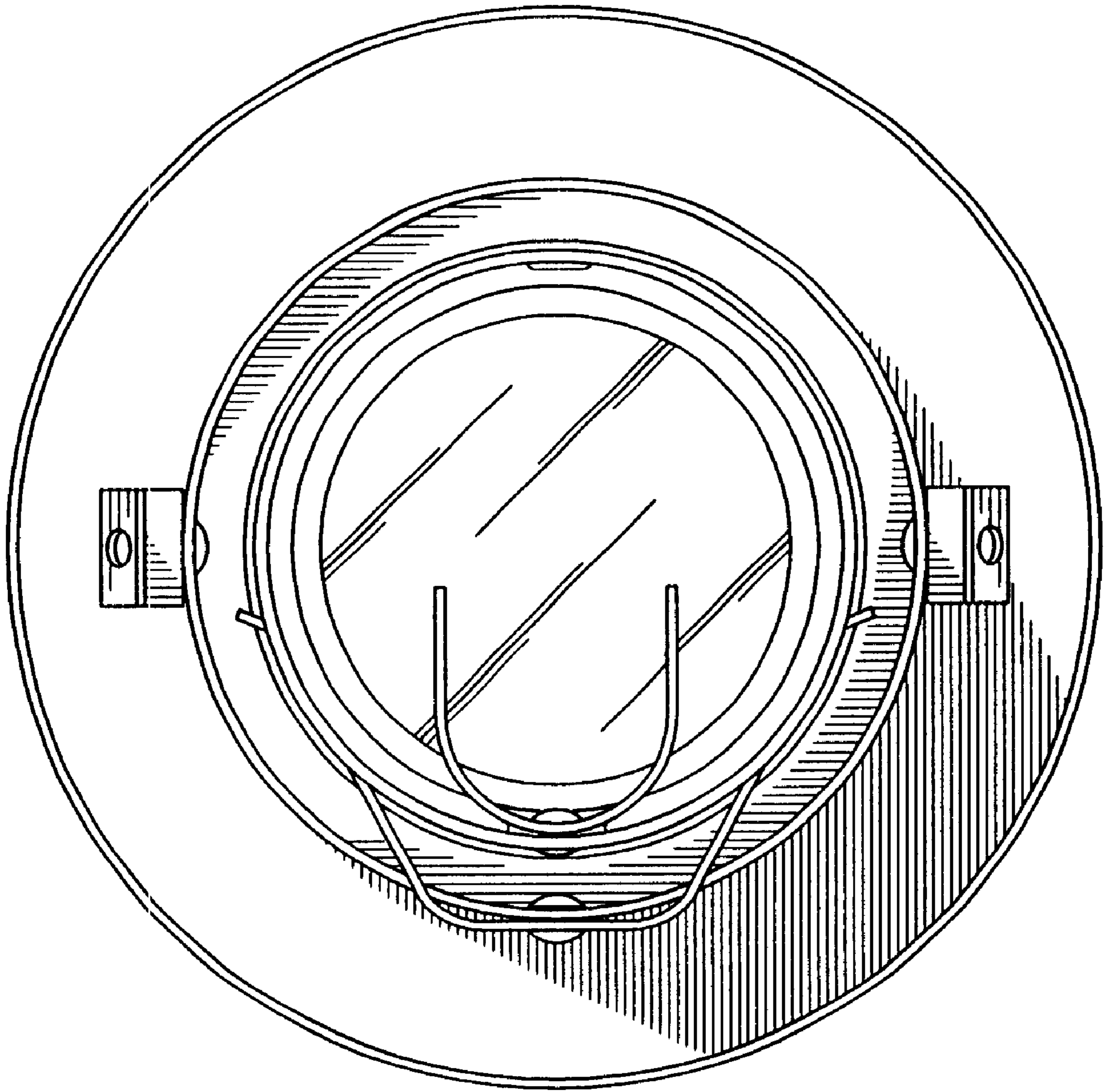


FIG. 12