



US00D476105S

(12) **United States Design Patent**  
**Alsobrook**

(10) **Patent No.:** **US D476,105 S**

(45) **Date of Patent:** **\*\* Jun. 17, 2003**

(54) **LIGHT FIXTURE**

(75) Inventor: **Gary Alsobrook**, Shelby, NC (US)

(73) Assignee: **Furnlite Inc.**, Fallston, NC (US)

(\*\*) Term: **14 Years**

(21) Appl. No.: **29/161,989**

(22) Filed: **Jun. 6, 2002**

(51) **LOC (7) Cl.** ..... **26-05**

(52) **U.S. Cl.** ..... **D26/51**

(58) **Field of Search** ..... D26/24, 37-50,  
D26/51; D10/104, 106; 362/226, 276, 295,  
394, 410, 802

(56) **References Cited**

**U.S. PATENT DOCUMENTS**

D331,978 S	*	12/1992	Ito	.....	D26/28
D417,923 S	*	12/1999	Chiu	.....	D26/51
D424,019 S	*	5/2000	Yu	.....	D26/51

\* cited by examiner

*Primary Examiner*—Marcus A. Jackson

(74) *Attorney, Agent, or Firm*—Smith Moore LLP

(57) **CLAIM**

The ornamental design for a light fixture, as shown and described.

**DESCRIPTION**

FIG. 1 is a perspective view of the light fixture as seen from above.

FIG. 2 is a perspective view of the light fixture as seen from below.

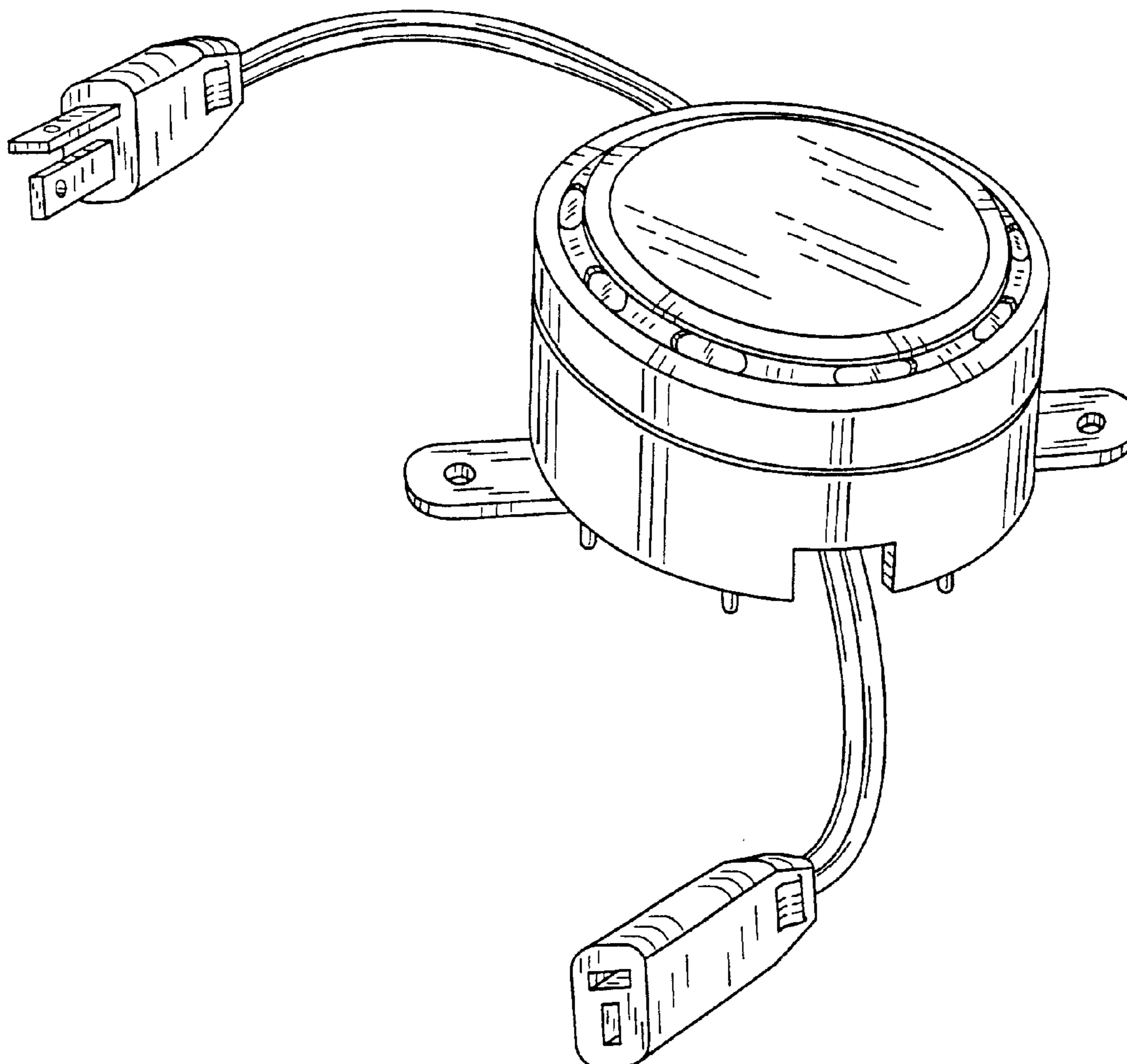
FIG. 3 is a top plan view of the light fixture.

FIG. 4 is a bottom plan view of the light fixture.

FIG. 5 is a front elevational view of the light fixture, the rear being a mirror image thereof; and,

FIG. 6 is a side elevational view of the light fixture, the opposite side being a mirror image thereof.

**1 Claim, 4 Drawing Sheets**



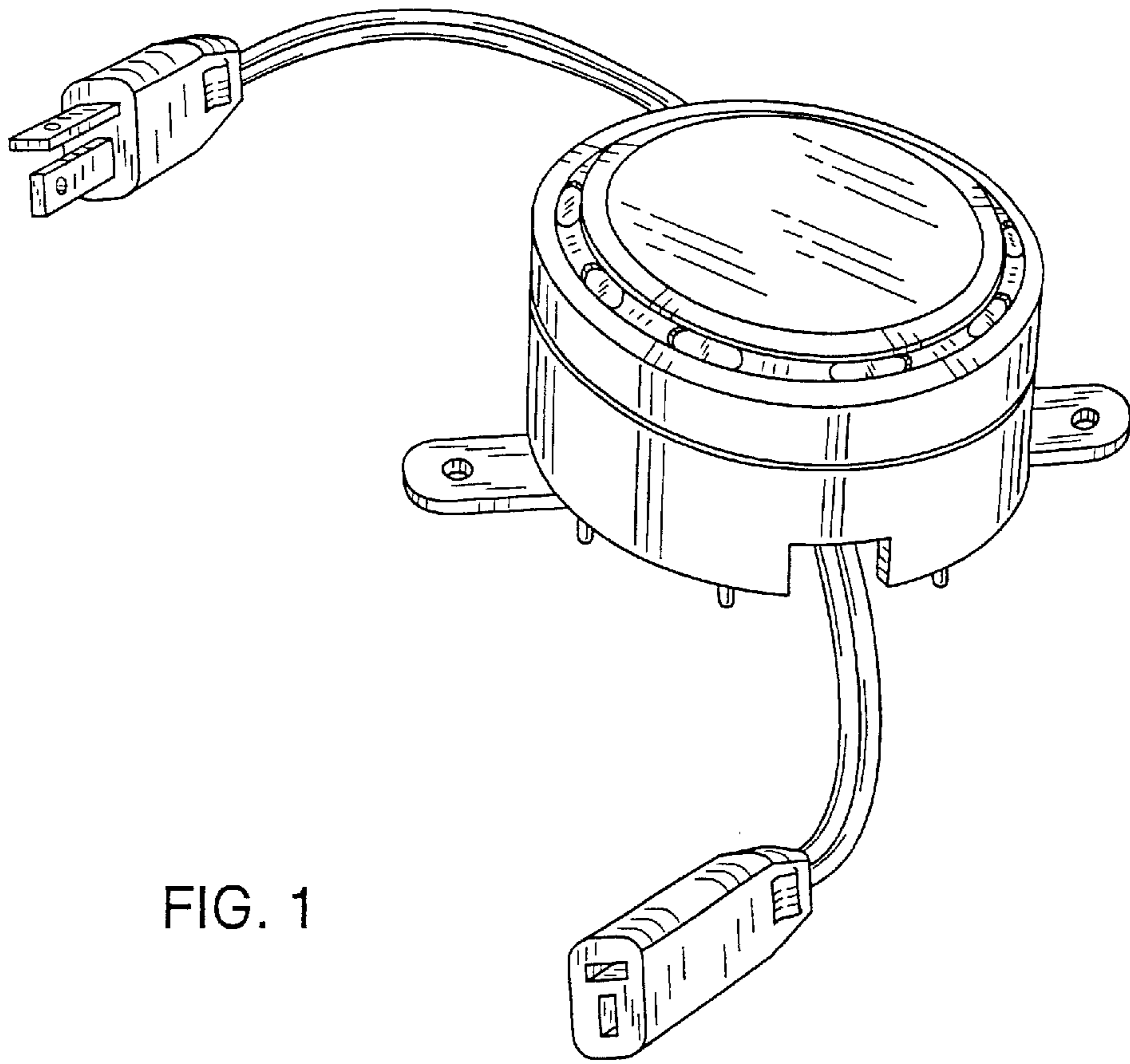


FIG. 1

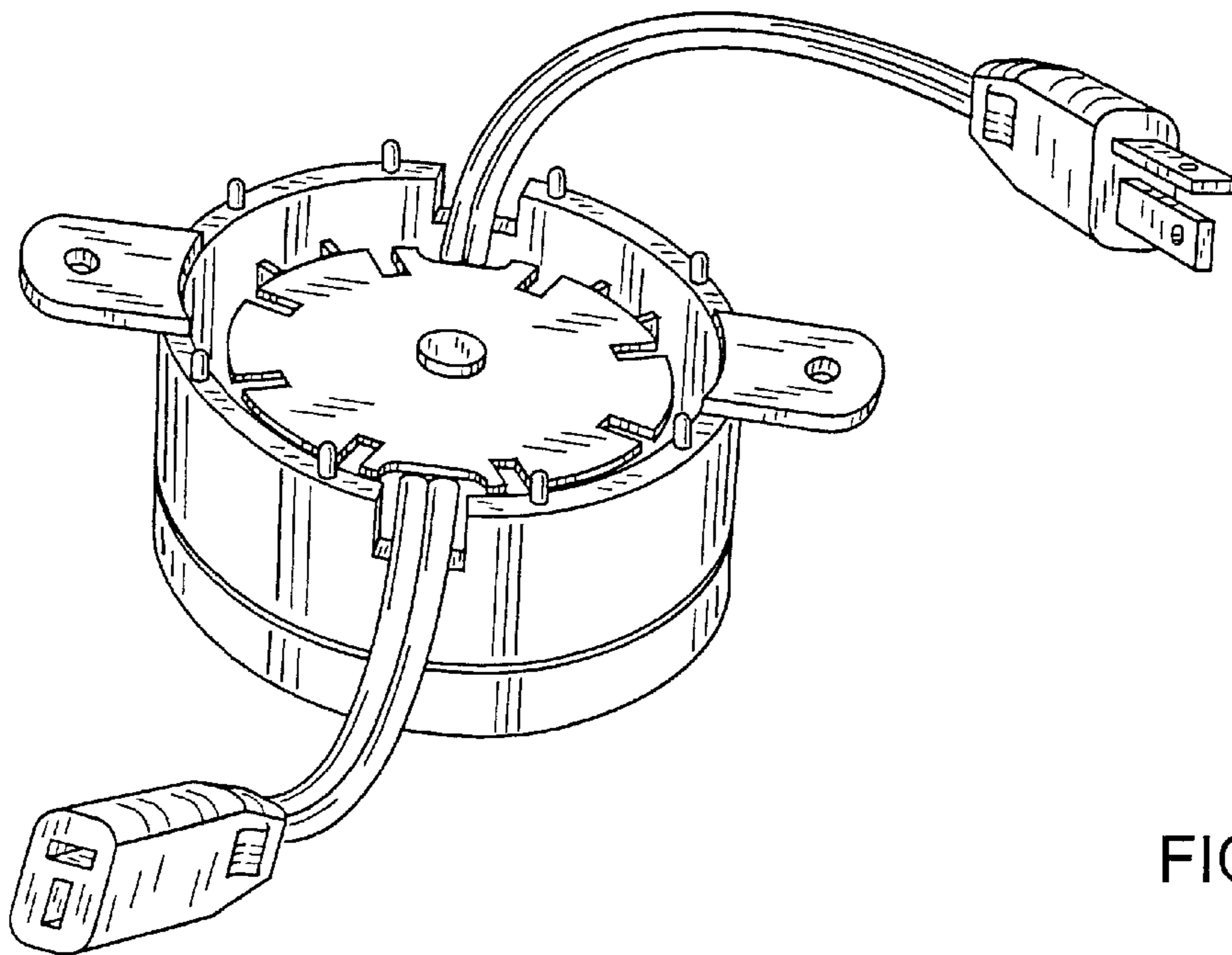


FIG. 2

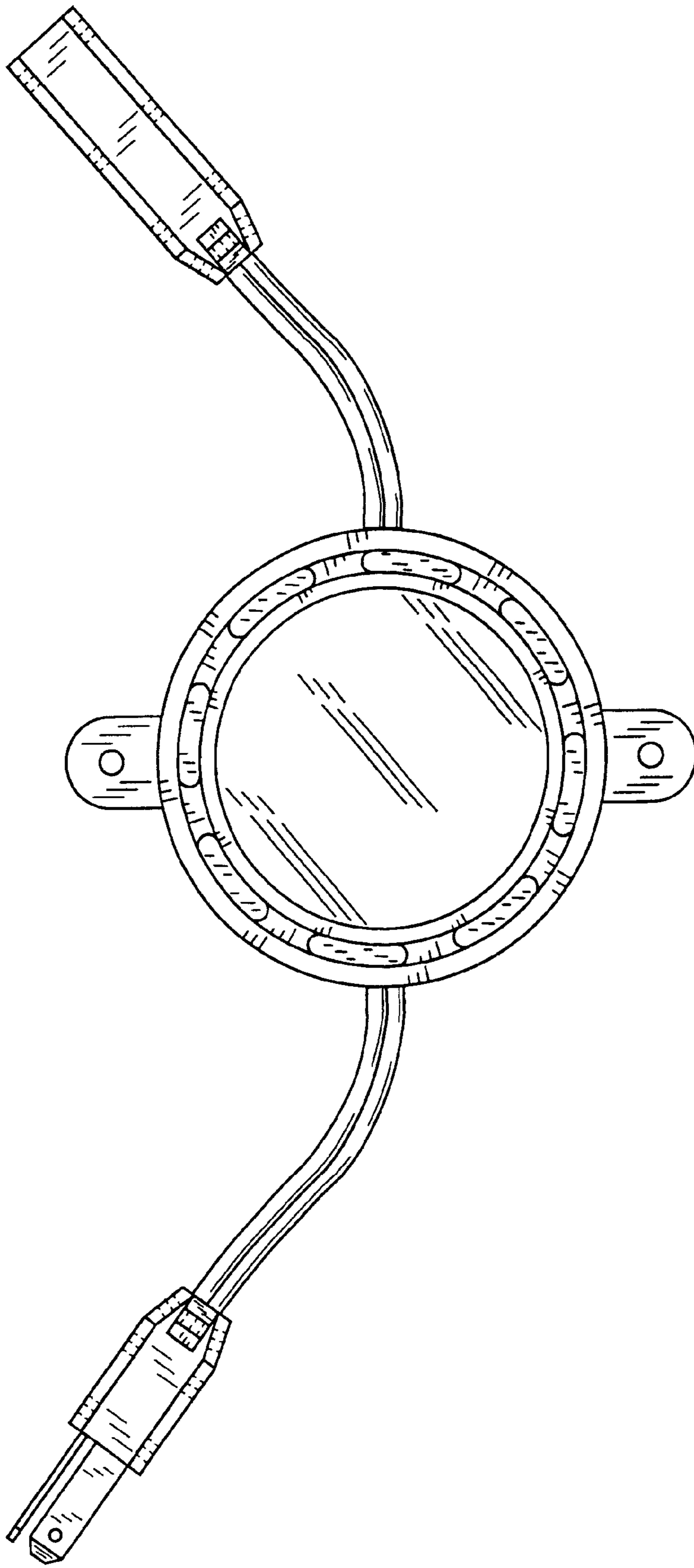


FIG. 3

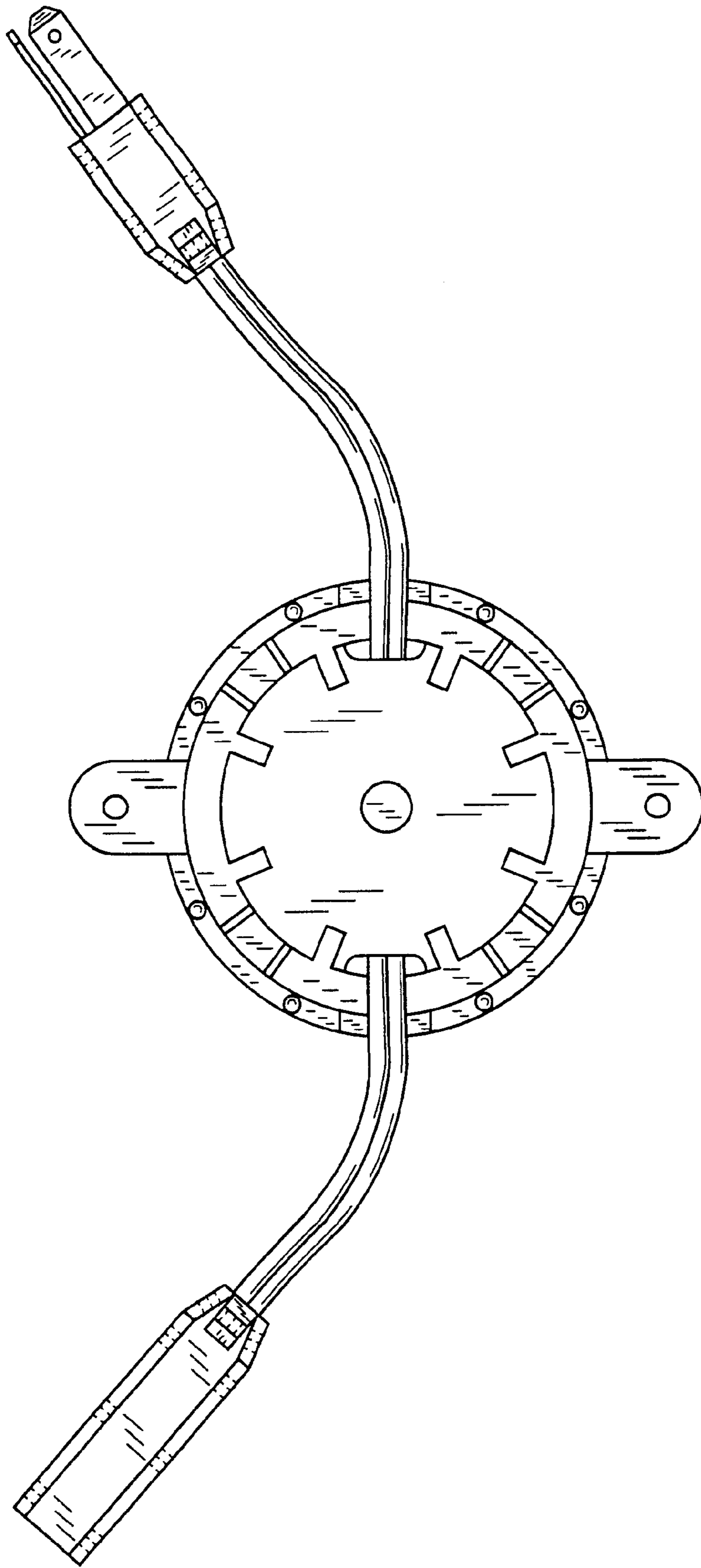


FIG. 4

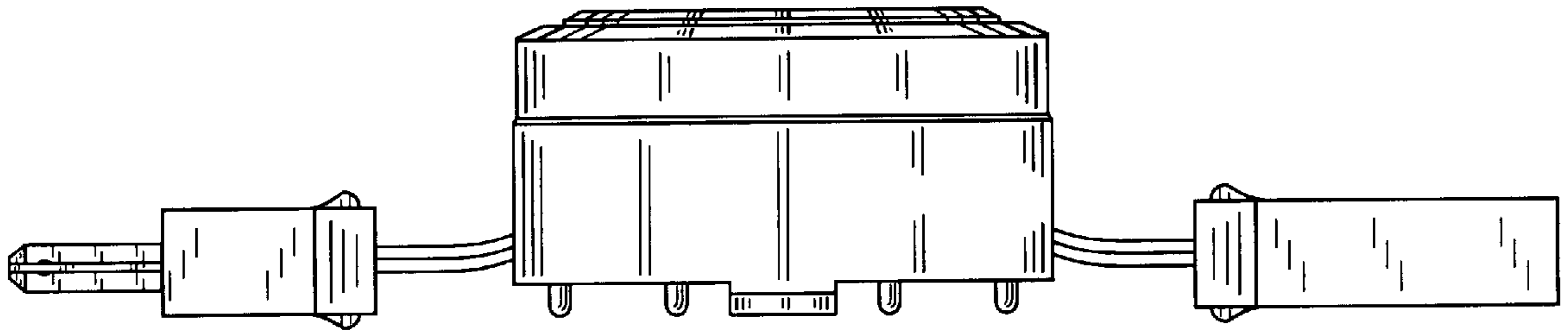


FIG. 5

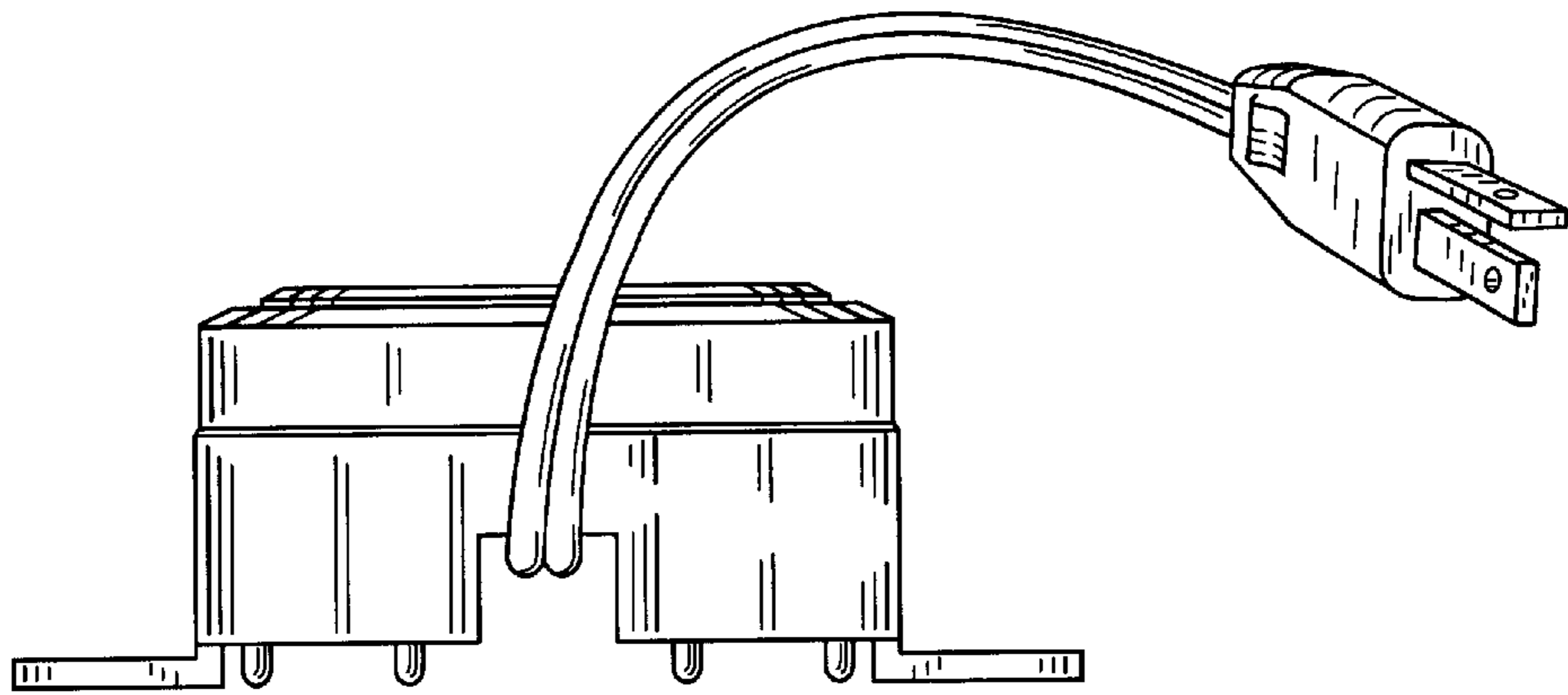


FIG. 6