



US00D476102S

(12) **United States Design Patent**
Ciavolino

(10) **Patent No.:** **US D476,102 S**

(45) **Date of Patent:** **** Jun. 17, 2003**

(54) **POCKET LIGHT**

(76) Inventor: **Maria Rosaria Ciavolino**, 1595-7 N.
Central Ave., Valley Stream, NY (US)
11580

(**) Term: **14 Years**

(21) Appl. No.: **29/168,036**

(22) Filed: **Sep. 26, 2002**

(65) **Prior Publication Data**

(65)

(51) **LOC (7) Cl.** **26-02**

(52) **U.S. Cl.** **D26/37**

(58) **Field of Search** D26/37-50; 362/157,
362/158, 171, 173, 181-208

(56) **References Cited**

U.S. PATENT DOCUMENTS

4,091,443 A 5/1978 Ohrenstein

4,742,438 A 5/1988 King
4,912,611 A 3/1990 Lyle
4,954,934 A 9/1990 Kidder
D381,099 S * 7/1997 Yuen D26/37
D466,636 S * 12/2002 Chun D26/37

* cited by examiner

Primary Examiner—Marcus A. Jackson

(74) *Attorney, Agent, or Firm*—Richard L. Mikesell

(57) **CLAIM**

The ornamental design for a pocket light, as shown and described.

DESCRIPTION

FIG. 1 Top right front perspective view.
FIG. 2 Top right left rear perspective view.
FIG. 3 Front elevation
FIG. 4 Rear elevation
FIG. 5 Left end elevation; and,
FIG. 6 Right end elevation.

1 Claim, 1 Drawing Sheet

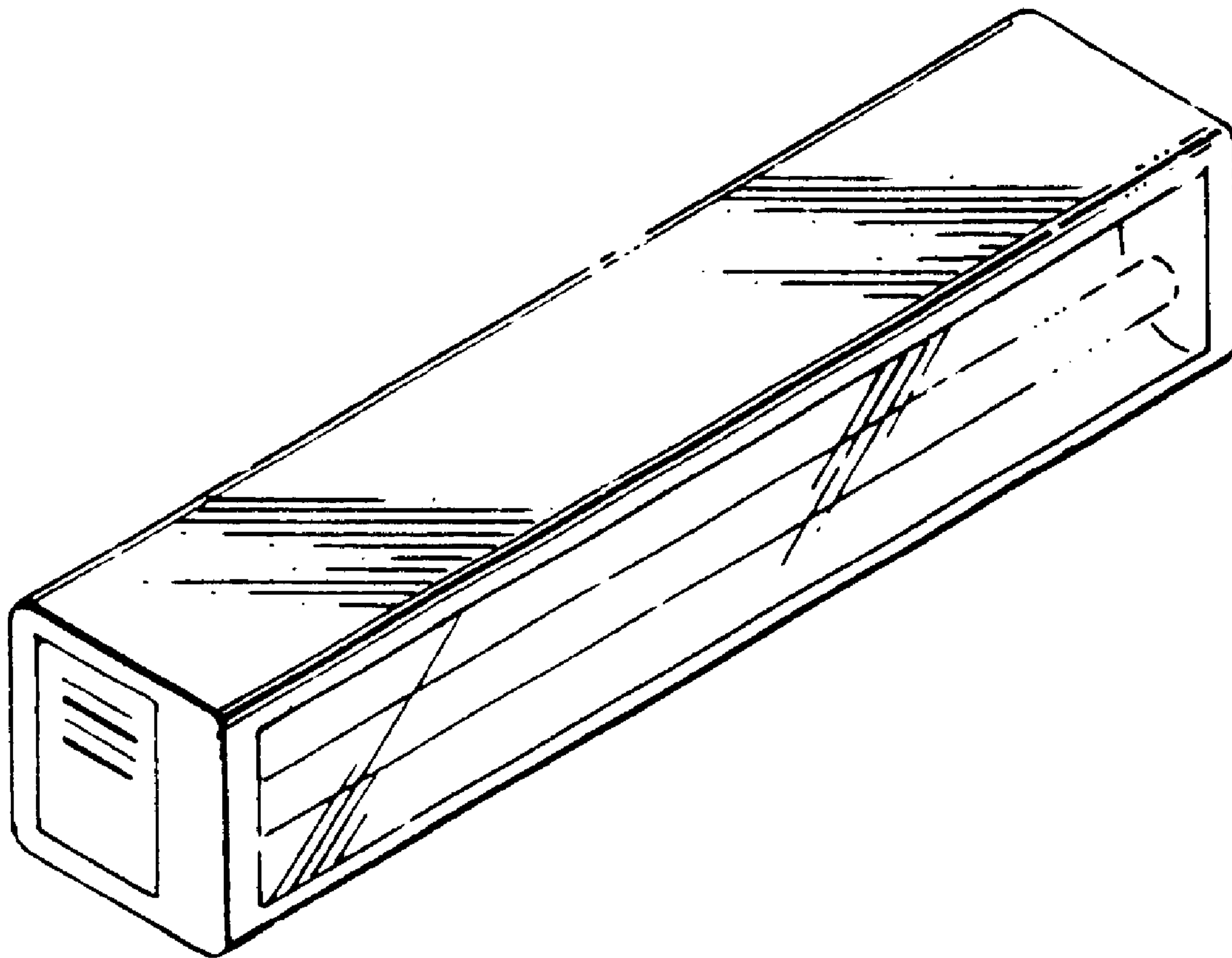


FIG. 1

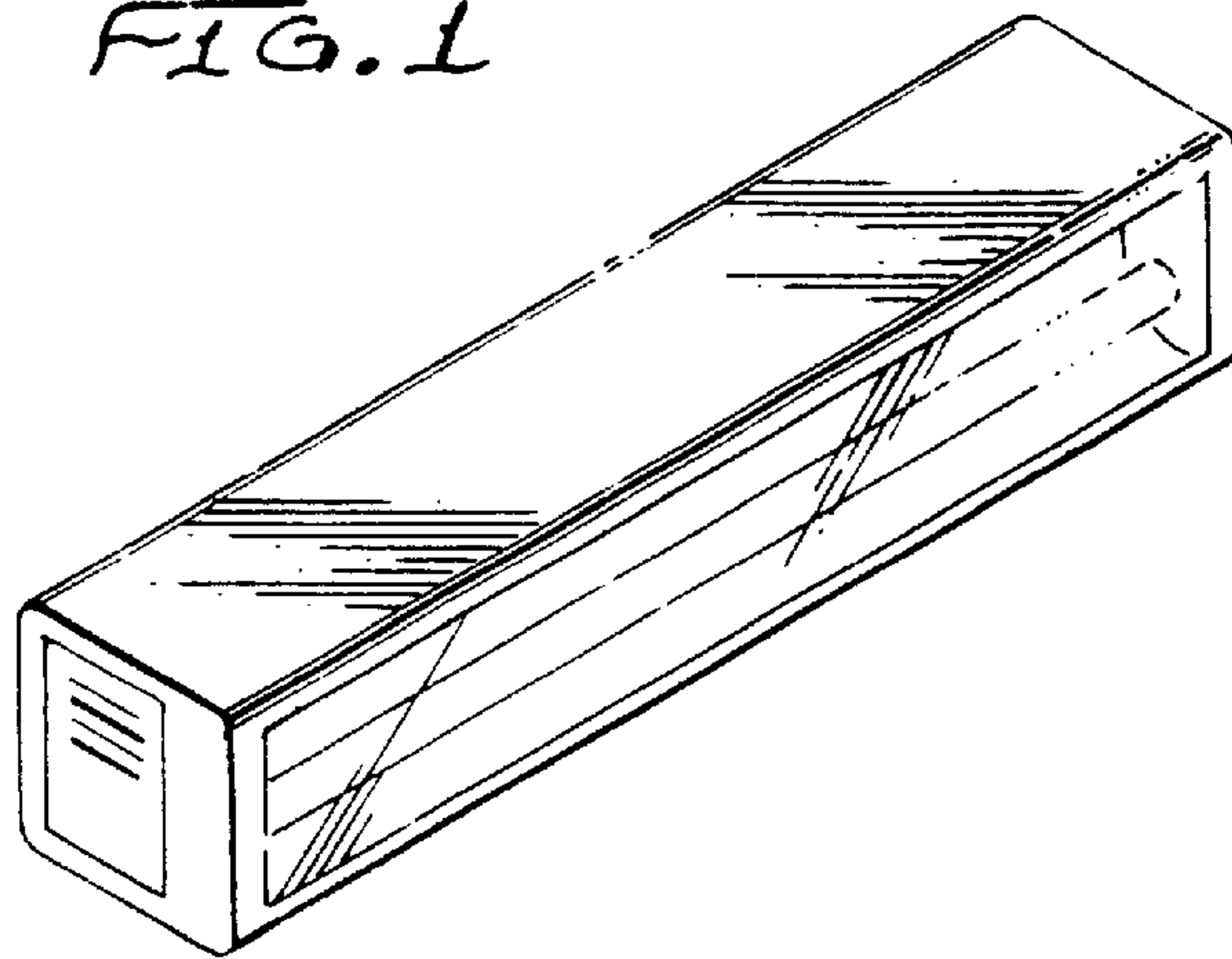


FIG. 2

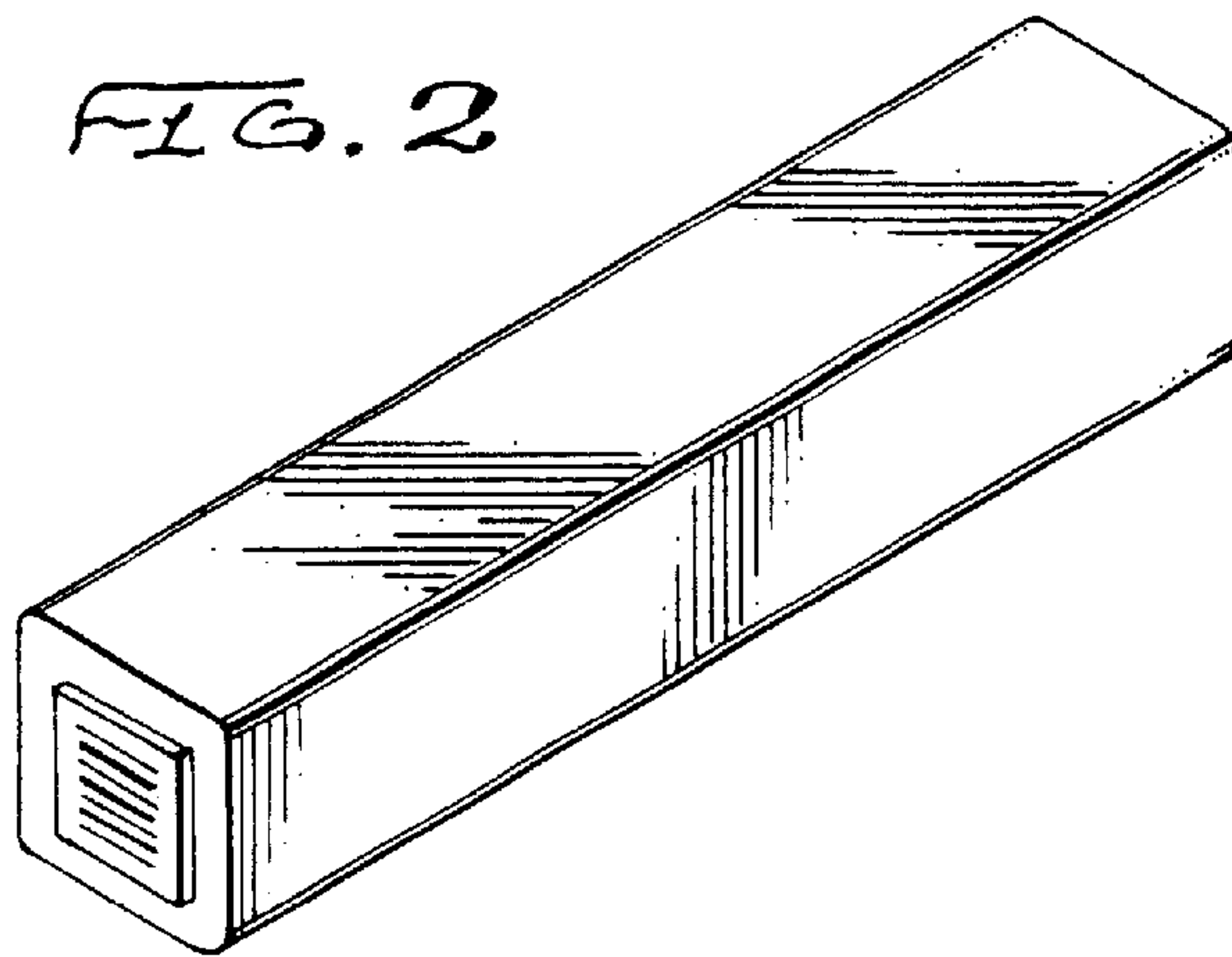


FIG. 3

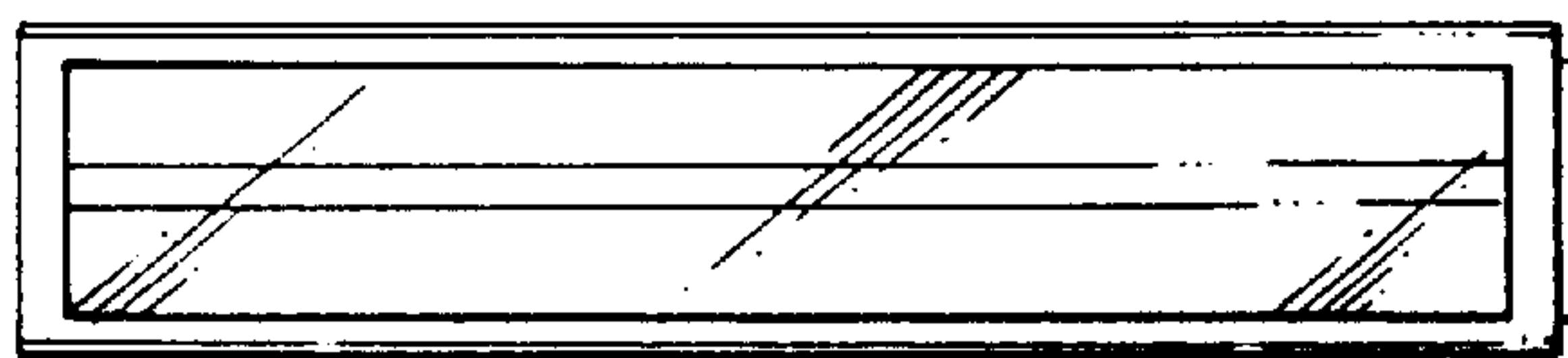


FIG. 4

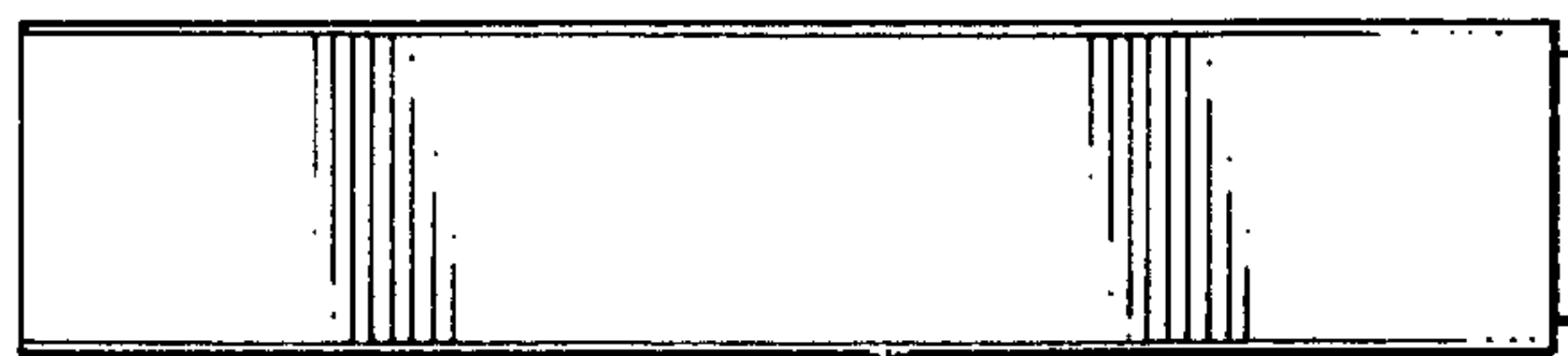


FIG. 5



FIG. 6