



US00D476092S

(12) **United States Design Patent**
Franson

(10) **Patent No.:** **US D476,092 S**

(45) **Date of Patent:** **** Jun. 17, 2003**

(54) **WINDOW COMPONENT EXTRUSION**

(75) Inventor: **Jeffrey R. Franson**, Maple Valley, WA
(US)

(73) Assignee: **Mikron Industries, Inc.**, Kent, WA
(US)

(**) Term: **14 Years**

(21) Appl. No.: **29/174,213**

(22) Filed: **Jan. 13, 2003**

Related U.S. Application Data

(62) Division of application No. 29/153,789, filed on Jan. 11, 2002, now Pat. No. Des. 470,248.

(51) **LOC (7) Cl.** **25-01**

(52) **U.S. Cl.** **D25/124; D25/125**

(58) **Field of Search** D25/124, 121,
D25/122; 52/204.5, 204.1, 204.51, 230.3,
202, 730.5, 731, 738, 732, 204.53; 49/DIG. 2,
504, 505, 404, 413, 407, 408, 409

(56) **References Cited**

U.S. PATENT DOCUMENTS

D366,333 S	1/1996	Franson	D25/124
D369,419 S	4/1996	Franson	D25/125
D417,507 S	* 12/1999	Oliver	D25/124
D420,151 S	2/2000	Franson	D25/124

* cited by examiner

Primary Examiner—Doris Clark

(74) *Attorney, Agent, or Firm*—Seed IP Law Group PLLC

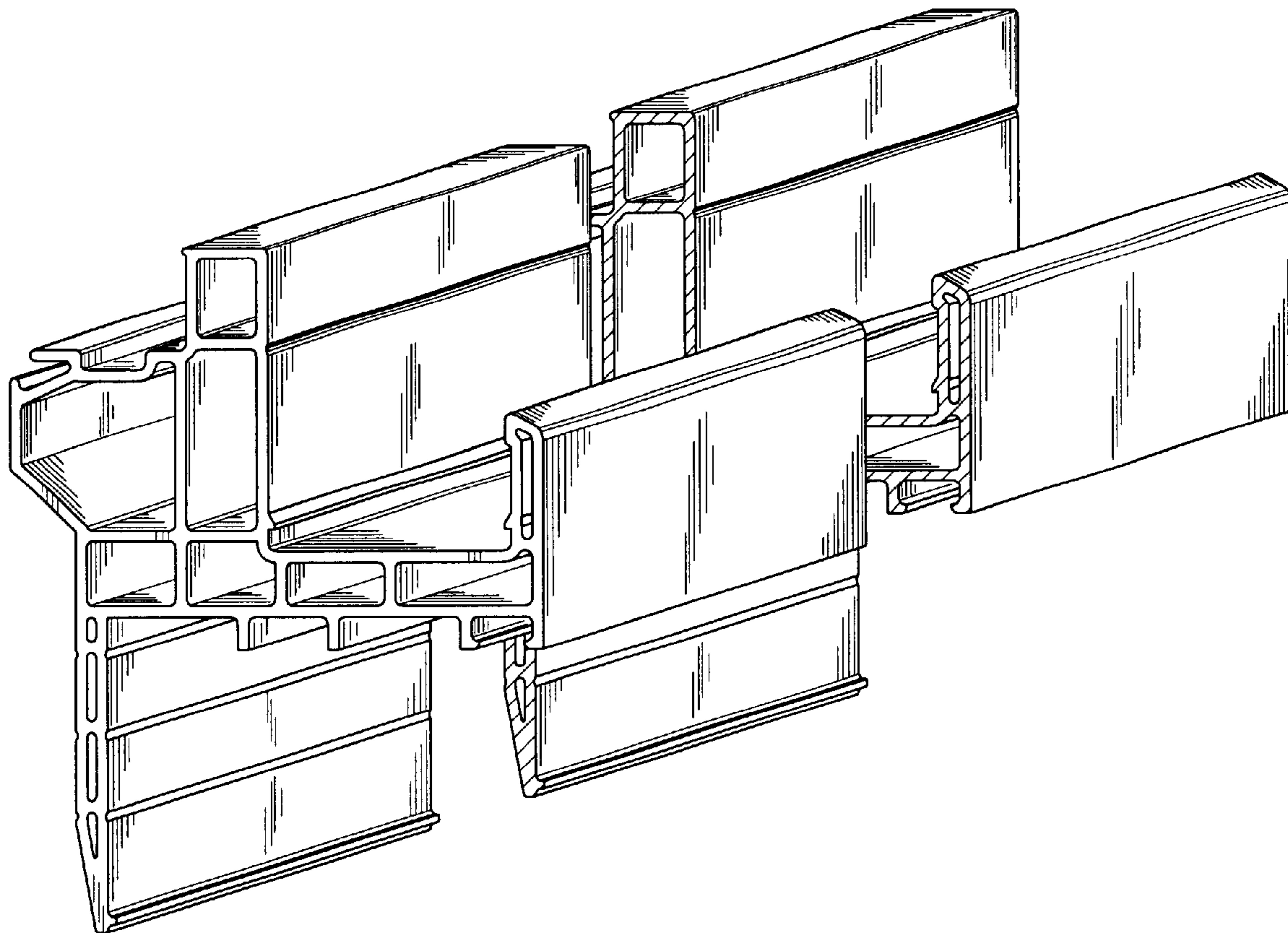
(57) **CLAIM**

The ornamental design for a window component extrusion, as shown and described.

DESCRIPTION

FIG. 1 is a top right perspective view of the window component extrusion which is broken in the center indicating indefinite length; and, FIG. 2 is a bottom left perspective view of the window component extrusion shown in FIG. 1.

1 Claim, 1 Drawing Sheet



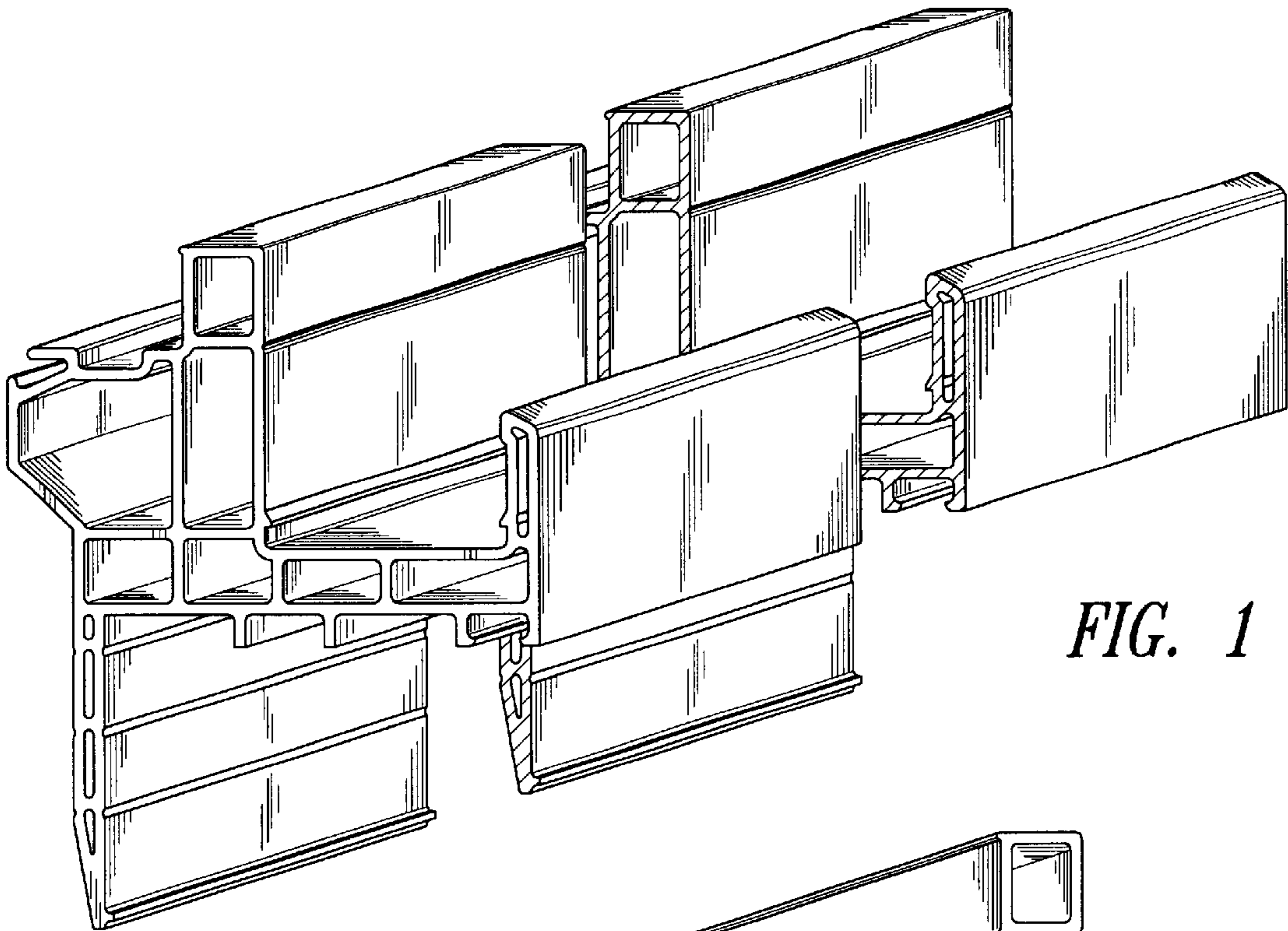


FIG. 1

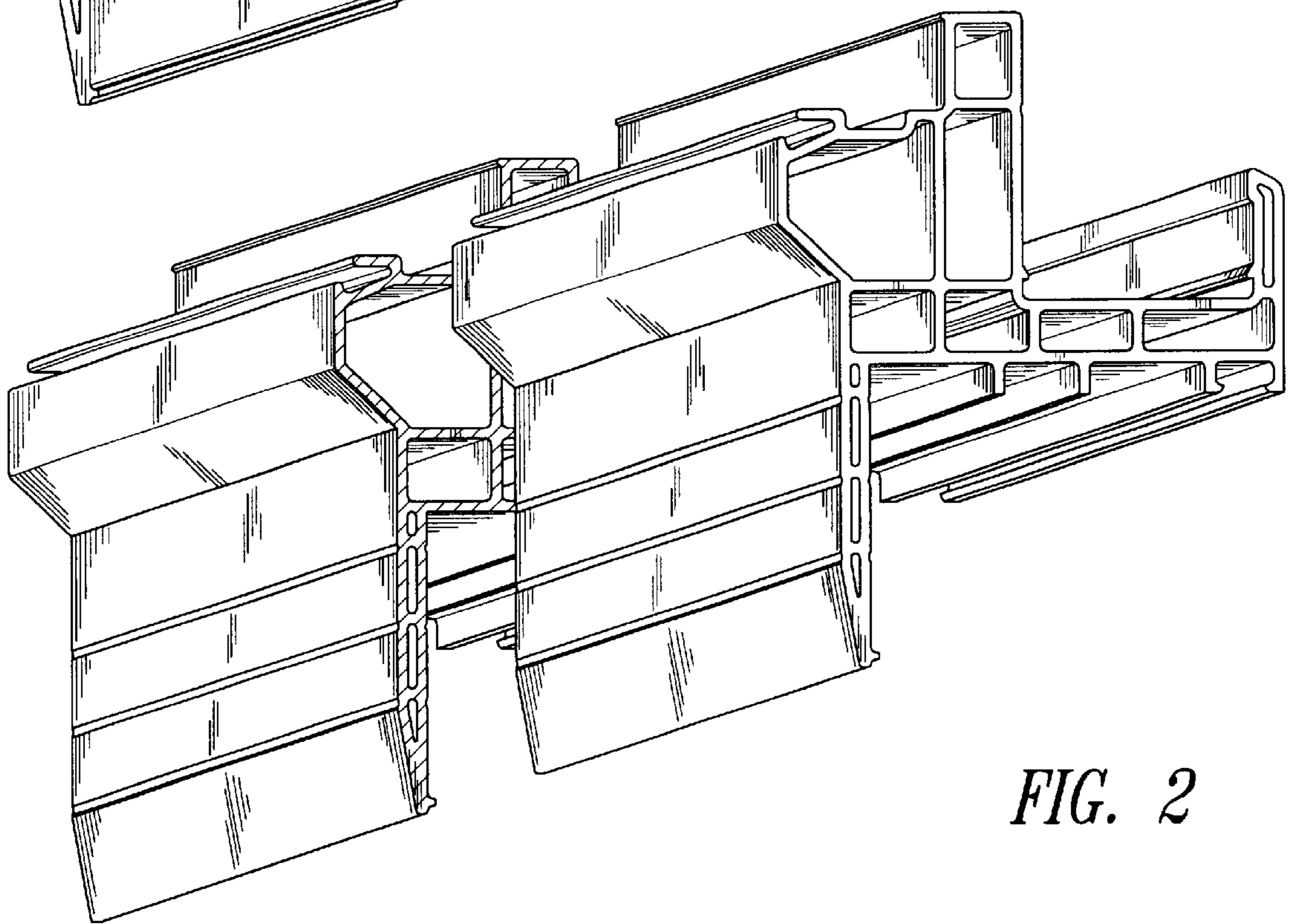


FIG. 2