



US00D476090S

(12) **United States Design Patent**
Franson

(10) **Patent No.:** **US D476,090 S**

(45) **Date of Patent:** **** Jun. 17, 2003**

(54) **WINDOW COMPONENT EXTRUSION**

(75) Inventor: **Jeffrey R. Franson**, Maple Valley, WA
(US)

(73) Assignee: **Mikron Industries, Inc.**, Kent, WA
(US)

(**) Term: **14 Years**

(21) Appl. No.: **29/174,072**

(22) Filed: **Jan. 9, 2003**

Related U.S. Application Data

(62) Division of application No. 29/153,703, filed on Jan. 11, 2002, now Pat. No. Des. 469,887.

(51) **LOC (7) Cl.** **25-01**

(52) **U.S. Cl.** **D25/124; D25/125**

(58) **Field of Search** D25/124, 121,
D25/122; 52/204.5, 204.1, 205.51, 230.3,
205.1, 202, 730.5, 731, 738, 732, 204.53;
49/DIG. 2, 504, 505, 404, 413, 407, 408,
419

(56) **References Cited**

U.S. PATENT DOCUMENTS

D351,032 S 9/1994 Cole D25/124

D362,917 S	10/1995	Hosseini	D25/124
D404,149 S	1/1999	Jarrell	D25/124
D417,507 S	* 12/1999	Oliver	D25/124
D437,424 S	2/2001	Habeck et al.	D25/124
D438,642 S	3/2001	Ballard et al.	D25/124

* cited by examiner

Primary Examiner—Doris Clark

(74) *Attorney, Agent, or Firm*—Seed IP Law Group PLLC

(57) **CLAIM**

The ornamental design for a window component extrusion, as shown and described.

DESCRIPTION

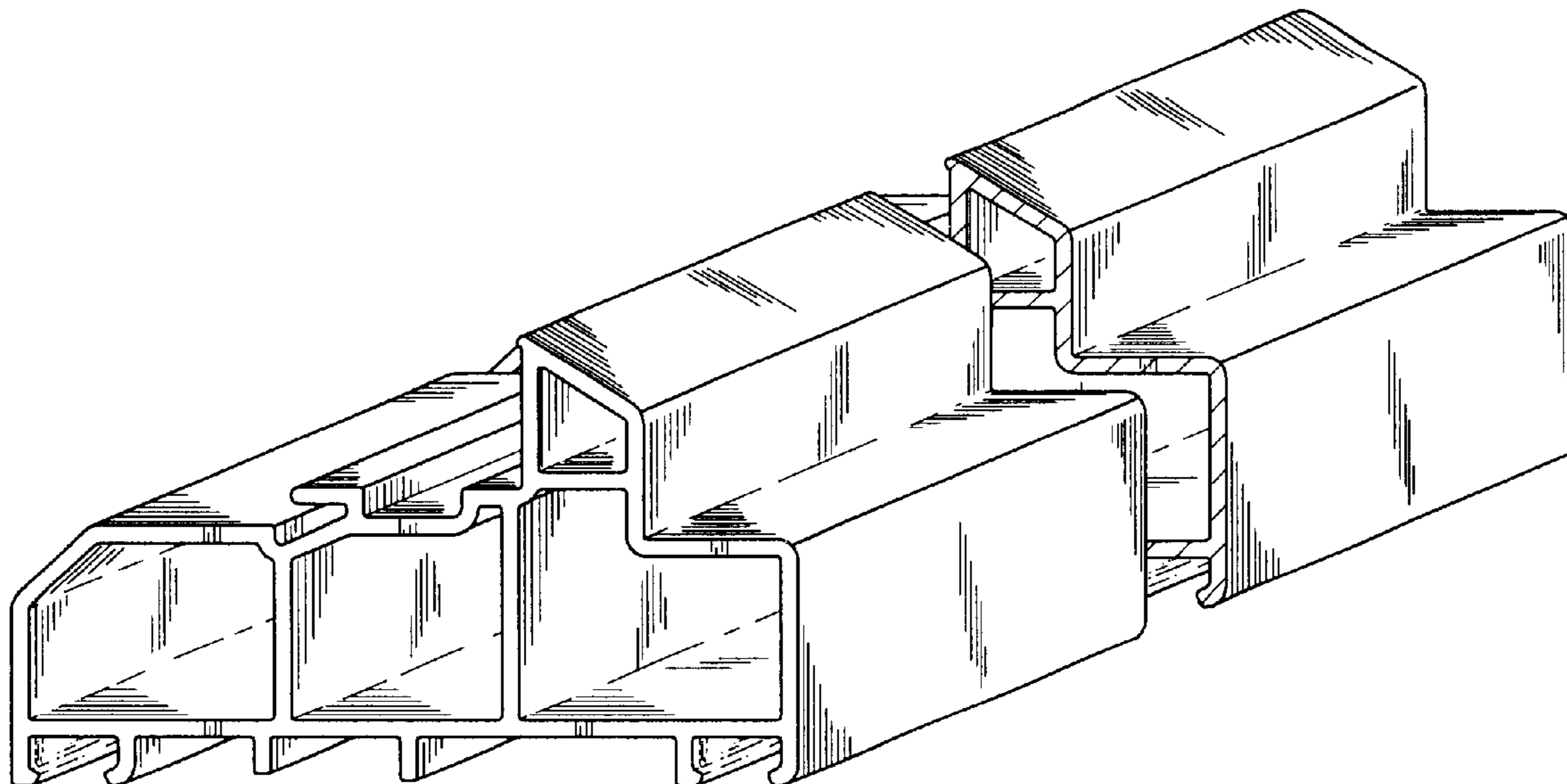
FIG. 1 is a top right perspective view of a first embodiment of the window component extrusion which is broken in the center indicating indefinite length.

FIG. 2 is a bottom left perspective view of the window component extrusion shown in FIG. 1.

FIG. 3 is a top right perspective view of a second embodiment of the window component extrusion which is broken in the center indicating indefinite length; and,

FIG. 4 is a bottom left perspective view of the window component extrusion shown in FIG. 3.

1 Claim, 2 Drawing Sheets



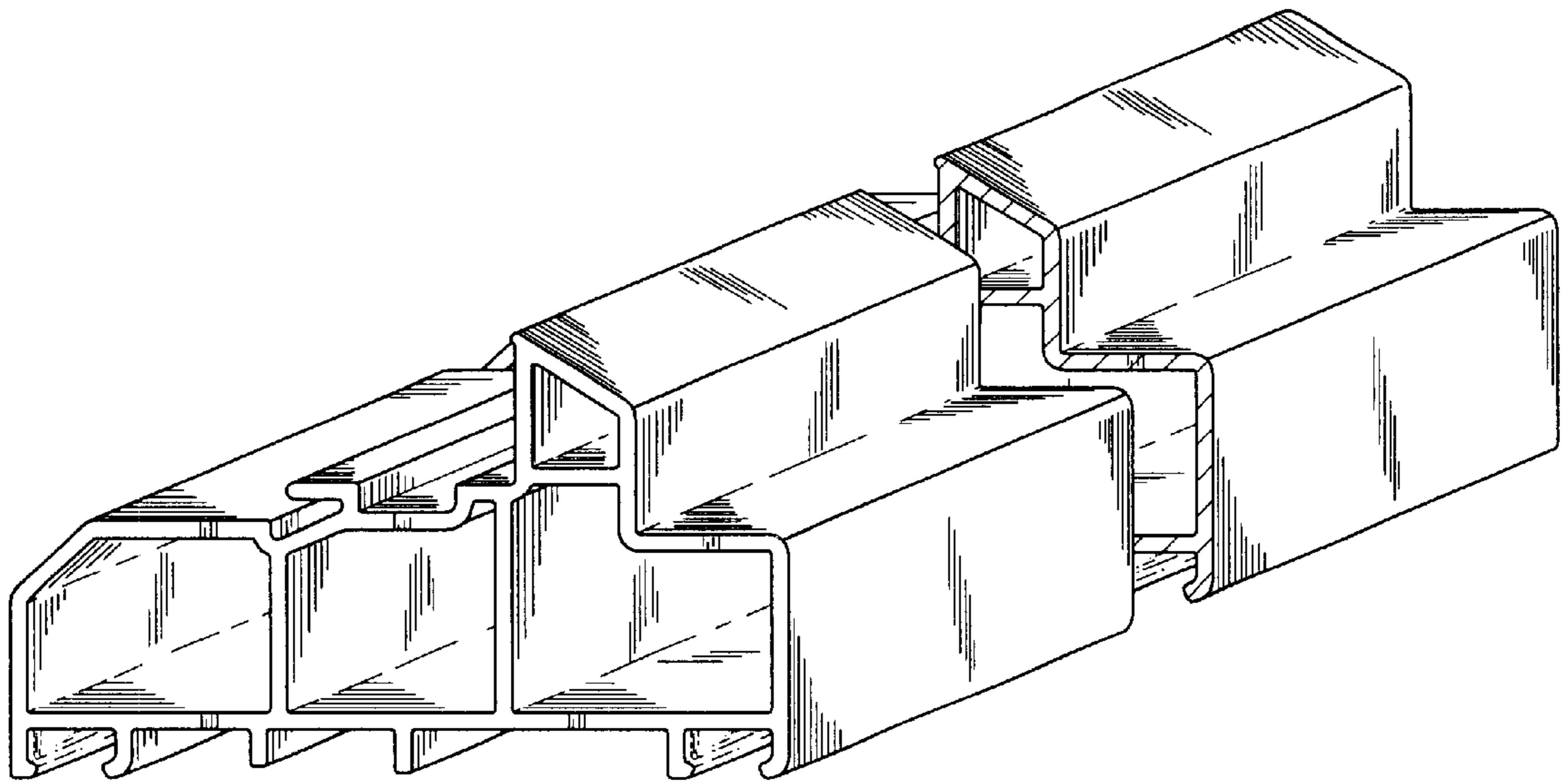


FIG. 1

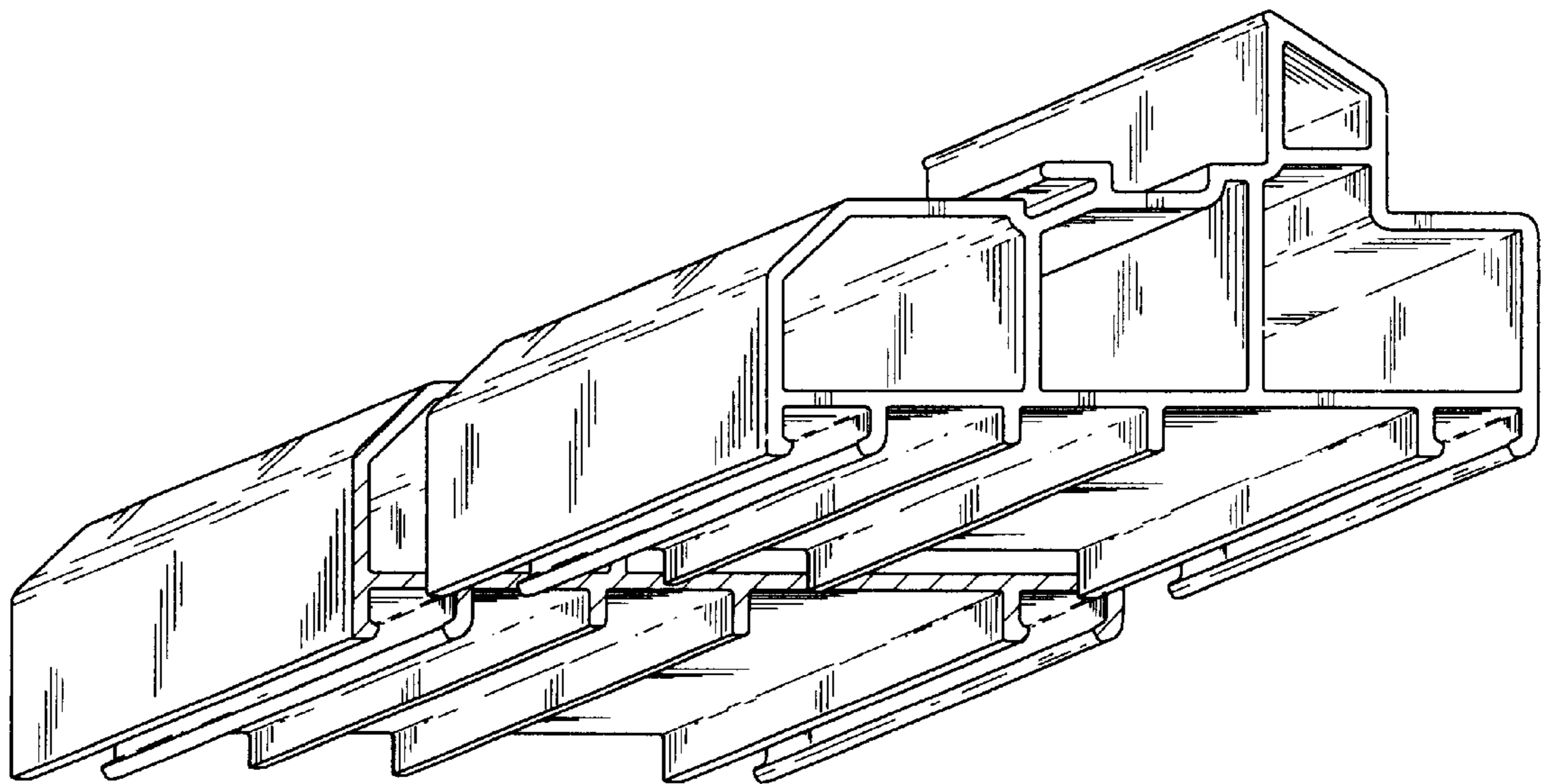


FIG. 2

FIG. 3

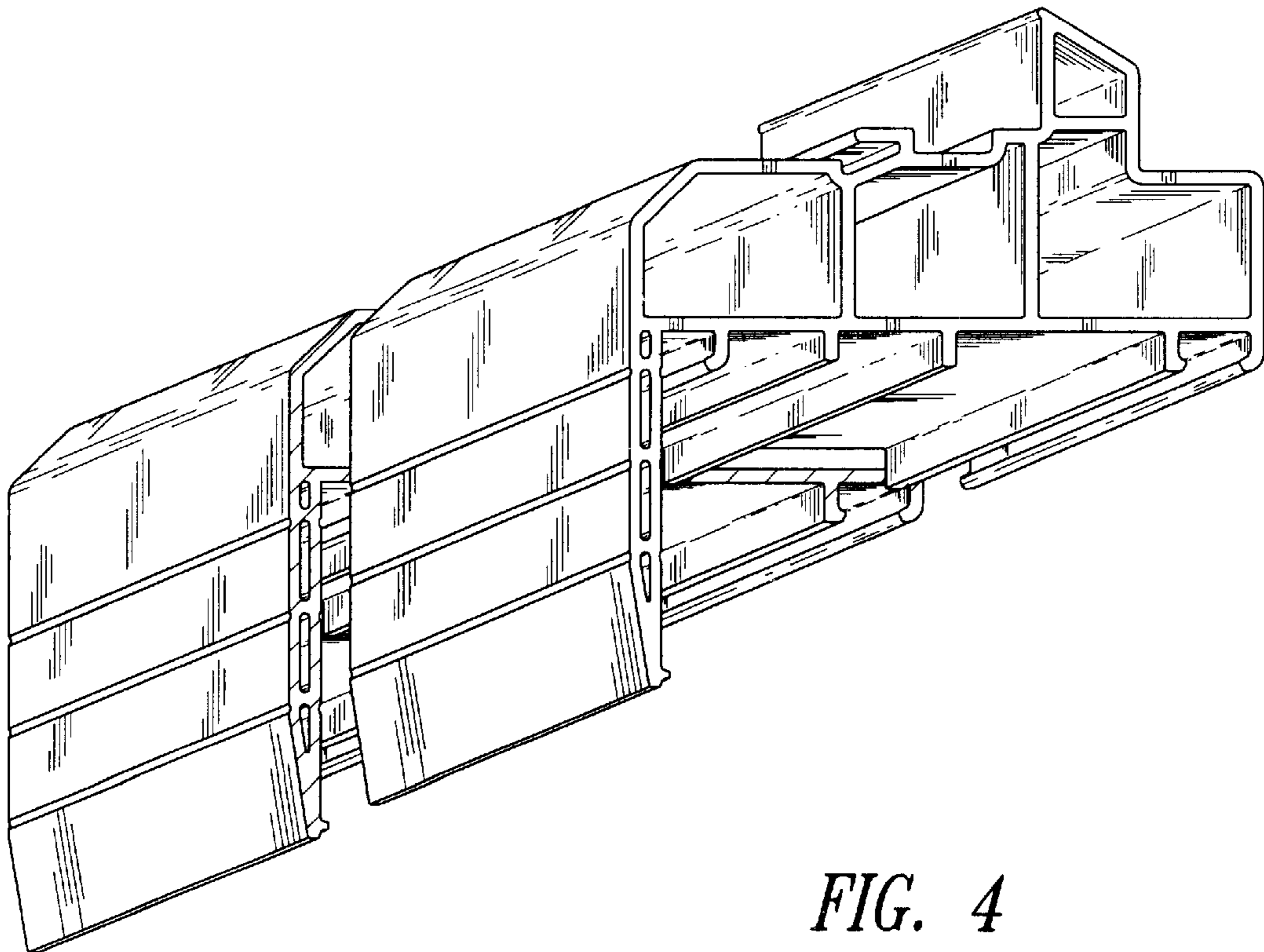
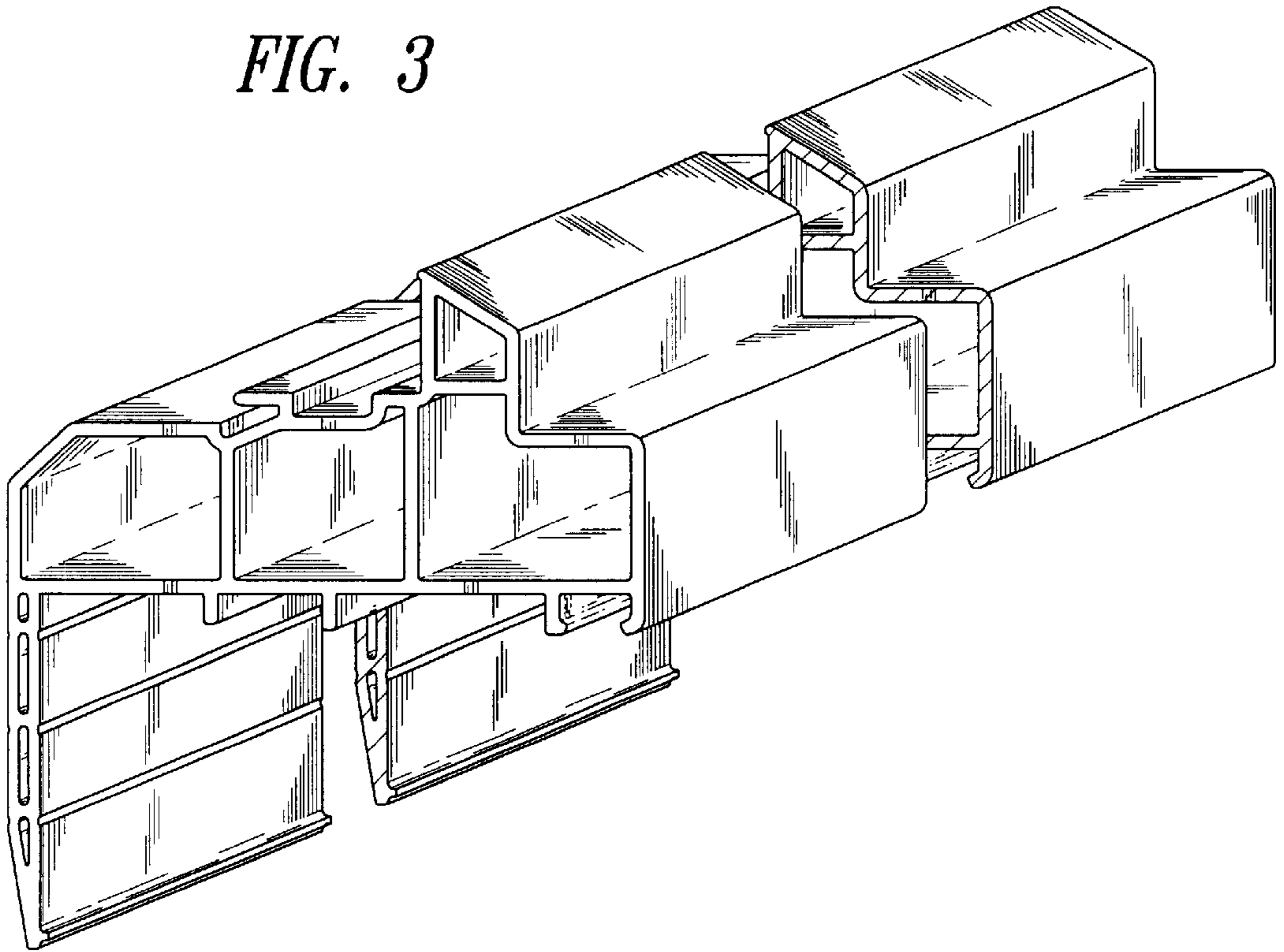


FIG. 4